

John Deere > Turf And Utility >TRACTOR, LAWN AND GARDEN >X140 - TRACTOR, LAWN AND GARDEN >X140 Tractor (100 Series) with 48-Inch Mower Deck >20 ENGINE GU21173, GU21176, GU21178  
 >ST245079 - CYLINDER BLOCK AND DIPSTICK

KEY	PART NO.	PART NAME	QTY	Serial No.	REMARKS
1	UC11104	DIPSTICK	1		SUB FOR LG499602
1	MIU13965	COVER	1		(Not Illustrated) USE WITH MIA12443; SUB FOR LG499602
2	LG691031	O-RING	1		
3	LG691036	DIPSTICK	1		
4	LG691032	SEAL	1		
5	LG691037	OIL TUBE	1		
6	M153266	SCREW	1		
7	LG391086S	SEAL	1		
8	MIA11778	SEAL KIT	1		(Sub For LG499585)
9	LG690959	DOWEL PIN	6		
10	MIA10607	CYLINDER	1		NLA; ORDER MIA11033
10	MIA11033	CYLINDER	1		ORDER MIA12510
10	MIA13076	CYLINDER	1		SUB FOR MIA12510
10	MIA11345	CYLINDER	1		ORDER MIA12493
10	MIA13087	CYLINDER BLOCK	1		SUB FOR APPL MIA12493
11	MIU14436	GASKET	1		SUB FOR M150226 AND MIU13979; Crankcase
12	LG690770	SCREEN	1		(A)
12	MIU12140	SCREEN	1		USE WITH MIA11414 And MIA11584
13	LG691680	DRAIN PLUG	1		(A) (Engine Marked 441677-0113-E1, 0131-E1)
13	15H623	PIPE PLUG	1		3/8", (Engine Marked 441677-0143-B1)
13	LG690946	DRAIN PLUG	1		(Use With MIA11414 And MIA11584)
14	LG690954	THREADED NIPPLE	1		(A)
15	15H638	PIPE PLUG	1		1/8", (A)
16	MIU11958	SEAL	1		(A) (Oil) (Sub For MIU11212)
17	MIU11284	SEAL	1		(A) Governor Shaft
18	M142281	BUSHING	1		(A); NLA; ORDER MIU12503; Governor Crank
18	MIU12503	BUSHING	1		
19	AM134054	RESERVOIR	1		NLA, (Sub MIA11584 (Includes Parts Marked (A)))
19	MIA11584	RESERVOIR	1		(Sub For MIA11460)(Also Includes MIU12143, MIA11464 And (3) MIU12142)
20	AM125424	OIL FILTER	1		
21	LG690957	RETAINER	1		
22	MIU11502	BREATHER	1		(Sub For LG690956)

KEY	PART NO.	PART NAME	QTY	Serial No.	REMARKS
23	LG691108	SCREW	3	____-023204	8 X 1/2
23	37H74	SCREW	3	023205-____	
24	MIU14443	TUBE	1		SUB FOR MIU11280
25	LG690937	GASKET	1		(Engine Marked 441677-0113-E1, 0131-E1)
25	.....	LIQUID GASKET	1		(Engine Marked 441677-0143-B1) (Make From M64850)
26	MIA10872	BREATHER	1		
27	M142896	SCREW	10		
28	LG691045	CRANK	1		Governor
29	M142282	BUSHING	2		
30	M142286	RETAINER	2		
31	M142280	WASHER	1		
32	GC00331	SCREW	4		NLA; ORDER GX24210; Engine Mounting
32	GX24210	SCREW	4		
33	AM131611	DRAIN PLUG	1		Oil Drain
34	.....	TUBE	1		
35	T77932	O-RING	1		
36	M144897	CAP	1		
37	PM37469	LIQUID GASKET	AR		
38	MIU12142	SCREW	1		USE WITH MIA12855
39	MIA11464	COVER	1		USE WITH MIA12855; Oil Pump
40	MIU12153	SEAL	1		USE WITH MIA12855
41	MIU12143	OIL PUMP	1		USE WITH MIA12855
42	MIA10807	GASOLINE ENGINE	1		MARKED 441677-0113-E1; Not Illustrated
42	MIA11020	GASOLINE ENGINE	1		NLA; MARKED 441677-0131-E1; ORDER MIA12443; SUB FOR MIA10832; Not Illustrated
42	MIA11085	GASOLINE ENGINE	1		NLA; ORDER MIA12226; MARKED 441677-0143-B1; Not Illustrated
42	MIA12226	GASOLINE ENGINE	1		NLA; ORDER MIA12438; MARKED 31P677-0244-B1; Not Illustrated
42	MIA12438	GASOLINE ENGINE	1		MARKED 31P677-0157-B1; Not Illustrated
42	MIA11414	GASOLINE ENGINE	1		NLA; ORDER MIA11632; MARKED 407777-178-B1; Not Illustrated
42	MIA11632	GASOLINE ENGINE	1		NLA; ORDER MIA12067; MARKED 407777-0151-B1; 22HP, EU, M40, 3350RPM; Not Illustrated
42	MIA12067	GASOLINE ENGINE	1		NLA; ORDER MIA12229; Not Illustrated

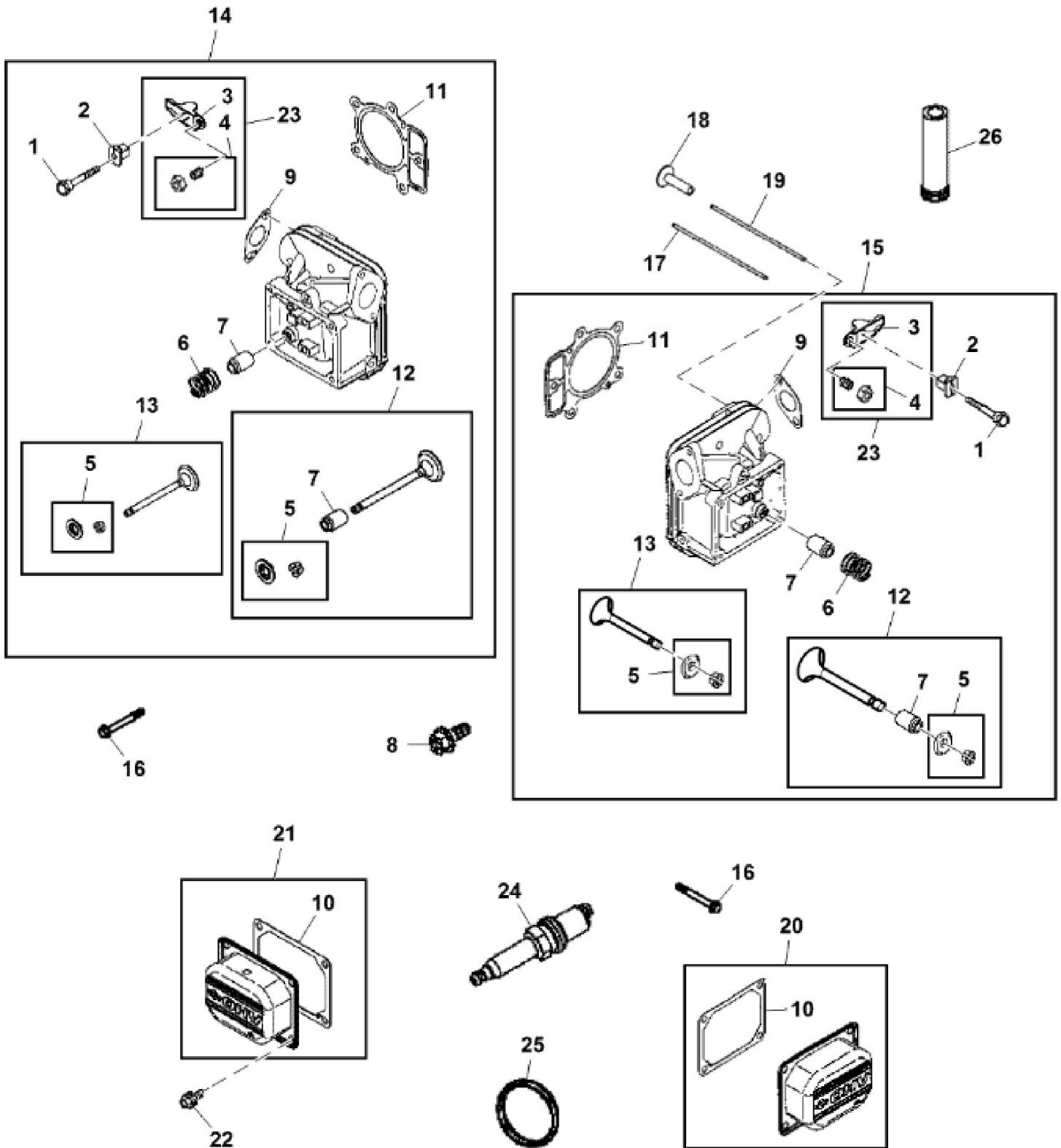
KEY	PART NO.	PART NAME	QTY	Serial No.	REMARKS	
42	MIA12229	GASOLINE ENGINE	1		NLA; ORDER MIA12441; Not Illustrated	
42	MIA12441	GASOLINE ENGINE	1		Not Illustrated	
42	MIA12443	GASOLINE ENGINE	1		Not Illustrated	
42	MIA12855	GASOLINE ENGINE	1		(Not Illustrated) MARKED 40N877-0001-B1; Not Illustrated	
43	LG692125	CAP SCREW	1		(Not Illustrated) USE WITH MIA11584	



John Deere > Turf And Utility >TRACTOR, LAWN AND GARDEN >X140 - TRACTOR, LAWN AND GARDEN >X140 Tractor (100 Series) with 48-Inch Mower Deck >20 ENGINE GU21173, GU21176, GU21178  
 >ST245080 - CRANKSHAFT AND PISTON

KEY	PART NO.	PART NAME	QTY	Serial No.	REMARKS
1	MIA11459	CONNECTING ROD	2		(SUB FOR AM135101)
2	LG690976	SCREW	4		
3	AM135083	CRANKSHAFT	1		(SUB MIA11457)
3	MIA11457	CRANKSHAFT	1		(INCLUDES LG690980)
4	26H67	SHAFT KEY	1		1/8" X 3/8", (SUB FOR 26H4)
5	LG690980	GEAR	1		TIMING
6	LG222698S	SHAFT KEY	1		FLYWHEEL
7	MIA10916	CAMSHAFT	1		(INCLUDES (4) LG690977)
8	LG499054	OIL PUMP	1		(ENGINE MARKED 441677-0113-E1, 0131-E1) (SUB MIA11172)
8	.....	OIL PUMP	1	____-023204	(ENGINE MARKED 441677-0143-B1) (ORDER MIA11172)
8	MIU12143	OIL PUMP	1	023205-____	
8	MIA11172	OIL PUMP	1		(USE WITH MIA11020)
9	LG691042	SHAFT	1		(ENGINE MARKED 441677-0113-E1, 0131-E1); NLA; ORDER MIA11172
9	.....	SHAFT	1	____-023204	(ENGINE MARKED 441677-0143-B1) (ORDER MIA11172)
9	.....	SHAFT	1	023205-____	(ORDER MIU12143)
9	MIA11172	OIL PUMP	1		
10	LG499613	COVER	1	____-023204	
10	MIA11464	COVER	1	023205-____	
11	LG690589	SEAL	1	____-023204	
11	MIU12153	SEAL	1	023205-____	(ENGINE MARKED 407777-178-B1)
12	M151228	SCREW	3	____-023204	
12	MIU12142	SCREW	3	023205-____	
13	LG690975	LOCK	2		
14	LG690229	PISTON PIN	2	____-023204	
14	MIA11458	PISTON PIN	2	023205-____	
15	MIU11282	PISTON RING KIT	2		STD
15	MIU11283	PISTON RING KIT	2		.020" , OS
15	MIU12013	PISTON RING KIT	2		STD (USE WITH MIA11346 ) (SUB FOR MIU12180)
15	MIU12161	RING	2		STD (USE WITH MIA11102 )
16	MIA10877	PISTON	2	____-023204	STD

KEY	PART NO.	PART NAME	QTY	Serial No.	REMARKS	
16	MIA10878	PISTON	2	____-023204	.020" , OS	
16	MIA11346	PISTON	2	023205-____	STD.	
16	MIA11102	PISTON	2	023205-____	.020" , OS (INCLUDES (1) LG690975)	
17	LG690977	TAPPET	4		USE WITH MIA12855	



Thank you so much for reading.  
Please click the “Buy Now!”  
button below to download the  
complete manual.



After you pay.

You can download the most  
perfect and complete manual in  
the world immediately.

Our support email:

[ebooklibonline@outlook.com](mailto:ebooklibonline@outlook.com)