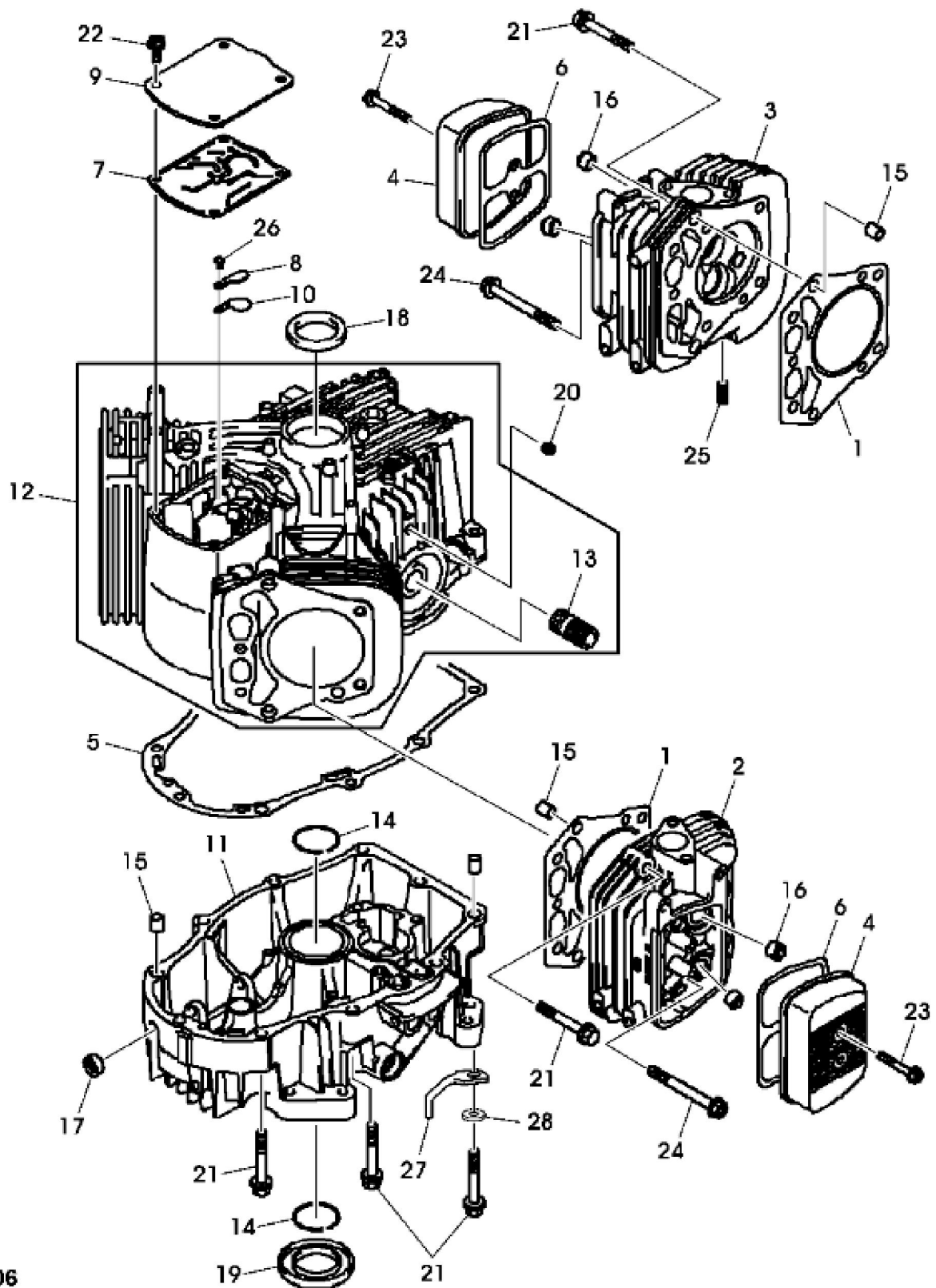


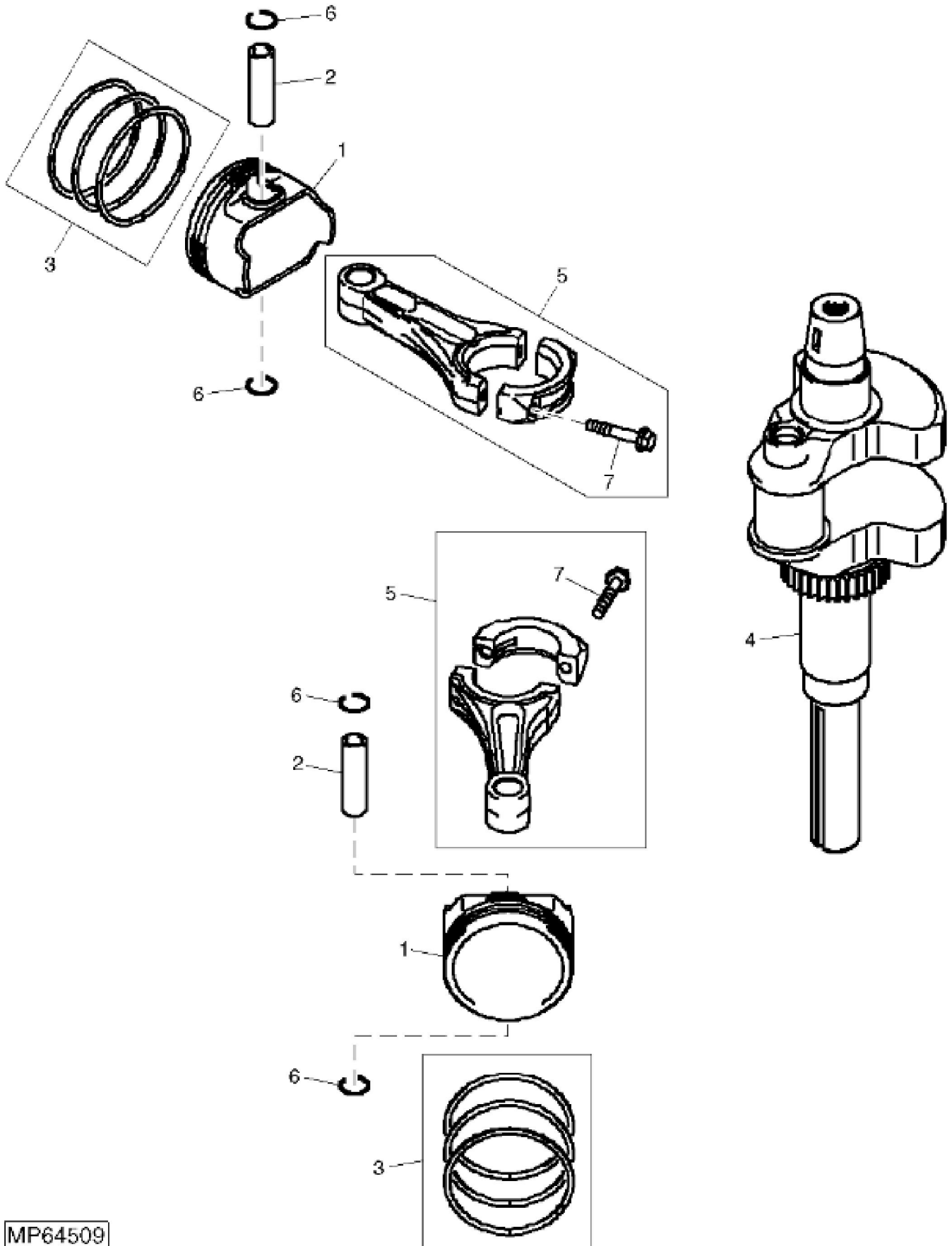
KEY	PART NO.	PART NAME	QTY	REMARKS	
1	MIA10822	GASOLINE ENGINE	1	22HP, MARKED FH661V-AS06; NLA; ORDER MIA11321	
1	MIA11321	GASOLINE ENGINE	1		
1	MIA11242	SHORT BLOCK ASSEMBLY	1	22HP, Kawasaki	
2	GC00331	SCREW	4	9.525 X 29.580 mm, NLA; ORDER GX24210	
2	GX24210	SCREW	4		



PU01406

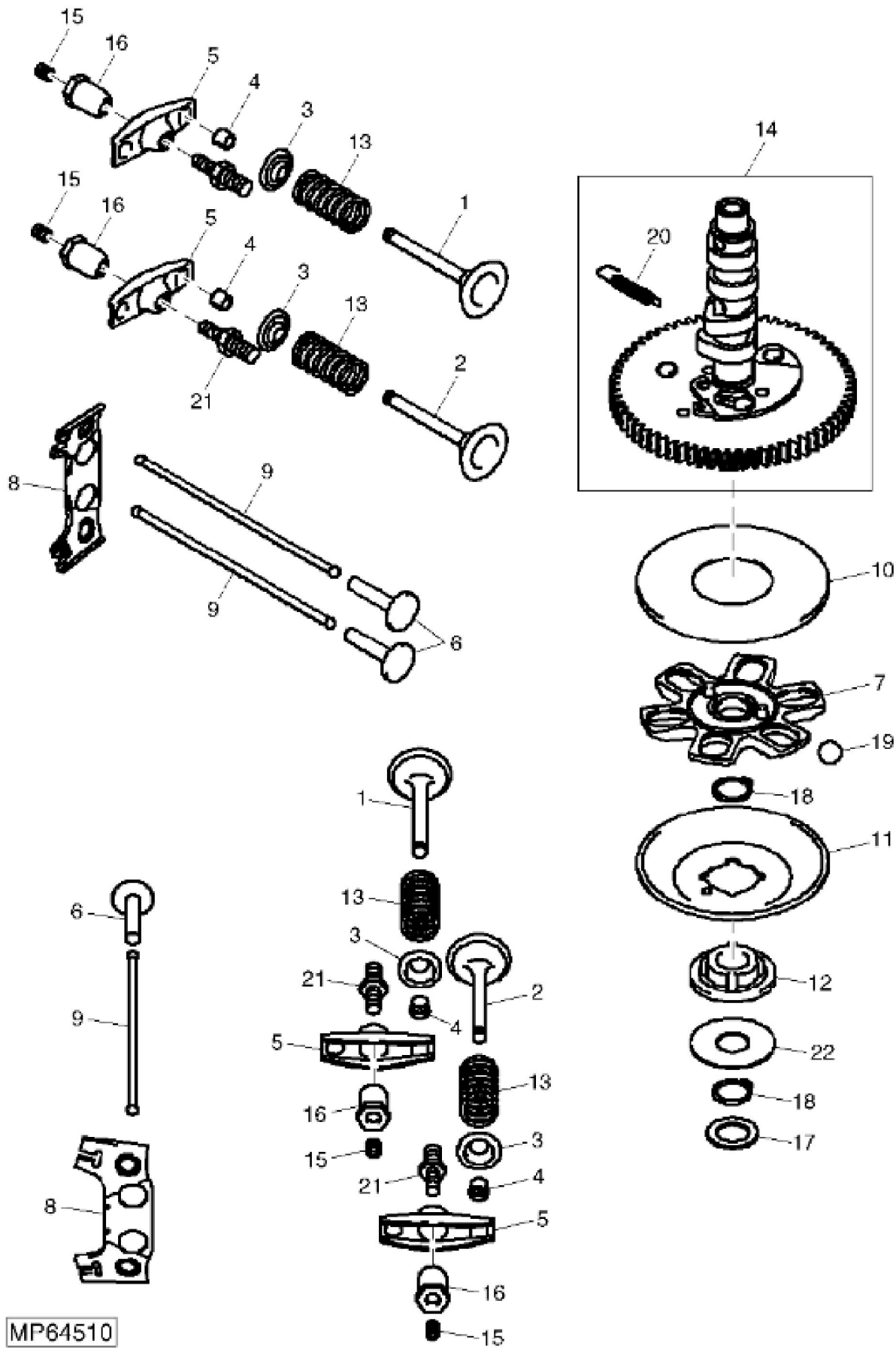
John Deere > Turf And Utility >TRACTOR, LAWN AND GARDEN >Z810A - TRACTOR, LAWN AND GARDEN >Z810A Professional ZTrak >20 ENGINE TCM11477 >ST590276 - CYLINDER HEADS AND CRANKCASE

KEY	PART NO.	PART NAME	QTY	REMARKS
1	M147908	ENGINE CYLINDER HEAD GASKET	2	
2	AM135296	CYLINDER HEAD	1	NO. 2
3	MIA10402	CYLINDER HEAD	1	NO. 1
4	M140218	CASE	2	ROCKER
5	M140220	GASKET	1	CRANKCASE COVER
6	M140221	GASKET	2	ROCKER CASE
7	MIU11731	GASKET	1	BREATHER
8	M140223	PLATE	1	
9	MIU11732	COVER	1	
10	M140229	VALVE	1	
11	MIU11292	COVER	1	CRANKCASE
12	MIA10962	CRANKCASE	1	
12	MIA10920	CRANKCASE	1	(USE WITH MIA11242)
13	M127431	ADAPTER FITTING	1	
14	M140231	SNAP RING	2	
15	M138388	PIN	6	
16	M138389	SEAL	4	
17	M138392	SEAL	1	NLA; ORDER M151774
17	M151774	SEAL	1	
18	M150948	SEAL	1	
19	MIU11733	SEAL	1	
20	M147270	PLUG	1	NLA; ORDER MIU14001
20	MIU14001	PLUG	1	
21	19M8319	SCREW	18	M8 X 50
22	19M7775	SCREW	4	M6 X 16
23	19M7320	CAP SCREW	4	M6 X 40
24	MIU11322	BOLT	2	
25	M138395	STUD	4	NLA; ORDER MIU11736
25	MIU11736	BOLT	4	NLA; ORDER MIU12726
25	MIU12726	STUD	4	
26	21M7244	SCREW	1	M4 X 8
27	TCU26943	GUIDE	1	NLA; ORDER TCU33513; Belt
27	TCU33513	GUIDE	1	
28	24M7178	WASHER	1	10.500 X 30 X 2.500 mm



MP64509

KEY	PART NO.	PART NAME	QTY	REMARKS	
1	M143319	PISTON	2	STANDARD	
1	M146875	PISTON	AR	L, 0.50	
2	M138397	PISTON PIN	2		
3	AM128738	PISTON RING KIT	2		
3	AM132069	PISTON RING KIT	AR	L, 0.50	
4	MIA11235	CRANKSHAFT	1		
5	MIA10804	CONNECTING ROD	2		
6	M138398	SNAP RING	4		
7	M146763	BOLT	4	M6 X 35	



MP64510

Thank you so much for reading.
Please click the “Buy Now!”
button below to download the
complete manual.



After you pay.

You can download the most
perfect and complete manual in
the world immediately.

Our support email:

ebooklibonline@outlook.com