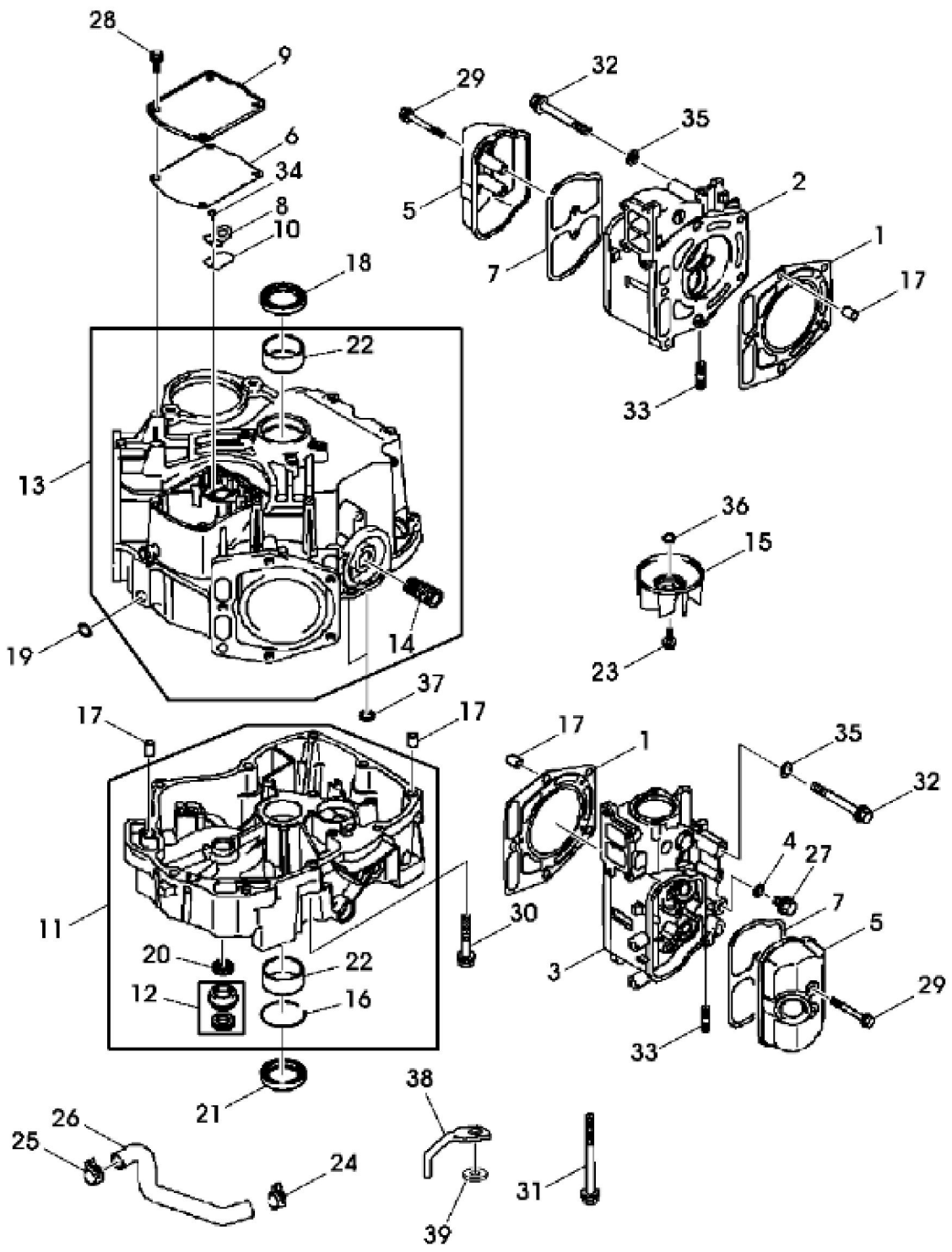


KEY	PART NO.	PART NAME	QTY	REMARKS	
1	MIA10827	GASOLINE ENGINE	1	26HP, MARKED FD731V-AS07; Liquid Cooled Kawasaki	
1	MIA11337	GASOLINE ENGINE	1	26HP, NLA; Liquid Cooled Kawasaki FD731V	
2	GC00331	SCREW	4	9.525 X 29.580 mm, NLA; ORDER GX24210	
2	GX24210	SCREW	4		

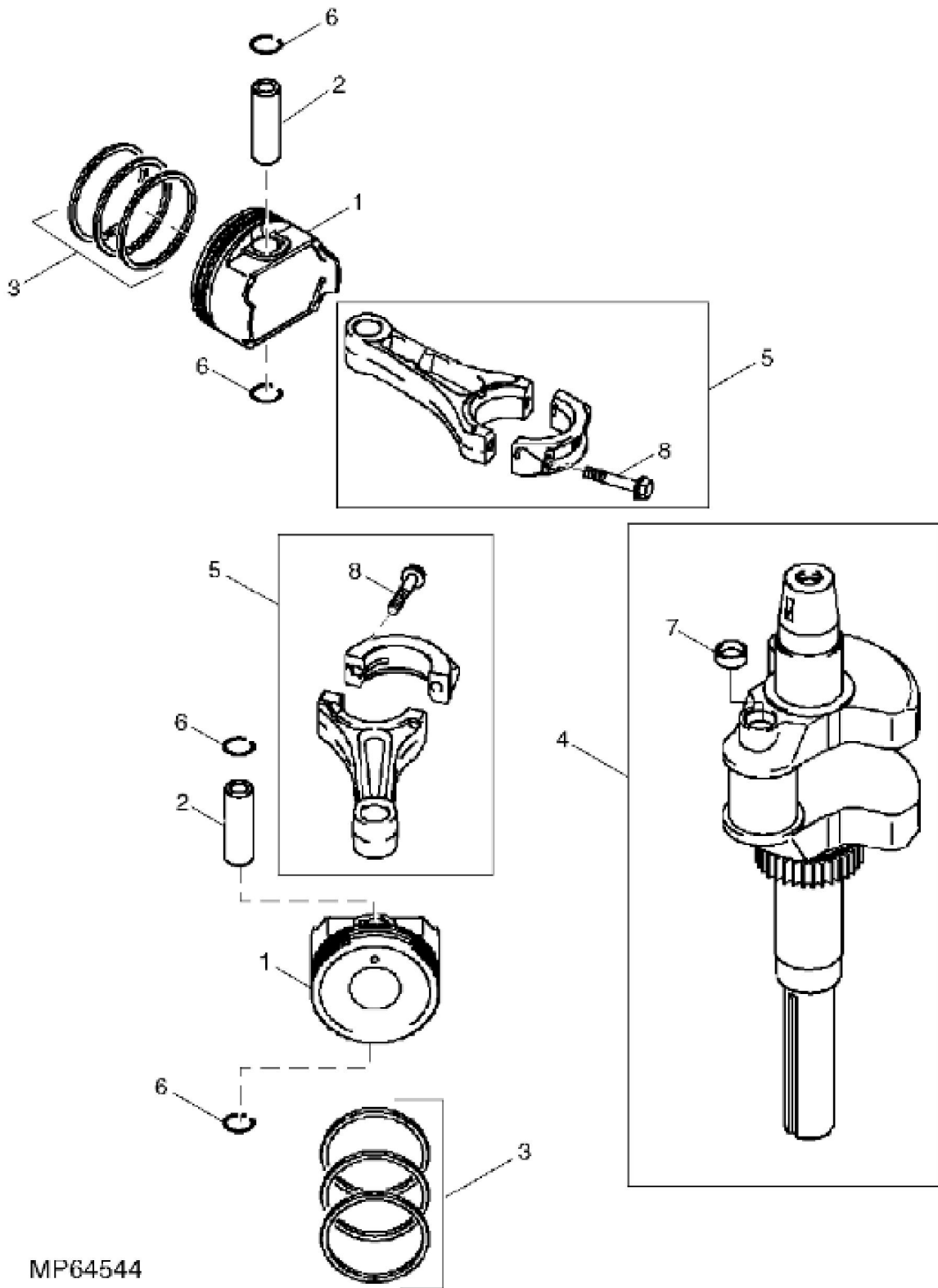


PU01408

John Deere > Turf And Utility >TRACTOR, LAWN AND GARDEN >Z840A - TRACTOR, LAWN AND GARDEN >Z840A Professional ZTrak >20 ENGINE TCM11479 >ST568061 - CYLINDER HEADS AND CRANKCASE

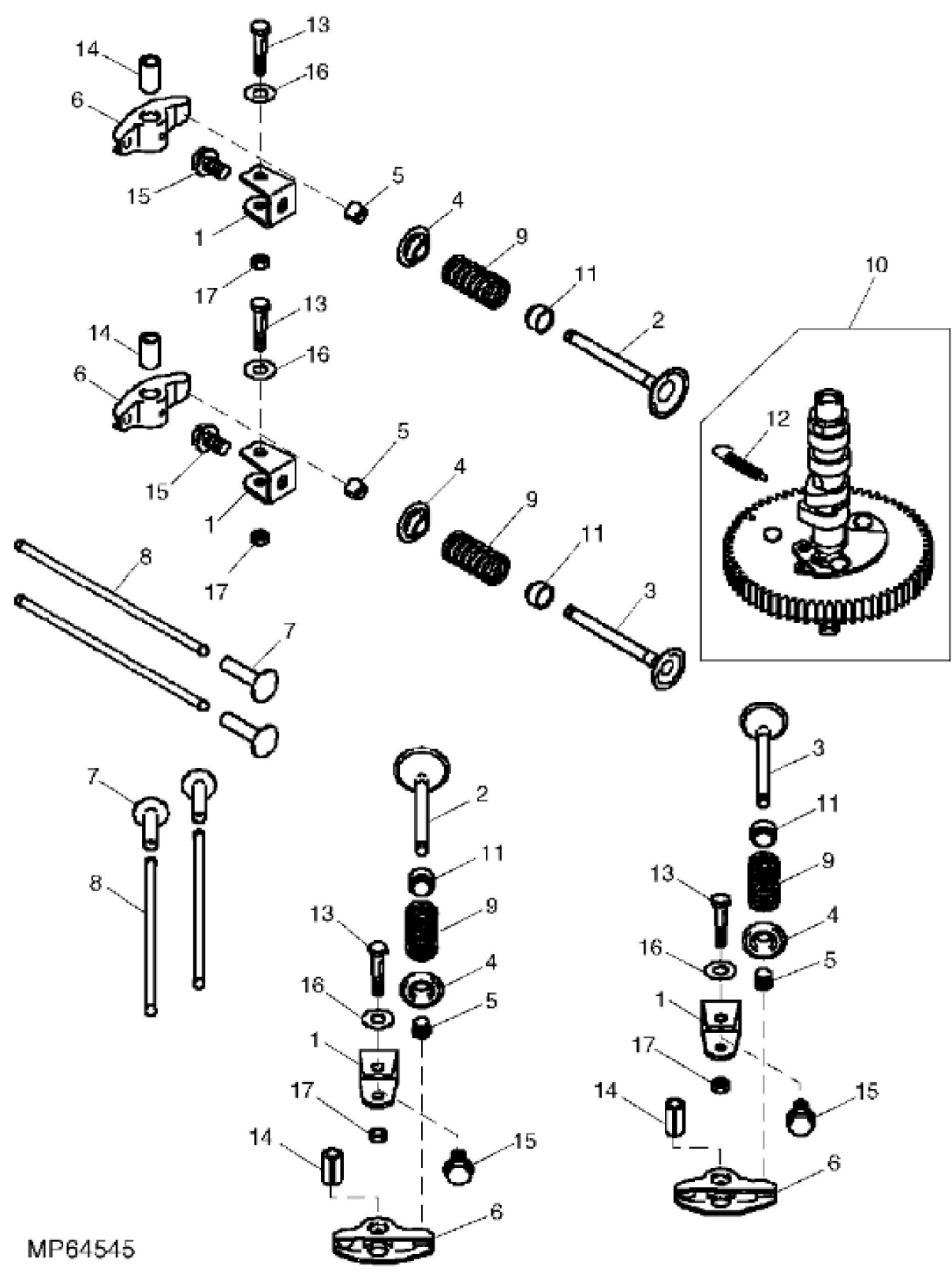
KEY	PART NO.	PART NAME	QTY	REMARKS
1	MIU10820	ENGINE CYLINDER HEAD GASKET	2	
2	MIA10535	CYLINDER HEAD	1	
3	MIA10536	CYLINDER HEAD	1	
4	MIU10822	GASKET	1	DRAIN
5	MIU10823	CASE	2	ROCKER
6	MIU10824	GASKET	1	BREATHER COVER
7	MIU10825	GASKET	2	ROCKER CASE
8	MIU10826	BREATHER	1	
9	MIU10827	COVER	1	BREATHER
10	MIU10828	VALVE	1	BREATHER
11	MIA11262	COVER	1	CRANKCASE
12	MIU11328	SEALING RING	1	
13	MIA11524	CRANKCASE	1	(SUB FOR MIA10537)
14	M127431	ADAPTER FITTING	1	
15	MIU10830	IMPELLER	1	
16	MIU10831	SNAP RING	1	
17	M70227	PIN	6	
18	MIU10832	SEAL	1	
19	MIU10833	SEAL	1	
20	MIU11329	SEAL	1	
21	MIU11870	SEAL	1	
22	MIU10834	BEARING	2	
23	MIU11245	BOLT	1	M6 X 14
24	MIU10835	CLAMP	1	
25	M147352	CLAMP	1	
26	MIU11871	TUBE	1	BREATHER
27	19M7864	SCREW	1	M8 X 12
28	19M7774	SCREW	4	M6 X 12
29	MIU11775	BOLT	4	M6 X 50
30	19M8319	SCREW	7	M8 X 50
31	19M7970	SCREW	3	M8 X 100
32	19M7803	SCREW	10	M8 X 70
33	MIU11876	BOLT	4	M8 X 18
34	21M7244	SCREW	1	M4 X 8

KEY	PART NO.	PART NAME	QTY	REMARKS	
35	24M7095	WASHER	10	8.400 X 15 X 1.600 mm	
36	MIU10839	O-RING	1	9MM	
37	M76104	O-RING	1	11MM	
38	TCU26943	GUIDE	1	NLA; ORDER TCU33513; Belt	
38	TCU33513	GUIDE	1		
39	24M7178	WASHER	1	10.500 X 30 X 2.500 mm	



MP64544

KEY	PART NO.	PART NAME	QTY	REMARKS	
1	MIU10840	PISTON	2		
2	MIU10841	PISTON PIN	2		
3	MIU10842	PISTON RING KIT	2		
4	MIA11263	CRANKSHAFT	1		
5	MIA10539	CONNECTING ROD	2		
6	MIU10843	SNAP RING	4		
7	MIU10844	PLUG	1		
8	19M7833	SCREW	4	M6 X 35	



MP64545

Thank you so much for reading.
Please click the “Buy Now!”
button below to download the
complete manual.



After you pay.

You can download the most
perfect and complete manual in
the world immediately.

Our support email:

ebooklibonline@outlook.com