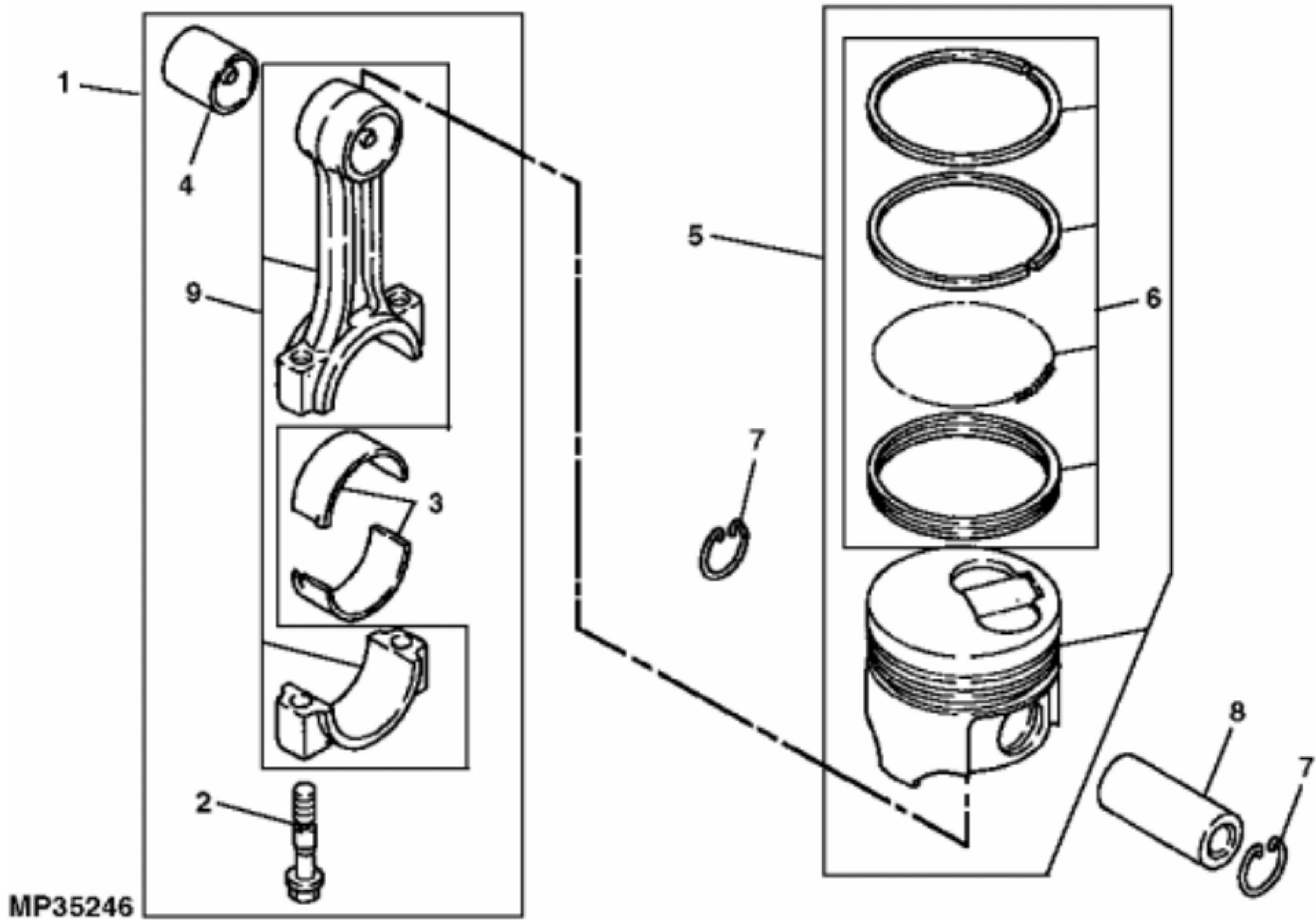


- CYLINDER BLOCK

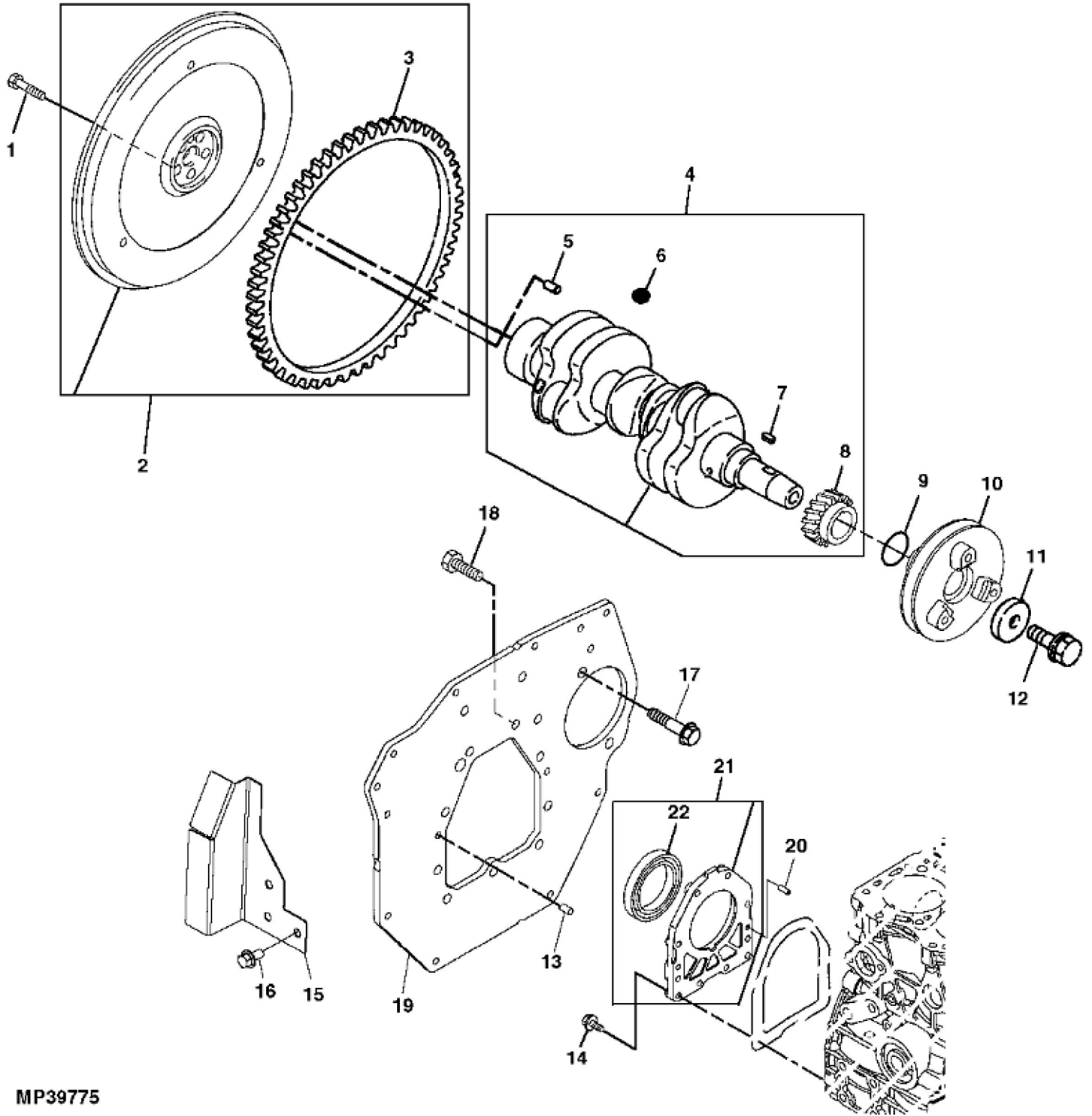
KEY	PART NO.	PART NAME	QTY	REMARKS
1	M800970	BOLT	14	
2	M811815	ENGINE CYLINDER HEAD GASKET	1	NLA; ORDER MIU802007
2	MIU802007	GASKET	1	
3	CH18079	SPRING PIN	2	
4	M811807	PLUG	3	
5	CYLINDER BLOCK	1	
6	MIU800572	CAMSHAFT	1	
7	M87871	BOLT	3	
8	M811882	SHAFT	1	Idle Gear
9	M800006	DOWEL PIN	2	
10	CH10314	PLUG	1	
11	M802255	PIN	2	Seal Housing
12	M802254	PIN	2	Starter Flange
13	MIA880551	BEARING	4	STD
13	AM882418	BEARING KIT	4	.25 MM (.010") US
14	AM882419	BEARING KIT	2	Thrust
15	M87801	PLUG	1	
16	BEARING CAP	1	
17	M87879	BOLT	8	
18	BEARING CAP	3	
19	MIA880096	CYLINDER BLOCK	1	
20	M811805	PLUG	4	
21	CH10335	PLUG	6	
22	M809593	PLUG	1	
..	AM133449	DIESEL ENGINE	1	NLA; ORDER MIA880049; MARKED 3TNV76-XJLTE
..	AM133449	DIESEL ENGINE	1	NLA; ORDER MIA880049; EXPORT
..	MIA880049	SHORT BLOCK ASSEMBLY	1	NLA; ORDER MIA882684
..	MIA882684	SHORT BLOCK ASSEMBLY	1	



MP35246

- CONNECTING ROD AND PISTON

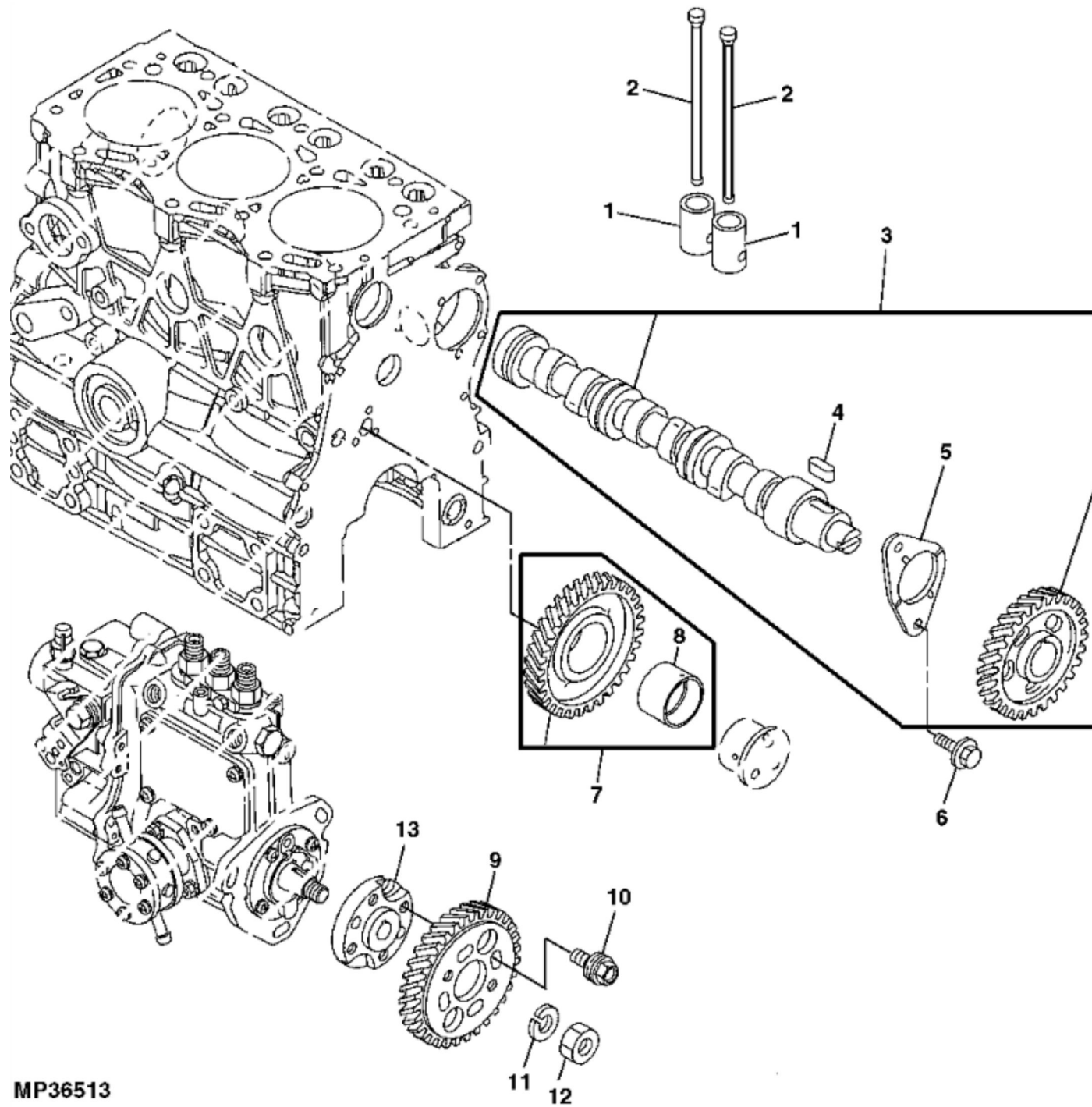
KEY	PART NO.	PART NAME	QTY	REMARKS	
1	AM882431	CONNECTING ROD	3	ASSEMBLY	
2	M811877	BOLT	2		
3	MIA880561	BEARING	1	STD	
3	MIA880566	BEARING	1	.25 MM (.010") US	
4	M811880	BUSHING	1		
5	AM882426	PISTON	3	STD	
5	AM882430	PISTON	3	.25 MM (.010") OS	
6	AM882428	PISTON RING KIT	1	STD	
6	AM882429	PISTON RING KIT	1	.25 MM (.010") OS	
7	CH11486	RING	6		
8	M811869	PISTON PIN	3		
9	CONNECTING ROD	1		



MP39775

- CRANKSHAFT, FLYWHEEL AND MOUNTING FLANGE

KEY	PART NO.	PART NAME	QTY	REMARKS	
1	M87887	BOLT	5		
2	AM882447	FLYWHEEL	1		
3	RING GEAR	1		
4	AM882425	CRANKSHAFT	1		
5	M802255	PIN	1	7.925 X 18.999 mm	
6	400R	BALL	1		
7	M87812	SHAFT KEY	1		
8	M811864	GEAR	1		
9	CH17827	O-RING	1	NLA; ORDER MIU802534	
9	MIU802534	WASHER	1		
10	M811947	PULLEY	1		
11	M811865	WASHER	1	NLA; ORDER MIU802535	
11	MIU802535	WASHER	1		
12	M800075	BOLT	1		
13	M802254	PIN	2	5.944 X 13.310 mm	
14	M87826	BOLT	10		
15	M155804	GUARD	1		
16	19M7784	SCREW	2	M10 X 20	
17	19M7872	CAP SCREW	2	M12 X 25	
18	M800011	BOLT	5		
19	MIU800516	FLANGE	1		
20	M802254	PIN	2	5.944 X 13.310 mm	
21	AM882411	HOUSING	1		
22	M801941	SEAL	1		



MP36513

Thank you so much for reading.
Please click the “Buy Now!”
button below to download the
complete manual.



After you pay.

You can download the most
perfect and complete manual in
the world immediately.

Our support email:

ebooklibonline@outlook.com