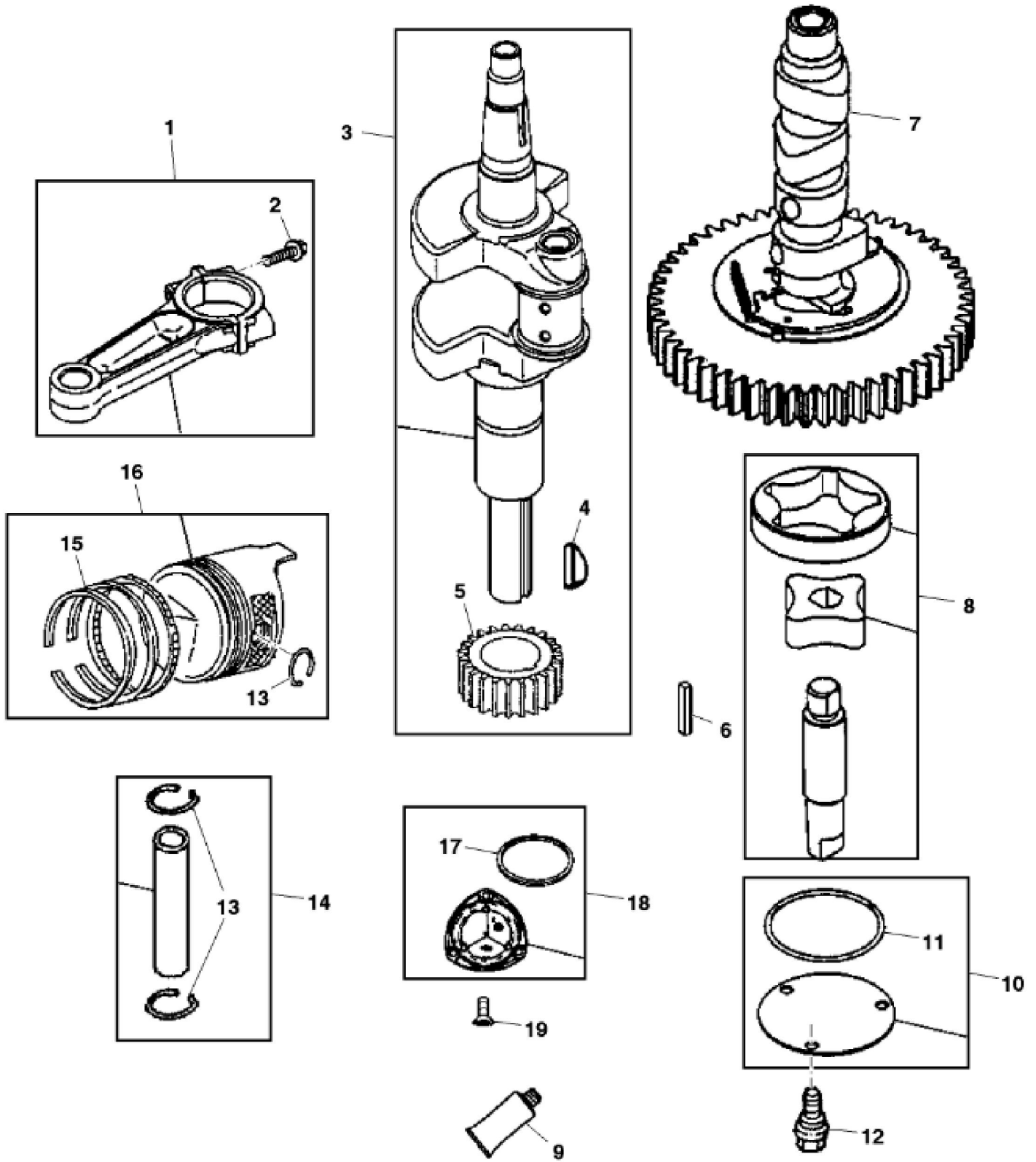


MP38609

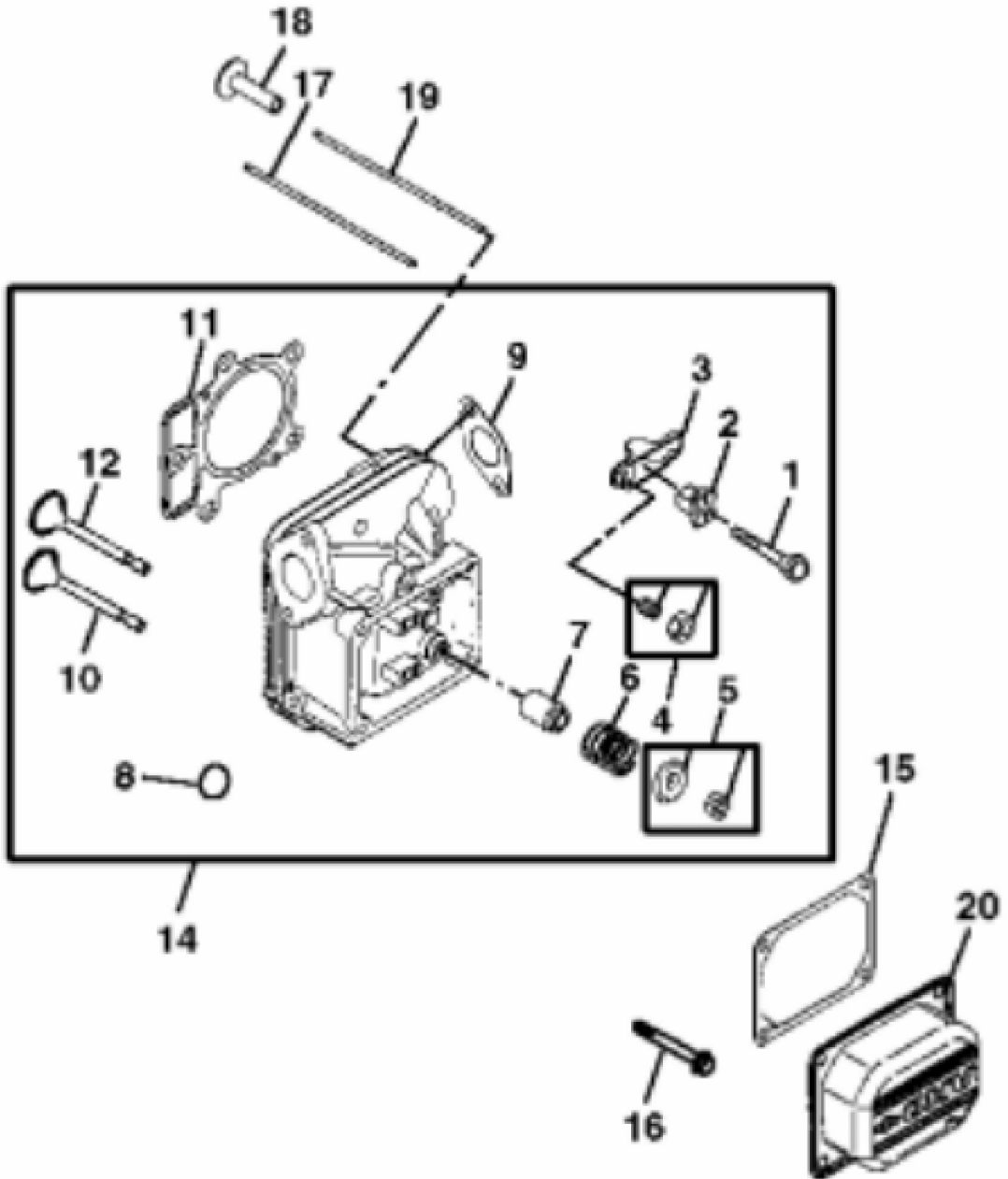
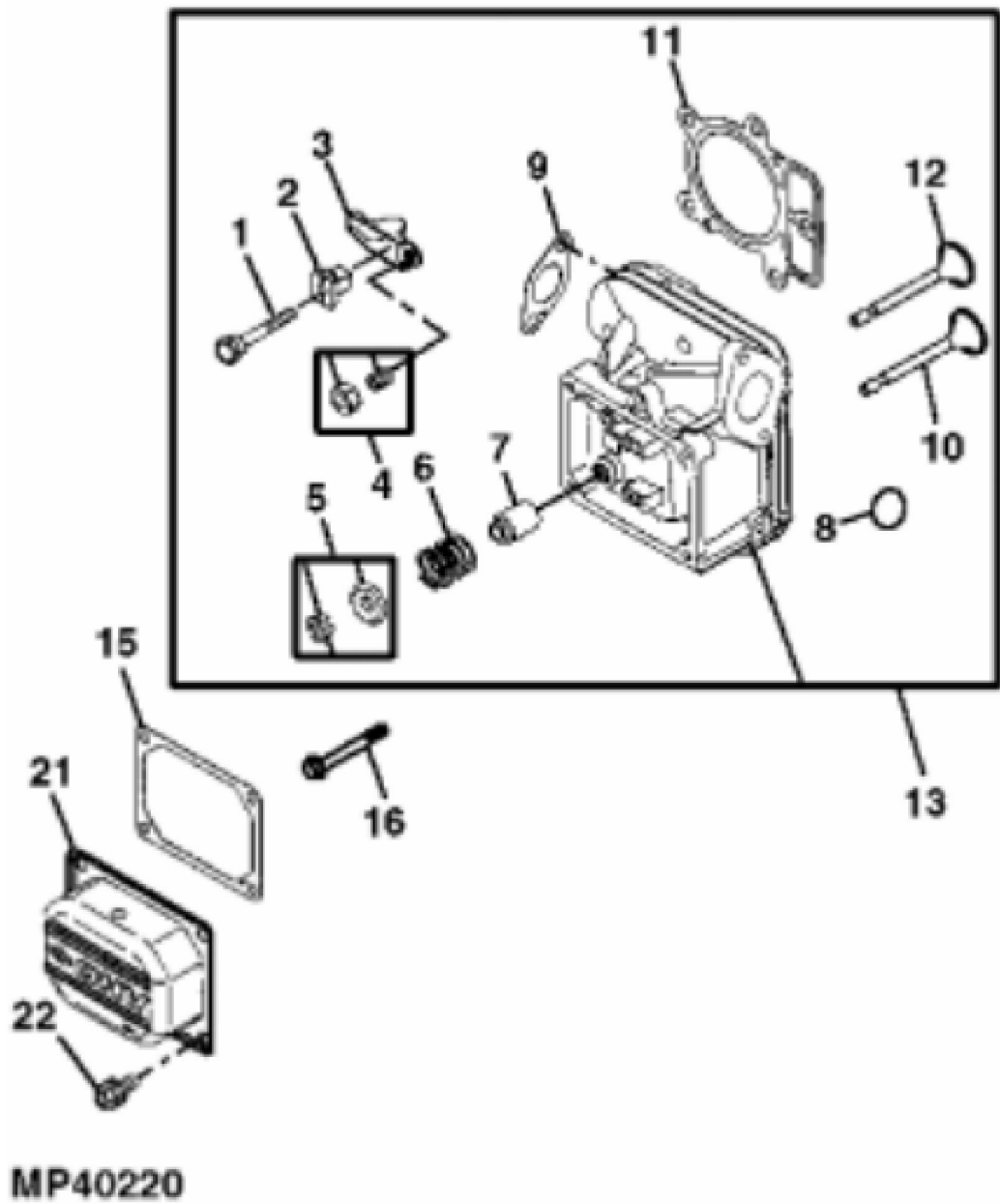
KEY	PART NO.	PART NAME	QTY	Serial No.	REMARKS
1	UC11104	DIPSTICK	1		SUB FOR LG499602
2	LG691031	O-RING	1		
3	LG691036	DIPSTICK	1		
4	LG691032	SEAL	1		
5	LG691037	OIL TUBE	1		
6	37H74	SCREW	1	____-120000	
6	M153266	SCREW	1	120001-____	
7	LG391086S	SEAL	1		
8	MIA11778	BUSHING KIT	1		
9	LG690959	DOWEL PIN	6		
10	MIA10607	CYLINDER	1		NLA; ORDER MIA11033
10	MIA11033	CYLINDER	1		NLA; ORDER MIA12510
10	MIA13076	CYLINDER	1		SUB FOR MIA12510
11	MIU14436	GASKET	1		SUB FOR M150226 AND MIU13979
12	LG690770	SCREEN	1		
12	MIU12140	SCREEN	1	080001-____	
13	15H623	PIPE PLUG	1		3/8"
14	LG690954	THREADED NIPPLE	1		
15	15H638	PIPE PLUG	1		1/8"
16	MIU11958	SEAL	1		(SUB FOR MIU11212)
17	MIU11284	SEAL	1		GOVERNOR SHAFT
18	MIU12503	BUSHING	1		GOVERNOR CRANK
19	MIA11460	RESERVOIR	1		NLA; ORDER MIA11584; ENGINE MARKED 44L777-0115-B1, 44L777-0116-G1; SUB FOR AM134054
19	MIA11584	RESERVOIR	1		(ENGINE MARKED 44L777-0144-G1, -0134-G5) (INCLUDES MIU12140 SCREEN)
20	MIU11439	FILTER	1		NLA; ORDER AM125424; ENGINE MARKED 44L777-0115-B1, 44L777-0116-G1; With Packing
20	AM125424	OIL FILTER	1		ENGINE MARKED 44L777-0144-G1, -0134-G5
21	LG690957	RETAINER	1		
22	MIU11502	BREATHER	1		
23	37H74	SCREW	3	____-120000	
23	LG691108	SCREW	3	120001-____	
24	MIU14443	TUBE	1		SUB FOR MIU11280
25	LG690937	GASKET	1		

KEY	PART NO.	PART NAME	QTY	Serial No.	REMARKS
26	MIA10872	BREATHER	1		
27	M142896	SCREW	10		
28	LG691045	CRANK	1		GOVERNOR
29	M142282	BUSHING	2		
30	M142286	RETAINER	2		
31	M142280	WASHER	1		
32	GC00331	SCREW	3		NLA; ORDER GX24210; Engine Mounting
32	GX24210	SCREW	3		NLA
33	AM136361	DRAIN VALVE	1		
34	19M7897	SCREW	1		M8 X 35, (ENGINE/GROUND MOUNT)
35	E63525	NUT	1		M8, (ENGINE/GROUND MOUNT)
..	MIA11031	GASOLINE ENGINE	1		(SUB MIA12060) (ALSO ORDER AM138057 AND M155652) (MARKED 44L777-0115-B1)
..	MIA10956	GASOLINE ENGINE	1		(SUB MIA12060) (ALSO ORDER AM138057 AND M155652) (MARKED 44L777-0116-G1) (CALIFORNIA)
..	MIA11313	GASOLINE ENGINE	1		(SUB MIA12060) (MARKED 44L777-0144-G1) (50 STATES)
..	MIA11517	GASOLINE ENGINE	1		(SUB MIA12060) (MARKED 44L777-0138-G1)
..	MIA11607	GASOLINE ENGINE	1		(SUB MIA12060) (MARKED 44L777-0279-G1)
..	MIA12060	GASOLINE ENGINE	1	_____-120000	FIFO
..	MIA12103	GASOLINE ENGINE	1		NLA; ORDER MIA12272; MARKED 44L777-0134-G5
..	MIA12272	GASOLINE ENGINE	1		

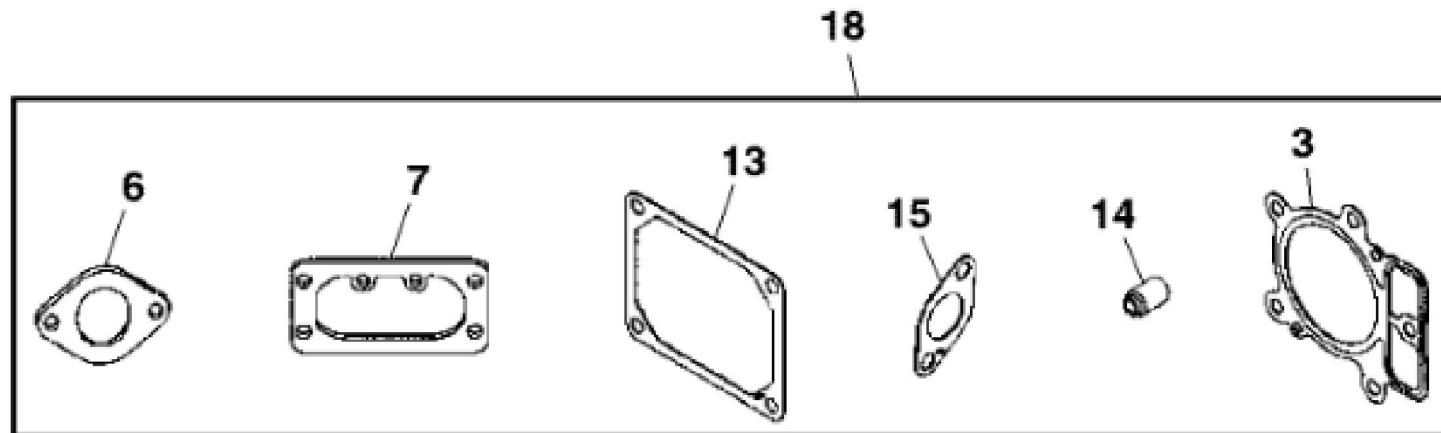
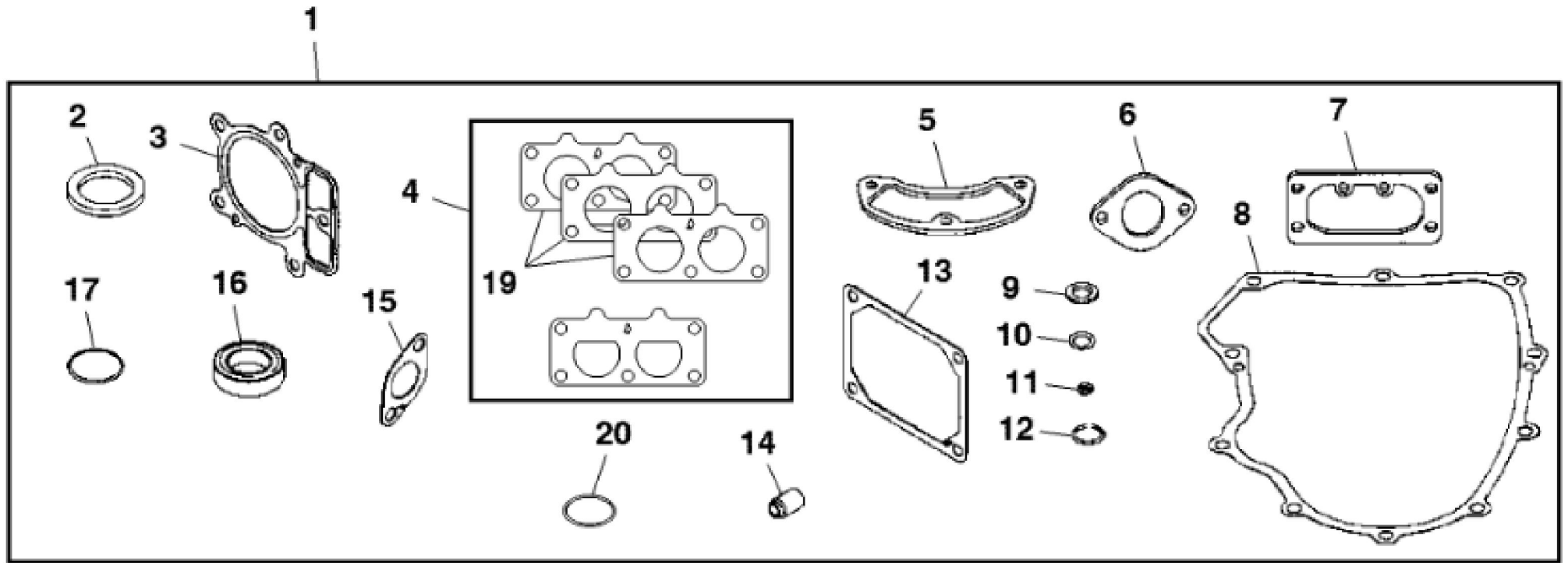


PU04215

KEY	PART NO.	PART NAME	QTY	REMARKS
1	AM135101	CONNECTING ROD	2	(ENGINE MARKED 44L777-0115-B1, 44L777-0116-G1) (SUB MIA11459)
1	MIA11459	CONNECTING ROD	2	(ENGINE MARKED 44L777-0144-G1, -0134-G5)
2	LG690976	SCREW	4	
3	AM135083	CRANKSHAFT	1	(ENGINE MARKED 44L777-0115-B1, 44L777-0116-G1)
3	MIA11457	CRANKSHAFT	1	(ENGINE MARKED 44L777-0144-G1, -0134-G5) (INCLUDES PARTS MARKED (B))
4	26H67	SHAFT KEY	1	1/8" X 3/8"
4	SHAFT KEY	1	(B)
5	LG690980	GEAR	1	TIMING
6	LG222698S	SHAFT KEY	1	FLYWHEEL
7	M151221	CAMSHAFT	1	(INCLUDES (4) LG690977)
7	MIA11792	CAMSHAFT	1	(INCLUDES (4) LG690977)
8	MIA11172	OIL PUMP	1	(ENGINE MARKED 44L777-0115-B1, 44L777-0116-G1)
8	MIU12143	OIL PUMP	1	(ENGINE MARKED 44L777-0144-G1, -0134-G5)
9	PM37469	LIQUID GASKET	2	
10	LG499613	COVER	1	(ENGINE MARKED 44L777-0115-B1, 44L777-0116-G1)
10	MIA11464	COVER	1	(ENGINE MARKED 44L777-0144-G1, -0134-G5)
11	LG690589	SEAL	1	(ENGINE MARKED 44L777-0115-B1, 44L777-0116-G1)
11	MIU12153	SEAL	1	(ENGINE MARKED 44L777-0144-G1, -0134-G5)
12	M151228	SCREW	3	(ENGINE MARKED 44L777-0115-B1, 44L777-0116-G1)
12	MIU12142	SCREW	3	(ENGINE MARKED 44L777-0144-G1, -0134-G5)
13	LG690975	LOCK	2	
14	LG690229	PISTON PIN	2	(ENGINE MARKED 44L777-0115-B1, 44L777-0116-G1)
14	MIA11458	PISTON PIN	2	(ENGINE MARKED 44L777-0144-G1, -0134-G5)
15	MIU11282	PISTON RING KIT	1	STD
15	MIU11283	PISTON RING KIT	1	.020" (.50 MM) OS
16	MIA10877	PISTON	2	STD (ENGINE MARKED 44L777-0115-B1, 44L777-0116-G1)
16	MIA10996	PISTON	2	STD (ENGINE MARKED 44L777-0144-G1, -0134-G5)
16	MIA10878	PISTON	2	.020" (.50 MM) OS
16	MIA11788	PISTON	2	.020" (.50 MM) OS, (ENGINE MARKED 44L777-0138-G1, -0134-G5)
17	MIU12153	SEAL	1	(ENGINE MARKED 44L777-0144-G1, -0134-G5)
18	MIA11464	COVER	1	(ENGINE MARKED 44L777-0144-G1, -0134-G5)
19	MIU12142	SCREW	3	(ENGINE MARKED 44L777-0144-G1, -0134-G5)



KEY	PART NO.	PART NAME	QTY	REMARKS
1	M150390	SCREW	2	
2	MIU11035	PIVOT	2	
3	LG690972	ROCKER ARM	2	
4	LG690083	ADJUSTER	2	
5	LG499586	RETAINER	2	(A), (B), Valve
6	MIU11281	SPRING	2	
7	LG690968	SEAL	1	(B), Valve Seal
8	MIU10608	O-RING	2	NLA; ORDER LG691917; Intake
8	LG691917	GASKET	2	
9	LG690970	GASKET	1	Exhaust
10	MIA10874	INTAKE VALVE	1	(INCLUDES PARTS MARKED (B))
11	M142274	GASKET	1	Cylinder Head
12	MIA11171	EXHAUST VALVE	1	(INCLUDES PARTS MARKED (A))
13	MIA10846	CYLINDER HEAD	1	(No. 1) (Engine MARKED 44L777-0115-B1, 44L777-0116-G1)
13	MIA11455	CYLINDER HEAD	1	(No. 1) (Engine MARKED 44L777-0144-G1, -0134-G5)
14	MIA10876	CYLINDER HEAD	1	(No. 2) (Engine MARKED 44L777-0115-B1, 44L777-0116-G1)
14	MIA11456	CYLINDER HEAD	1	(No. 2) (Engine MARKED 44L777-0144-G1, -0134-G5)
15	GASKET	2	(Engine MARKED 44L777-0115-B1, 44L777-0116-G1) (MAKE FROM PM37469)
15	LG690971	GASKET	2	(Engine MARKED 44L777-0144-G1, -0134-G5)
16	MIU11036	SCREW	10	(Engine MARKED 44L777-0115-B1, 44L777-0116-G1)
16	MIU14366	SCREW	10	Engine MARKED 44L777-0144-G1, -0134-G5; SUB FOR MIU11632
17	LG690982	PUSH ROD	2	Intake, Aluminium
18	LG690977	TAPPET	4	
19	LG690981	PUSH ROD	2	Exhaust, Steel
20	LG499600	COVER	1	Rocker (Cylinder No. 2)
21	MIA10873	COVER	1	Rocker (Cylinder No. 1)
22	LG691127	SCREW	8	



Thank you so much for reading.
Please click the “Buy Now!”
button below to download the
complete manual.



After you pay.

You can download the most
perfect and complete manual in
the world immediately.

Our support email:

ebooklibonline@outlook.com