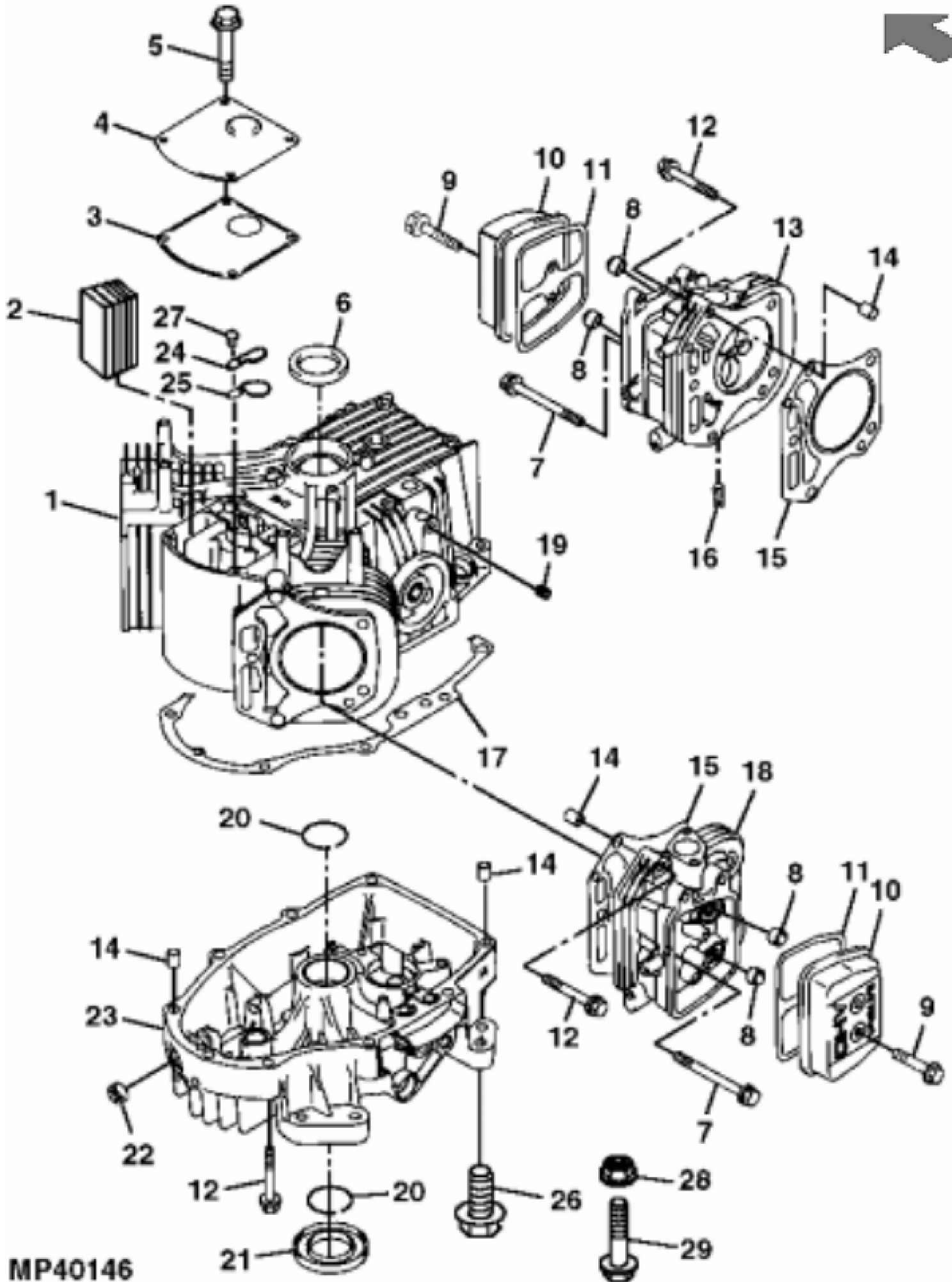


PU06193

KEY	PART NO.	PART NAME	QTY	Serial No.	REMARKS
1	MIA10738	GASOLINE ENGINE	1		MARKED FH721V-AS37; ORDER MIA11836)
1	MIA11194	GASOLINE ENGINE	1		MARKED FH721V-BS37; ORDER MIA11836
1	MIA11314	GASOLINE ENGINE	1		MARKED FH721V-CS37; ORDER MIA11836
1	MIA11836	GASOLINE ENGINE	1	____-100000	MARKED FH721V-DS37; ORDER MIA10928
1	MIA10928	SHORT BLOCK ASSEMBLY	1	100001-150000	
1	MIA12600	GASOLINE ENGINE	1	150001-____	MARKED FS730V-AS15R

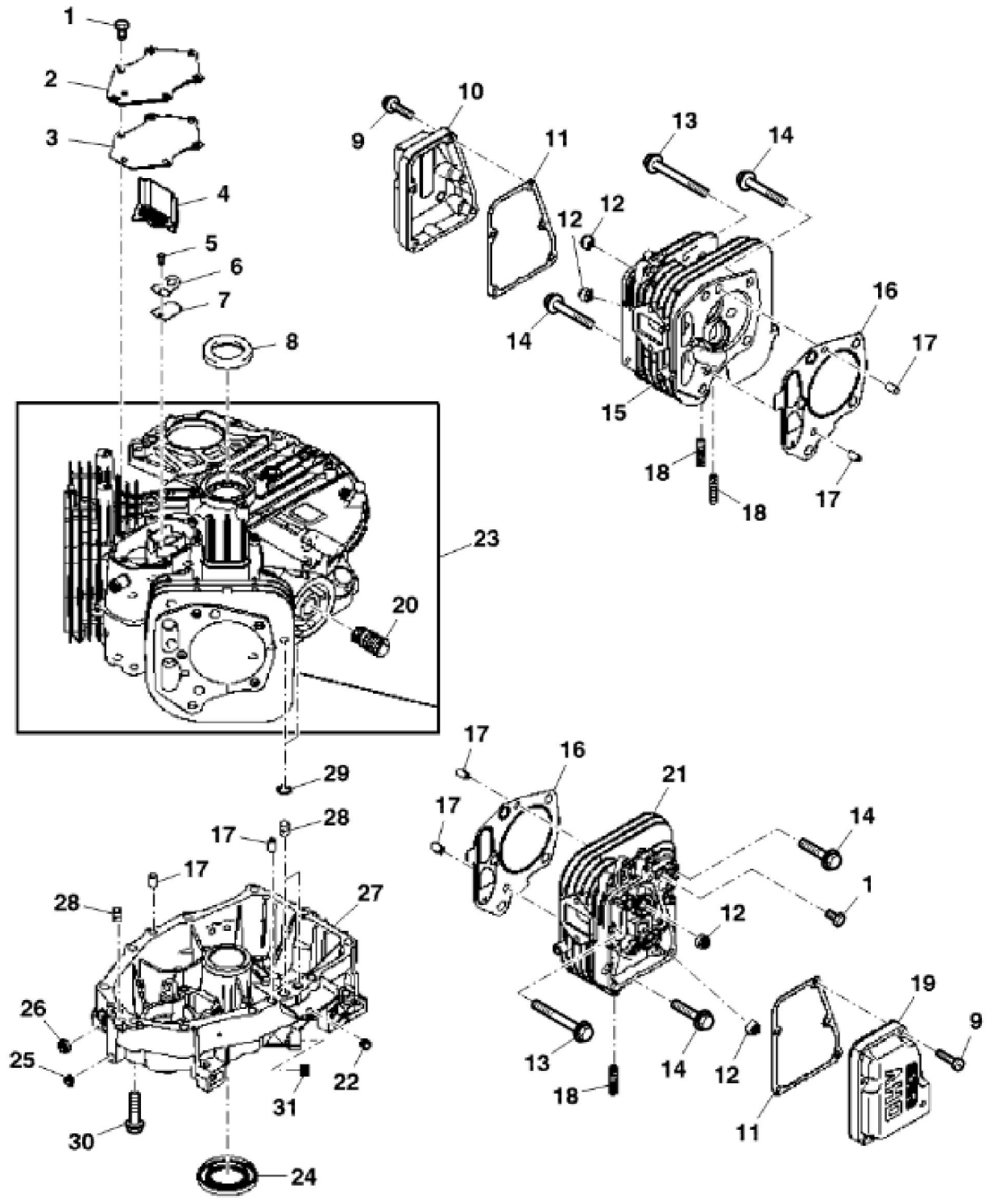


MP40146

John Deere > Turf And Utility >EZTRAK >Z465 - EZTRAK >Z465 EZtrak Residential Zero Turn Mower (Worldwide Edition) >20 ENGINE (KAWASAKI) MM16974 >ST551510 - CYLINDER HEAD AND CRANKCASE (- 150000)

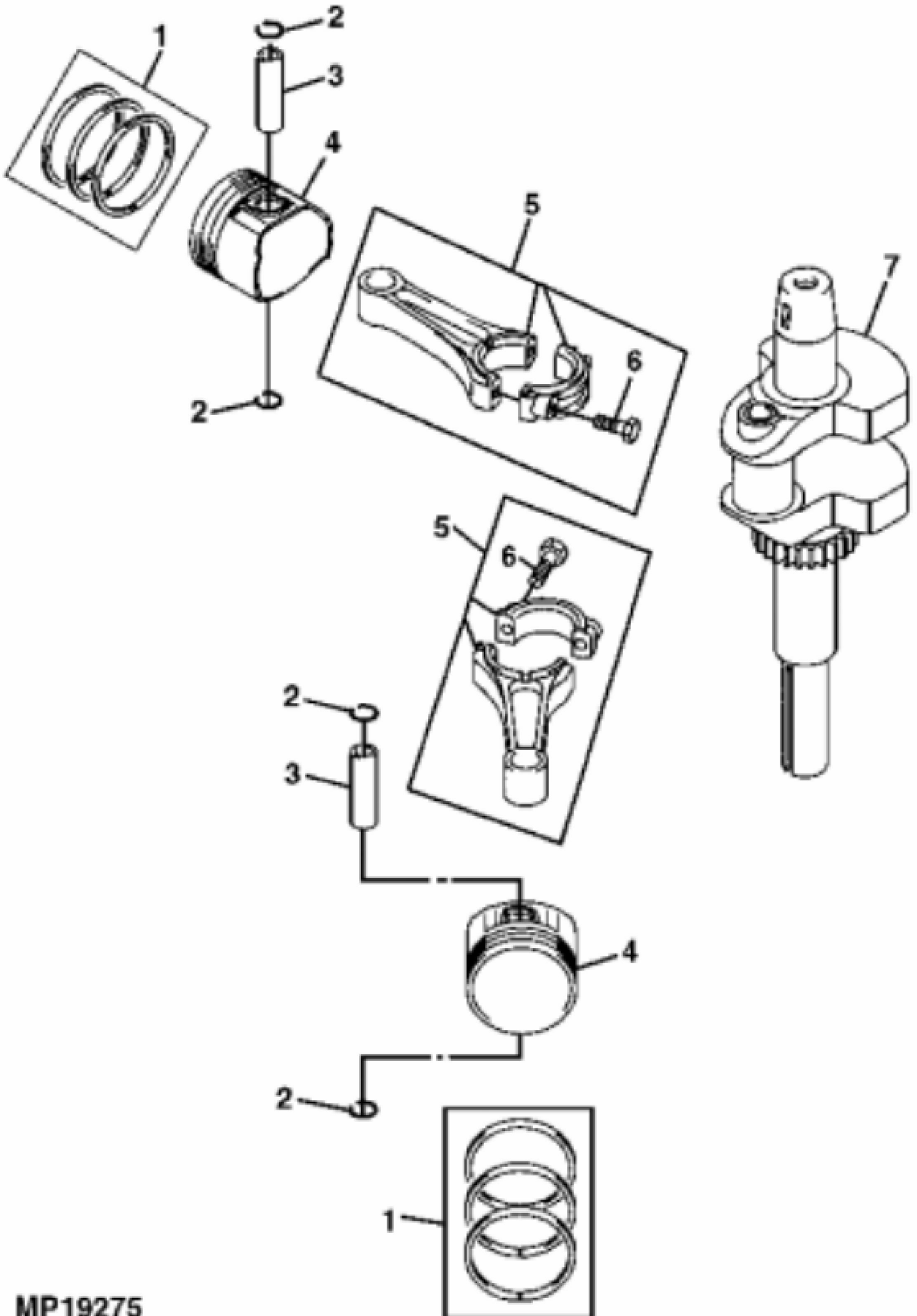
KEY	PART NO.	PART NAME	QTY	Serial No.	REMARKS
1	MIA10920	CRANKCASE	1		
2	FILTER ELEMENT	1	____-C28068	(ORDER MIA11393)
3	M140222	GASKET	1	____-C28068	BREATHER
3	MIU11731	GASKET	1	C28069-____	(A)
4	M140224	COVER	1	____-C28068	BREATHER
4	MIU11732	COVER	1	C28069-____	(A)
5	19M7774	SCREW	4	____-C28068	M6 X 12
5	19M7775	SCREW	4	C28069-____	M6 X 16, (A)
6	M150948	SEAL	1		
7	MIU11322	BOLT	2		
8	M138389	SEAL	4		
9	19M7320	CAP SCREW	4		M6 X 40
10	M140218	CASE	2		ROCKER
11	M140221	GASKET	2		ROCKER CASE
12	19M8319	SCREW	18		M8 X 50, (SUB FOR MIU11326)
13	MIA10402	CYLINDER HEAD	1		NO.1
14	M138388	PIN	6		
15	M147908	ENGINE CYLINDER HEAD GASKET	2		
16	M138395	STUD	4		NLA; ORDER MIU11736
16	MIU11736	BOLT	4		NLA; ORDER MIU12726
16	MIU12726	STUD	4		
17	M140220	GASKET	1		CRANKCASE COVER
18	AM135296	CYLINDER HEAD	1		NO.2
19	M147270	PLUG	1		NLA; ORDER MIU14001
19	MIU14001	PLUG	1		
20	M140231	SNAP RING	2		
21	M149282	SEAL	1		
22	M138392	SEAL	1		NLA; ORDER M151774
22	M151774	SEAL	1		
23	MIU11292	COVER	1		CRANKCASE
24	M140223	PLATE	1		
25	M140229	VALVE	1		
26	GC00331	SCREW	3		9.525 X 29.580 mm, NLA; ORDER GX24210; Engine Mount

KEY	PART NO.	PART NAME	QTY	Serial No.	REMARKS	
26	GX24210	SCREW	3		NLA	
27	21M7244	SCREW	1		M4 X 8	
28	E63525	NUT	1		M8	
29	19M7897	SCREW	1		M8 X 35	
..	MIA10928	SHORT BLOCK ASSEMBLY	1		(ENGINE MARKED FH721V-CS37, FH721V-DS37); SUB FORMIA11836	
..	MIA11393	COVER KIT	1		BREATHER (INCLUDES PARTS MARKED (A))	



John Deere > Turf And Utility >EZTRAK >Z465 - EZTRAK >Z465 EZtrak Residential Zero Turn Mower (Worldwide Edition) >20 ENGINE (KAWASAKI) MM16974 >ST767828 - CYLINDER HEAD AND CRANKCASE (150001 -)

KEY	PART NO.	PART NAME	QTY	REMARKS
1	MIU11325	BOLT	6	6 x 12
2	MIU12397	COVER	1	
3	MIU12395	GASKET	1	
4	MIU12398	PIPE	1	
5	21M7244	SCREW	1	M4 X 8
6	MIU13821	PLATE	1	
7	MIU11769	VALVE	1	
8	M149281	SEAL	1	
9	19M7863	SCREW	10	M6 X 25
10	MIU13778	CASE	1	
11	MIU12394	GASKET	2	
12	M138389	SEAL	4	
13	MIU12209	BOLT	6	10 x 25
14	MIU11776	BOLT	4	10 x 1.25 x 50
15	MIU12390	CYLINDER HEAD	1	
16	MIU12396	ENGINE CYLINDER HEAD GASKET	2	
17	M74252	PIN	6	
18	MIU11949	BOLT	4	8 x 22
19	MIU14499	COVER	1	SUB FOR MIU13779; Rocker
20	MIU13767	ADAPTER FITTING	1	
21	MIU12391	CYLINDER HEAD	1	
22	M123645	DRAIN PLUG	1	
23	MIA12337	CRANKCASE	1	
24	MIU12400	SEAL	1	
25	MIU12401	PLUG	1	
26	M151774	SEAL	1	
27	MIA12754	CRANKCASE	1	INCLUDES MIU14001 AND M123645AND MIU12401
28	MIU14507	PIPE	3	SUB FORMIU11770
29	M76104	O-RING	2	
30	19M8319	SCREW	10	M8 X 50, SUB FOR MIU11326
31	MIU14001	PLUG	1	



Thank you so much for reading.
Please click the “Buy Now!”
button below to download the
complete manual.



After you pay.

You can download the most
perfect and complete manual in
the world immediately.

Our support email:

ebooklibonline@outlook.com