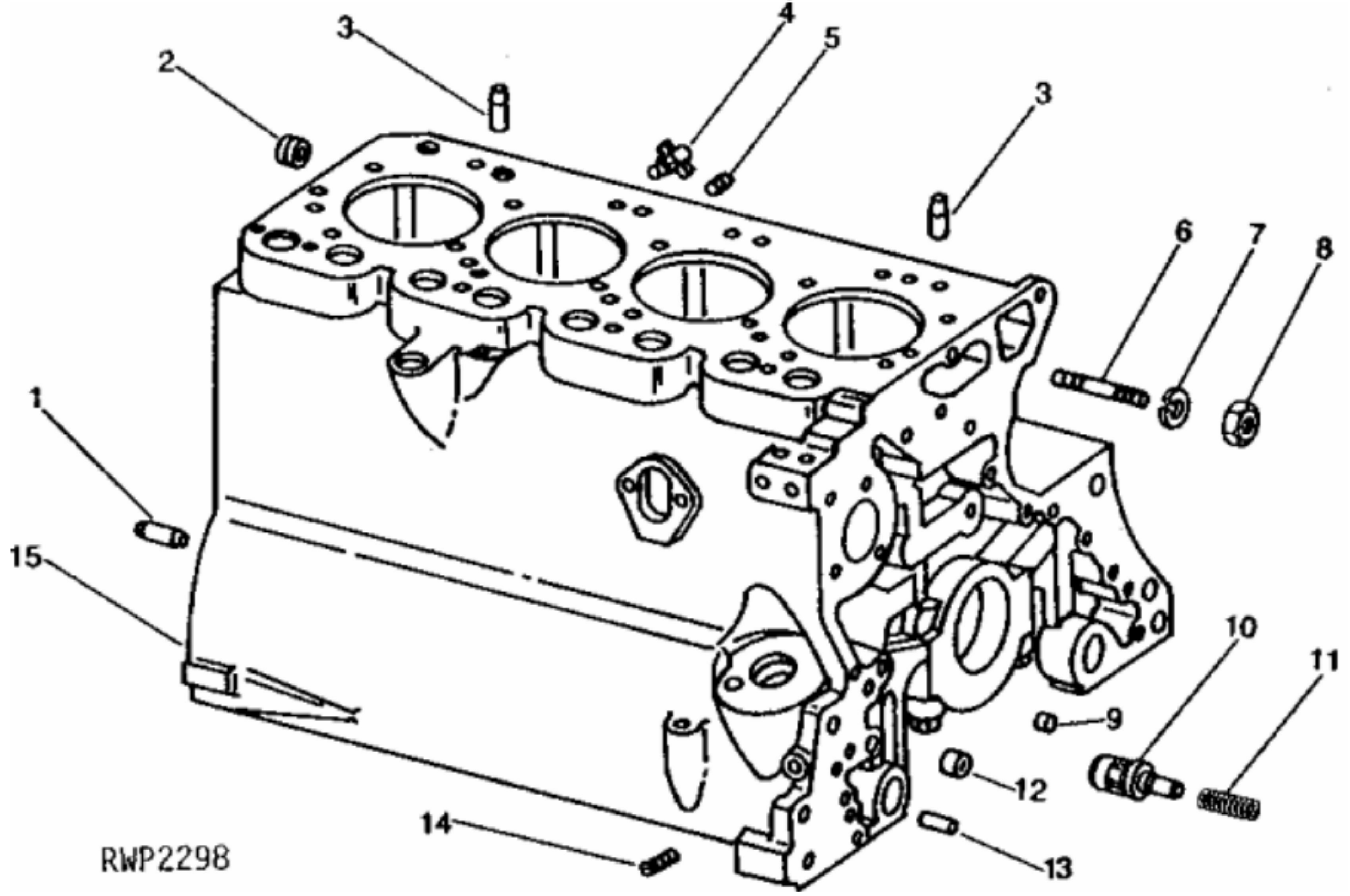
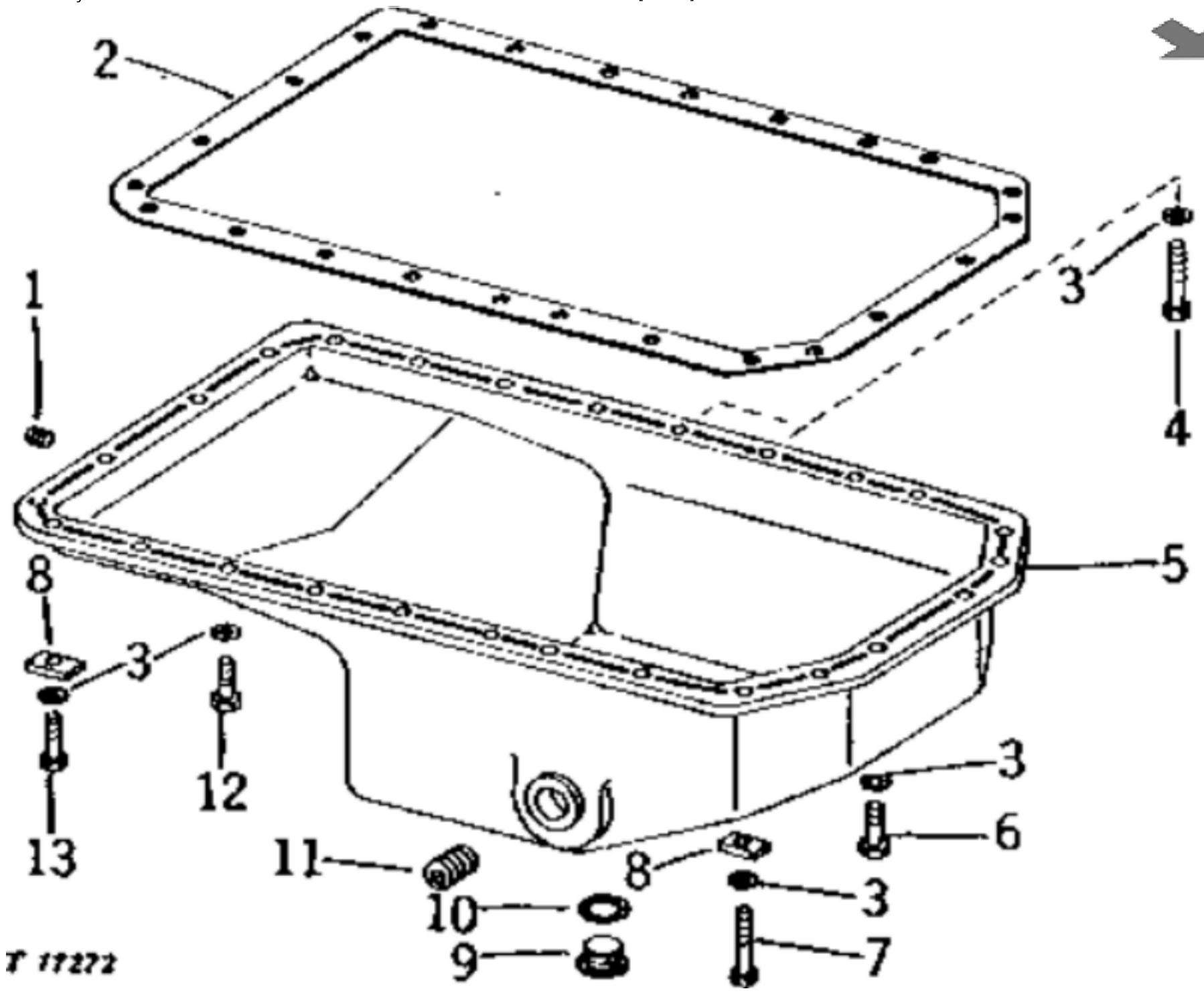


KEY	PART NO.	PART NAME	QTY	Engine Serial No.	REMARKS
1	R495R	O-RING	1		
2	R40791	CLAMP	1		(SUB FOR A4656R)
3	T20074	TUBE	1		
4	24H1685	WASHER	1		11/32" X 47/64" X 0.083"
5	T24151	CLAMP	2	____-017245	
5	T24151	CLAMP	1	017246-____	
6	19H1813	CAP SCREW	1		5/16" X 5/8"
7	AR45530	SCREW WITH WASHER	8	____-XXXXXX	(SUB FOR AR27702) (SUB AR103811)
7	AR100124	SCREW WITH WASHER	8	XXXXXX-____	
8	AT18015	VALVE COVER	1		
9	T20075	GASKET	1	____-XXXXXX	(SUB R73521 AND (8) AR100124)
9	R73521	GASKET	1	XXXXXX-____	(SUB FOR AR100596)
10A	RE35279	CYLINDER HEAD	1		(DIESEL) (MARKED T24756 OR R54560) (SUB FOR AT21801 OR AR62452) (SUB RE56308)
10B	AT21334	CYLINDER HEAD	1		(GASOLINE) (MARKED T19973)
11	A3910R	PLUG	2		
12	15H559	PIPE PLUG	1	____-082876	1/4", (DIESEL)
13	R98461	ENGINE CYLINDER HEAD GASKET	1		(SUB FOR T20040, R59448 OR R52790)
14	T20183	CAP SCREW	18		(DIESEL)
14	R85363	CAP SCREW	18		(DIESEL) (USE WITH RE19855)
14	T20182	CAP SCREW	14		(GASOLINE) (SUB R85363)
14	T20184	BOLT	4		(GASOLINE)
15	T20168	WASHER	18		(SUB FOR M2834T)



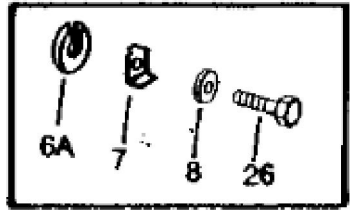
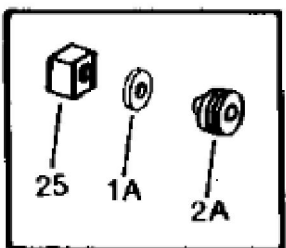
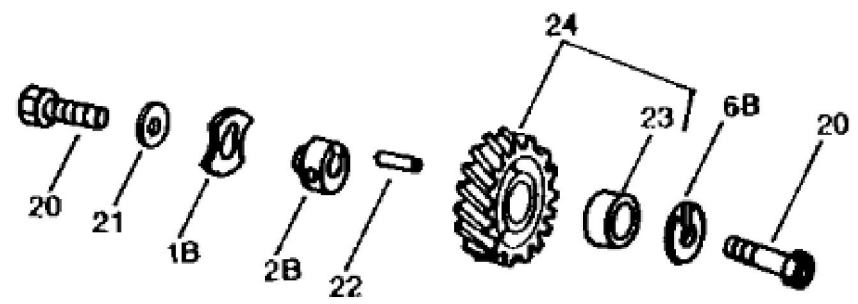
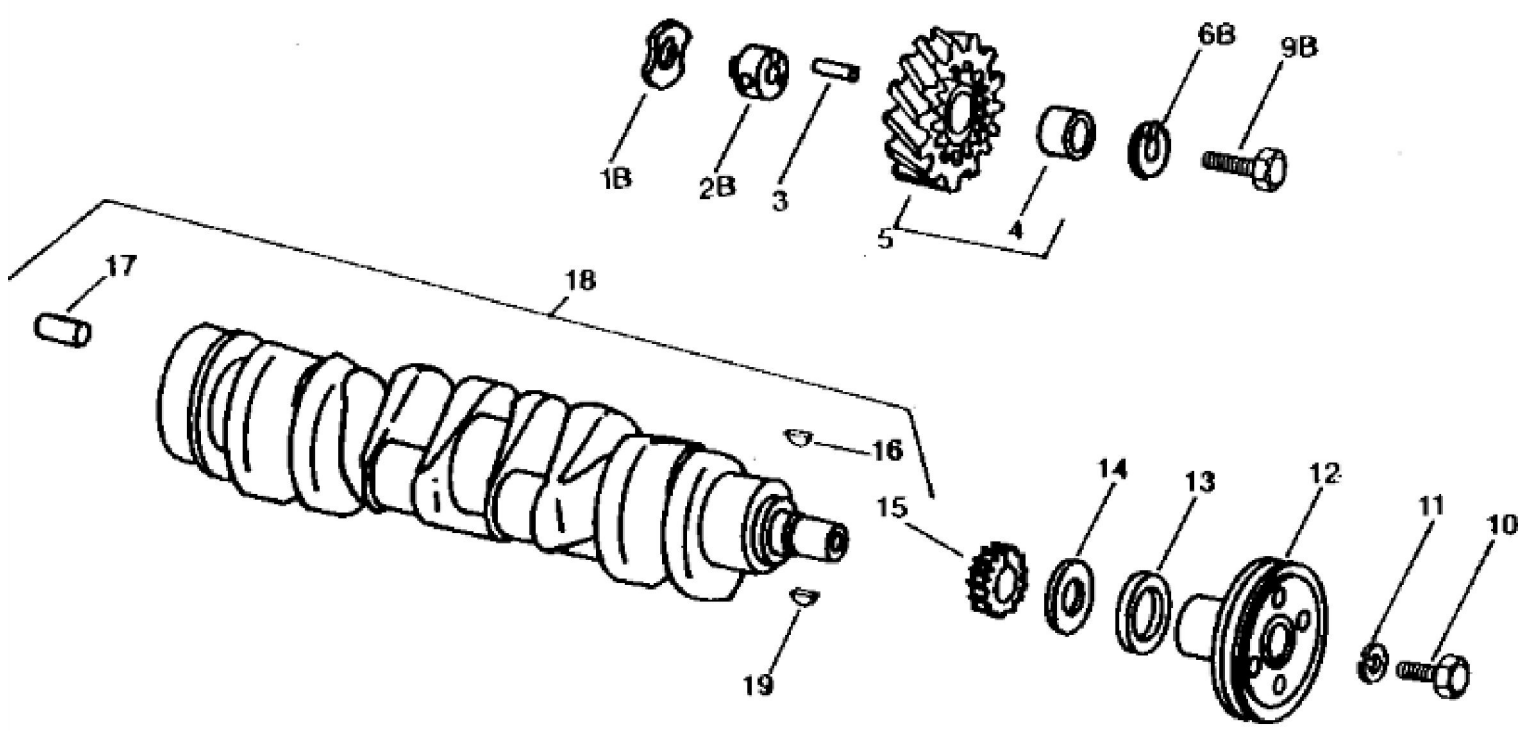
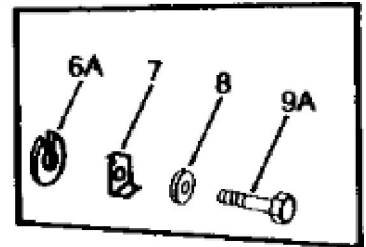
RWP2298

KEY	PART NO.	PART NAME	QTY	Engine Serial No.	REMARKS
1	R48685	DOWEL PIN	2		(SUB FOR A120R)
2	15H562	PIPE PLUG	1		1"
3	R26241	DOWEL PIN	2		
4	AT13740	DRAIN VALVE	1		(LESS ENGINE COOLANT HEATER) (SUB FOR AT27653)
4	T29381	HOSE FITTING	1		(ENGINE COOLANT HEATER) (SUB 15H198 AND T29388)
5	15H275	PIPE PLUG	1		1/4", (LESS ENGINE COOLANT HEATER)
5	T29381	HOSE FITTING	1		(ENGINE COOLANT HEATER) (SUB 15H198 AND T29388)
6	T33279	STUD	2		TIMING GEAR COVER, (SUB FOR T20173)
6	T25701	STUD	1		WATER PUMP
7	12H304	LOCK WASHER	3		3/8"
8	14H1076	NUT	3		3/8"
9	T18891	PLUG	2	078483-XXXXXX	
9	T18891	PLUG	1	XXXXXX-____	
10	R73139	FLOW CONTROL HYD. VALVE	1	XXXXXX-____	
11	R46625	SPRING	1	XXXXXX-____	
12	R26493	BUSHING	1		
13	R26650	DOWEL PIN	2		
14	15H255	PIPE PLUG	1	022937-____	3/8", (DIESEL)
14	15H255	PIPE PLUG	1	023759-____	3/8", (GASOLINE)
15	AR64725	CYLINDER BLOCK	1	____-XXXXXX	(DIESEL) (MARKED T24961, T26933, T32342 OR R55034) (ALSO ORDER (18) R53223) (SUB FOR AT18084 OR AT22749) (ALSO ORDER (4) T32340 AND (4) AR54747) (SUB FOR AT24997) (ALSO ORDER (18) R53223) (SUB FOR AT31590) (SUB AR97028, R46625, R73139, AND R131794)
15	AR97028	CYLINDER BLOCK	1	XXXXXX-____	(DIESEL) (MARKED R72973)
15	AT31585	CYLINDER BLOCK	1	____-XXXXXX	(GASOLINE) (MARKED T24960, T26932 OR T32349) (ALSO ORDER (4) AR71617 AND (4) T32350) (SUB FOR AT18083, AT22748 OR AT24996) (SUB AR97090, R46625, R73139 AND R73140)
15	AR97090	CYLINDER BLOCK	1	XXXXXX-____	(GASOLINE) (MARKED R72981) (NLA)



T 17272

KEY	PART NO.	PART NAME	QTY	Engine Serial No.	REMARKS
1	15H624	PIPE PLUG	1		1/2"
2	T24535	GASKET	1		(STEEL PAN)
2	R97342	GASKET	1		(CAST IRON PAN) (SUB FOR R49515)
3	12H304	LOCK WASHER	28		3/8"
4	19H1732	CAP SCREW	2		3/8" X 1-1/4", (ENGINE COOLANT HEATER)
5	AT18179	OIL PAN	1	____-080503	(SUB AT67734, T13213, T20098 AND 15H690)
5	AT67734	OIL PAN	1	080504-____	(SUB FOR AR66726)
6	19H2284	CAP SCREW	5		3/8" X 7/8"
7	19H1801	CAP SCREW	1		3/8" X 2"
8	24M7106	WASHER	4		10 X 18 X 2.500 MM, (SUB FOR T23200)
9	T20098	DRAIN PLUG	1		
10	T13213	WASHER	1		
11	15H564	PIPE PLUG	1	____-080503	3/4"
12	19H1936	CAP SCREW	AR		3/8" X 3/4", (19 USED ENGINE COOLANT HEATER) (21 USED LESS ENGINE COOLANT HEATER)
13	19H1732	CAP SCREW	1		3/8" X 1-1/4"



RWP4399

Thank you so much for reading.
Please click the “Buy Now!”
button below to download the
complete manual.



After you pay.

You can download the most
perfect and complete manual in
the world immediately.

Our support email:

ebooklibonline@outlook.com