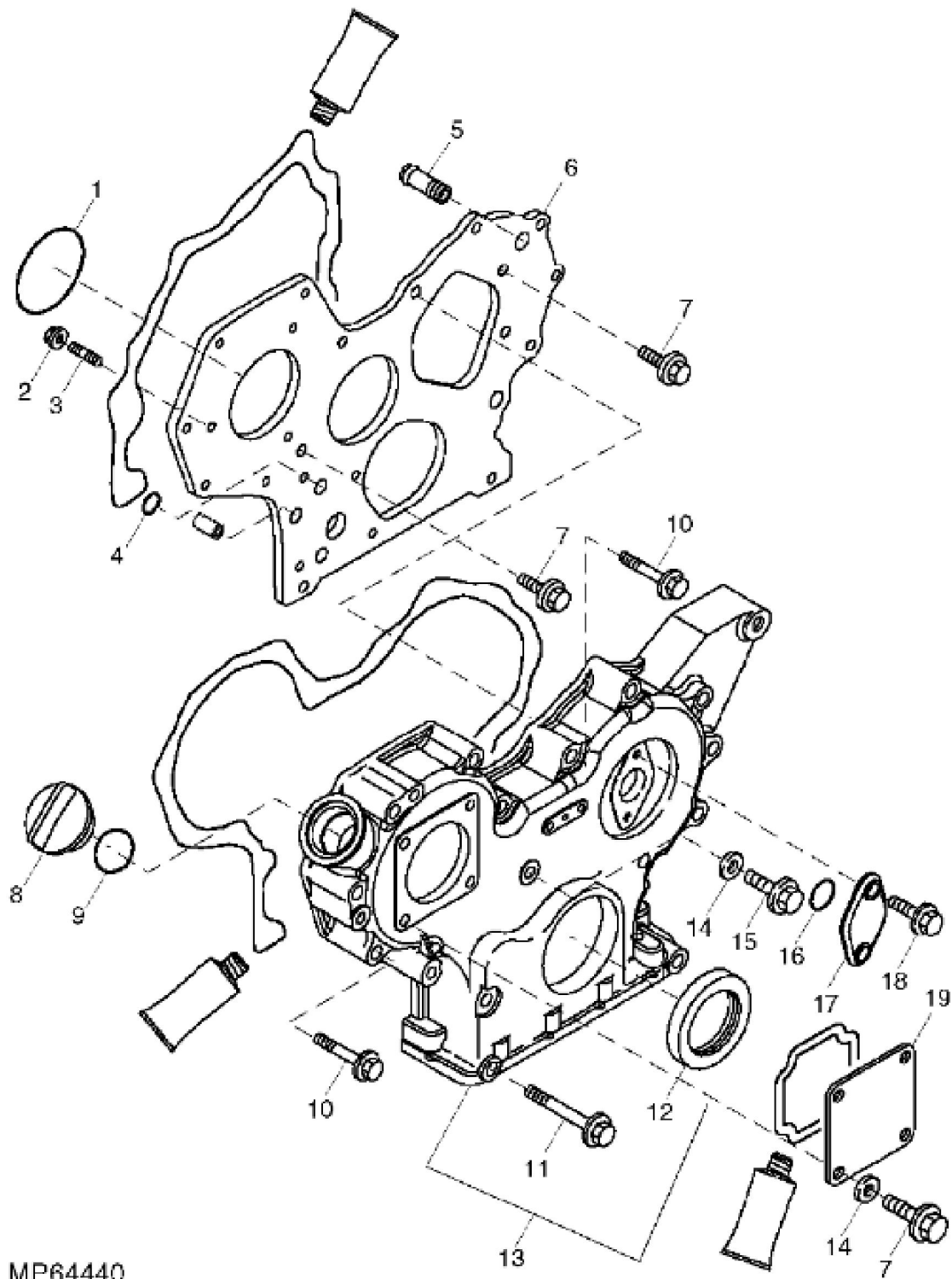


MP64439

John Deere > Turf And Utility > MOWER, FAIRWAY > 8700 - MOWER, FAIRWAY > 8700 PrecisionCut Lightweight Fairway Mower > 20 ENGINE 3TNV84HT MIA12541 > ST385702 - CYLINDER BLOCK AND MAIN BEARINGS

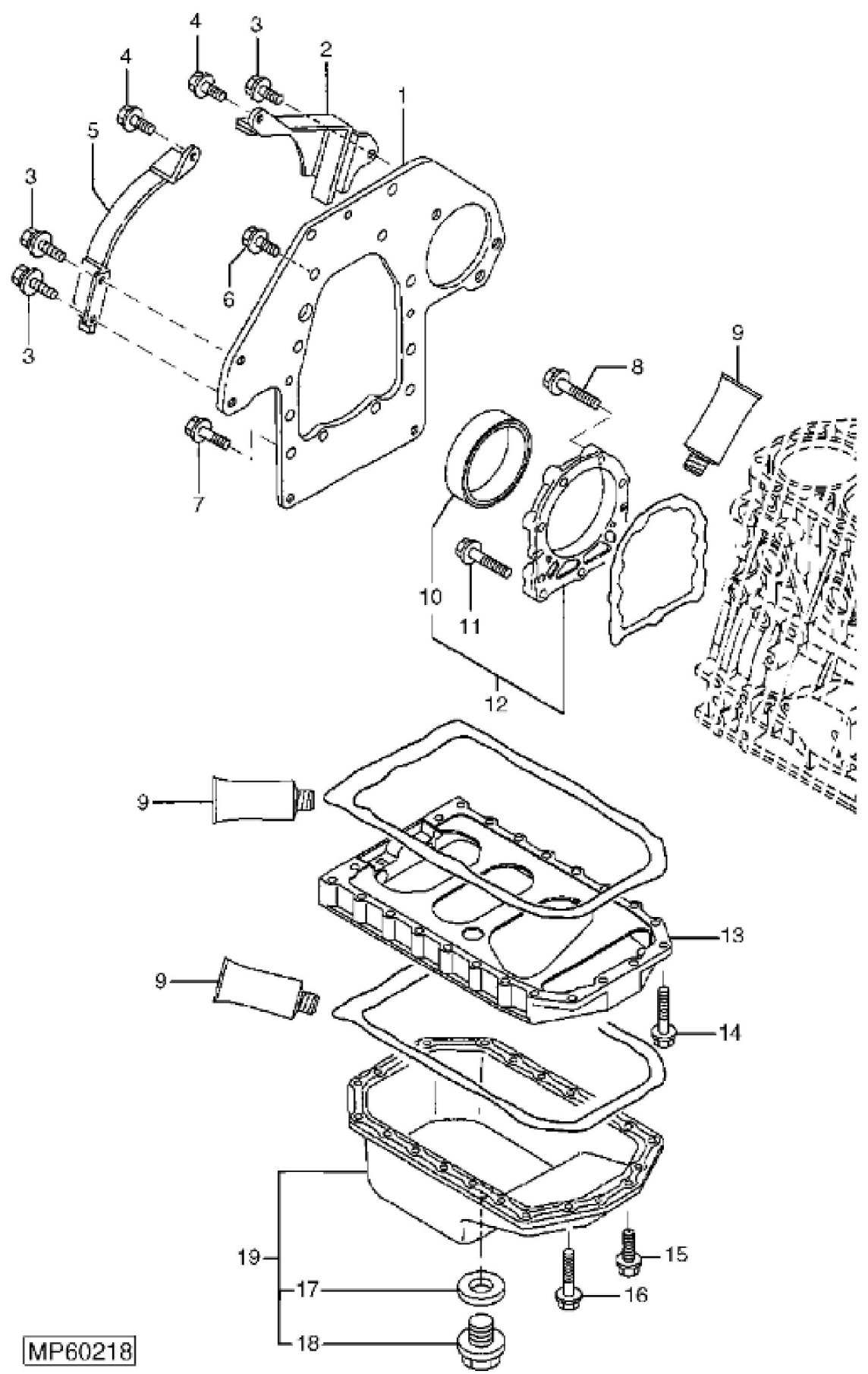
KEY	PART NO.	PART NAME	QTY	REMARKS
1	M801186	BOLT	14	
2	M806440	ENGINE CYLINDER HEAD GASKET	1	
3	CH18079	SPRING PIN	2	
4	DRAIN PLUG	1	
5	30M7023	PLUG	6	
6	CH10335	PLUG	3	
7	M802255	PIN	4	
8	15H562	PIPE PLUG	1	1"
9	MIU800573	CAMSHAFT	1	
10	MIU800797	SHAFT	1	
11	19M8317	SCREW	3	M8 X 40
12	M87801	PLUG	2	
13	M800974	PIPE	2	
14	CH10314	PLUG	1	
15	CH15575	PIN	3	
16	T110725	NOZZLE	3	
17	T110724	CHECK VALVE	3	
18	MIA880555	BEARING	2	
19	MIA880554	BEARING	4	STD
19	MIA880550	BEARING	4	US = 0.25
20	M801189	BOLT	8	
21	MIA880947	CYLINDER BLOCK	1	



MP64440

John Deere > Turf And Utility > MOWER, FAIRWAY > 8700 - MOWER, FAIRWAY > 8700 PrecisionCut Lightweight Fairway Mower > 20 ENGINE 3TNV84HT MIA12541 > ST385439 - GEAR CASE AND OIL PUMP

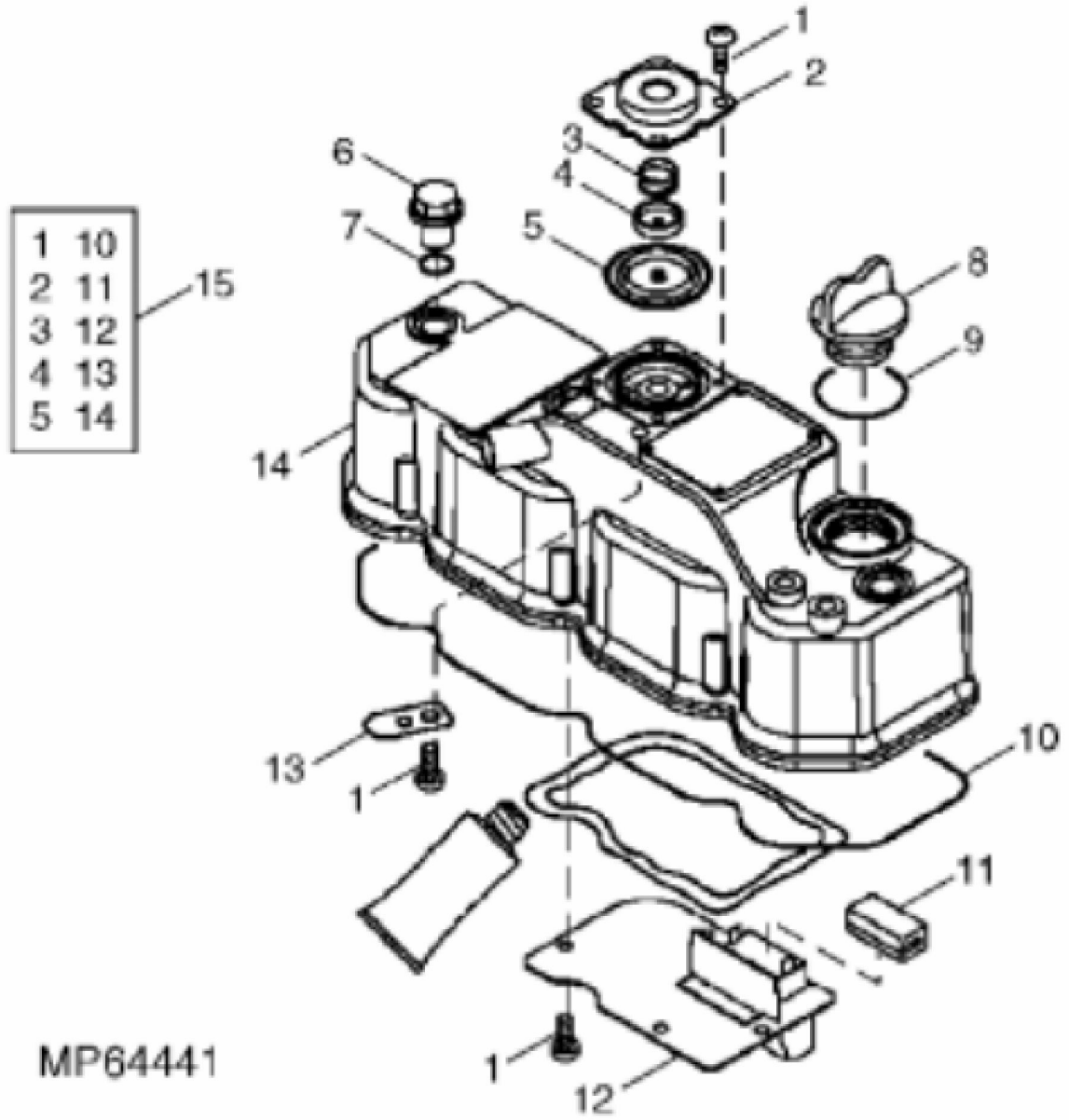
KEY	PART NO.	PART NAME	QTY	REMARKS
1	CH16940	O-RING	1	
2	14M7298	FLANGE NUT	3	M8
3	MIU800440	STUD	3	
4	M810185	O-RING	2	
5	T110730	UNIVERSAL JOINT	1	
6	MIU800906	FLANGE	1	
7	19M7865	SCREW	7	M8 X 16
8	M805710	CAP	1	
9	M805711	PACKING	1	
10	19M7979	SCREW	12	M8 X 55
11	CH19136	BOLT	3	
12	M811078	SEAL	1	
13	MIA880879	GEAR CASE	1	
14	M803523	WASHER	5	
15	19M7868	SCREW	1	M8 X 30
16	CH17653	PACKING	1	
17	CASE	1	
18	19M7774	SCREW	2	M6 X 12
19	CH18096	COVER	1	



MP60218

John Deere > Turf And Utility > MOWER, FAIRWAY > 8700 - MOWER, FAIRWAY > 8700 PrecisionCut Lightweight Fairway Mower > 20 ENGINE 3TNV84HT MIA12541 > ST385440 - MOUNTING FLANGE AND OIL PAN

KEY	PART NO.	PART NAME	QTY	REMARKS
1	M800991	PLATE	1	
2	M805003	HOUSING	1	FLYWHEEL
3	CH20044	BOLT	3	
4	19M7268	CAP SCREW	2	M12 X 25
5	M805004	HOUSING	1	
6	M800011	BOLT	6	
7	19M7402	CAP SCREW	4	M10 X 25
8	19M7868	SCREW	6	M8 X 30
9	M64850	SEALANT	AR	
10	M805278	SEAL	1	
11	19M7897	SCREW	3	M8 X 35
12	AM875375	CASE	1	OIL SEAL
13	M801735	RESERVOIR	1	INTERMEDIATE
14	19M7865	SCREW	4	M8 X 16
15	19M7867	SCREW	2	M8 X 25
16	CH19101	BOLT	20	
17	M806545	WASHER	1	
18	M800994	DRAIN PLUG	1	
19	AM878538	OIL PAN	1	



MP64441

Thank you so much for reading.
Please click the “Buy Now!”
button below to download the
complete manual.



After you pay.

You can download the most
perfect and complete manual in
the world immediately.

Our support email:

ebooklibonline@outlook.com