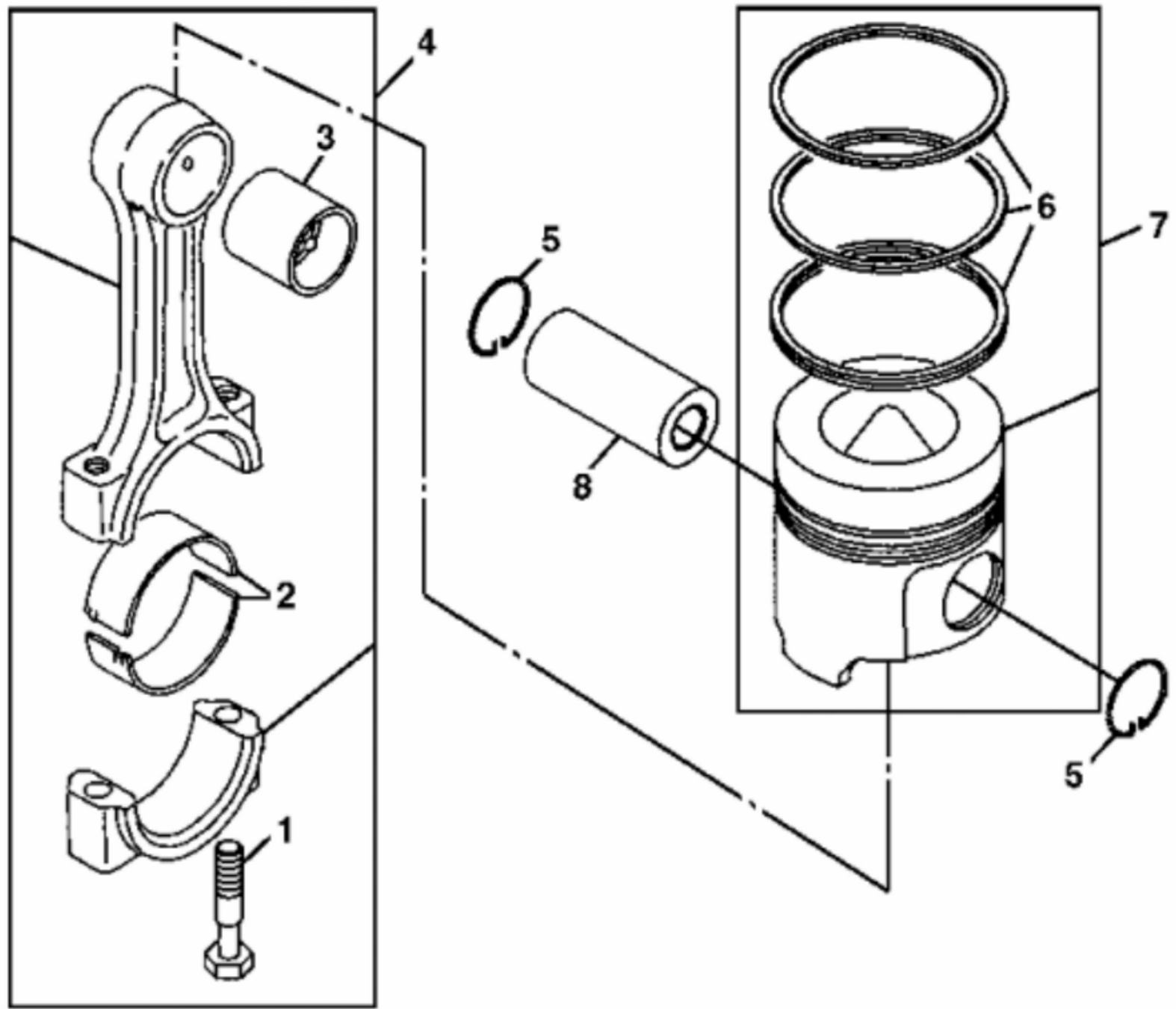


MP33163

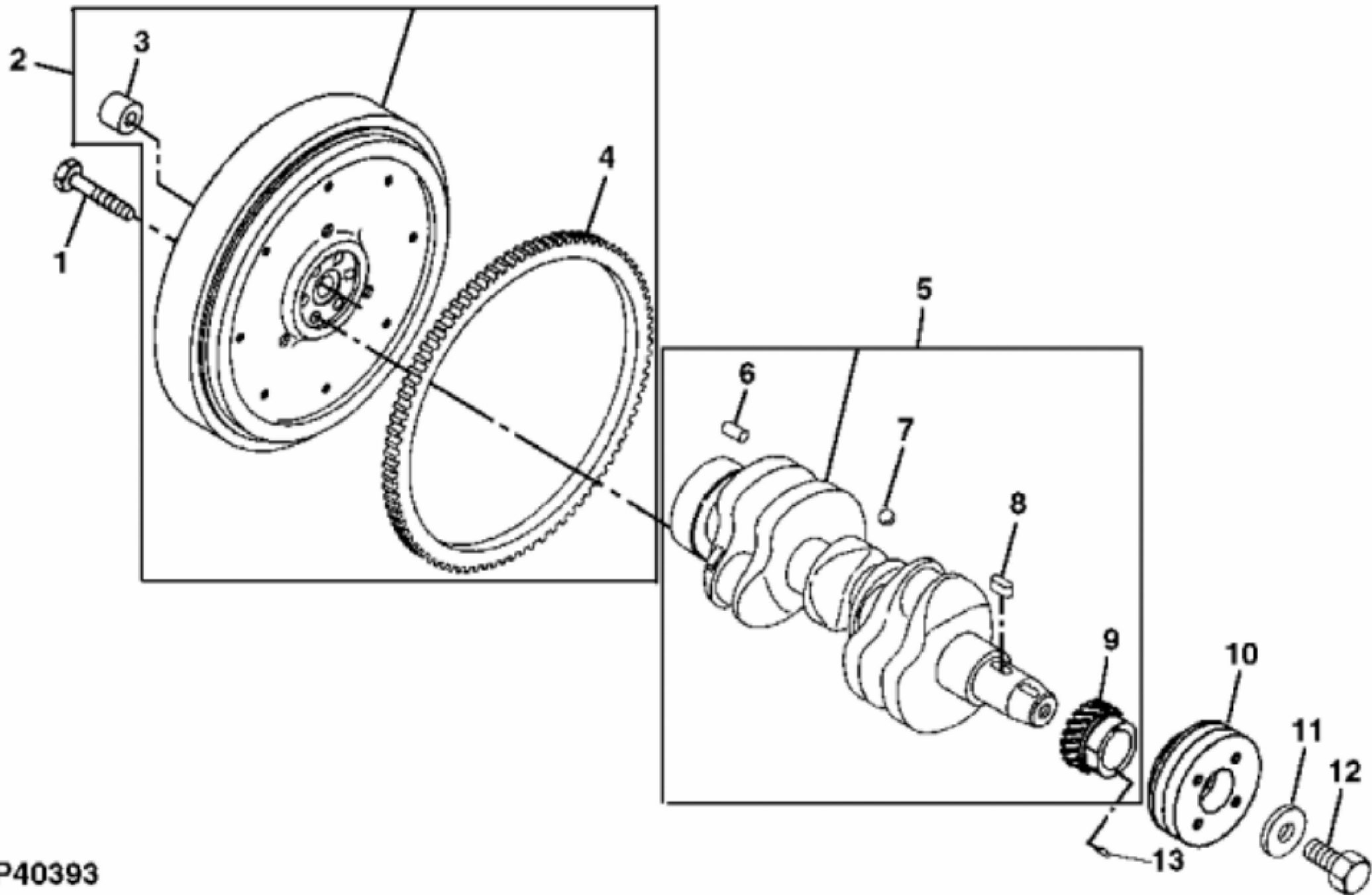
KEY	PART NO.	PART NAME	QTY	REMARKS	
1	CH10348	NUT	3		
2	CH10568	PACKING	3		
3	AM881996	VALVE COVER	1		
4	M807374	SCREW	8		
5	M811649	COVER	1	BREATHER	
6	M811650	SPRING	1		
7	M811046	PLATE	1		
8	M811048	DIAPHRAGM	1		
9	M811353	PLATE	1		
10	M801032	DEFLECTOR	1		
11	M811359	GASKET	1		
..	M64850	SEALANT	AR		



MP18666

KEY	PART NO.	PART NAME	QTY	REMARKS	
1	M801068	BOLT	2		
2	MIA880562	BEARING	1	STD	
2	MIA880567	BEARING	1	.25 MM (.010"), US	
3	M801075	BEARING	1		
4	AM875320	CONNECTING ROD	3		
5	RG60161	SNAP RING	6		
6	AM881986	PISTON RING KIT	1	STD	
6	PISTON RING KIT	1	.25 MM (.010"), OS	
7	MIA880842	PISTON	3	STD	
7	MIA880843	PISTON	3	.25 MM (.010"), OS	
8	M806430	PISTON PIN	3		

KEY	PART NO.	PART NAME	QTY	REMARKS
1	M802618	BRACKET	1	
2	CH13505	BALL BEARING	2	
3	AM876339	KIT	1	H.O. GEAR PUMP
4	M805840	GASKET	1	
5	M801047	PUSH ROD	6	
6	M801046	CAM FOLLOWER	6	
7	AM881983	CAMSHAFT	1	
8	M801045	SHAFT KEY	1	
9	THRUST BEARING	1	
10	GEAR	1	
11	CH19780	BOLT	2	
12	MIU800595	BUSHING	1	
13	MIA880571	IDLER GEAR	1	
14	M811057	GEAR	1	PUMP
15	BOLT	4	(NSEP)
16	CH17448	NUT	1	
17	12M7068	LOCK WASHER	1	14 mm
18	FLANGE	1	(NSEP)



MP40393

Thank you so much for reading.
Please click the “Buy Now!”
button below to download the
complete manual.



After you pay.

You can download the most
perfect and complete manual in
the world immediately.

Our support email:

ebooklibonline@outlook.com