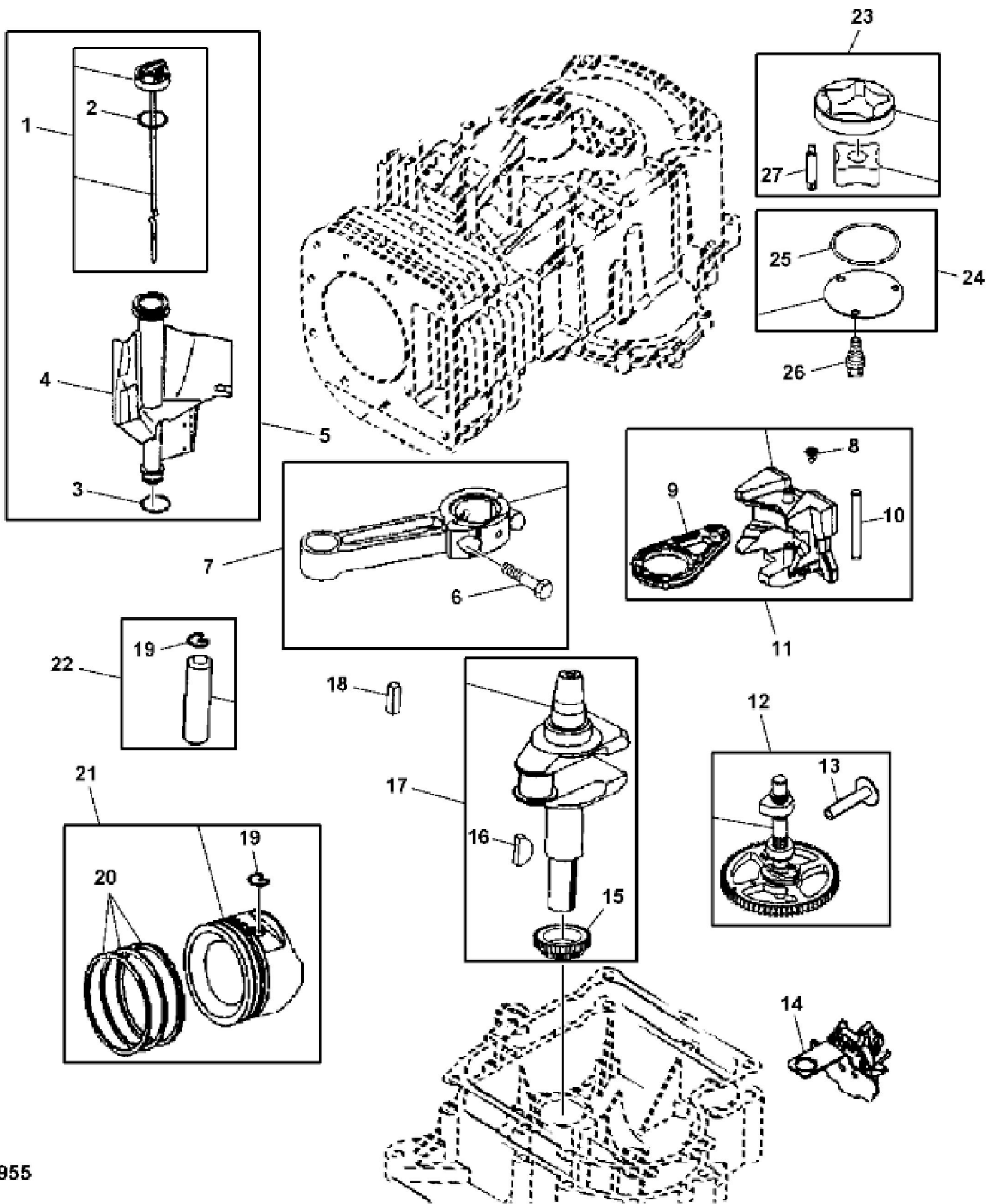


KEY	PART NO.	PART NAME	QTY	Serial No.	REMARKS
1	MIU11635	CAP	1		
2	MIA13017	SCREEN KIT	1		USE WITH MIA12224 AND MIA12436; SUB FOR MIU11634 AND MIA11525
2	MIA11594	SCREEN	1		MARKED 33R877-0004-G1
3	MIU12152	SCREW	2		Engine Marked 31P677-0239-B1
4	MIU12139	FAN	1		(SUB FOR MIU11637) (USE WITH MIA11015, MIA11633, MIA11634, MIA12225 AND MIA11841) (Engine Marked 31P677-0239-B1) Flywheel
4	MIU12159	FAN	1		(Engine Marked 31P677-0140-B1, 31P677-0141-G1)
5	M153303	SCREW	1		
6	AM135134	FLYWHEEL	1		USE WITH MIA12224
6	MIA12501	FLYWHEEL	1		MARKED 33R877-0004-G1
7	LG691265	SNAP RING	1		
8	LG693713	PINION	1		
9	M147508	SCREW	2		
10	MIU11682	TUBE	1		
11	MIU11631	COVER	1		Breather Passage
12	GASKET	1		(MAKE FROM M64850)
12	M147564	GASKET	1		(USE WITH MIA11633, MIA11634, MIA12225 AND MIA11841) (Engine Marked 31P677-0239-B1) Breather
13	M147507	SCREW	2		
14	M147501	BREATHER	1		Reed
15	MIA11419	CYLINDER	1		SUB FOR MIA11101
15	MIA12502	CYLINDER	1		MARKED 33R877-0004-G1
16	LG391086S	SEAL	1		Oil
17	M147497	BUSHING	1		Governor
18	LG692407	SEAL	1		Governor
19	LG690959	DOWEL PIN	2		
20	OIL TUBE	1		(ORDER AM131611)
21	T77932	O-RING	1		
22	M144897	CAP	1		
23	AM131611	OIL TUBE	1		Drain
24	MIU12709	SCREEN	1		(SUB FOR LG690770)
25	M147513	GASKET	1		

KEY	PART NO.	PART NAME	QTY	Serial No.	REMARKS
26	MIU11958	SEAL	1		PTO Side (SUB FOR MIU11212)
27	15H638	PIPE PLUG	1		1/8"
28	AM135143	RESERVOIR	1		NLA; ORDER MIA12717; SUB FOR MIA11429
28	MIA12717	RESERVOIR	1		
29	GC00331	SCREW	4		NLA; ORDER GX24210; Engine Mounting
29	GX24210	SCREW	4		
30	15H623	PIPE PLUG	1		3/8", (SUB FOR LG690946)
31	LG692125	CAP SCREW	10		
32	AM125424	OIL FILTER	1		MARKED 33R877-0004-G1, 31P677-0557-B2
33	PM37469	LIQUID GASKET	AR		
34	LG399265	BEARING	1		NLA; ORDER MIA11778
34	MIA11778	SEAL KIT	1		
35	MIU12155	WASHER	1		
36	MIA10696	BALL	1		(NLA) (And Spring)
37	MIU13976	WASHER	1		MARKED 33R877-0004-G1; USE WITH MIA11594
38	MIA11014	GASOLINE ENGINE	1		(Not Illustrated) MARKED 31P677-0132-B1; (SUB MIA11243)
38	MIA11015	GASOLINE ENGINE	1	____-200000	(Not Illustrated) MARKED 31P677-0134-G1; (California
38	AM134602	SHORT BLOCK ASSEMBLY	1		(Not Illustrated) MARKED 31P677-0134-G1) (California
38	MIA11841	GASOLINE ENGINE	1		(ORDER MIA11015) (Not Illustrated) ORDER MIA11893; MARKED 31P677-
38	MIA11395	GASOLINE ENGINE	1		0144-B3; (SUB MIA11893) (SUB FOR MIA11243,
38	MIA11634	GASOLINE ENGINE	1		MIA11394 OR MIA11633)
38	MIA12070	GASOLINE ENGINE	1		(Not Illustrated) ORDER MIA11634; MARKED 31P677-
38	MIA12225	GASOLINE ENGINE	1		0141-G1; California
38	MIA12437	GASOLINE ENGINE	1		(Not Illustrated) ORDER MIA12070; MARKED 31P677-
38	MIA11893	GASOLINE ENGINE	1		0145-G1; California
38	MIA12071	GASOLINE ENGINE	1		(Not Illustrated) ORDER MIA12225; California
38	MIA12224	GASOLINE ENGINE	1		(Not Illustrated) ORDER MIA12437
38	MIA12436	GASOLINE ENGINE	1		(Not Illustrated) ORDER MIA12437
38	MIA11893	GASOLINE ENGINE	1		(Not Illustrated) ORDER MIA12621
38	MIA12071	GASOLINE ENGINE	1		(Not Illustrated) ORDER MIA12071; MARKED
38	MIA12224	GASOLINE ENGINE	1		31P677-0239-B1
38	MIA12436	GASOLINE ENGINE	1		(Not Illustrated) ORDER MIA12224
38	MIA12436	GASOLINE ENGINE	1		(Not Illustrated) ORDER MIA12436
38	MIA12436	GASOLINE ENGINE	1		(Not Illustrated) ORDER MIA12621; MARKED 31P677-
38	MIA12436	GASOLINE ENGINE	1		0557-B2

KEY	PART NO.	PART NAME	QTY	Serial No.	REMARKS	
38	MIA12621	GASOLINE ENGINE	1		(Not Illustrated) MARKED 33R877-0004-G1	

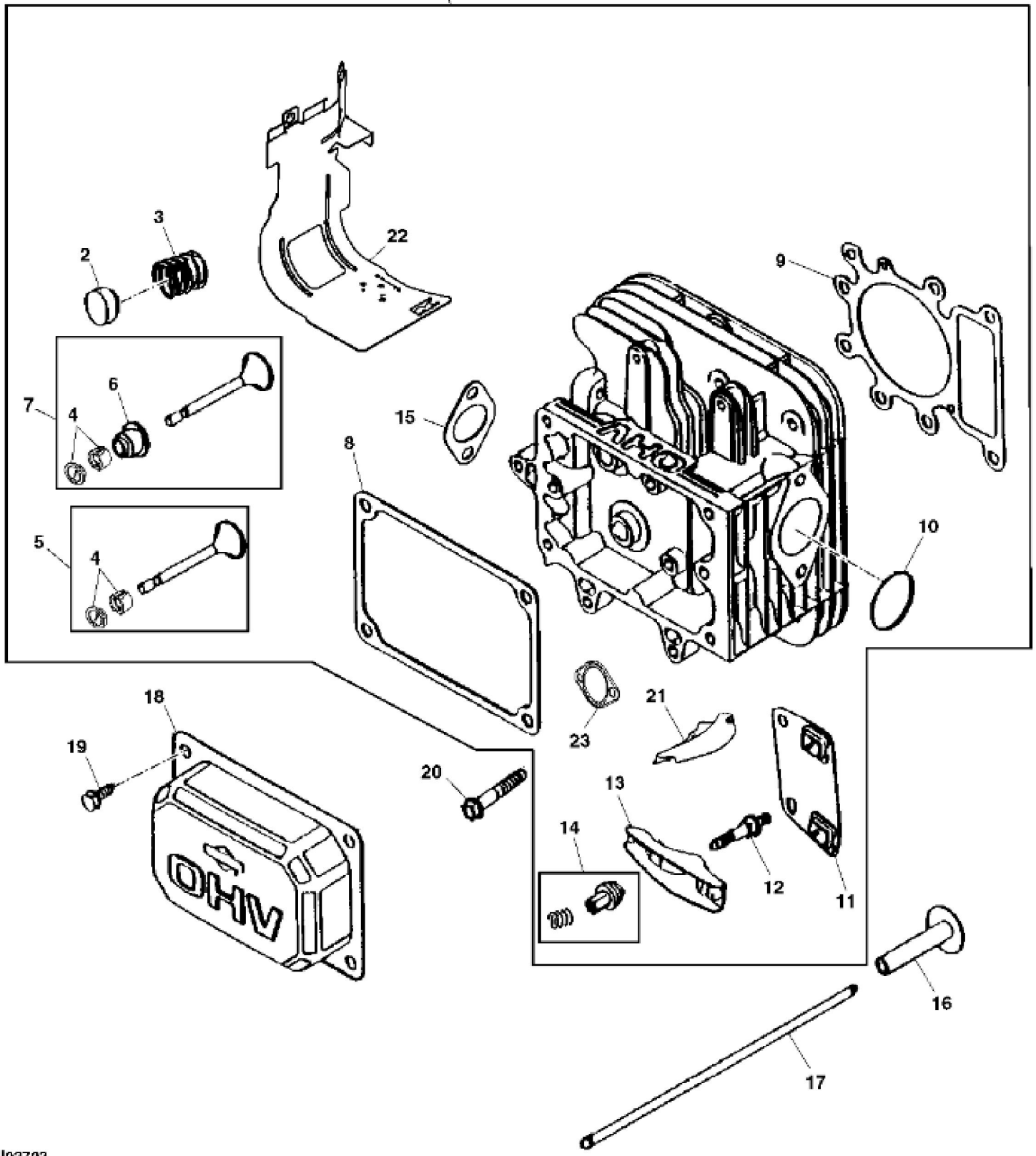


PU00955

KEY	PART NO.	PART NAME	QTY	REMARKS
1	AM135145	DIPSTICK	1	
2	LG691031	O-RING	1	
3	LG691032	SEAL	1	
4	M152554	DIPSTICK TUBE	1	
5	AM135144	DIPSTICK TUBE	1	
6	MIU11051	SCREW	2	
7	MIA11126	CONNECTING ROD	1	
8	MIU11437	PLUG	1	
9	MIU11436	LINK	2	
10	M152556	PIN	1	
11	MIA10989	COUNTERWEIGHT	1	
12	MIA11377	CAMSHAFT	1	(SUB FOR MIA11157)
13	LG690564	TAPPET	2	
14	LG691968	OIL SLINGER	1	
15	M147512	GEAR	1	TIMING
16	LG691639	SHAFT KEY	1	
17	MIA10982	CRANKSHAFT	1	
18	LG222698S	SHAFT KEY	1	Flywheel
18	MIU13972	KEY	1	MARKED 33R877-0004-G1
19	M152553	LOCK	2	
20	MIA10691	PISTON RING KIT	2	STANDARD
20	MIU11639	PISTON RING KIT	1	(.50 MM (.020")), OS
20	MIU11715	PISTON RING KIT	1	MARKED 33R877-0004-G1; STD
21	MIA11421	PISTON	1	(SUB FOR MIA10690) STANDARD
21	MIA11430	PISTON	1	(.50 MM (.020")), OS (SUB FOR MIA10918)
21	MIA11780	PISTON	1	MARKED 33R877-0004-G1
22	AM132347	PISTON PIN	1	
22	MIA11423	PISTON PIN	1	STANDARD (USE WITH MIA11243, MIA11395, MIA11633, MIA11634, MIA12225 AND MIA11841)
22	MIA11781	PISTON PIN	1	MARKED 33R877-0004-G1
23	MIA11172	OIL PUMP	1	
24	LG499613	COVER	1	
25	LG690589	SEAL	1	
26	MIU11119	SCREW	3	

KEY	PART NO.	PART NAME	QTY	REMARKS	
27	SHAFT	2	OIL PUMP (ORDER MIA11172)	
28	MIA12357	PISTON RING KIT	1	(Not Illustrated)	

1



Thank you so much for reading.
Please click the “Buy Now!”
button below to download the
complete manual.



After you pay.

You can download the most
perfect and complete manual in
the world immediately.

Our support email:

ebooklibonline@outlook.com