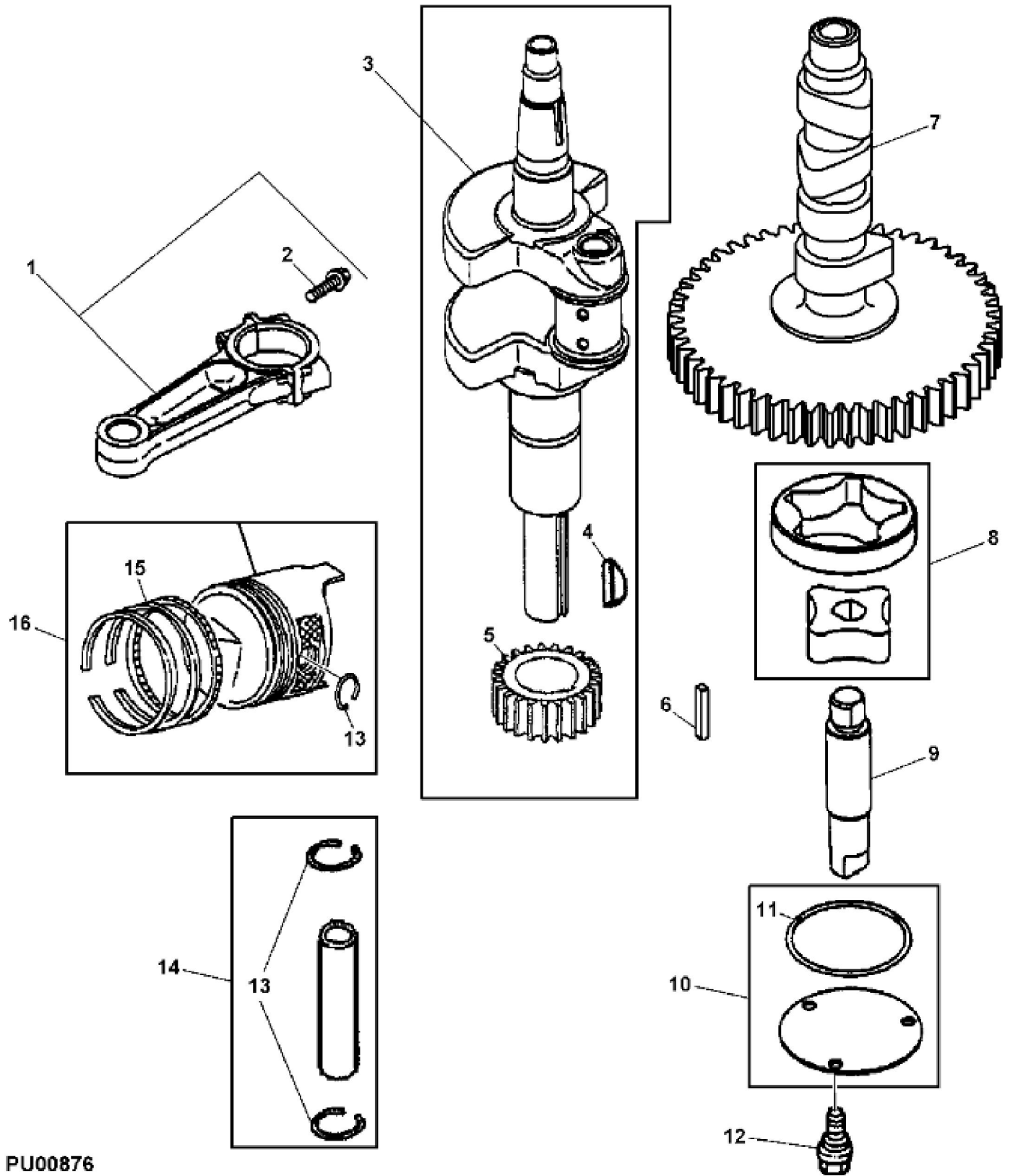


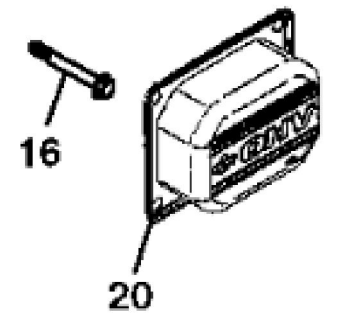
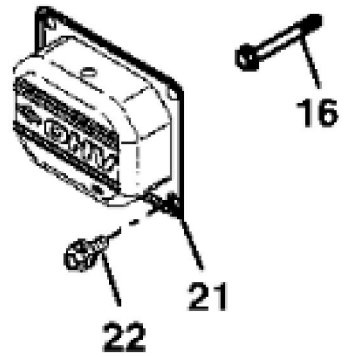
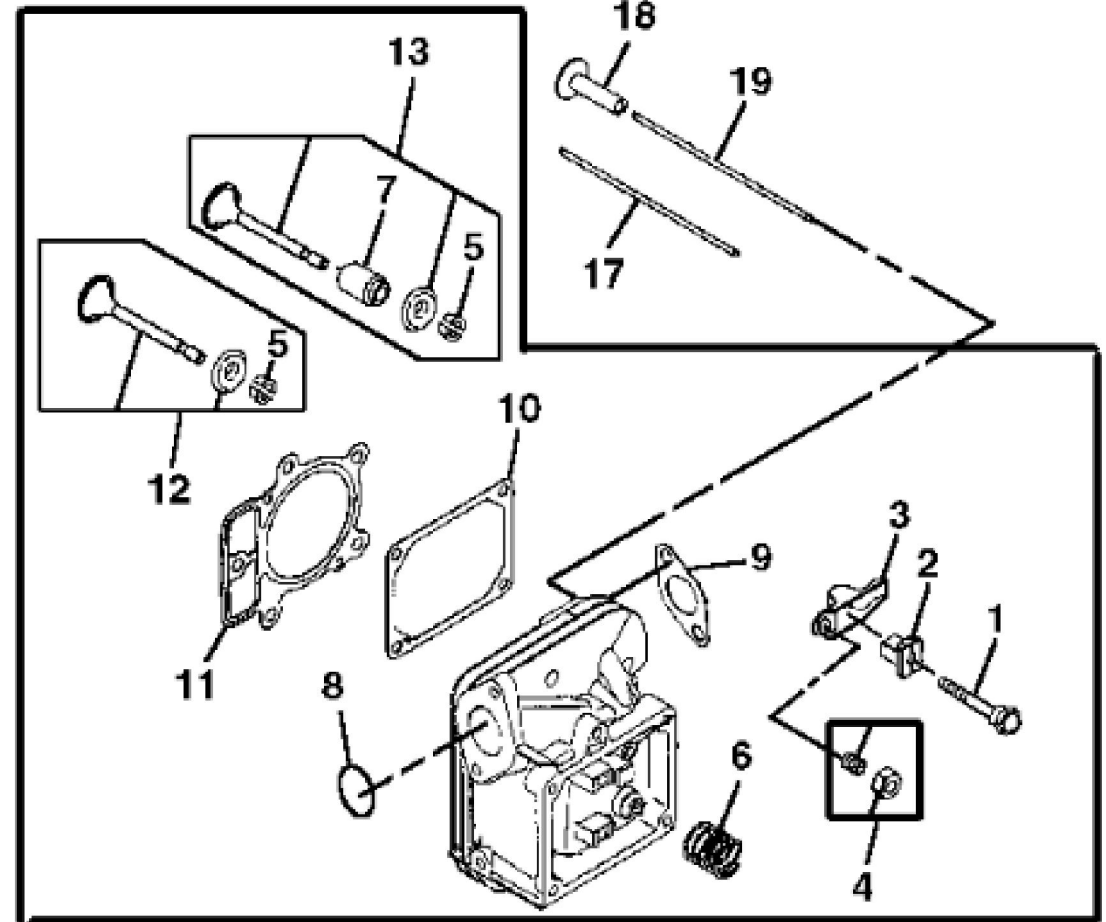
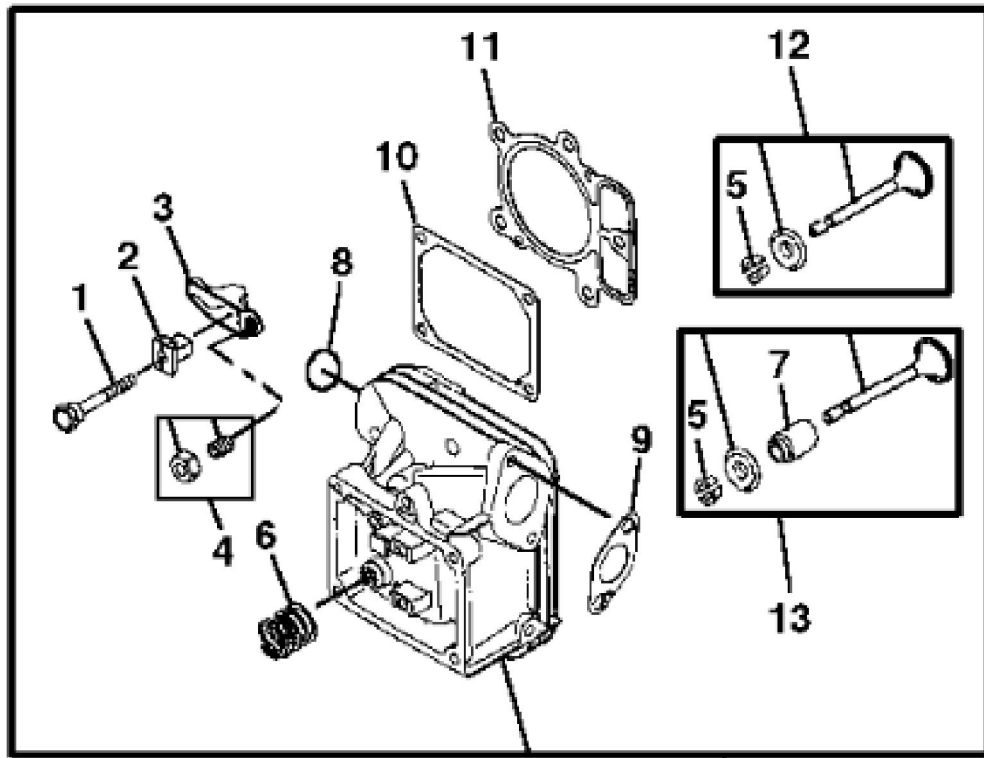
| KEY | PART NO. | PART NAME | QTY | Serial No. | REMARKS |
|-----|-----------|-----------------|-----|-------------|---|
| 1 | UC11104 | DIPSTICK | 1 | | SUB FOR LG499602 |
| 2 | LG691031 | O-RING | 1 | | |
| 3 | LG691036 | DIPSTICK | 1 | | |
| 4 | LG691032 | SEAL | 1 | | |
| 5 | LG691037 | OIL TUBE | 1 | | |
| 6 | M153266 | SCREW | 1 | | |
| 7 | LG391086S | SEAL | 1 | | |
| 8 | MIA11778 | SEAL KIT | 1 | | SUB FOR LG499585 |
| 9 | LG690959 | DOWEL PIN | 6 | | |
| 10 | MIA10607 | CYLINDER | 1 | | NLA; ORDER MIA11033 |
| 10 | MIA11033 | CYLINDER | 1 | | NLA; ORDER MIA12510 |
| 10 | MIA13076 | CYLINDER | 1 | | SUB FOR MIA12510 |
| 11 | MIU14436 | GASKET | 1 | | SUB FOR M150226 AND MIU13979 |
| 12 | LG690770 | SCREEN | 1 | | (A) |
| 12 | MIU12140 | SCREEN | 1 | | Engine MARKED 44M777-0147-G1 |
| 13 | LG690946 | DRAIN PLUG | 1 | | NLA; ORDER 15H623 (Engine Marked 44M777-0147-G1, 0148-B1) |
| 13 | 15H623 | PIPE PLUG | 1 | | 3/8" |
| 13 | LG691680 | DRAIN PLUG | 1 | | (A) |
| 14 | LG690954 | THREADED NIPPLE | 1 | | (A) |
| 15 | 15H638 | PIPE PLUG | 1 | | 1/8", (A) |
| 16 | MIU11958 | SEAL | 1 | | (A) |
| 17 | MIU11284 | SEAL | 1 | | (A) Governor Shaft |
| 18 | M142281 | BUSHING | 1 | | (A) Governor Crank |
| 19 | AM134054 | RESERVOIR | 1 | | NLA (Sub MIA11584) (Includes Parts Marked (A)) |
| 19 | MIA11584 | RESERVOIR | 1 | | (Sub For MIA11460) (Also Includes MIA11464, MIU12143 And (3) MIU12142) |
| 20 | AM125424 | OIL FILTER | 1 | | |
| 21 | LG690957 | RETAINER | 1 | | |
| 22 | MIU11502 | BREATHER | 1 | | |
| 23 | LG691108 | SCREW | 3 | ____-200000 | 8 X 1/2 |
| 23 | 37H74 | SCREW | 3 | 200001-____ | Slt'd Hex Hd |
| 24 | MIU14443 | TUBE | 1 | | SUB FOR MIU11280 |
| 25 | | GASKET | 1 | ____-200000 | (Make From M64850) |

| KEY | PART NO. | PART NAME | QTY | Serial No. | REMARKS | |
|-----|----------|-----------------|-----|---------------|--|--|
| 25 | LG690937 | GASKET | 1 | 200001-_____ | | |
| 26 | MIA10872 | BREATHER | 1 | | | |
| 27 | M142896 | SCREW | 10 | | | |
| 28 | LG691045 | CRANK | 1 | | Governor | |
| 29 | M142282 | BUSHING | 2 | | | |
| 30 | M142286 | RETAINER | 1 | | | |
| 31 | M142280 | WASHER | 1 | | | |
| 32 | GC00331 | SCREW | 4 | | NLA; ORDER GX24210; Engine Mounting | |
| 32 | GX24210 | SCREW | 4 | | | |
| 33 | AM131611 | DRAIN PLUG | 1 | | Oil Drain | |
| 34 | | TUBE | 1 | | | |
| 35 | T77932 | O-RING | 1 | | | |
| 36 | M144897 | CAP | 1 | | | |
| 37 | PM37469 | LIQUID GASKET | 1 | | | |
| .. | MIA11082 | GASOLINE ENGINE | 1 | _____200000 | (NLA) (Marked 44M777-0122-B1) (Sub For MIA11467) (Sub MIA11400) (Order GY21107 (Combined Choke And Throttle Cable) With Engine) | |
| .. | MIA11083 | GASOLINE ENGINE | 1 | _____200000 | (Marked 44M777-0123-G1) (California) (SUB MIA11401) (Order GY21107 (Combined Choke And Throttle Cable) With Engine) | |
| .. | MIA11400 | GASOLINE ENGINE | 1 | 200001-030000 | (Marked 44M777-0148-B1) (SUB MIA11750) | |
| .. | MIA11401 | GASOLINE ENGINE | 1 | 200001-030000 | (California) (Marked 44M777-0147-G1) (SUB MIA11750) | |
| .. | MIA11641 | GASOLINE ENGINE | 1 | 300001-_____ | (49 State, Canada And Australia) (Marked 44M777- 0163-B1) | |
| .. | MIA11642 | GASOLINE ENGINE | 1 | 300001-_____ | (California); Marked 44M777-0159-G1; NLA; ORDER MIA12445; SUB MIA11900 | |
| .. | MIA12445 | GASOLINE ENGINE | 1 | | | |



PU00876

| KEY | PART NO. | PART NAME | QTY | Serial No. | REMARKS |
|-----|-----------|-----------------|-----|-------------|---|
| 1 | MIA11459 | CONNECTING ROD | 2 | | (SUB FOR AM135101) |
| 2 | LG690976 | SCREW | 2 | | |
| 3 | AM135083 | CRANKSHAFT | 1 | | (SUB MIA11457) |
| 3 | MIA11457 | CRANKSHAFT | 1 | | (INCLUDES LG690980) |
| 4 | 26H4 | SHAFT KEY | 1 | | 1/8" X 3/8" |
| 5 | LG690980 | GEAR | 1 | | TIMING |
| 6 | LG222698S | SHAFT KEY | 1 | | FLYWHEEL |
| 7 | MIA10916 | CAMSHAFT | 1 | | (INCLUDES (4) LG690977) |
| 7 | MIA11789 | CAMSHAFT | 1 | 300001-____ | (INCLUDES (4) LG690977) |
| 8 | MIA11172 | OIL PUMP | 1 | ____-200000 | |
| 8 | MIU12143 | OIL PUMP | 1 | 200001-____ | |
| 9 | LG690977 | TAPPET | 4 | | |
| 10 | LG499613 | COVER | 1 | ____-200000 | |
| 10 | MIA11464 | COVER | 1 | 200001-____ | |
| 11 | LG690589 | SEAL | 1 | ____-200000 | |
| 11 | MIU12153 | SEAL | 1 | 200001-____ | |
| 12 | M151228 | SCREW | 3 | | |
| 12 | MIU12142 | SCREW | 3 | | (Engine Marked 44M777-0147-G1) |
| 13 | LG690975 | LOCK | 2 | | |
| 14 | LG690229 | PISTON PIN | 2 | | |
| 14 | MIA11458 | PISTON PIN | 2 | | (Engine Marked 44M777-0147-G1, 0163-B1, 0159-G1) |
| 15 | MIU11453 | PISTON RING KIT | 1 | | STD; NLA; ORDER MIU11282 |
| 15 | MIU11283 | PISTON RING KIT | 1 | | .020" , OS |
| 15 | MIU11282 | PISTON RING KIT | 1 | | (Engine Marked 44M777-0147-G1) |
| 16 | MIA10877 | PISTON | 2 | | STD |
| 16 | MIA10878 | PISTON | 2 | | .020" , OS |
| 16 | MIA10996 | PISTON | 2 | | (Engine Marked 44M777-0147-G1, 0163-B1, 0159-G1) STD |
| 16 | MIA11788 | PISTON | 2 | 300001-____ | (.20"), OS |



MP40125

Thank you so much for reading.
Please click the “Buy Now!”
button below to download the
complete manual.



After you pay.

You can download the most
perfect and complete manual in
the world immediately.

Our support email:

ebooklibonline@outlook.com