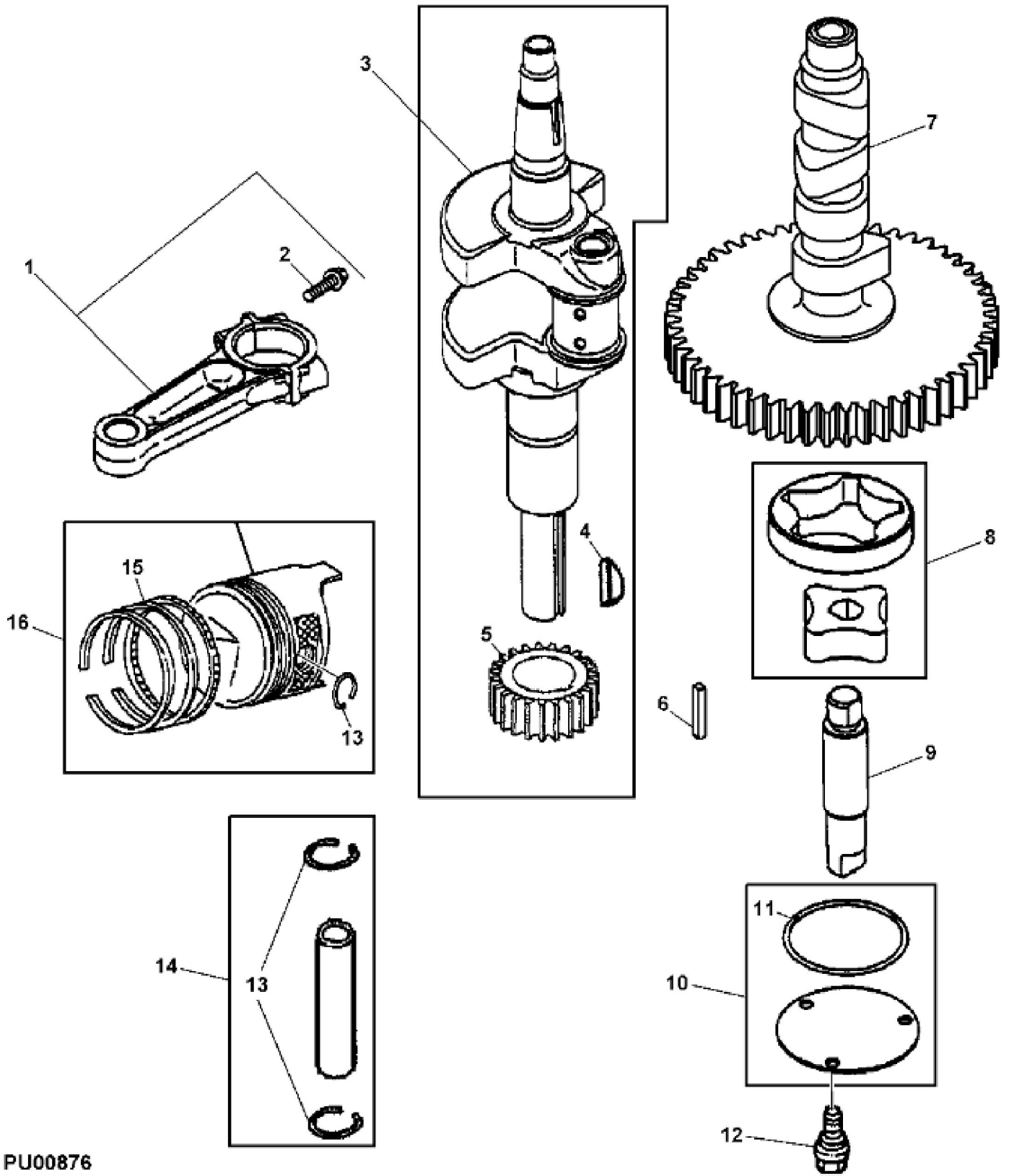


PU01598

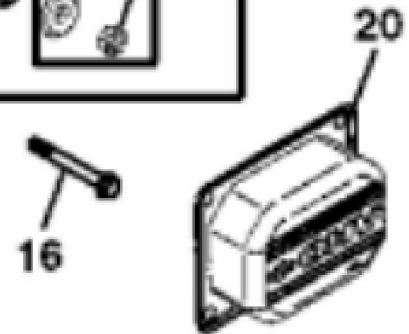
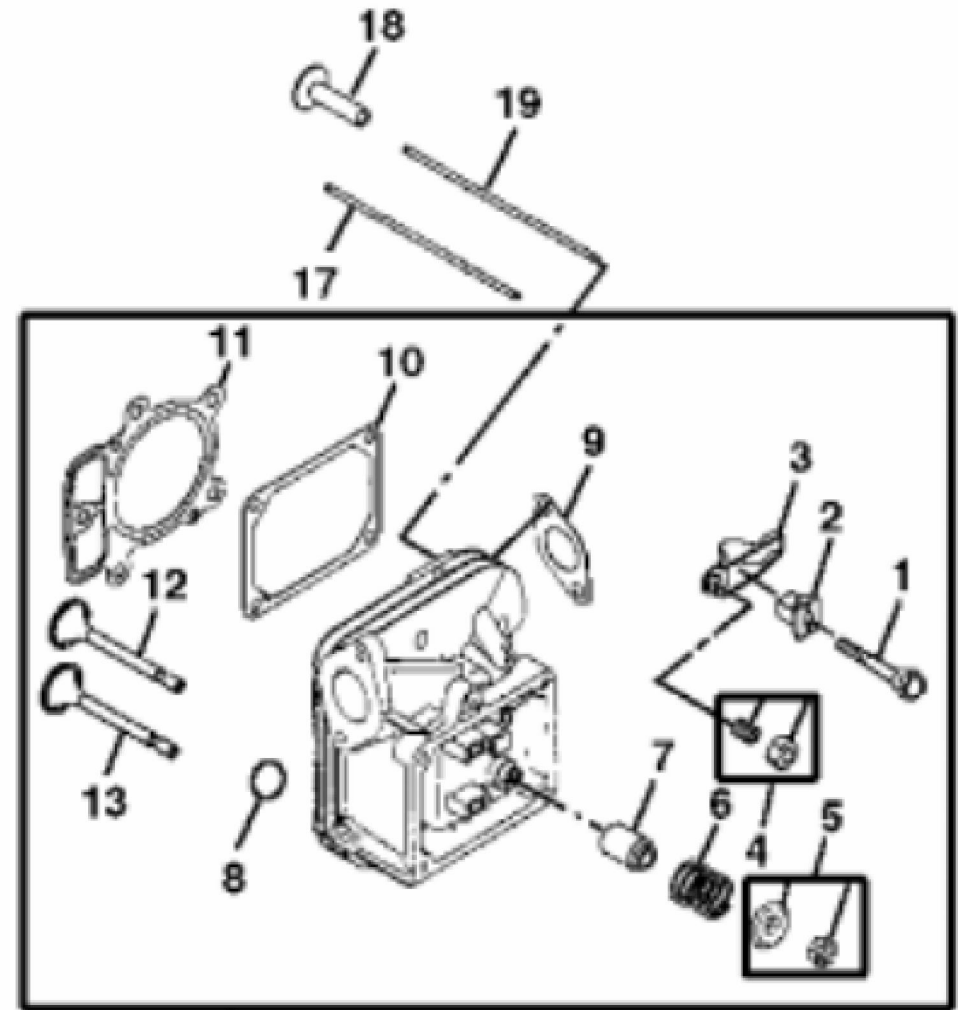
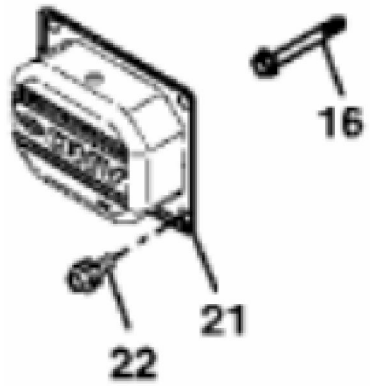
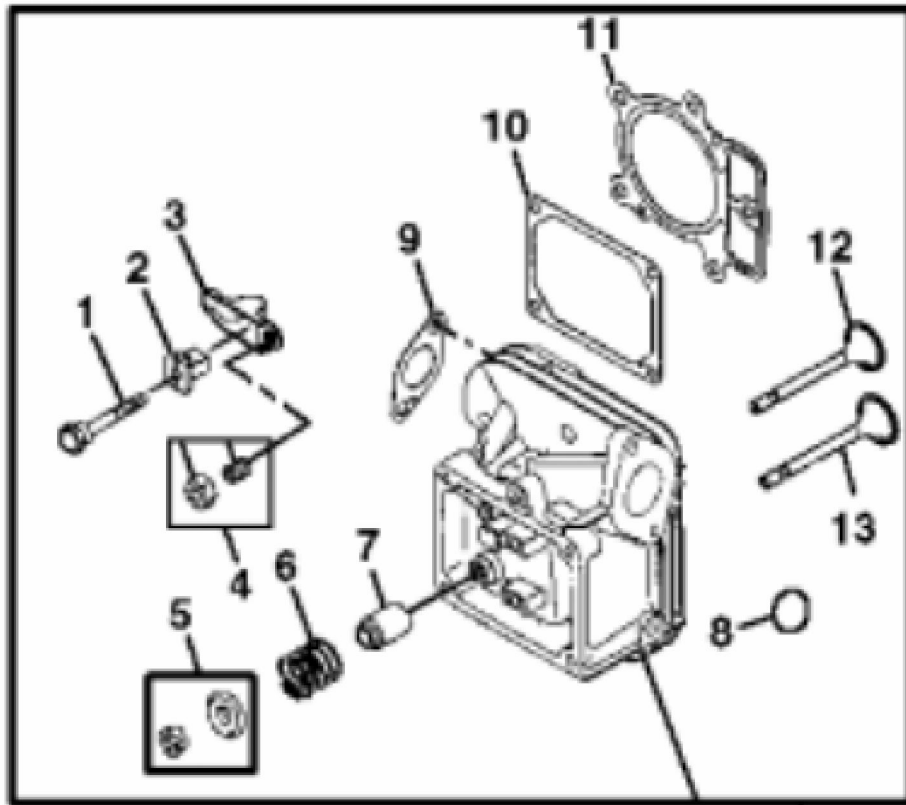
KEY	PART NO.	PART NAME	QTY	REMARKS
1	UC11104	DIPSTICK	1	SUB FOR LG499602
2	LG691031	O-RING	1	
3	LG691036	DIPSTICK	1	
4	LG691032	SEAL	1	
5	LG691037	OIL TUBE	1	
6	LG691108	SCREW	1	8 X 1/2
7	LG391086S	SEAL	1	
8	MIA11778	SEAL KIT	1	(Sub For LG499585)
9	LG690959	DOWEL PIN	6	
10	MIA11033	CYLINDER	1	NLA; ORDER MIA12510
10	MIA13076	CYLINDER	1	SUB FOR MIA12510
11	MIU13979	GASKET	1	SUB FOR M150226; (A)
12	LG690770	SCREEN	1	(A)
12	MIU12140	SCREEN	1	(Use With MIA11402, MIA11403 And MIA11584)
13	LG690946	DRAIN PLUG	1	NLA; ORDER 15H623 (Use With MIA11402, MIA11403 And MIA11584)
13	15H623	PIPE PLUG	1	3/8"
13	LG691680	DRAIN PLUG	1	(A)
14	LG690954	THREADED NIPPLE	1	(A)
15	15H638	PIPE PLUG	1	1/8", (A)
16	MIU11958	SEAL	1	(A) (Sub For MIU11212)
17	MIU11284	SEAL	1	(A) Governor Crank
18	M142281	BUSHING	1	(A) Governor Crank
18	MIU12503	BUSHING	1	(Use With MIA11643 And MIA11644)
19	AM134054	RESERVOIR	1	(Sub MIA11584) (Includes Parts Marked (A))
19	MIA11584	RESERVOIR	1	(Sub For MIA11460) (Also Includes MIU12143, MIA11464 And (3) MIU12142)
20	AM125424	OIL FILTER	1	
21	LG690957	RETAINER	1	
22	MIU11502	BREATHER	1	(Sub For LG690956)
23	LG691108	SCREW	3	
23	37H74	SCREW	3	(Use With MIA11402, MIA11403, MIA11643 And MIA11644)
24	MIU14443	TUBE	1	SUB FOR MIU11280
25	LG690937	GASKET	1	

KEY	PART NO.	PART NAME	QTY	REMARKS
26	MIA10872	BREATHER	1	
27	M142896	SCREW	10	
28	LG691045	CRANK	1	Governor
29	M142282	BUSHING	2	
30	M142286	RETAINER	1	
31	M142280	WASHER	1	
32	GC00331	SCREW	4	NLA; ORDER GX24210; Engine Mounting
32	GX24210	SCREW	4	
33	AM131611	DRAIN PLUG	1	Oil Drain
34	TUBE	1	
35	T77932	O-RING	1	
36	M144897	CAP	1	
37	PM37469	LIQUID GASKET	1	
38	MIA11023	GASOLINE ENGINE	1	(Not Illustrated) MARKED 44P777-0122-B1; ORDER MIA12930
38	MIA11024	GASOLINE ENGINE	1	(Not Illustrated) MARKED 44P777-0123-G1; ORDER MIA12930; (For California)
38	MIA11402	GASOLINE ENGINE	1	(Not Illustrated) MARKED 44M777-0150-B1; ORDER MIA12930
38	MIA11403	GASOLINE ENGINE	1	(Not Illustrated) MARKED 44M777-0149-G1; ORDER MIA12930; (For California)
38	MIA11901	GASOLINE ENGINE	1	(Not Illustrated) ORDER MIA12930
38	MIA11643	GASOLINE ENGINE	1	(Not Illustrated) MARKED 44P777-0164-B1; ORDER MIA12930
38	MIA11644	GASOLINE ENGINE	1	(Not Illustrated) MARKED 44P777-0158-G1; ORDER MIA12930; (For California)
38	MIA12447	GASOLINE ENGINE	1	(Not Illustrated) ORDER MIA12930
38	MIA12930	GASOLINE ENGINE	1	(Not Illustrated)



PU00876

KEY	PART NO.	PART NAME	QTY	Serial No.	REMARKS
1	MIA11459	CONNECTING ROD	2		(SUB FOR AM135101)
2	LG690976	SCREW	2		
3	AM135083	CRANKSHAFT	1		(SUB MIA11457)
3	MIA11457	CRANKSHAFT	1		(INCLUDES LG690980)
4	26H4	SHAFT KEY	1		1/8" X 3/8"
5	LG690980	GEAR	1		TIMING
6	LG222698S	SHAFT KEY	1		FLYWHEEL
7	MIA11038	CAMSHAFT	1		(INCLUDES (4) LG690977)
7	MIA10916	CAMSHAFT	1		(USE WITH MIA11402 AND MIA11403) (INCLUDES (4) LG690977)
7	MIA11792	CAMSHAFT	1		(INCLUDES (4) LG690977) (USE WITH MIA11643 AND MIA11644)
8	MIA11172	OIL PUMP	1		(INCLUDES PARTS MARKED (A))
8	MIU12143	OIL PUMP	1		(INCLUDES PARTS MARKED (A)) (USE WITH MIA11402, MIA11403 AND MIA11584)
9	SHAFT	1		(A)
10	LG499613	COVER	1		
10	MIA11464	COVER	1		(USE WITH MIA11402, MIA11403 AND MIA11584)
11	LG690589	SEAL	1	____-200000	
11	MIU12153	SEAL	1	200001-____	(USE WITH MIA11402, MIA11403 AND MIA11584)
12	M151228	SCREW	3		
12	MIU12142	SCREW	3		(USE WITH MIA11402, MIA11403 AND MIA11584)
13	LG690975	LOCK	2		
14	LG690229	PISTON PIN	2		
14	MIA11458	PISTON PIN	2		(USE WITH MIA11402, MIA11403, MIA11643 AND MIA11644)
15	MIU11282	PISTON RING KIT	1		SUB FOR MIU11453; STD
15	MIU11283	PISTON RING KIT	1		.020" (.50 MM) , OS
16	MIA11036	PISTON	2		STD
16	MIA11037	PISTON	2		.020" (.50 MM) , OS



MP38610

Thank you so much for reading.
Please click the “Buy Now!”
button below to download the
complete manual.



After you pay.

You can download the most
perfect and complete manual in
the world immediately.

Our support email:

ebooklibonline@outlook.com