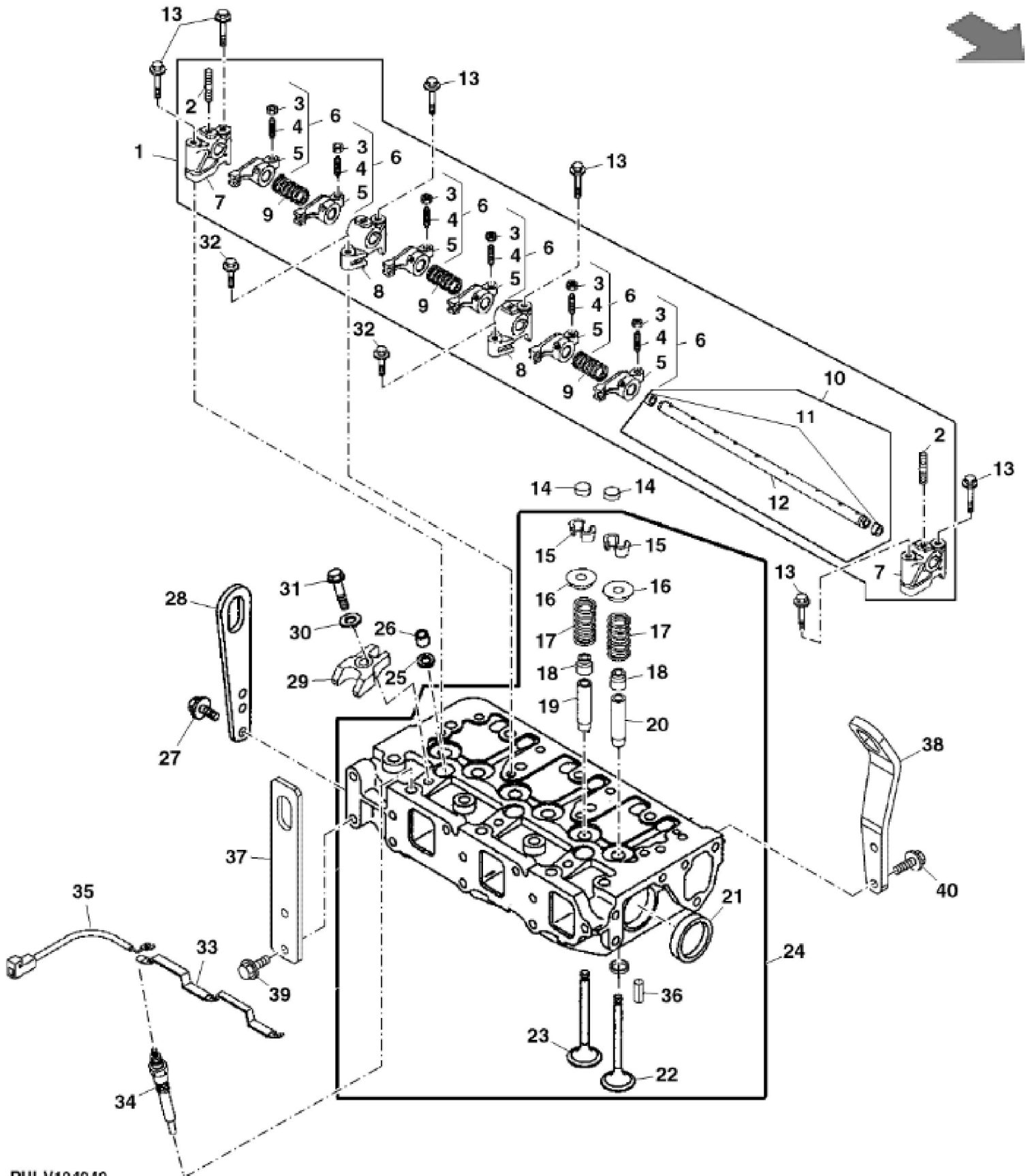


KEY	PART NO.	PART NAME	QTY	Serial No.	REMARKS
1	M801186	BOLT	14		
2	M806811	ENGINE CYLINDER HEAD GASKET	1	____-610000	
2	MIA882831	GASKET KIT	1	610001-____	
3	MIA880878	CYLINDER BLOCK	1	____-610000	
3	MIA882931	CYLINDER BLOCK	1	610001-____	
4	30M7023	PLUG	6		
5	15H562	PIPE PLUG	1		1"
6	MIU800573	BUSHING	1		Camshaft
7	MIU800797	SHAFT	1		Idle Gear
8	19M8317	BOLT	3		
9	M87801	PLUG	1		
10	M800974	PIPE	2		Knock
11	AM875371	BEARING KIT	4		Main (STD)
11	MIA880550	BEARING	4		Under Sized 0.25 MM Main, US
11	MIA880554	BEARING	4	610001-____	Main
12	BEARING CAP	3		Main Bearing
13	M801189	BOLT	8		
14	BEARING CAP	1		Main Bearing
15	MIA880555	BEARING	2	____-610000	Thrust
15	MIA882809	BEARING KIT	1	610001-____	Thrust
16	CH10335	PLUG	3		
17	CH10314	PLUG	1		
18	M802255	PIN	4		
19	M809565	PLUG	1	610001-____	
20	CH18079	SPRING PIN	2		
21	MIA10773	DIESEL ENGINE	1		ORDER MIA12467; Not Illustrated
22	MIA12467	DIESEL ENGINE	1		MARKED 3TNV88-BNJT, Not Illustrated
23	MIA880881	SHORT BLOCK ASSEMBLY	1		Not Illustrated
24	MIA13099	DIESEL ENGINE	1	610001-____	MARKED 3TNV88C-NJT; TIERIVMIA11967; Not Illustrated
25	MIA882690	SHORT BLOCK ASSEMBLY	1	610001-____	SUB FOR MIA12663; MARKED 3TNV88-BNJTA; Not Illustrated

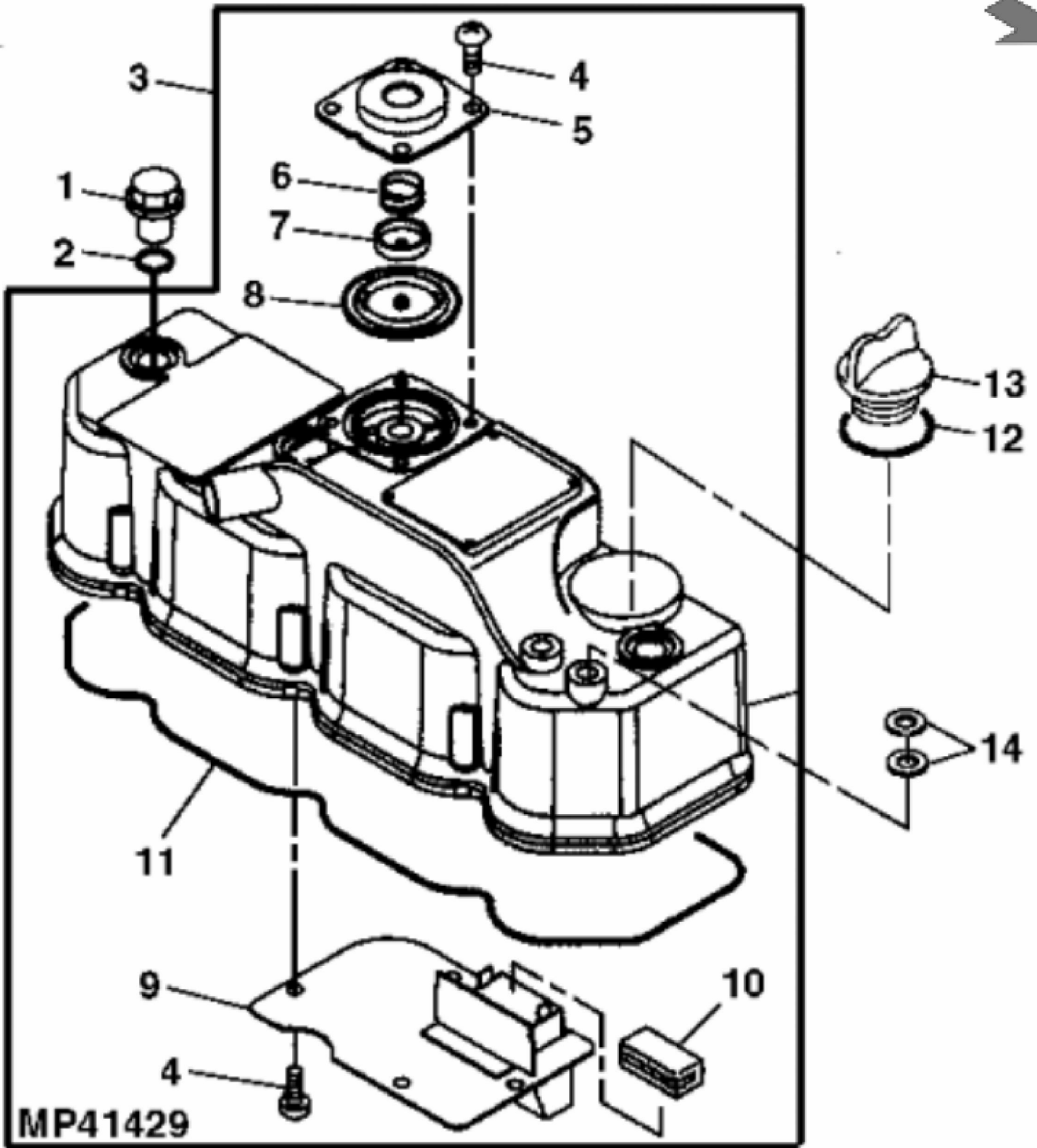


PULV104049

ARMS

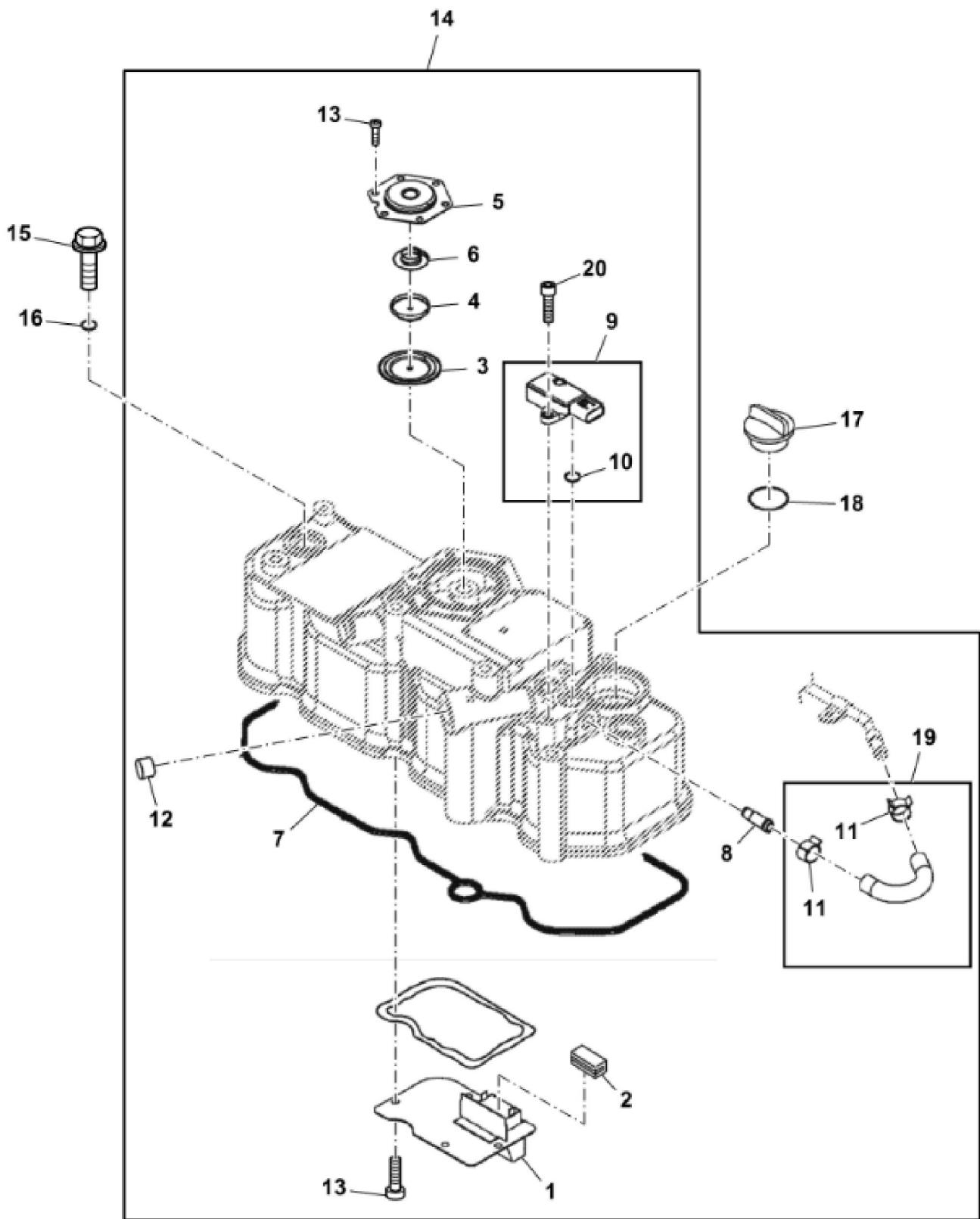
KEY	PART NO.	PART NAME	QTY	Engine Serial No.	REMARKS	
1	AM882086	ROCKER ARM SHAFT	1			
2	STUD	2			
3	M801028	NUT	6			
4	M801027	SCREW	6			
5	ROCKER ARM	1			
6	AM881820	ARM	6			
7	M811050	SUPPORT	2		Rocker Arm	
8	M811051	SUPPORT	2		Rocker Arm	
9	M801025	SPRING	3			
10	M811426	ROCKER ARM SHAFT	1			
11	M800002	PLUG	2			
12	SHAFT	1			
13	CH19086	BOLT	6			
14	M801224	CAP	6			
15	AM878862	RETAINER KIT	6		(2 Per Pkg), Valve	
16	M801223	RETAINER	6		Spring	
17	M801222	SPRING	6		Valve	
18	CH10450	SEAL	3		Intake Valve	
18	T110650	SEAL	3	____-610000	Exhaust Valve	
18	MIU802105	SEAL	3	610001-____		
19	M801228	GUIDE	3		Exhaust	
20	M801227	GUIDE	3		Intake	
21	CH16751	PLUG	2			
22	M811557	INTAKE VALVE	3			
23	MIU800494	EXHAUST VALVE	3			
24	MIA880898	CYLINDER HEAD	1	____-610000		
24	MIA882834	CYLINDER HEAD	1	610001-____		
25	M801017	VALVE SEAT	3	____-610000		
25	MIU802096	GASKET	3	610001-____		
26	M811052	SHIELD	3			
27	19M7865	SCREW	4		M8 X 16	
28	AT211695	LIFT ARM	2			
29	MIU802106	RETAINER	3			

KEY	PART NO.	PART NAME	QTY	Engine Serial No.	REMARKS
30	M811080	WASHER	3		
31	CH19090	BOLT	3		SUB FOR 19M7897
32	CH19085	BOLT	2		
33	MIU800882	ELECTRICAL CONNECTOR ASSY	1	____-610000	
33	MIU803100	GLOW PLUG	1	610001-____	
34	MIU800816	GLOW PLUG	3		
35	MIU800798	WIRING HARNESS	1		Glow Plug
36	CH18079	SPRING PIN	2	610001-____	
37	MIU803081	LIFTER KIT	1	610001-____	Engine
38	MIU803106	LIFTER KIT	1	610001-____	Engine
39	19M7865	SCREW	2	610001-____	M8 X 16
40	19M7866	SCREW	2	610001-____	M8 X 20



John Deere > Turf And Utility >TRACTOR, COMPACT UTILITY >3TNV88 - TRACTOR, COMPACT UTILITY >3032E Compact Utility Tractor >20 ENGINE >ST150830 - CYLINDER HEAD COVER AND GASKETS (- 610000)

KEY	PART NO.	PART NAME	QTY	REMARKS	
1	CH10348	NUT	3		
2	CH10568	PACKING	3		
3	AM882087	COVER	1		
4	M807374	SCREW	8		
5	M811649	COVER	1	Breather	
6	M811650	SPRING	1		
7	M811046	PLATE	1		
8	M811048	DIAPHRAGM	1		
9	M811085	PLATE	1		
10	M801032	DEFLECTOR	1		
11	M811429	GASKET	1		
12	M805711	PACKING	1		
13	M805710	CAP	1		
14	24M7362	WASHER	2	8.400 X 16 X 1.600 mm	
..	M64850	SEALANT	AR		



LV291443

Thank you so much for reading.
Please click the “Buy Now!”
button below to download the
complete manual.



After you pay.

You can download the most
perfect and complete manual in
the world immediately.

Our support email:

ebooklibonline@outlook.com