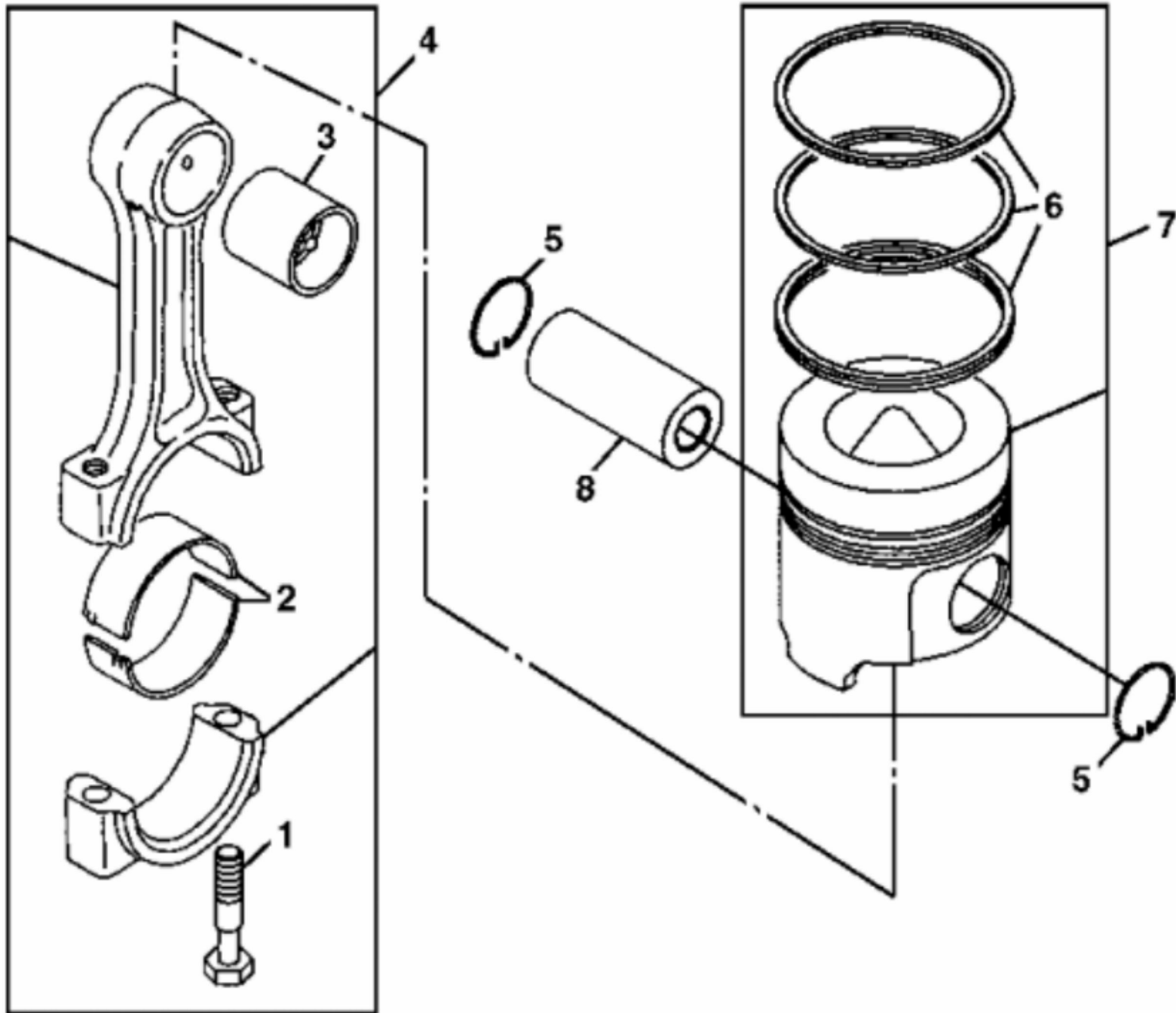


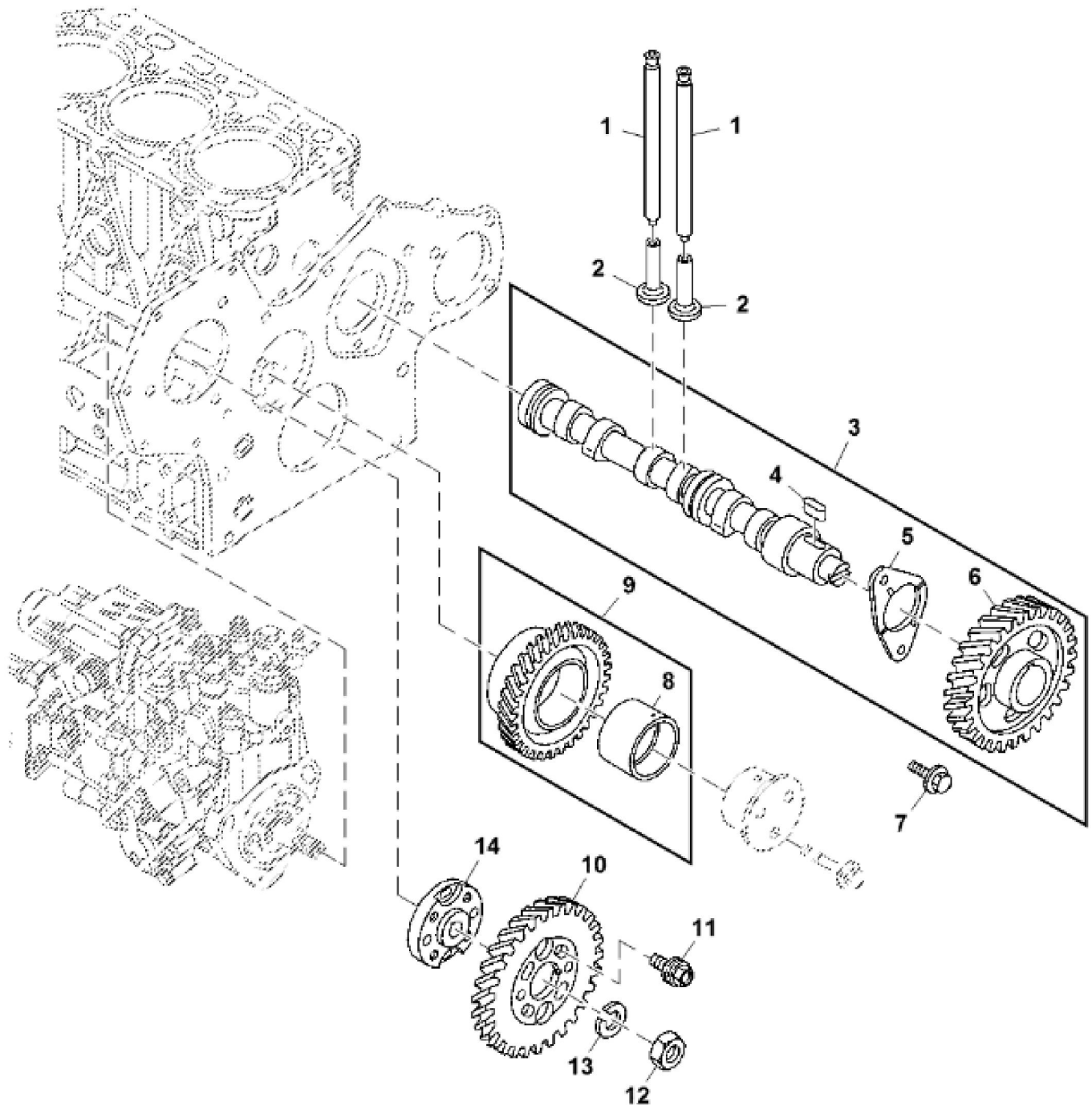
(610001 -)

KEY	PART NO.	PART NAME	QTY	REMARKS
1	M811085	PLATE	1	Baffle
2	M801032	DEFLECTOR	1	Baffle, Breather
3	MIU801017	BREATHER	1	Diaphragm
4	MIU801018	PLATE	1	Center
5	MIU801019	PLATE	1	Breather
6	MIU801020	DISK SPRING	1	Diaphragm
7	MIU803087	GASKET	1	Bonnet
8	MIU802104	UNIVERSAL JOINT	1	
9	MIU803774	SENSOR	1	Pressure
10	MIU802110	O-RING	2	Pressure Sensor
11	MIU802119	CLIP	2	Hose 14
12	T111544	PLUG	1	
13	M807374	SCREW	10	5.0 X 10
14	MIA882901	AIR INTAKE	1	Bonnet Assembly
15	CH10348	NUT	3	
16	CH10568	PACKING	3	
17	M805710	CAP	1	Oil Fill
18	M805711	PACKING	1	P32
19	MIU800897	SPRING	1	Plate
20	MIA881993	HOSE	1	
21	19M8553	SCREW	2	M6 X 16



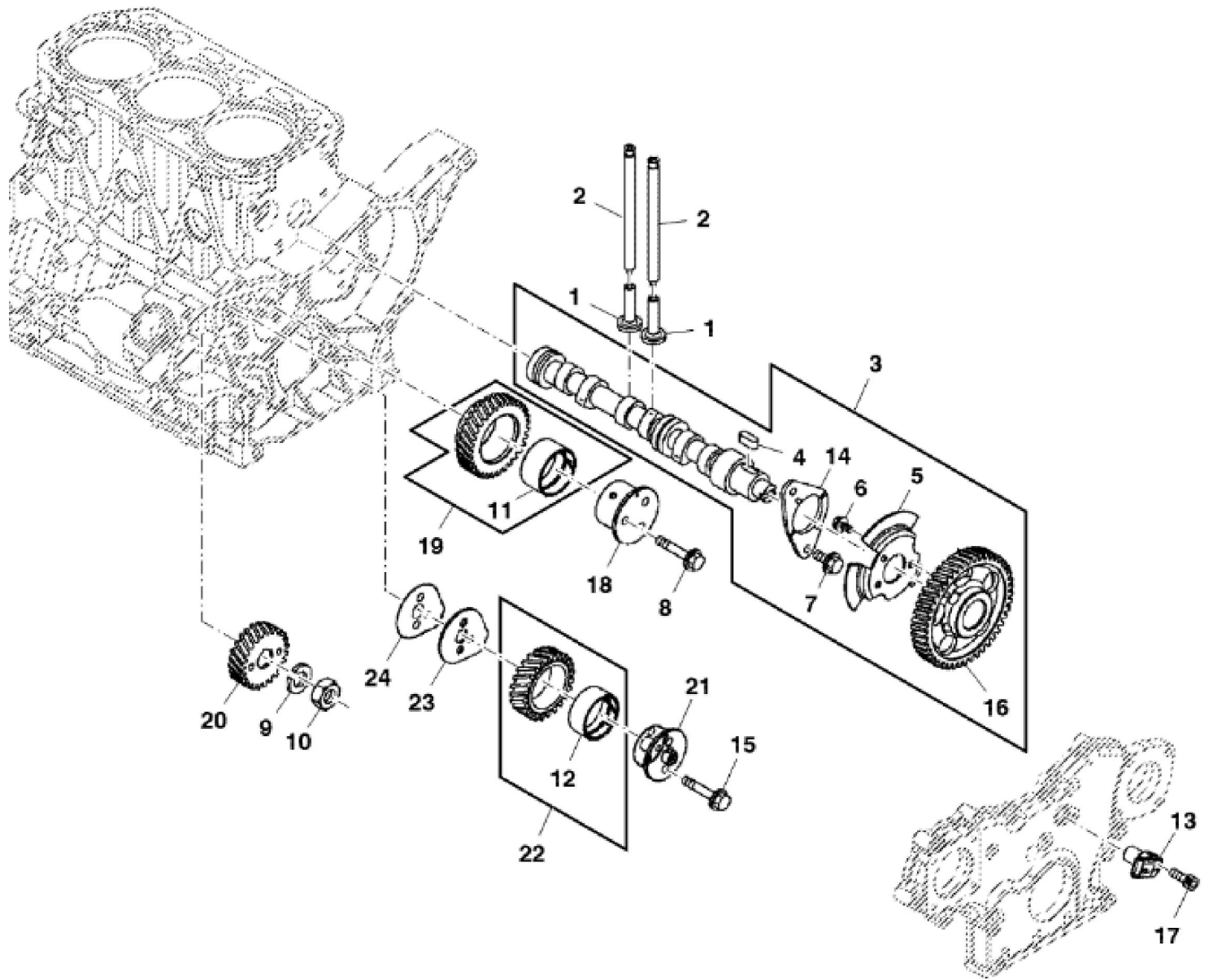
MP18666

KEY	PART NO.	PART NAME	QTY	Serial No.	REMARKS
1	CH15483	BOLT	2		
2	MIA880563	BEARING	1		STD
2	MIA880568	BEARING	1		Under Sized 0.25 MM
3	M801256	BEARING	1		
4	AM875391	CONNECTING ROD	3		
5	M806457	SNAP RING	6		
6	AM882593	PISTON RING KIT	1		STD
6	AM881940	PISTON RING KIT	1		Over Sized 0.25 MM
6	AM882595	PISTON RING KIT	3	610001-_____	Over Sized 0.25 MM
6	MIA882010	PISTON RING KIT	1	610001-_____	
7	AM882592	PISTON	3		STD
7	AM881939	PISTON	3		Over Sized 0.25 MM
7	AM882594	PISTON	3	610001-_____	Over Sized 0.25 MM
7	MIA882009	PISTON KIT	1	610001-_____	
8	M806456	PISTON PIN	3		



LV294391

KEY	PART NO.	PART NAME	QTY	Engine Serial No.	REMARKS
1	M801238	PUSH ROD	6		
2	M801046	CAM FOLLOWER	6		
3	AM876430	CAMSHAFT	1		
4	M801045	SHAFT KEY	1		
5	M801237	THRUST BEARING	1		
6	GEAR	1		
7	19M7865	BOLT	2	____-610000	
8	MIU800595	BUSHING	1		
9	MIA880571	IDLER GEAR	1		
10	M811057	GEAR	1		PUMP
11	BOLT	4		(NSEP)
12	CH17448	NUT	1		
13	12M7068	LOCK WASHER	1		14 mm
14	FLANGE	1		(NSEP)



LV294390

Thank you so much for reading.
Please click the “Buy Now!”
button below to download the
complete manual.



After you pay.

You can download the most
perfect and complete manual in
the world immediately.

Our support email:

ebooklibonline@outlook.com