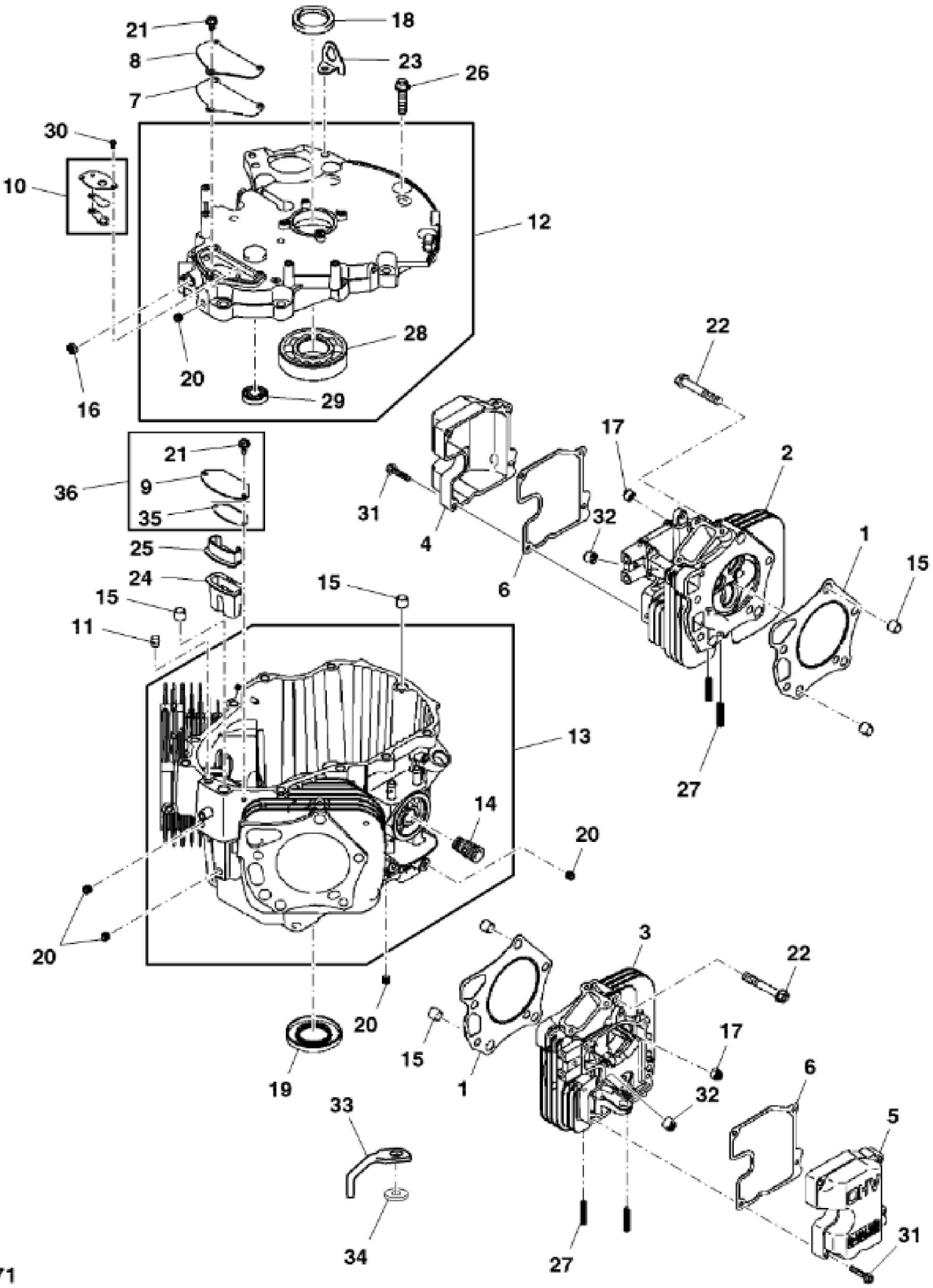


PU01319

KEY	PART NO.	PART NAME	QTY	REMARKS	
1	MIA11426	GASOLINE ENGINE	1	34HP, KAWASAKI (FX921V-AS05) (SUB MIA11918)	
1	MIA11918	GASOLINE ENGINE	1	(MARKED FX921V-BS05) (Sub MIA12056)	
1	MIA12056	GASOLINE ENGINE	1	NLA; ORDER MIA12165; MARKED FX921V-CS05	
1	MIA12165	GASOLINE ENGINE	1	NLA; ORDER MIA12257; MARKED FX921V-DS05R	
1	MIA12257	GASOLINE ENGINE	1	MARKED FX921V-AS10R	
2	19H3693	SCREW	4	3/8" X 1-1/4"	
3	TCU26722	HEAT SHIELD	1		

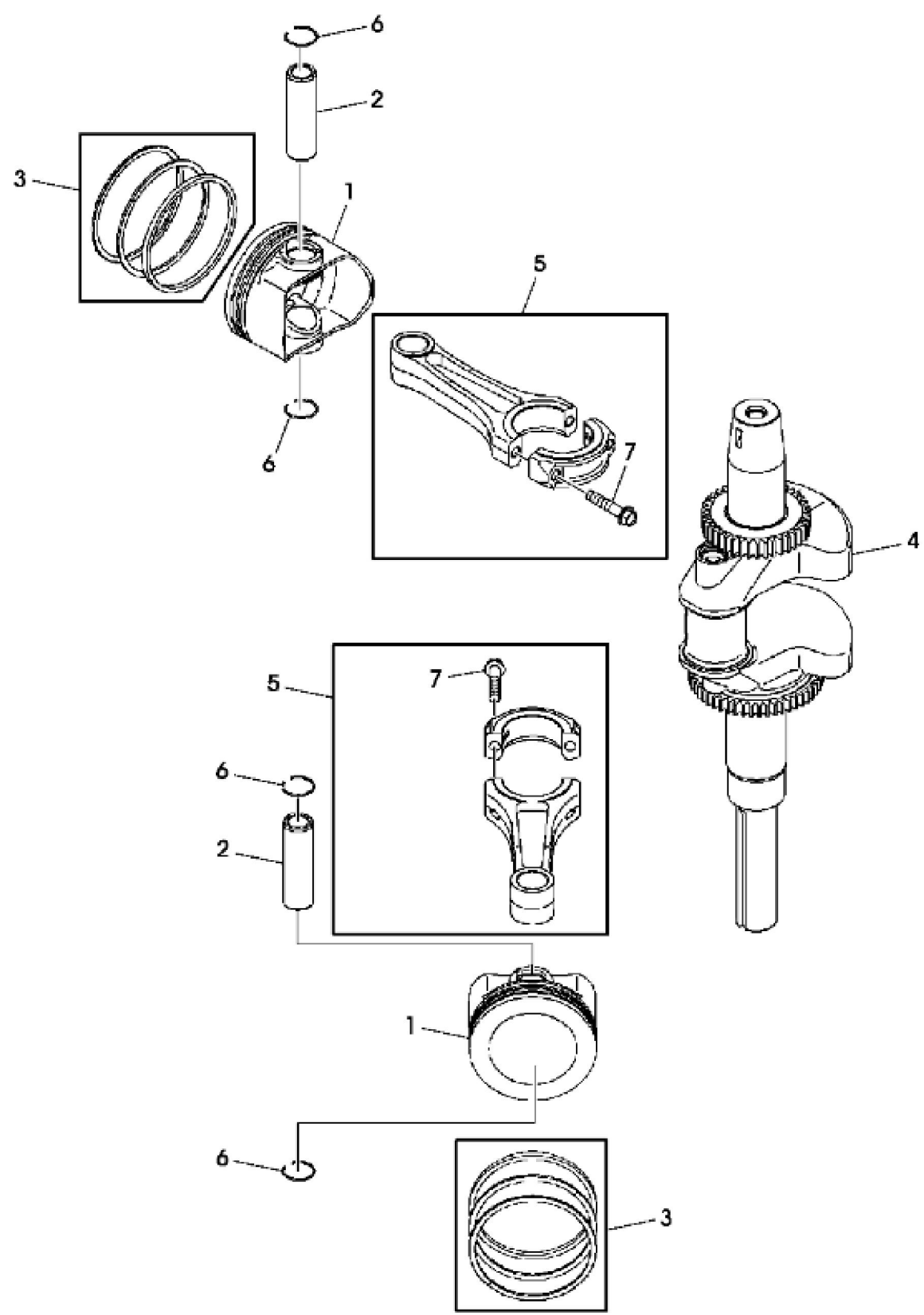


PU06871

John Deere > Turf And Utility >TRACTOR, LAWN AND GARDEN >Z860A - TRACTOR, LAWN AND GARDEN >Z860A Professional ZTrak >20 ENGINE TCM12342 >ST501886 - CYLINDER HEADS AND CRANKCASE

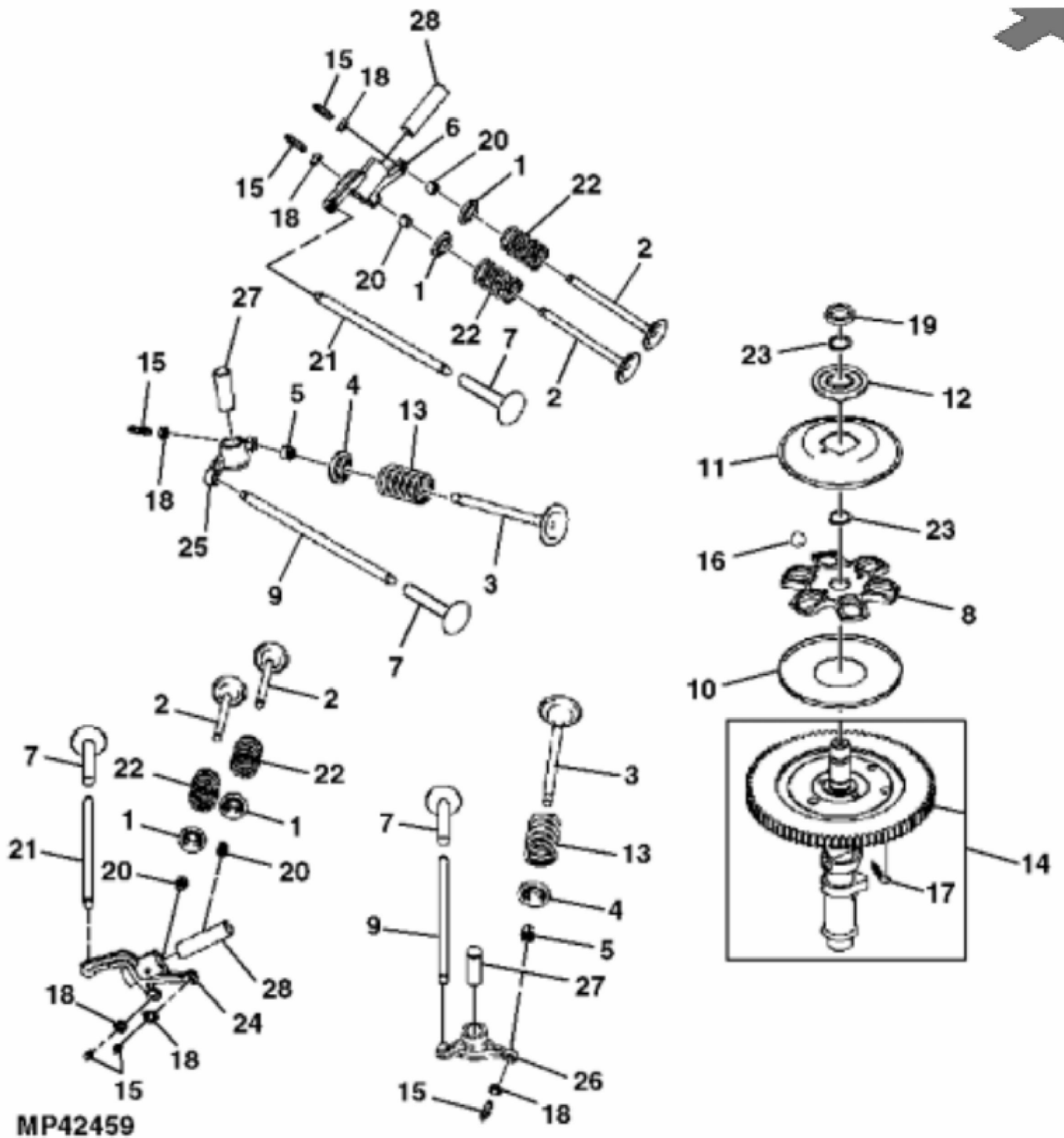
KEY	PART NO.	PART NAME	QTY	REMARKS
1	MIU12194	GASKET	2	
2	MIU12195	CYLINDER HEAD	1	NLA; ORDER MIU13774; NO. 1
2	MIU13774	CYLINDER HEAD	1	
3	MIU12196	CYLINDER HEAD	1	NLA; ORDER MIU13775; NO. 2
3	MIU13775	CYLINDER HEAD	1	
4	MIU12197	CASE	1	NLA; ORDER MIU13312; ROCKER NO. 1
4	MIU13312	CASE	1	
5	MIU12198	CASE	1	NLA; ORDER MIU13313; CRANKCASE COVER
5	MIU13313	CASE	1	
6	MIU12199	GASKET	2	ROCKER CASE
7	MIU12200	GASKET	1	BREATHER
8	MIU12202	PLATE	1	BREATHER
9	MIU12203	COVER	1	NLA; ORDER MIU13926; BREATHER
9	MIU13926	COVER	1	MARKED FX921V-AS10R; Breather
10	MIU12201	BREATHER	1	
11	MIU14507	PIPE	3	SUB FORMIU11770
12	MIA11505	COVER	1	CRANKCASE
13	MIA11506	CRANKCASE	1	NLA; ORDER MIA12733
13	MIA12733	CRANKCASE	1	
14	M127431	ADAPTER FITTING	1	
15	M74163	PIN	6	
16	M138392	SEAL	1	NLA; ORDER M151774
16	M151774	SEAL	1	
17	M138389	SEAL	4	
18	MIU11773	SEAL	1	
19	MIU12207	SEAL	1	
20	M147270	PLUG	5	NLA; ORDER MIU14001
20	MIU14001	PLUG	5	
21	MIU11325	BOLT	5	M6 X 12
22	MIU12209	BOLT	10	
23	MIU12477	HOOK	1	(SUB FOR MIU12204)
24	MIU12205	PIPE	1	
25	MIU12206	PIPE	1	
26	19M7804	SCREW	11	M10 X 40

KEY	PART NO.	PART NAME	QTY	REMARKS	
27	M138395	STUD	4	NLA; ORDER MIU11736	
27	MIU11736	BOLT	4	NLA; ORDER MIU12726	
27	MIU12726	STUD	4		
28	MIU11779	BALL BEARING	1	ORDER MIU13981	
28	MIU13981	BALL BEARING	1		
29	MIU12193	BALL BEARING	1		
30	21M7244	SCREW	2	M4 X 8	
31	19M7796	SCREW	8	M6 X 30	
32	M152964	SEAL	2		
33	TCU26943	GUIDE	1	NLA; ORDER TCU33513; Belt	
33	TCU33513	GUIDE	1		
34	24M7178	WASHER	1	10.500 X 30 X 2.500 mm	
35	MIU13860	GASKET	1	MARKED FX921V-AS10R; Breather Cover	
36	MIA12511	COVER KIT	1	MARKED FX921V-AS10R	
37	19M7775	SCREW	2	M6 X 16, USE WITH MIU13926; NOT ILLUSTRATED	



PU01330

KEY	PART NO.	PART NAME	QTY	REMARKS	
1	MIU12210	PISTON	2	ORDER (2) MIU13013, (2) MIU13014	
1	MIU13013	PISTON	2		
1	MIU13912	PISTON	2	0.5 MM (.020") OS, SUB FOR MIU12214	
2	MIU12211	PISTON PIN	2		
3	MIU12212	PISTON RING	2	ORDER (2) MIU13013, (2) MIU13014	
3	MIU13014	PISTON RING	2		
3	MIU13910	PISTON RING	2	0.5 MM (.020") OS, SUB FOR MIU12213	
4	MIU12215	CRANKSHAFT	1		
5	MIA12686	CONNECTING ROD	2	SUB FOR MIA11507	
6	M88590	SNAP RING	4	NLA; ORDER MIU13982	
6	MIU13982	SNAP RING	4		
7	M147310	BOLT	4		



MP42459

Thank you so much for reading.
Please click the “Buy Now!”
button below to download the
complete manual.



After you pay.

You can download the most
perfect and complete manual in
the world immediately.

Our support email:

ebooklibonline@outlook.com