

Section: Cutting table and feeding elevator

PICK-UP REEL GUARDS -->I 555421

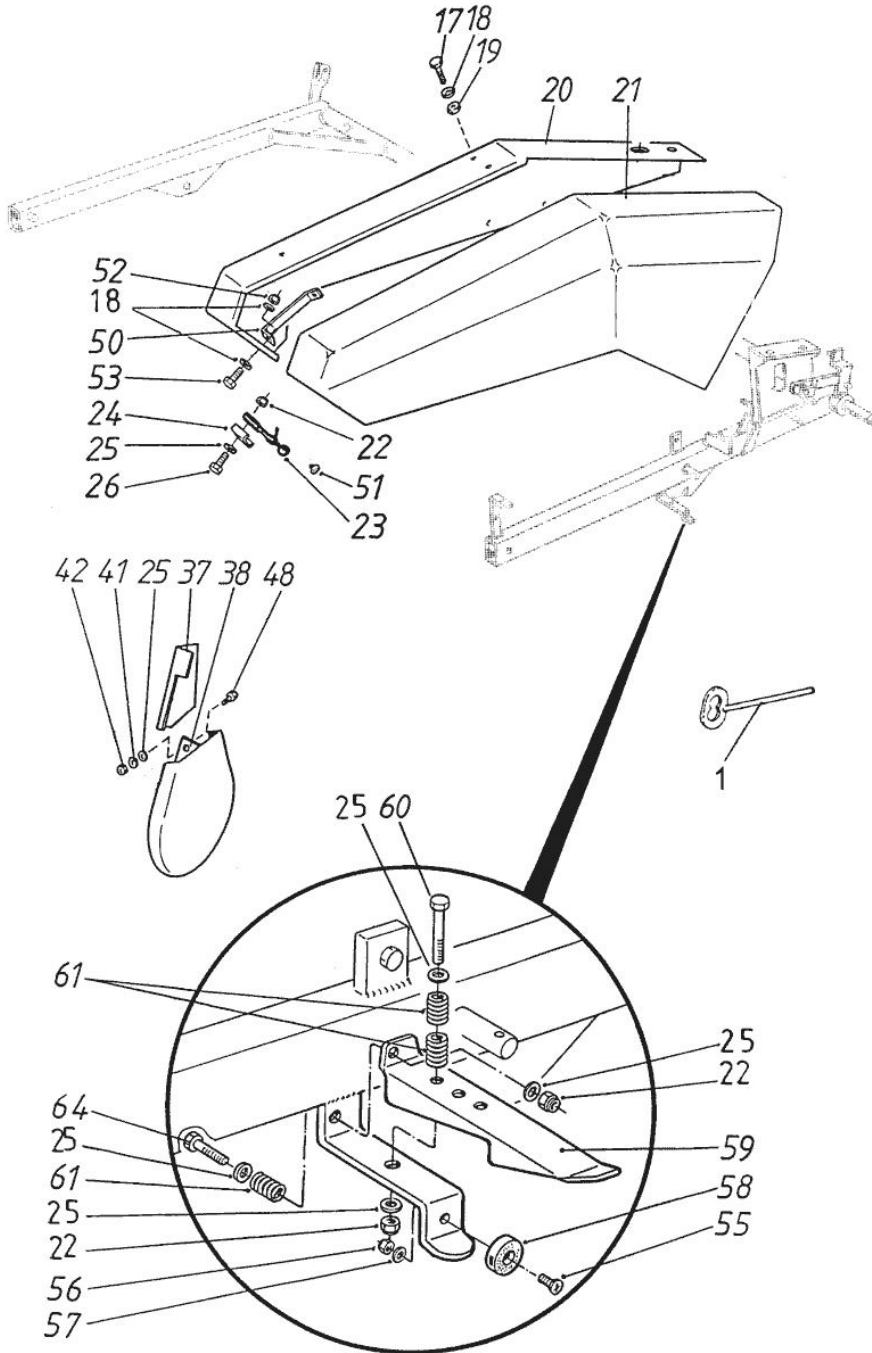


Fig.	P/n	QTY	Name
------	-----	-----	------

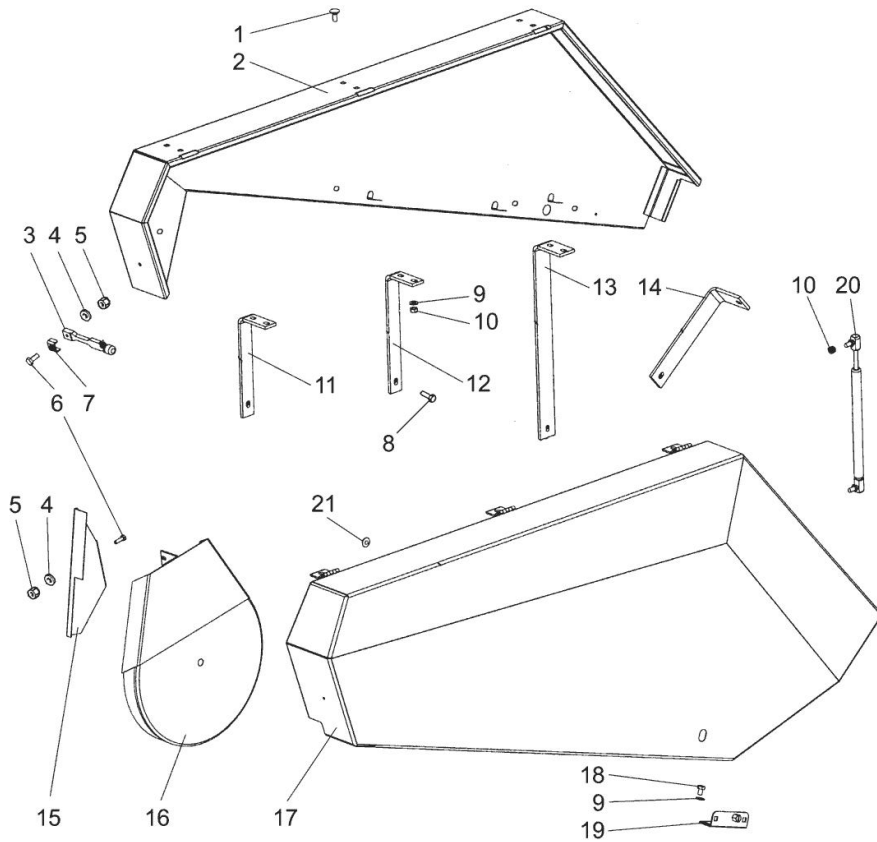
Notes:
[5445H]

1	R692820	1	key
17	6221467	6	screw
18	7400032	8	washer
19	6506234	6	nut
20	R681297	1	guard
21	R681296	1	guard
22	6593838	5	nut
23	0871050	3	spring
24	R672907	3	cup
25	7400030	9	washer
26	6211467	5	screw
37	R634718	1	guard
38	R599867	1	guard
41	7414465	4	washer
42	6506034	4	nut
48	6211667	2	screw
50	R692247	1	support
51	0633657	4	spring
52	6594038	1	nut
53	6220486	1	screw
55	6066614	3	screw
56	6593738	3	nut
57	7400029	1	washer
58	0633658	3	rubber mount
59	R693125	1	bolt
60	6212477	1	screw
61	0415254	3	spring
64	6212077	1	screw

PICK-UP REEL GUARDS I--> 555422

Fig.	P/n	QTY	Name
------	-----	-----	------

Notes:
[5445H]



1	6758344	7	screw
2	R702643	1	small guard
3	0871050	1	spring
4	7400030	3	washer
5	6593838	3	nut
6	6211467	3	screw
7	R672907	1	cup
8	6221467	5	screw
9	7400032	15	washer
10	6506234	15	nut
11	R702636	1	support
12	R702638	1	support
13	R702639	1	support
14	R702637	1	support
15	R634718	1	guard
16	R599867	1	guard
17	R702628	1	small guard
18	6220467	2	screw
19	0450459	1	lock
20	0400528	1	spring
21	0633657	2	spring

MOWER ASSEMBLY PROTECTION

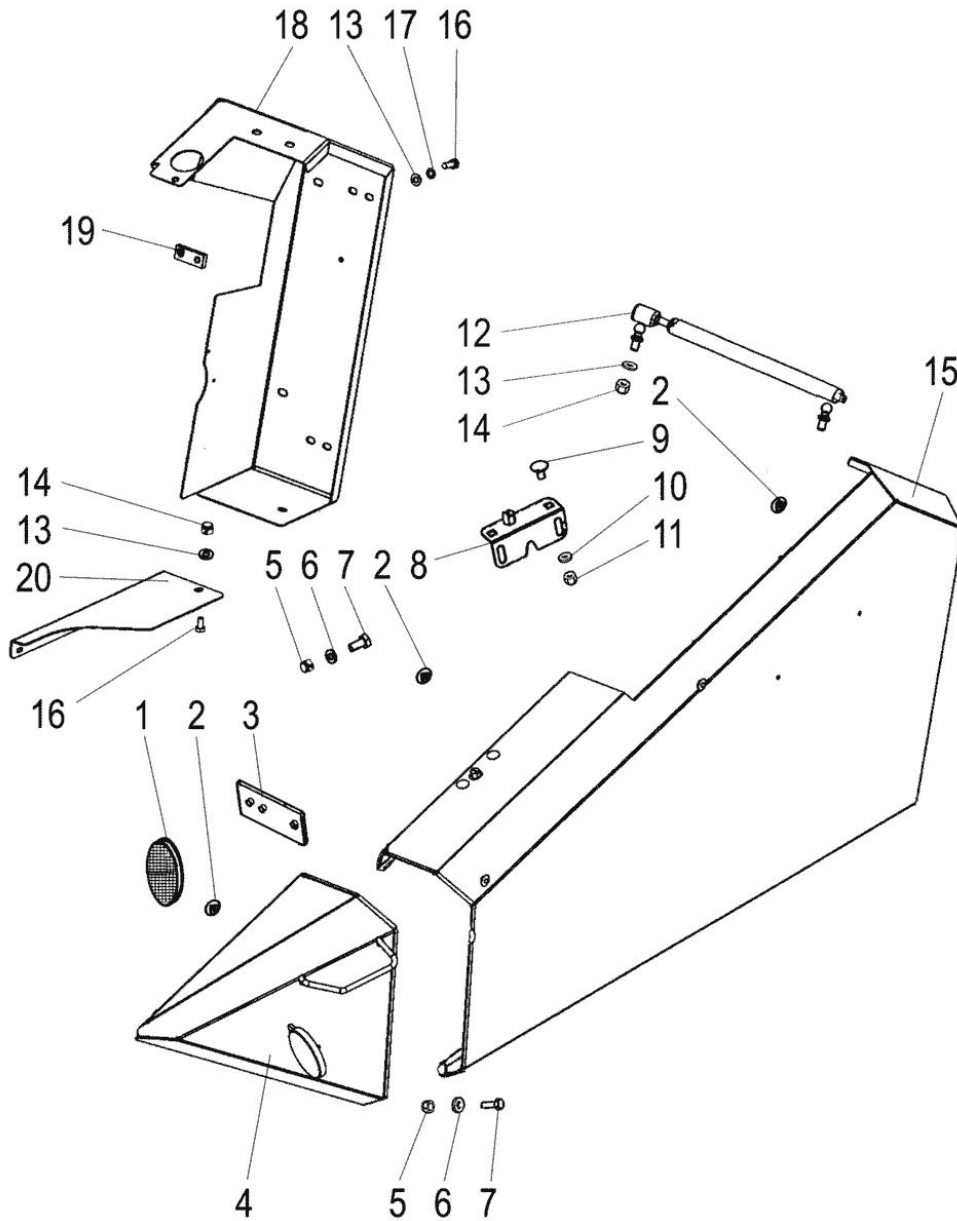


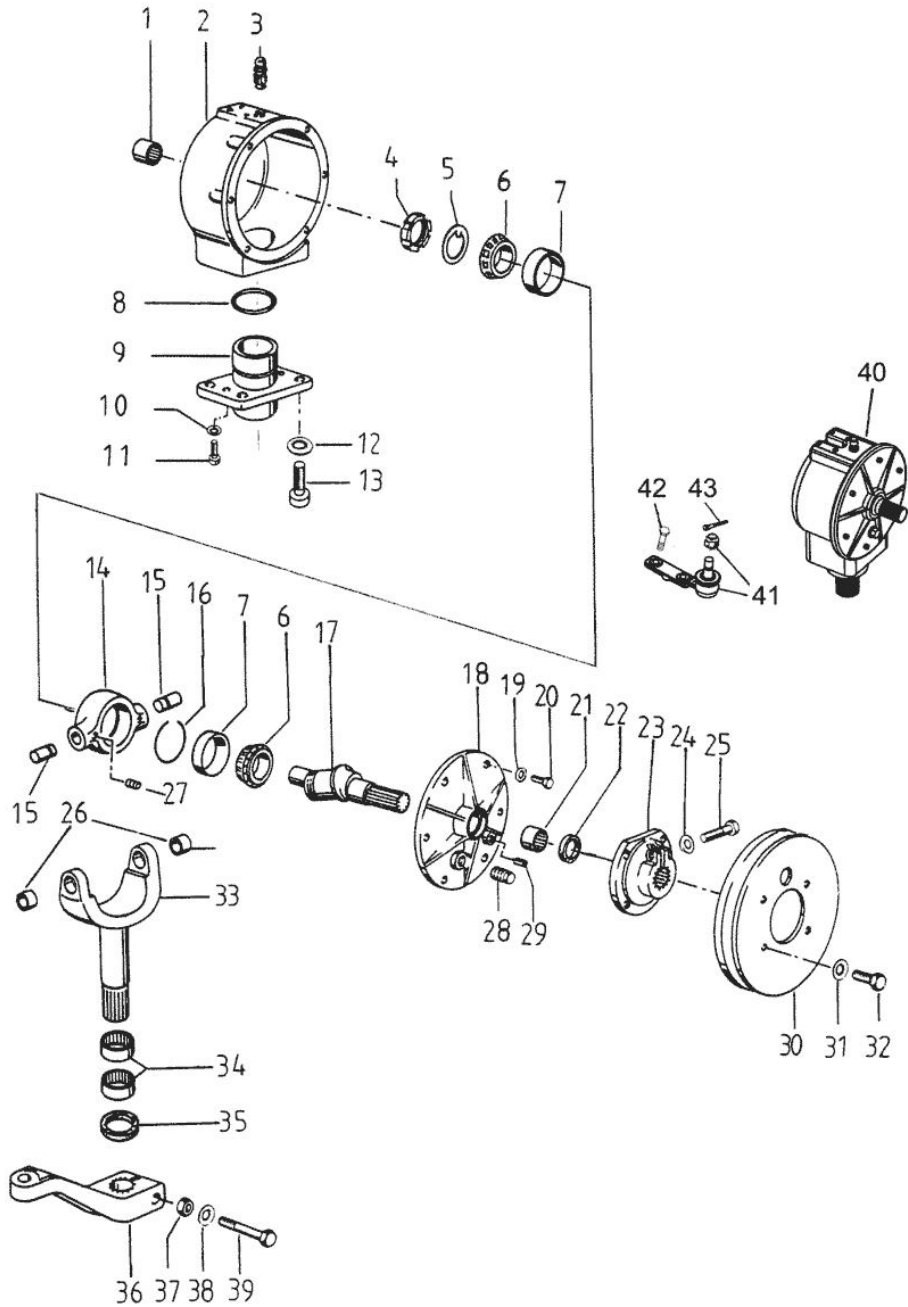
Fig.	P/n	QTY	Name
Notes:			
[5445H]			
1	8020236	1	reflector
2	0633657	3	spring
3	R594817	1	support
4	R702759	1	small guard
5	6593838	5	nut
6	7400030	9	washer
7	6211067	5	screw
8	0450459	1	lock
9	6758144	2	screw
10	7400033	2	washer
11	6506234	2	nut
12	0400522	1	shock absorber
13	7400032	7	washer
14	6594038	3	nut
15	R702758	1	small guard
16	6221267	5	screw
17	7414469	4	washer
18	R702767	1	small guard
19	R681539	2	plate
20	R702772	1	plate

KNIFE DRIVE WB

Fig.	P/n	QTY	Name
------	-----	-----	------

Notes:
[5445H]

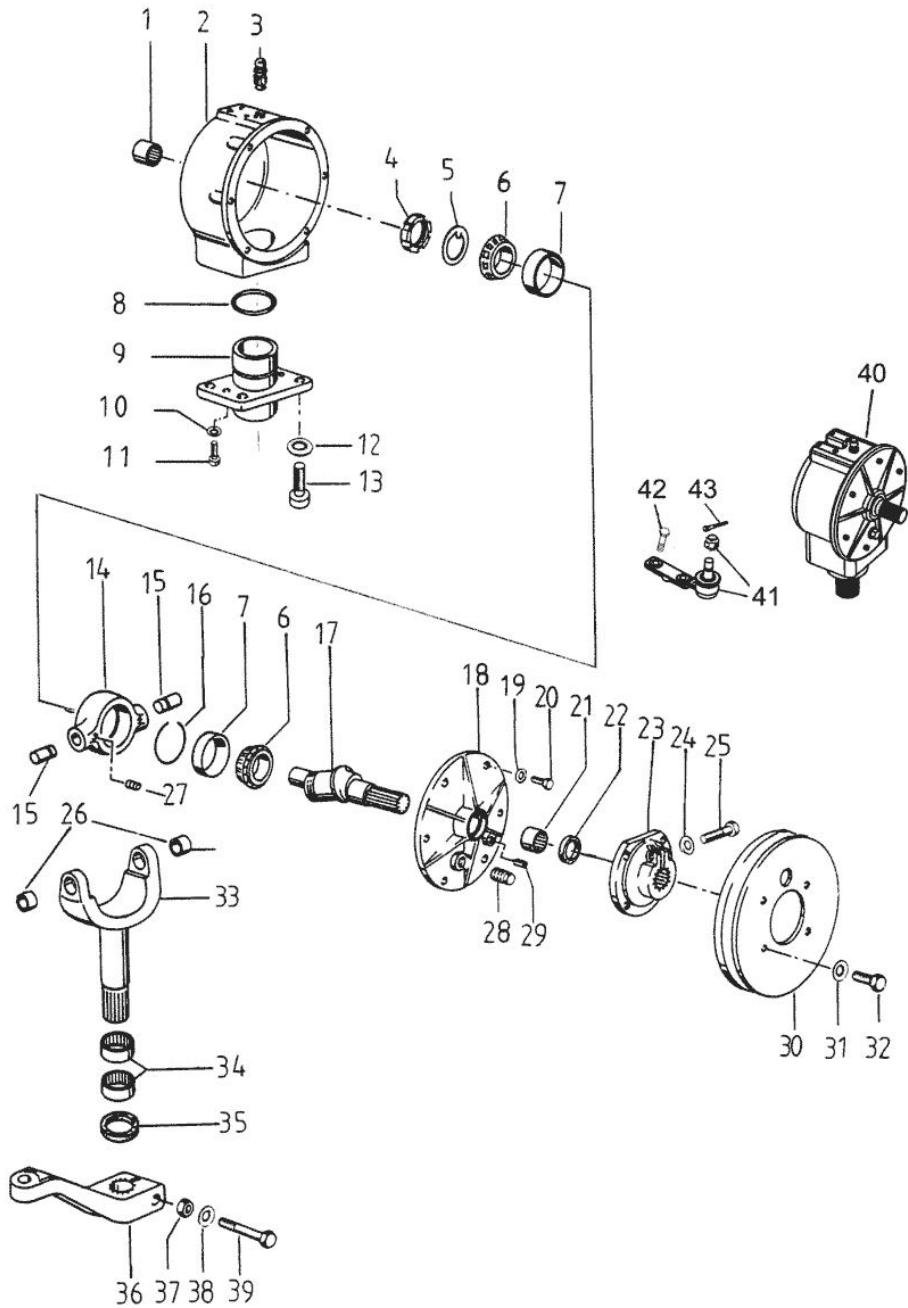
1	0487001	1	bearing
2	0487002	1	box
3	0487003	1	breather
4	0487004	1	nut
5	0487005	1	ring
6	0487006	2	bearing
7	0487007	2	bearing
8	0487015	1	ring
9	0487016	1	base
10	0487017	2	washer
11	0487018	2	screw
12	7514020	4	washer
13	0487033	4	screw
14	0487008	1	box
15	0487009	2	pin
16	0487010	1	ring
17	0487011	1	shaft
18	0487012	1	cover
19	7414469	6	washer
20	6221267	6	screw
21	0487013	1	bearing
22	0487014	1	ring for fitting
23	0424372	1	hub
24	0487027	1	washer
25	0487028	1	screw
26	0487020	2	bushing
27	0487043	2	screw
28	0487024	1	connector
29	0487025	1	connector
30	0424373	1	pulley
31	0487030	4	spring washer
32	0487031	4	screw
33	0487021	1	fork
34	0487022	2	bearing
35	0487023	1	ring for fitting
36	0424374	1	lever
37	0487035	1	nut
38	0487036	1	spring washer
39	6233577	1	screw
40	0424370	1	gear
41	0424375	1	joint



KNIFE DRIVE WB

Fig.	P/n	QTY	Name
------	-----	-----	------

42	6231167	2	screw
43	7812123	2	split pin



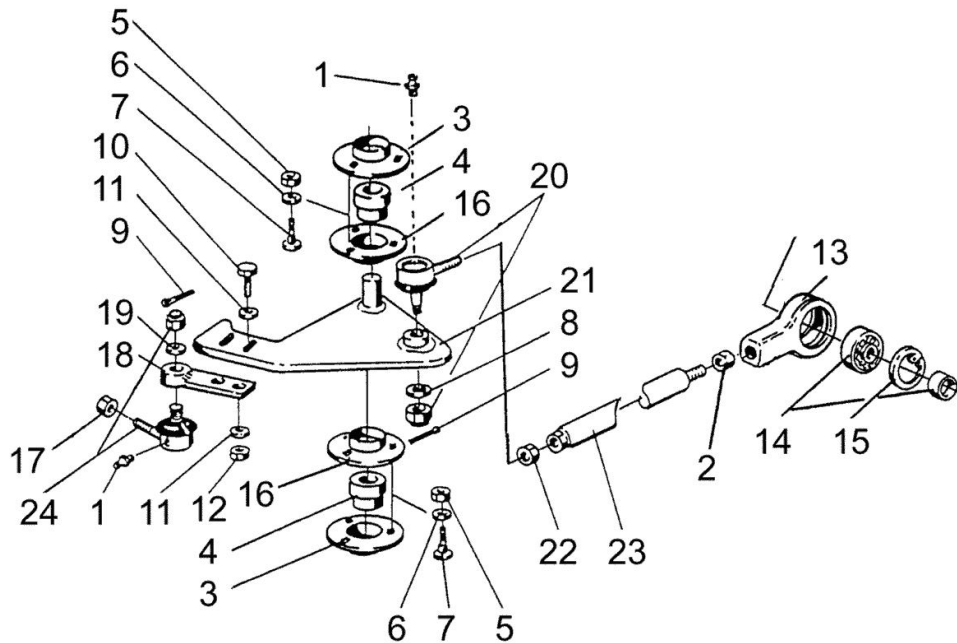
KNIFE DRIVE KK

Fig.	P/n	QTY	Name
------	-----	-----	------

Notes:
[5445H]

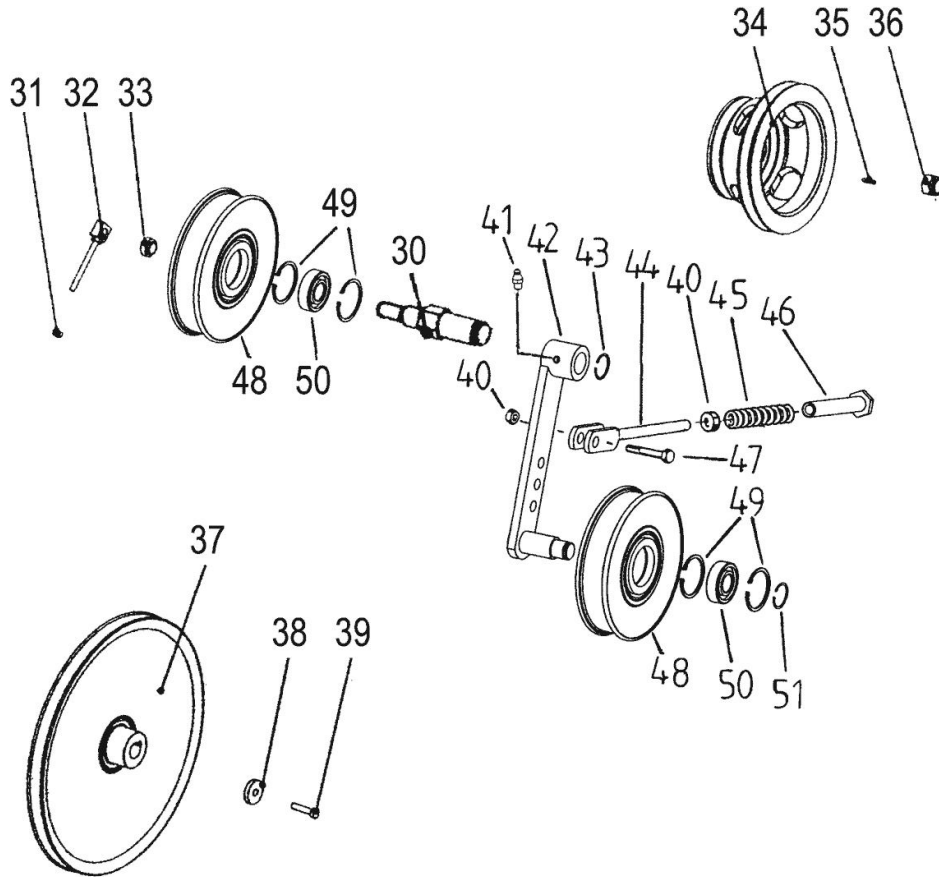
1	0252405	1	grease gun
2	6507224	1	nut
3	0569321	4	bearing housing
4	0511054	2	bearing
5	6594038	6	nut
6	7400032	9	washer
7	6221467	6	screw
8	7400036	1	washer
9	7812123	2	split pin
10	6226767	2	screw
11	7400033	4	washer
12	6594148	2	nut
13	R692343	1	box
14	0550015	1	bearing
15	7815254	1	ring
16	R688400	2	tube
17	0493988	1	nut
18	R692426	1	lever
19	7400036	1	washer
20	0497728	1	joint
21	R692438	1	lever
22	6522131	1	nut
23	R692421	1	connecting rod
24	0497729	1	joint

CUTTING TABLE PULLEYS WB

Fig.	P/n	QTY	Name
------	-----	-----	------

Notes:
[5445H]

30	R697892	1	shaft
31	6594148	1	nut
32	R652449	1	stay
33	R697893	1	special bushing
34	R697896	1	pulley
			-> P05717
34	R700981	1	pulley
			-> P05718
35	7717156	1	key
			-> P05718
36	6594638	1	nut
			-> P05718
37	R696959	1	pulley
38	R698499	1	washer
39	6227177	1	screw
40	6594238	2	nut
41	0252420	1	grease gun
42	R697890	1	arm
43	7815022	1	circlip
44	R663251	1	stay
45	0415225	1	spring
46	R663254	1	special bushing
47	6231767	1	screw
48	0660016	2	tensioner
49	7815238	2	circlip
50	0502364	2	bearing
51	7815017	1	circlip

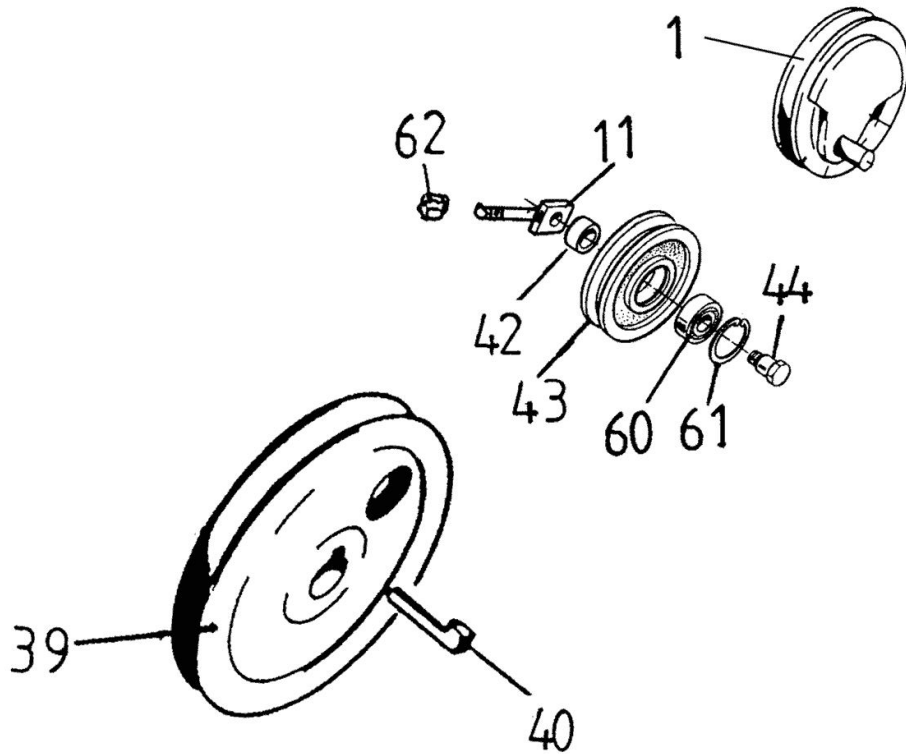


CUTTING TABLE PULLEYS KK

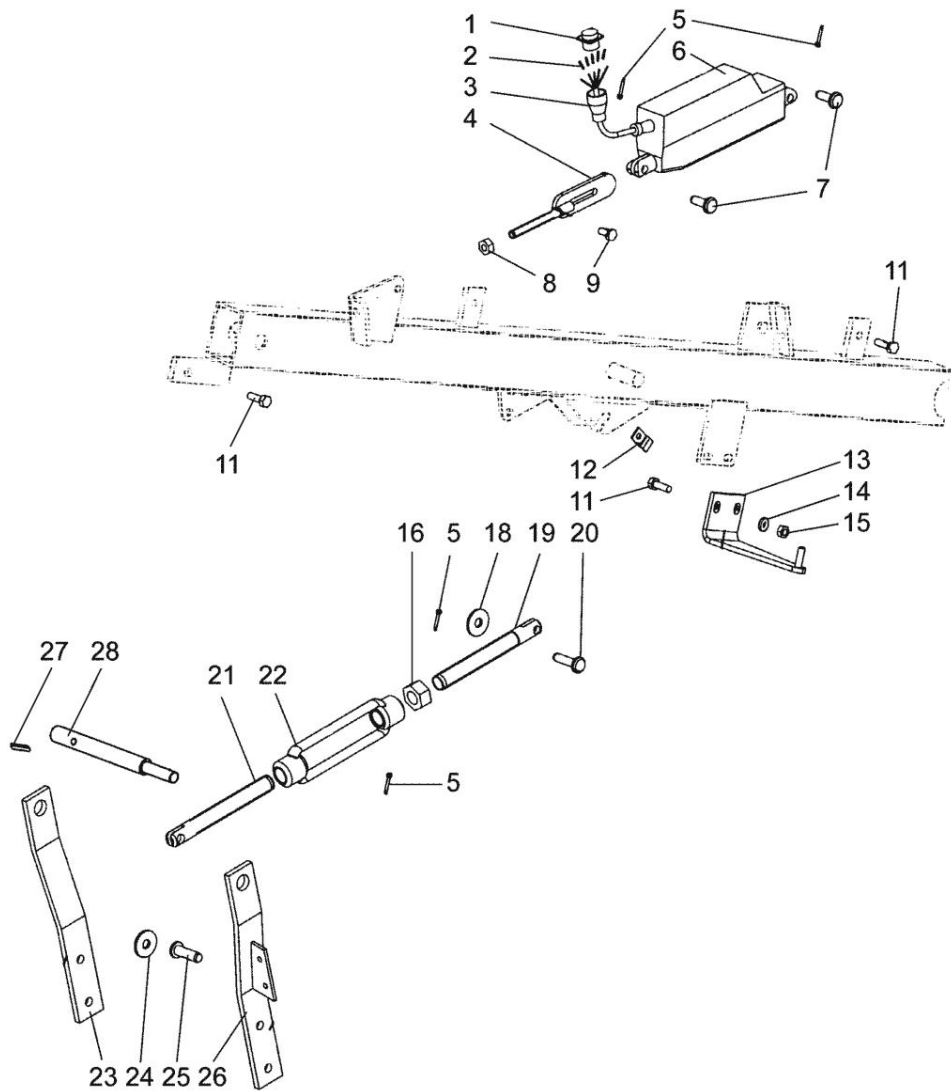
Fig.	P/n	QTY	Name
------	-----	-----	------

Notes:
[5445H]

1	R692498	1	pulley
11	R652449	1	stay
39	R652284	1	pulley
40	7712050	1	stick
42	R066732	1	special bushing
43	0660016	1	tensioner
44	R596052	1	pin
60	0502364	1	bearing
61	7815238	1	circlip
62	6594148	1	nut



REEL SUPPORT ARMS, L.H., MECHANICAL



Notes:
[5445H]

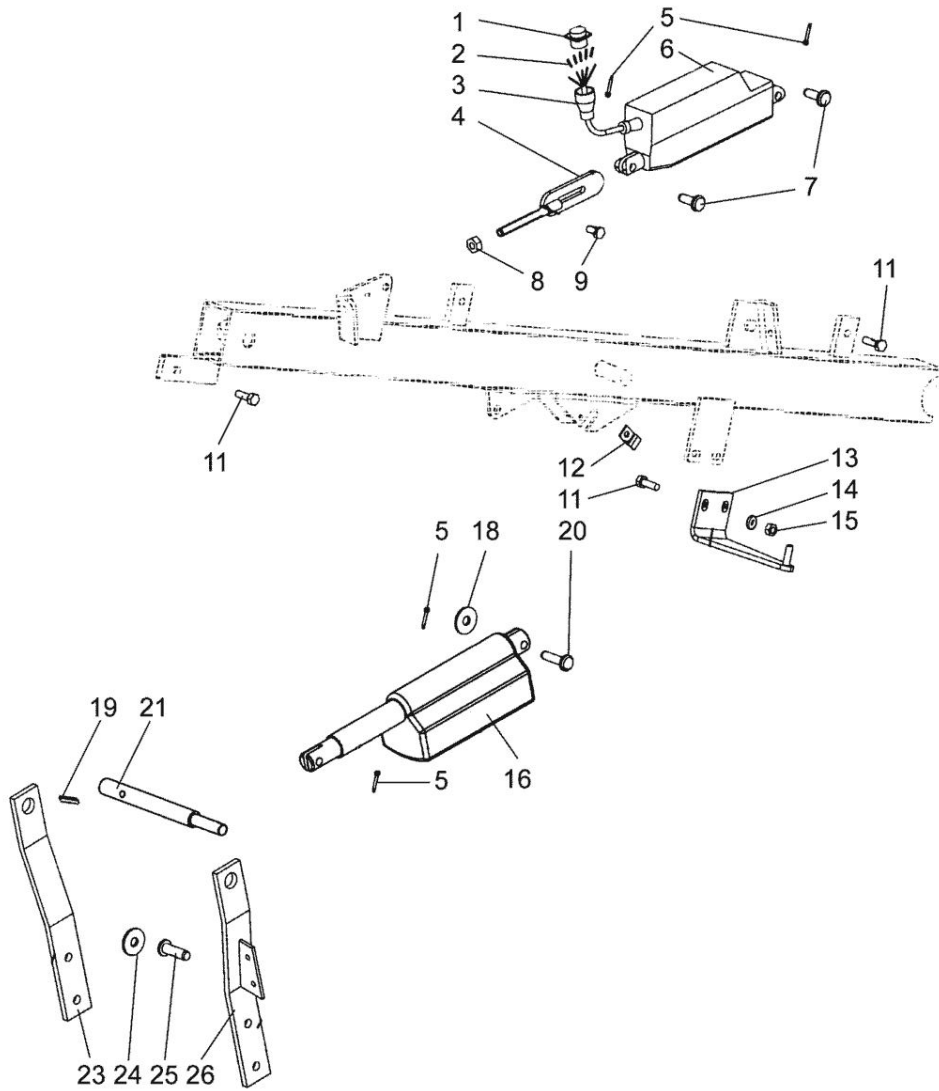
Fig.	P/n	QTY	Name
1	8031975	1	socket
2	8030284	5	bushing
3	8031977	1	cable
4	R702165	1	clamp
5	7812116	4	split pin
6	8031935	1	electric motor
7	R697981	2	pin
8	6506431	2	nut
9	6220867	1	screw
11	6221467	5	screw
12	R588383	1	bracket
13	R702647	1	support
14	7400032	15	washer
15	6506234	15	nut
16	6507224	1	nut
18	7414059	2	washer
19	R702978	1	rod
20	R702168	1	pin
21	R702979	1	rod
22	0679049	1	adjustable tensioner
23	R621417	1	bracket
24	7400033	1	washer
25	R702169	1	pin
26	R621416	1	lever
27	7814201	1	pin
28	R615375	1	pin

REEL SUPPORT ARMS, L.H., ELECTRIC

Fig.	P/n	QTY	Name
------	-----	-----	------

Notes:
[5445H]

1	8031975	1	socket
2	8030284	5	bushing
3	8031977	1	cable
4	R702165	1	clamp
5	7812116	4	split pin
6	8031935	1	electric motor
7	R697981	2	pin
8	6506431	2	nut
9	6220867	1	screw
11	6221467	5	screw
12	R588383	1	bracket
13	R702647	1	support
14	7400032	15	washer
15	6506234	15	nut
16	8031938	1	electric motor
18	7414059	2	washer
19	7814201	1	pin
20	R702168	1	pin
21	R615375	1	pin
23	R621417	1	bracket
24	7400033	1	washer
25	R702169	1	pin
26	R621416	1	lever

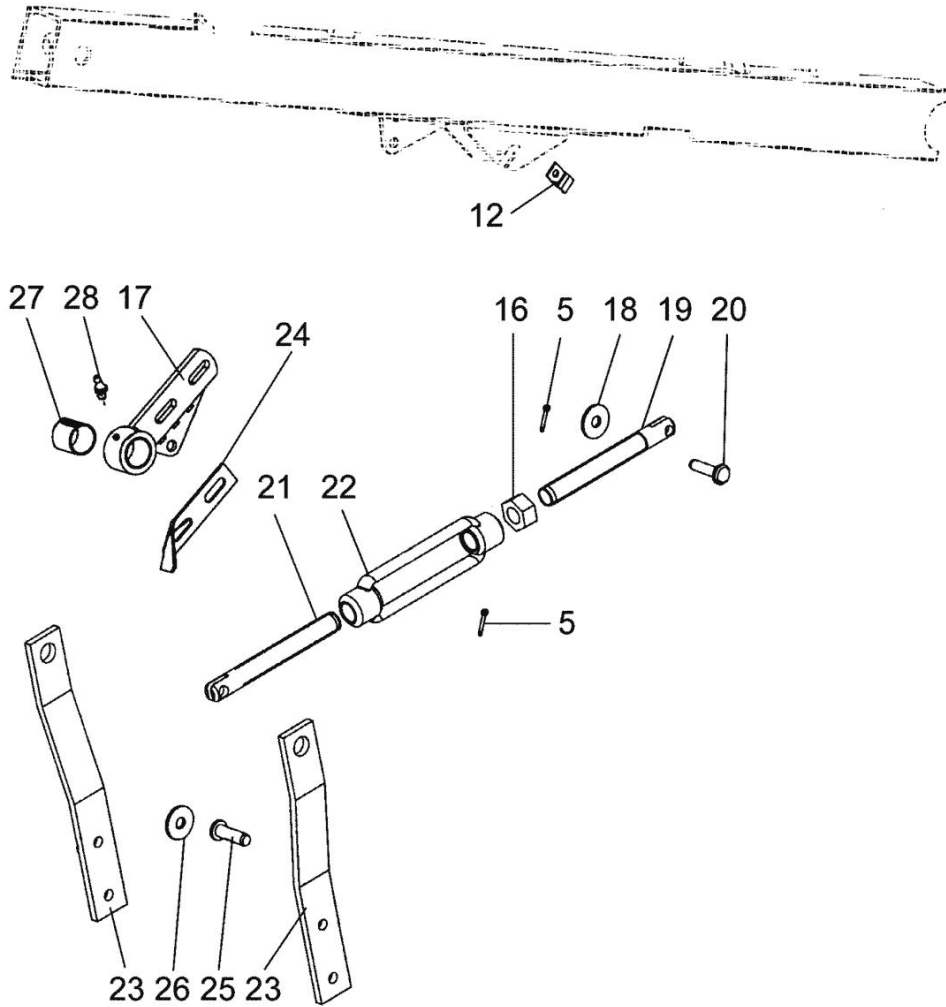


REEL SUPPORT ARMS, R.H., MECHANICAL

Fig.	P/n	QTY	Name
------	-----	-----	------

Notes:
[5445H]

5	7812116	4	split pin
12	R588383	1	bracket
16	6507224	1	nut
17	R695330	1	bearing
18	7414059	2	washer
19	R702978	1	rod
20	R702168	1	pin
21	R702979	1	rod
22	0679049	1	adjustable tensioner
23	R621417	2	bracket
24	R633103	1	bracket
25	R702169	1	pin
26	7400033	1	washer
27	0553054	1	special bushing
28	0252420	1	grease gun



Thank you so much for reading.
Please click the “Buy Now!”
button below to download the
complete manual.



After you pay.

You can download the most
perfect and complete manual in
the world immediately.

Our support email:

ebooklibonline@outlook.com