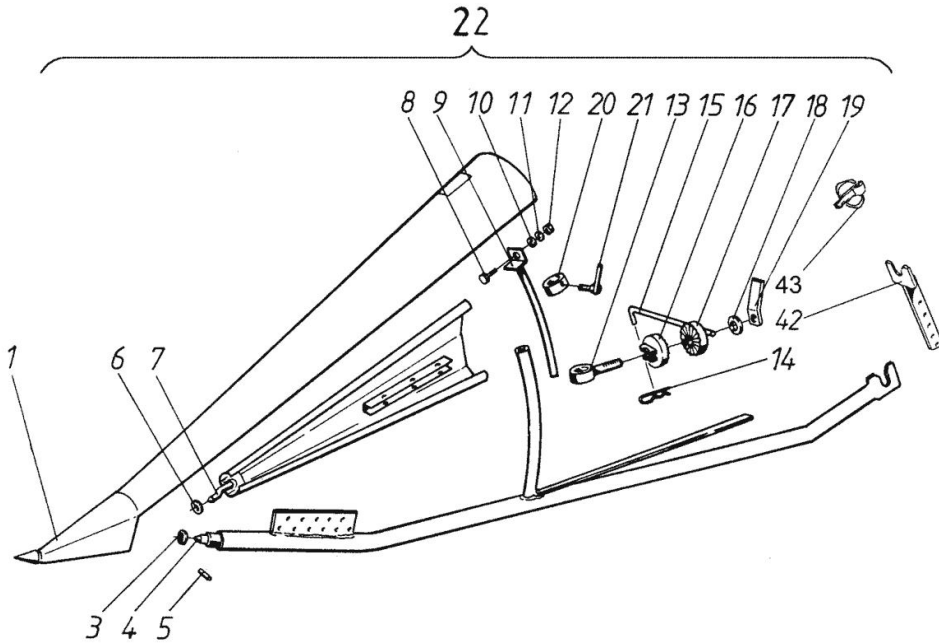


LONG DIVIDERS, WB

Fig.	P/n	QTY	Name
------	-----	-----	------

Notes:
[5465H]

1	R625236	1	cover
3	R618931	2	shock absorber
4	R698832	2	tube
5	7814198	2	pin
6	R619014	4	shock absorber
7	R618954	2	rod
8	6226167	2	screw
9	R618960	2	rod
10	7400033	2	washer
11	7414471	2	washer
12	6506434	4	nut
13	R615795	2	screw
14	7812410	2	pin
15	R082536	2	adjustable tensioner
16	R616697	2	adjustable tensioner
17	R082544	2	adjustable tensioner
18	7414062	2	washer
19	R595936	4	nut
20	R596036	2	ring
21	R596034	2	screw
22	R698830	1	separator
42	R588385	2	plate
43	7814285	2	pin

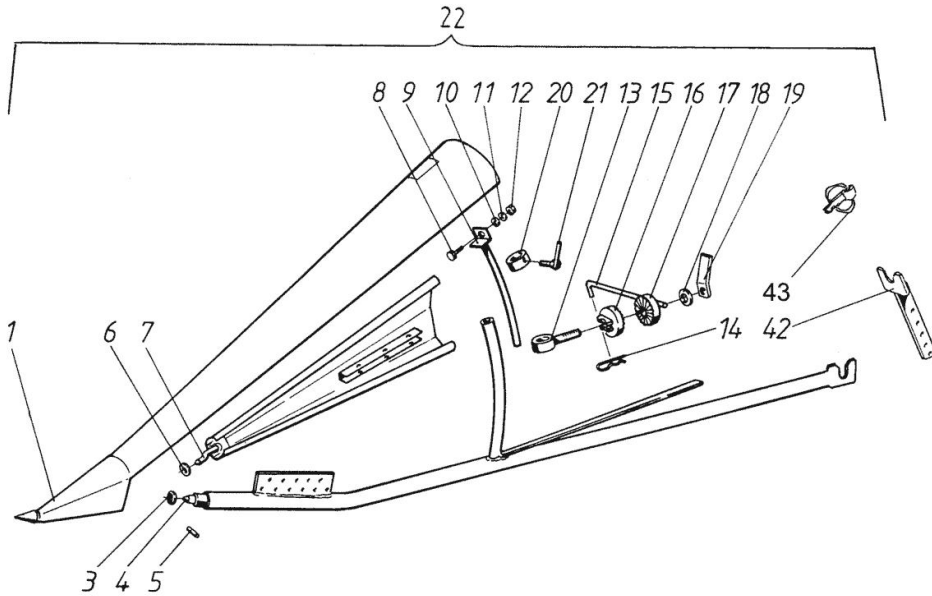


LONG DIVIDERS, KK

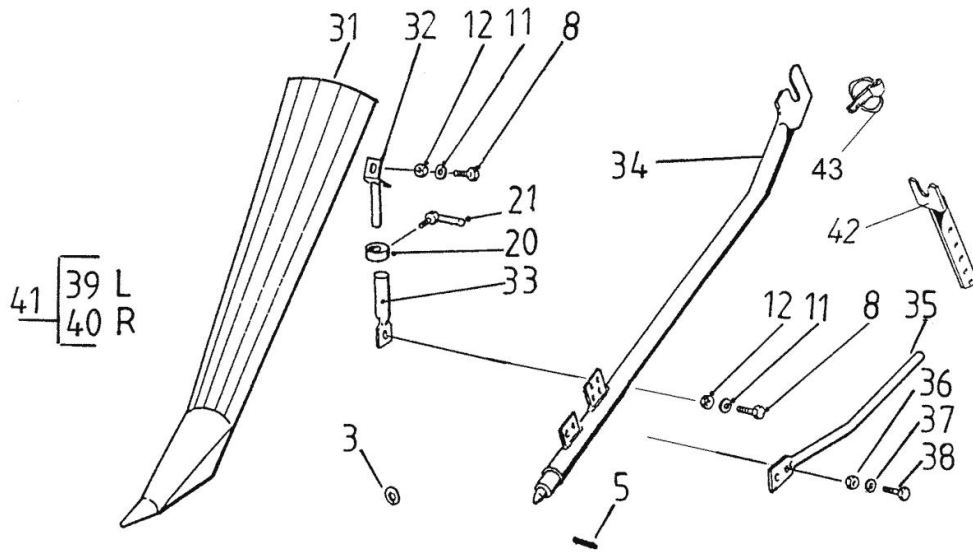
Fig.	P/n	QTY	Name
------	-----	-----	------

Notes:
[5465H]

1	R625236	1	cover
2	R625237	1	cover
3	R618931	2	shock absorber
4	R618968	2	tube
5	7814198	2	pin
6	R619014	4	shock absorber
7	R618954	2	rod
8	6226167	2	screw
9	R618960	2	rod
10	7400033	2	washer
11	7414471	2	washer
12	6506434	4	nut
13	R615795	2	screw
14	7812410	2	pin
15	R082536	2	adjustable tensioner
16	R616697	2	adjustable tensioner
17	R082544	2	adjustable tensioner
18	7414062	2	washer
19	R595936	4	nut
20	R596036	2	ring
21	R596034	2	screw
22	R640998	1	separator
42	R588385	2	plate
43	7814285	2	pin



SHORT DIVIDERS, WB



Notes:
[5465H]

Fig.	P/n	QTY	Name
3	R618931	2	shock absorber
5	7814198	2	pin
8	6226167	2	screw
11	7414471	2	washer
12	6506434	4	nut
20	R596036	2	ring
21	R596034	2	screw
31	R679079	1	cover
32	R679089	1	pin
33	R679087	1	support
34	R698837	1	tube
35	R683151	1	tube
36	6506234	2	nut
37	7414469	2	washer
38	6221267	4	screw
39	R698835	1	separator
40	R698836	1	separator
41	R698849	1	separator - KIT
42	R588385	2	plate
43	7814285	2	pin

SHORT DIVIDERS, KK

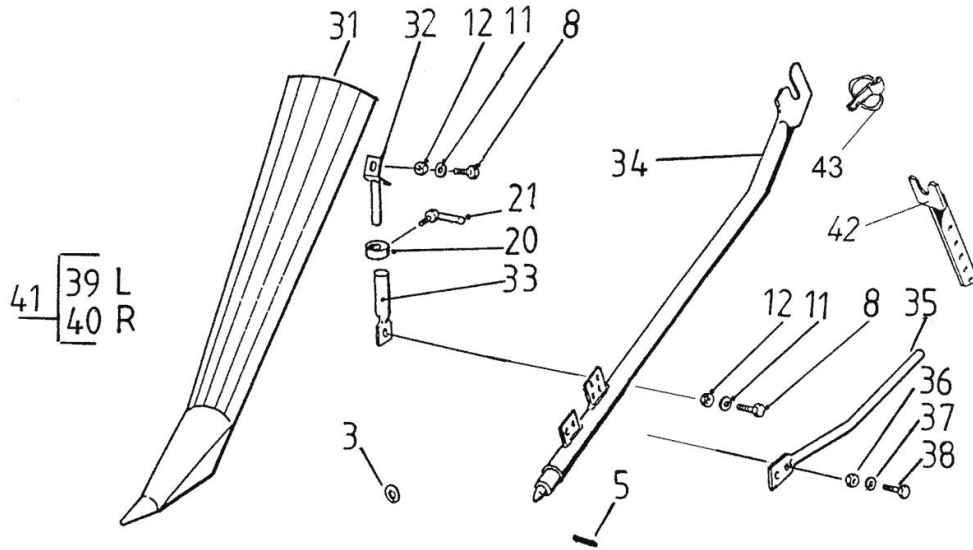


Fig.	P/n	QTY	Name
------	-----	-----	------

Notes:
[5465H]

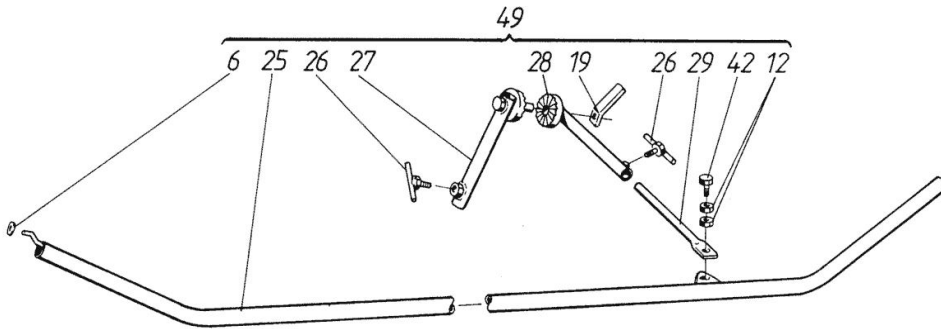
3	R618931	2	shock absorber
5	7814198	2	pin
8	6226167	2	screw
11	7414471	2	washer
12	6506434	4	nut
20	R596036	2	ring
21	R596034	2	screw
31	R679079	1	cover
32	R679089	1	pin
33	R679087	1	support
34	R679076	2	tube
35	R683151	1	tube
36	6506234	2	nut
37	7414469	2	washer
38	6221267	4	screw
39	R698835	1	separator
40	R698836	1	separator
41	R698849	1	separator - KIT
42	R588385	2	plate
43	7814285	2	pin

SIDETUBE

Fig.	P/n	QTY	Name
------	-----	-----	------

Notes:
[5465H]

6	R619014	4	shock absorber
12	6506434	4	nut
19	R595936	4	nut
25	R618963	1	tube
25	R652141	1	tube
			For Norway
26	R596035	4	screw
27	R595864	2	support
28	R595865	2	tube
29	R082550	2	adjustable tensioner
42	6226977	2	screw
49	R643603	1	adjustable tensioner

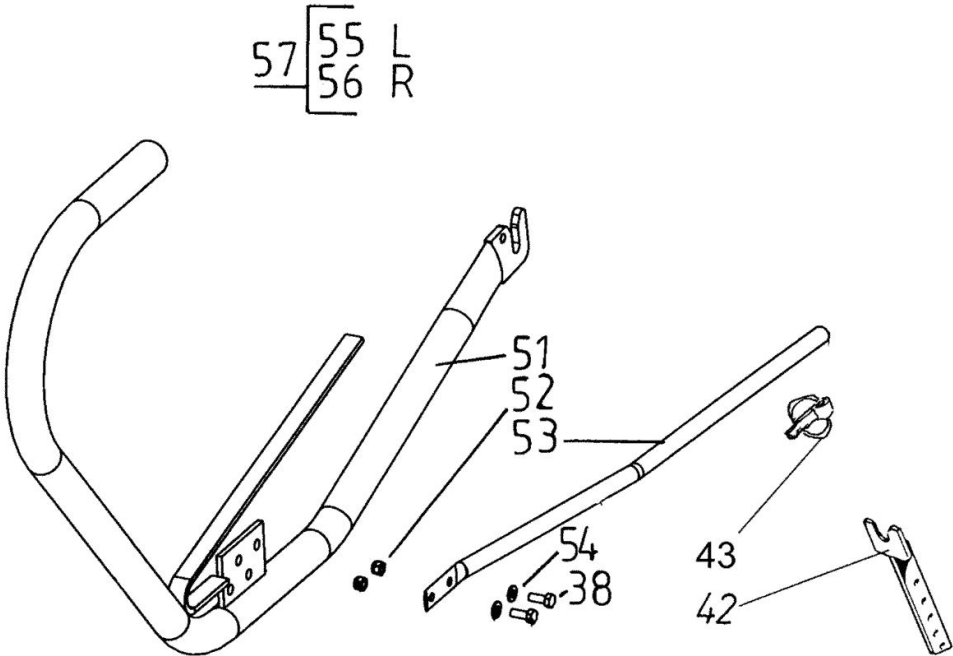


BOW DIVIDER

Fig.	P/n	QTY	Name
------	-----	-----	------

Notes:
[5465H]

38	6221267	4	screw
42	R588385	2	plate
43	7814285	2	pin
51	R698840	1	tube
52	6594048	2	nut
53	R683151	1	tube
54	7400032	2	washer
55	R698841	1	tube
56	R698842	1	tube
57	R698850	1	tube - KIT

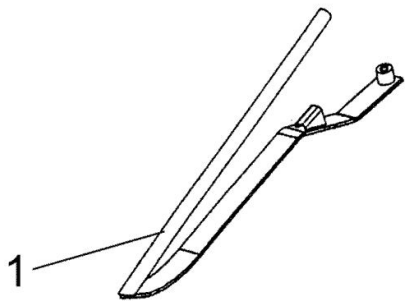


EARLIFTERS

Fig.	P/n	QTY	Name
------	-----	-----	------

Notes:
[5465H]

1	R620041		earlifter
---	---------	--	-----------



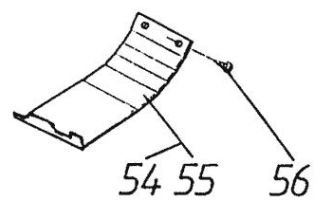
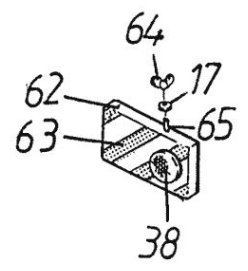
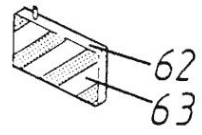
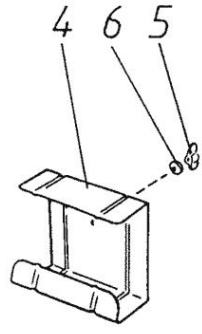
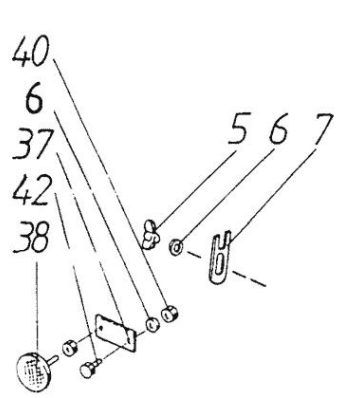
▶◀ 3,1m x 9
3,4m x 10
3,9m x 12
4,2m x 13
4,5m x 14
4,8m x 15
5,1m x 16

CUTTING TABLE'S COMMON PARTS

Fig.	P/n	QTY	Name
------	-----	-----	------

Notes:
[5465H]

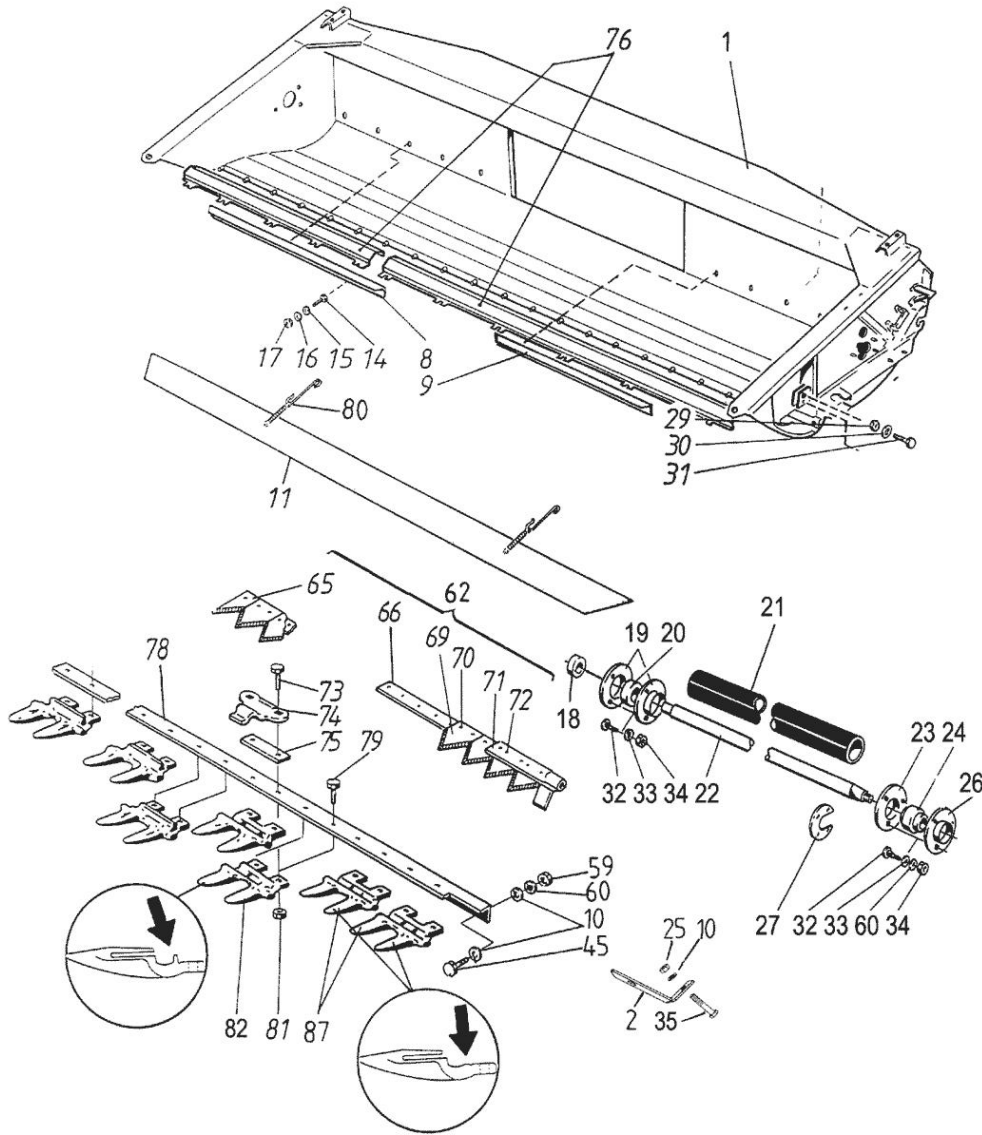
4	R687106	1	support
5	6598504	2	wing nut
6	7400030	10	washer
7	R678333	1	stopper
17	6506234	30	nut
37	R594817	2	support
38	8020236	2	reflector
40	6593838	5	nut
42	6211067	5	screw
54	R689393	1	plate
55	R689394	1	plate
56	7268607	4	block
62	R691390	2	guard
63	0812714	2	plate
64	6598704	2	nut
65	6221467	2	screw



CUTTING TABLE 3,1M KK

Fig.	P/n	QTY	Name
------	-----	-----	------

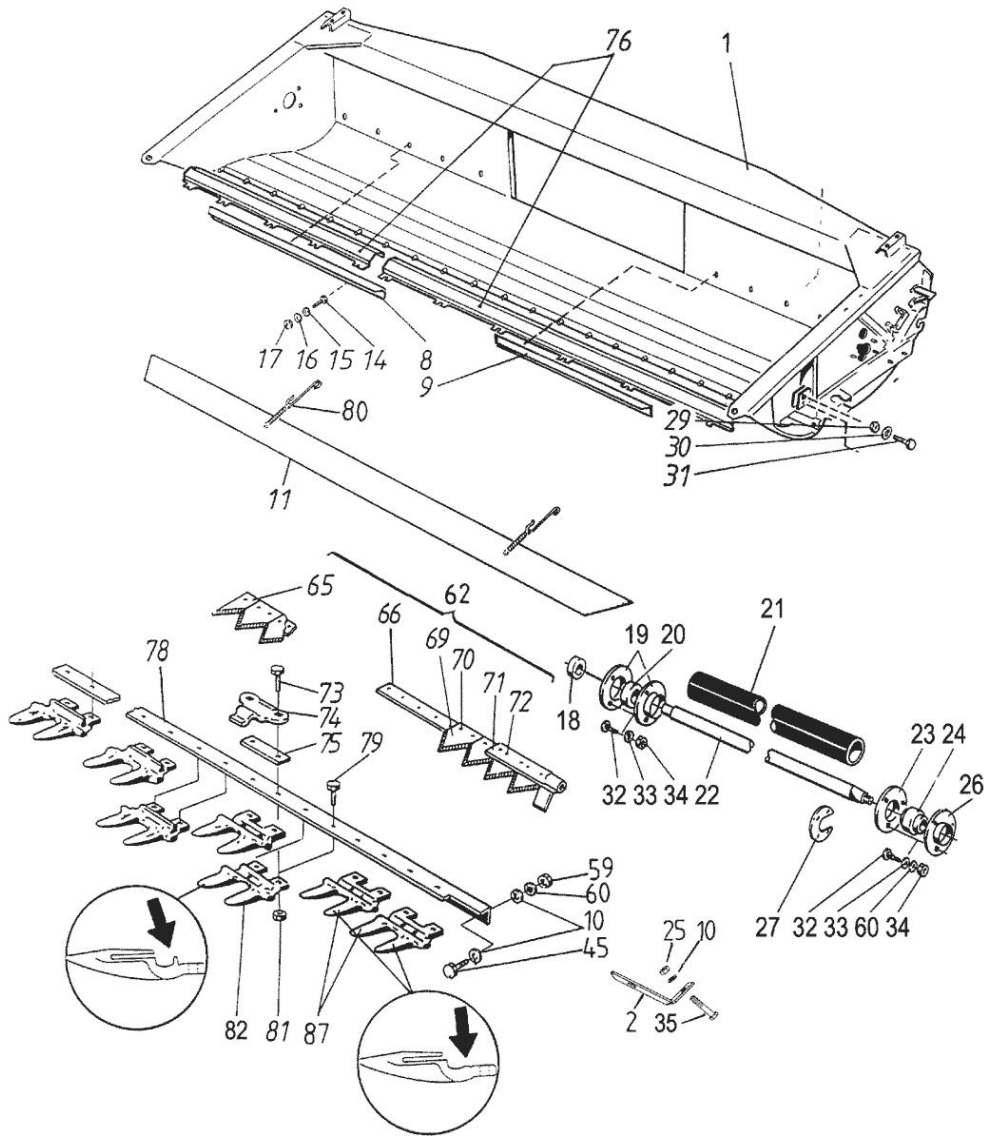
Notes:
[5465H]



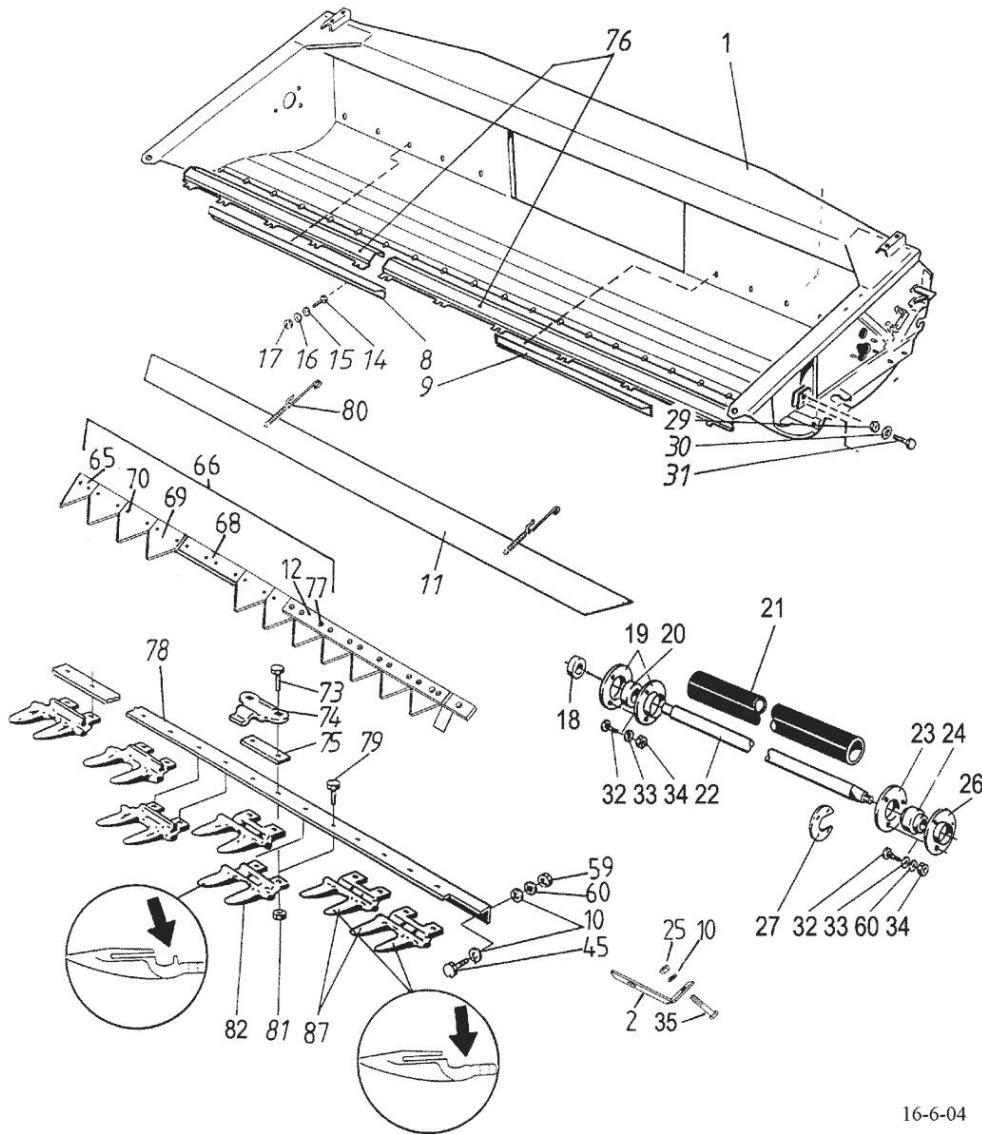
1	R703101	1	casing
2	R699525	1	support
8	R686283	1	plate
9	R686283	1	plate
10	7400033		washer
11	R685485	1	guard
14	6221267	30	screw
15	7400032	30	washer
16	7414469	30	washer
17	6506234	30	nut
18	R694900	1	bushing
19	0569322	4	bearing housing
20	0511057	1	bearing
21	9687797	1	guard
22	R694852	1	shaft
23	R691171	1	flange
24	0511335	1	bearing
25	6594148	3	nut
26	R691172	1	flange
27	R688774	1	guard
29	6594238	2	nut
30	7400034	2	washer
31	6231767	2	screw
32	6226167	12	screw
33	7400033		washer
34	6506434	12	nut
35	6763544	1	screw
45	6763344	1	screw
59	6506434		nut
60	7414471		washer
62	R686517	1	blade
65	0498828	1	knife blade
			2.7 mm shim
66	R686282	1	plate
69	0498821		knife blade
			2.7 mm shim
70	7614218		rivet
			Length 16 mm
71	R619620	1	knife head
72	7614223	5	rivet
			Length 25 mm

CUTTING TABLE 3,1M KK

Fig.	P/n	QTY	Name
73	6227197		screw
74	0498840		interlock
75	R632966		small plate
76	R695366	1	guard
78	R686280	1	finger bar
79	6266587	1	screw
80	R671443	2	spring
81	6594148		nut
82	0498838		double finger
87	R638710	2	double finger



CUTTING TABLE 3,1M WB



16-6-04

Fig.	P/n	QTY	Name
------	-----	-----	------

Notes:
[5465H]

1	R700032	1	casing
2	R699525	1	support
8	R686283	1	plate
9	R686283	1	plate
10	7400033		washer
11	R685485	1	guard
12	R619620	1	knife head
14	6221267	30	screw
15	7400032	30	washer
16	7414469	30	washer
17	6506234	30	nut
18	R694900	1	bushing
19	0569322	4	bearing housing
20	0511057	1	bearing
21	9687797	1	guard
22	R694852	1	shaft
23	R691171	1	flange
24	0511335	1	bearing
25	6594148	3	nut
26	R691172	1	flange
27	R688774	1	guard
29	6594238	2	nut
30	7400034	2	washer
31	6231767	2	screw
32	6226167	12	screw
33	7400033		washer
34	6506434	12	nut
35	6763544	1	screw
45	6763344	1	screw
59	6506434		nut
60	7414471		washer
65	0498828	1	knife blade
66	R686517	1	blade
68	R686282	1	plate
69	0498821	1	knife blade
70	7614218		rivet
73	6227197		screw
74	0498840		interlock
75	R632966		small plate
76	R695366	1	guard
78	R673280	1	finger bar

Thank you so much for reading.
Please click the “Buy Now!”
button below to download the
complete manual.



After you pay.

You can download the most
perfect and complete manual in
the world immediately.

Our support email:

ebooklibonline@outlook.com