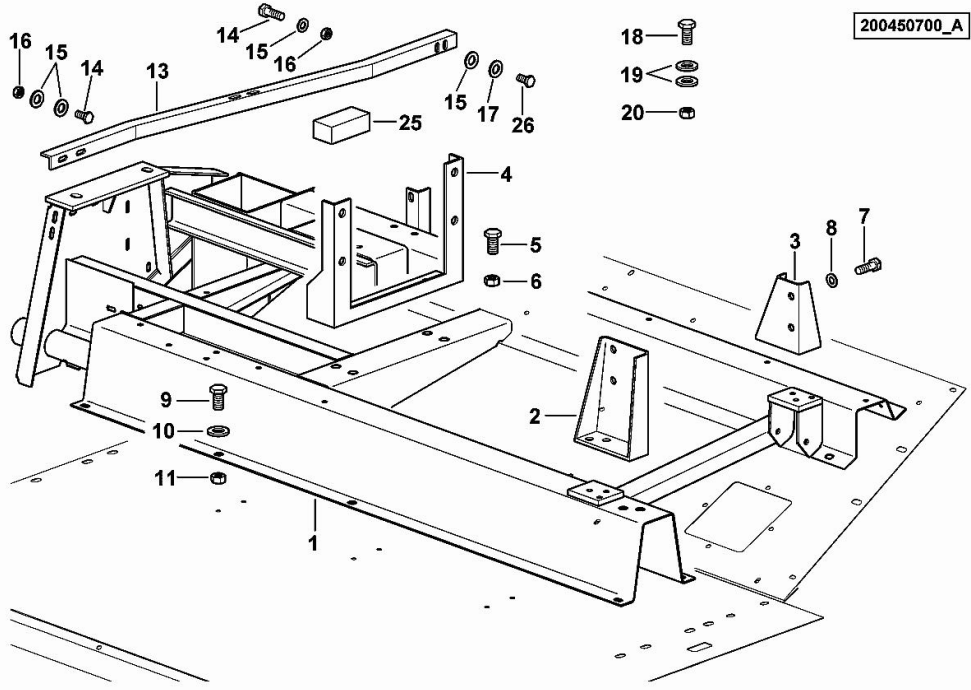


Section: ENGINE

ENGINE ASSEMBLY PARTS BF 6M 1013

Fig.	P/n	QTY	Name
------	-----	-----	------

Notes:  
 [5650H -> 6128-12687 (01/01/2007)]



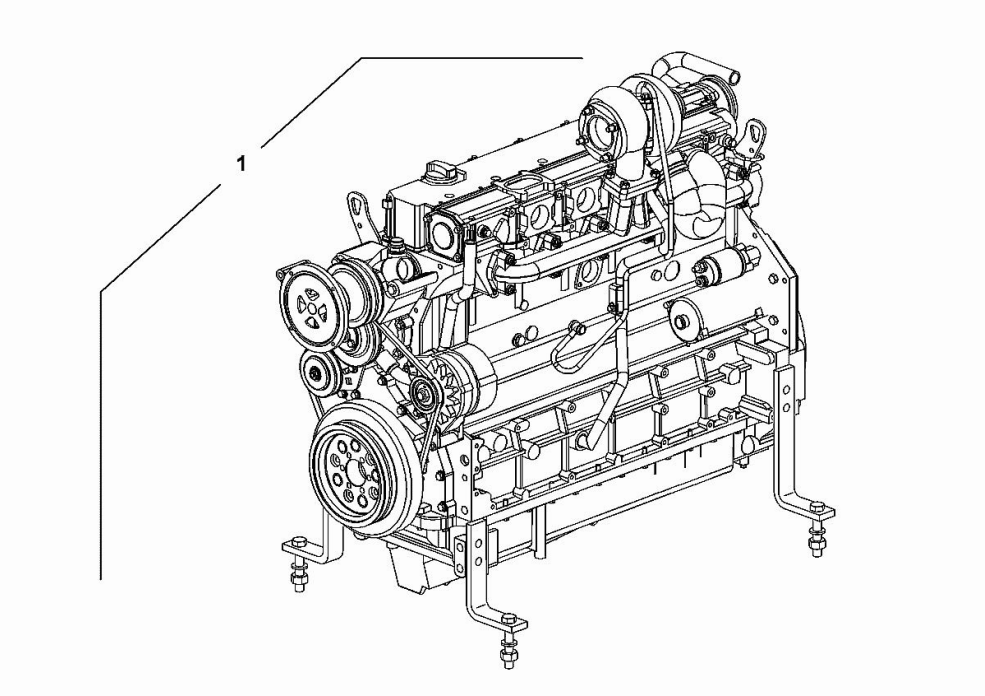
1	16062215	1	frame
2	16049855	1	support
3	16049856	1	support
4	16049858	1	support
5	01112663	2	screw m 16 x 25
6	01127856	2	nut m 16, d985
7	01112547	8	screw m 12 x 40, d933
8	01102801	8	washer 12
9	01112538	4	screw m 12 x 35, d933
10	06214206	4	washer 13.2
11	06209769	4	nut m 12, d985
13	16003305	1	square
14	01112439	1	screw m 10 x 35, d933
15	01107165	4	washer 10.5
16	06209768	3	nut m 10, d985
17	01102800	1	washer 10.2
18	01112538	2	screw m 12 x 35, d933
19	01107163	4	washer 9, d126
20	01104944	2	nut m 8, d985
25	06513239	2	shim 40 x 15 x 10
26	01112429	2	screw m 10 x 30, d933

**ENGINE**

Fig.	P/n	QTY	Name
------	-----	-----	------

**Notes:**  
 MOTOR BF 6M 1013 FC 170 KW / 231 PS ----- [5650H -> 6128-12687 (01/01/2007)]

1	25007118	1	new engine >100 kw
---	----------	---	--------------------

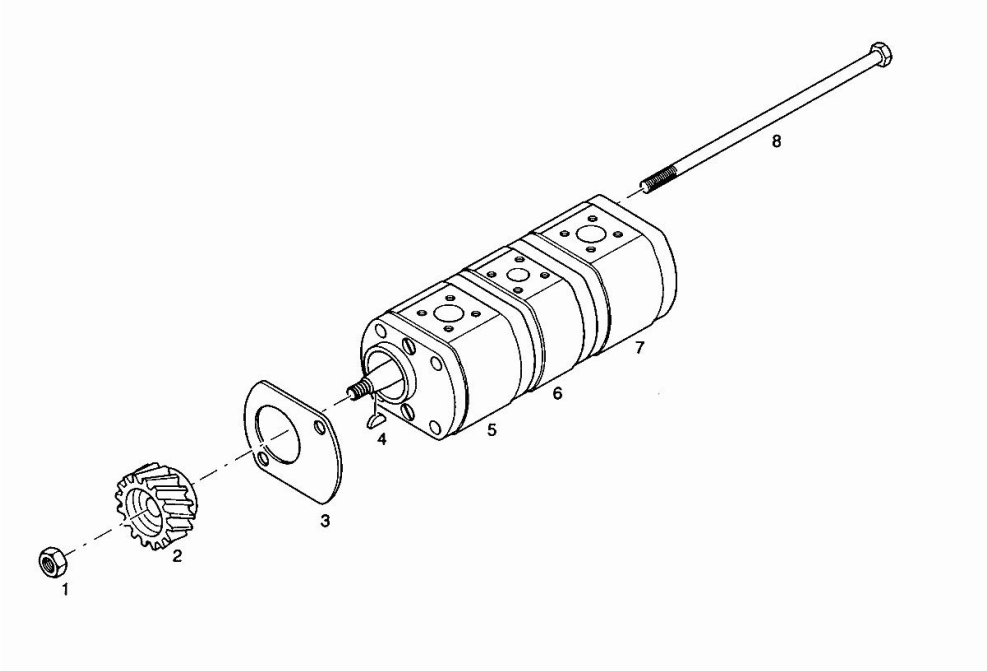


Section: ENGINE  
**LUBRICAT. OIL PUMP**

Fig.	P/n	QTY	Name
------	-----	-----	------

Notes:  
[5650H -> 6128-12687 (01/01/2007)]

1	01262635	1	nut
2	04293529	1	gear
3	02239230	1	gasket
4	04417978	1	key 3x5
5	16055700	1	hydraulic pump 14 cm <sup>3</sup> COMPONENT PARTS SEE COMPONENTS LIST WORKING HYDR.SYST. ☞ 4D.07.20000
6	16055701	1	hydraulic pump 4 cm <sup>3</sup> COMPONENT PARTS SEE COMPONENTS LIST WORKING HYDR.SYST. ☞ 4D.07.20000
6.1	16055810	1	hydraulic pump 8 cm <sup>3</sup> W COMPONENT PARTS SEE COMPONENTS LIST BALANCE ☞ 4D.07.20000
7	16055702	1	hydraulic pump 8 cc COMPONENT PARTS SEE COMPONENTS LIST STEERING HYDRAULIC ☞ 4D.07.20000
8	01144456	2	screw m 10 x 285 STANDARD EQUIPMENT
8.1	01137128	2	screw m 10 x 285 W BALANCE

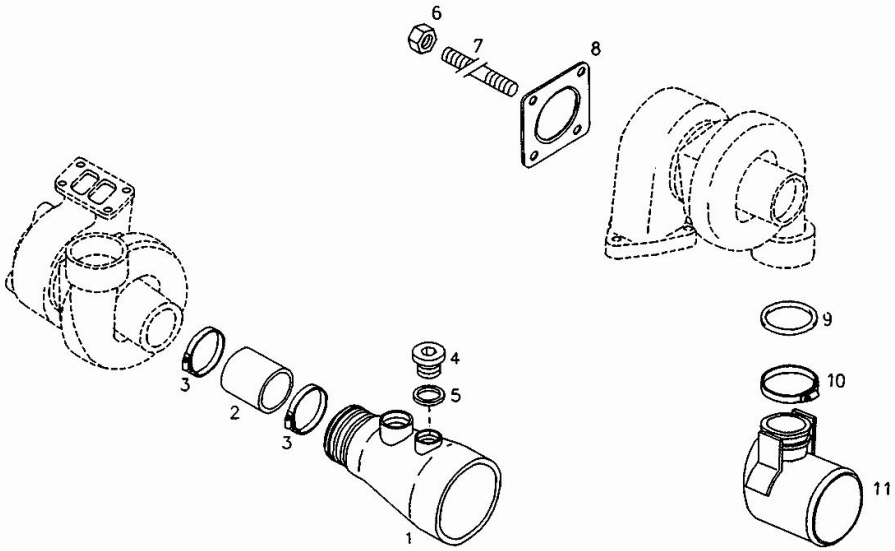


**ENGINE TURBOCHARGER BF 6M 1013**

Fig.	P/n	QTY	Name
------	-----	-----	------

Notes:  
 [5650H -> 6128-12687 (01/01/2007)]

1	04180232	1	manifold
2	16062481	1	adapter
3	01173940	2	clamp Ø 70/90
4	01148158	1	plug
5	01118760	1	gasket 26x31
6	01144673	4	nut
7	01143285	4	stud bolt
8	04209203	1	gasket
9	01180295	1	gasket
10	01174133	1	fascia
11	04209073	1	sleeve



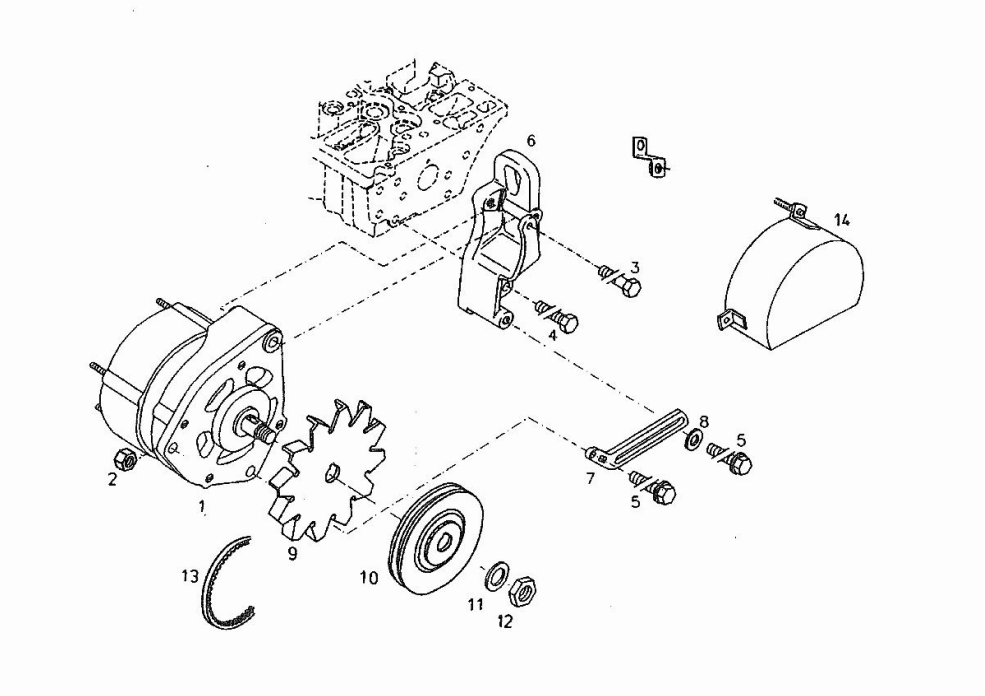
Section: ENGINE

ENGINE GENERATOR BF 6M 1013

Fig.	P/n	QTY	Name
------	-----	-----	------

Notes:  
 [5650H -> 6128-12687 (01/01/2007)]

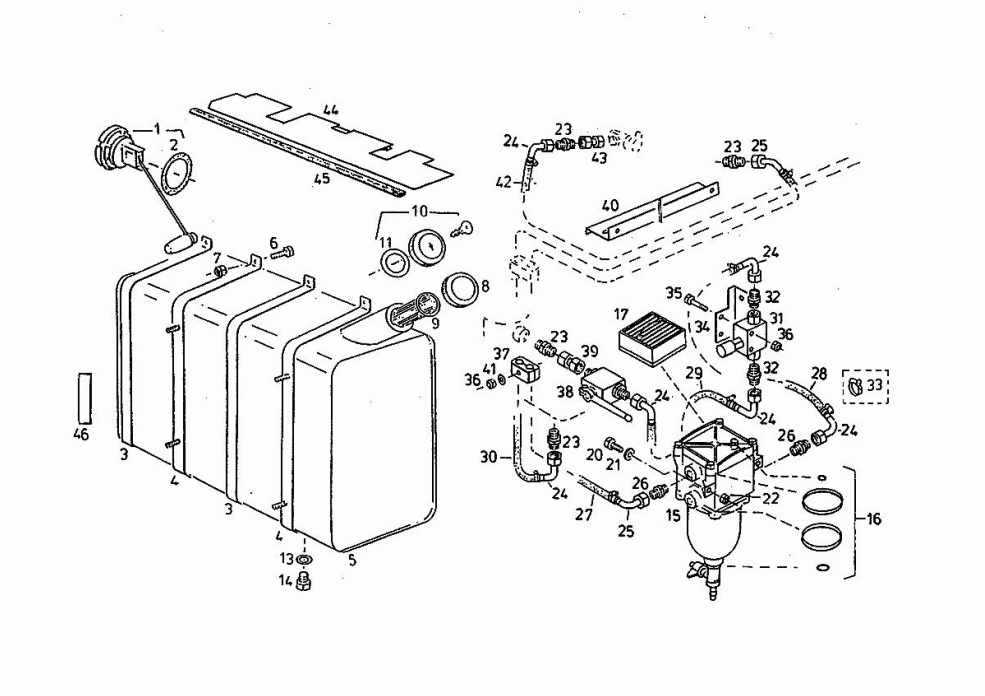
1	01181250	1	dynamo
2	01122477	1	nut m 8 p.1.25
3	01111183	1	screw
4	06209433	4	screw m 10 x 40
5	01181416	2	screw
6	04209685	1	console
7	04204573	1	link
8	02404201	1	washer
9	01162876	1	fan
10	01177344	1	pulley
11	01103952	1	spring disc
12	01151190	1	nut m16x1,5 d439
13	01180709	1	belt
14	16056954	1	guard
15	16062441	1	square



Section: ENGINE  
FUEL TANK BF 6M 1013 FC

Fig.	P/n	QTY	Name
------	-----	-----	------

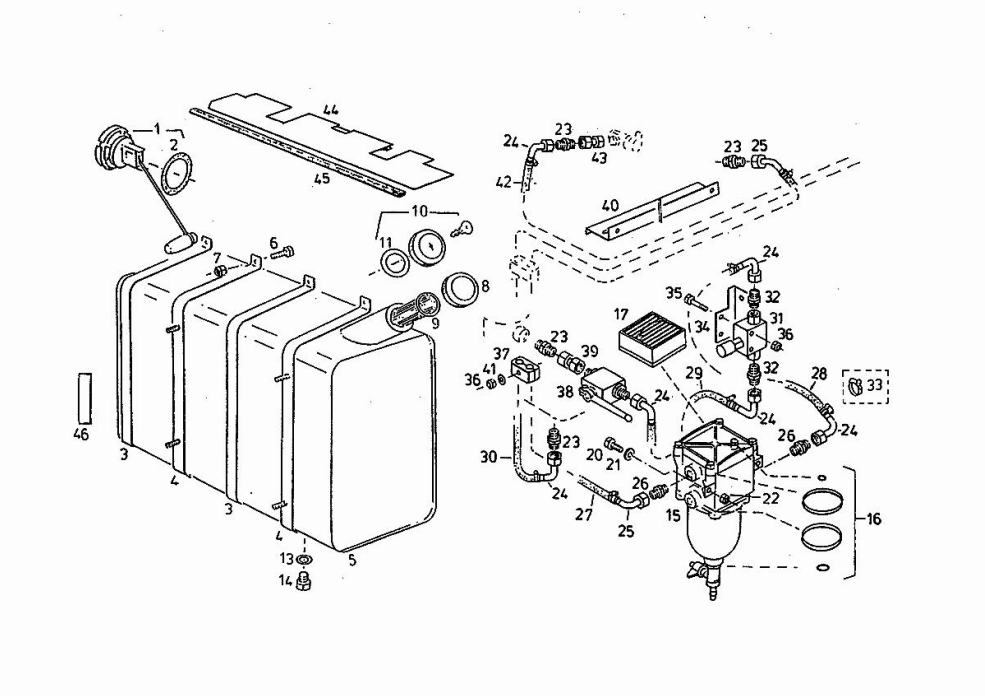
Notes:  
 FUEL COOLER SEE DIAGRAM I02 ----- [5650H -> 6128-12687 (01/01/2007)]



1	16028967	1	temperature gauge
2	04389616	1	oil seal
3	16006397	1	metal strip
4	16006406	1	metal strip
5	16055292	1	fuel tank 555 lt. ☞ 16055292
6	01112547	6	screw m 12 x 40, d933
7	06209769	6	nut m 12, d985
8	01244823	1	plug
9	06255970	1	small mesh
10	01216272	1	cover W
11	01211299	1	oil seal X 8,10
13	01118700	1	oil seal Ø 16 x 20
14	01118964	2	plug m 16 p.1.5
15	04254437	1	fuel filter element
16	01319823	1	gasket set
17	01319822	1	insert
20	01112322	2	screw m 8 p.1.25 x 20
21	01107101	2	washer 8.4
22	01104944	2	nut m 8, d985
23	16048122	4	pipe fitting GE 15 PL
24	16056913	8	vent Ø 10 / m 22 p.1.5
25	16056910	2	pipe fitting
26	16048123	2	threaded joint ge 15/m22x1,5
27	16056924	1	flexible hose L = mm 3630 G 25,27
28	16056925	1	flexible hose L = mm 300 G 24,28
29	16056975	1	flexible hose L = mm 440 G 24,29
30	16056985	1	flexible hose L = mm 5300 G 24,30
31	02111961	1	pump
32	01177226	2	pipe fitting m 18 p.1.5 x 15
33	01137412	1	clamp
34	16058142	1	support
35	01111074	2	screw m 6
36	01114357	6	nut m 6, d985
37	06272953	2	terminal Ø 18

FUEL TANK BF 6M 1013 FC

Fig.	P/n	QTY	Name
38	16056917	1	ball valve
39	16040257	1	tube
40	16062764	1	support
41	06214189	4	washer 6.4
42	16056981	1	flexible hose L = mm 4700
43	16056918	1	reduction
44	16062317	1	hood
45	01390702	1	gasket PVC 850 MM
46	16062368	4	rubber

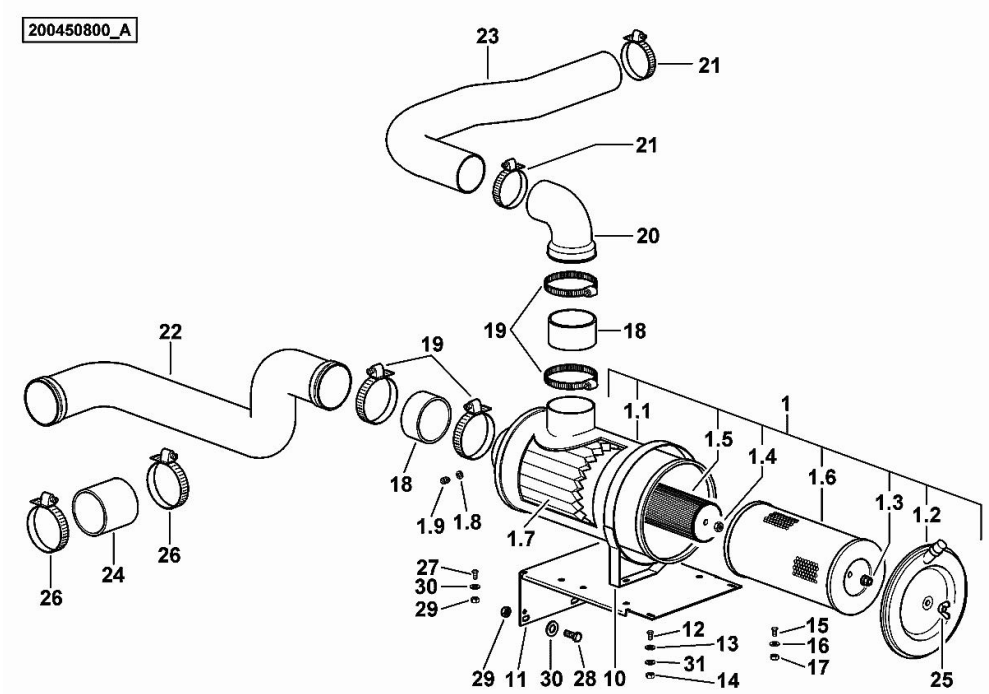


Section: ENGINE  
**AIR CLEANER BF 6M 1013**

Fig.	P/n	QTY	Name
------	-----	-----	------

Notes:  
[5650H -> 6128-12687 (01/01/2007)]

1	16049833	1	air filter ☞ 16049833
1.1	0.000.0000.1		cannot be supplied
1.2	16053197	1	cap
1.3	02241268	1	nut
1.4	01151190	1	nut m16x1,5 d439
1.5	16053198	1	filter
1.6	16053199	1	filter
1.7	16053196	1	ring
1.8	03363577	1	ring
1.9	01301726	1	tube
10	16054474	2	interlock
11	16049909	1	bracket
12	01112515	4	screw m 12 x 25
13	01107110	4	washer 13.5
14	06209769	4	nut m 12, d985
15	01112322	2	screw m 8 p.1.25 x 20
16	06214192	2	washer 8.4
17	01104944	2	nut m 8, d985
18	16054477	2	sleeve
19	16061829	4	clamp Ø 150/170
20	16054476	1	tube
21	01128276	2	clamp Ø 110/130
22	16061149	1	primer
23	16061137	1	flexible hose Ø 130 / L = mm 1945
24	16061724	1	sleeve 130x150
25	02169190	1	nut
26	01174127	2	clamp Ø 130/150
27	01103316	1	screw m 6 p.1.0 x 16
28	2.0114.009.2	1	screw m 6 x 25, d933
29	01114357	2	nut m 6, d985
30	01107095	2	washer 6.4
31	01102801	4	washer 12





Section: ENGINE

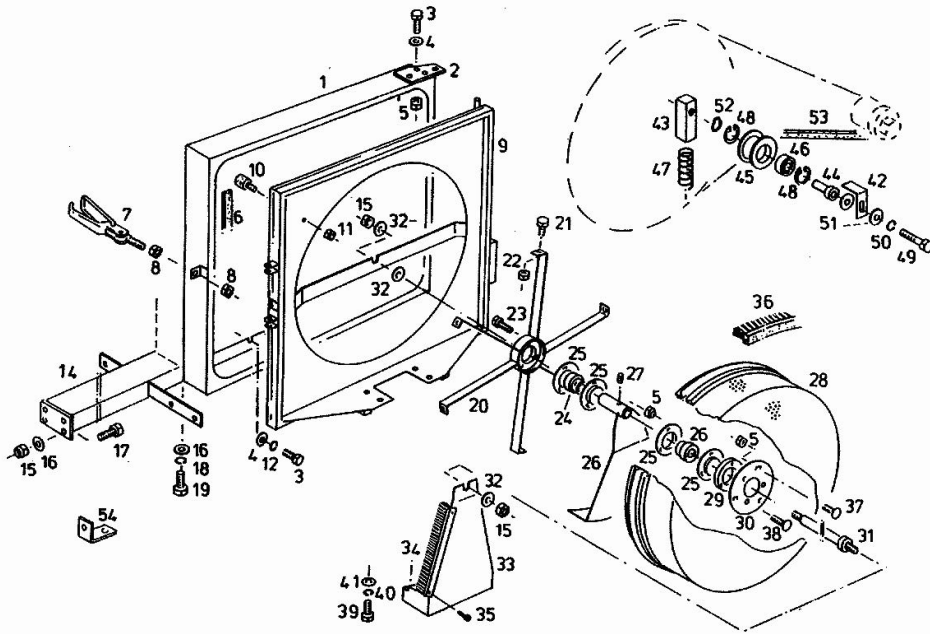
**ENGINE COOLING SYSTEM STRAINER**

Fig.	P/n	QTY	Name
------	-----	-----	------

**Notes:**

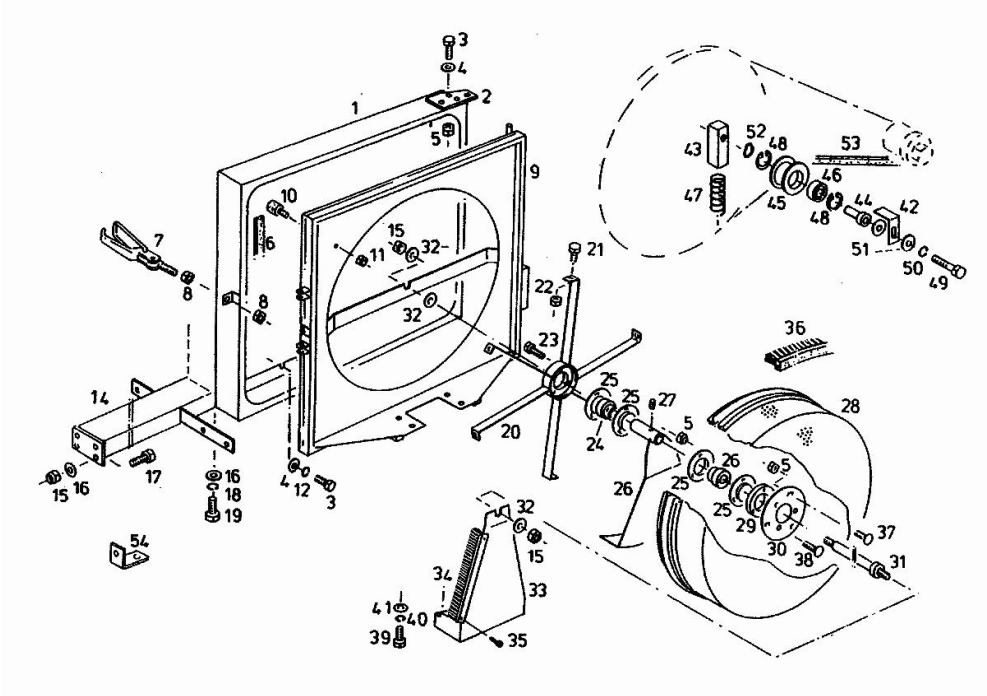
[5650H -&gt; 6128-12687 (01/01/2007)]

1	16061145	1	chassis frame
2	16049941	1	plate
3	01112330	4	screw m 8 x 25
4	01107163	4	washer 9, d126
5	01104944	4	nut m 8, d985
6	01396986	1	copper gasket 4300 mm
7	06259239	1	interlock
8	01112858	2	nut m 12, d934
9	16061102	1	chassis frame
10	06253864	1	silent-block
11	01114357	1	nut m 6, d985
12	01102799	1	washer 8, d128
14	16062309	1	carrier
15	06209769	8	nut m 12, d985
16	06205230	1	washer 13 x 24 x 2.5
17	01112538	6	screw m 12 x 35, d933
18	01102801	2	washer 12
19	01112515	2	screw m 12 x 25
20	16053693	1	wheel
21	01103316	6	screw m 6 p.1.0 x 16
22	01114357	1	nut m 6, d985
23	01112350	3	screw m 8 x 35
24	06215739	2	bearing yb 20
25	06215781	4	bearing housing rb 20
26	16055226	1	plate
27	01139633	1	grub screw m 6 x 6
28	16055288/10	1	filtering basket kpl.
29	16035507	1	ring 7x12x1800
30	16035511	1	disc
31	16035478	1	shaft m 12
32	01133726	1	washer 13
33	16049857	1	plate
34	16054422	1	brush
35	01143163	2	screw 4,2x9,5 d7981
36	16055286	1	brush L = mm 3650
36.1	16055287	1	brush L = mm 470
37	01138993	3	screw m 8 x 16
38	01138837	3	screw m 8 x 35
39	01112407	4	screw m 10 x 20, d933
40	01102800	4	washer 10.2
41	01107165	4	washer 10.5



**ENGINE COOLING SYSTEM STRAINER**

Fig.	P/n	QTY	Name
42	16050785	1	angular
43	16050786	1	small block
44	16055271	1	bush
45	16050788	1	tensioner
46	01128197	1	bearing 2 RS
47	06215299	1	spring
48	01107827	2	circlip 40 x 1.75
49	01136993	1	screw m 12 x 70
50	01102801	1	washer 12
51	06214364	2	disc 13.2
52	01107726	1	circlip 17
53	01145970	1	belt 1/10 x 4060Li
54	16056417	1	square



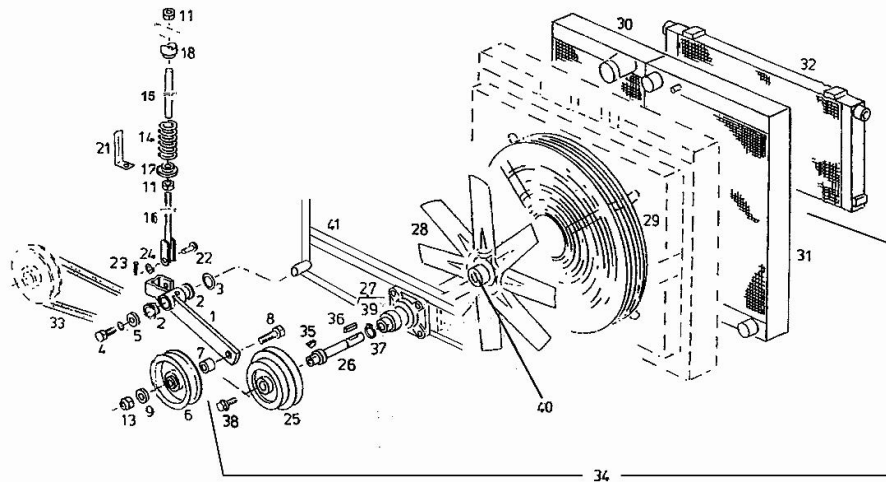
Section: ENGINE

**ENGINE COOLING SYSTEM COMBIN. COOLER**

Fig.	P/n	QTY	Name
------	-----	-----	------

**Notes:**

[5650H -&gt; 6128-12687 (01/01/2007)]



1	16054425	1	lever
2	06260680	2	bush 30 x 45 x 20
3	06214234	2	disc 31 x 45 x 2
4	01112515	1	screw m 12 x 25
5	16012311	1	washer 13
6	06253492	1	tensioner 25,4 / 159
7	16054427	1	bush
8	01122463	1	screw m 16 x 65, d933
9	01107117	1	washer 17
11	01112858	2	nut m 12, d934
13	01136464	1	nut m 16
14	06215418	1	spring
15	06260686	1	tube
16	06501950	1	stay m 12
17	06515117	1	disc
18	06519261	1	disc
21	16046800	1	plate
22	06210009	1	small pin 10 x 28 x 24
23	01132625	1	split pin 3.2 x 20
24	01107165	1	washer 10.5
25	16061736	1	pulley
26	16055802	1	shaft
27	16048782	2	bearing 25
28	16055801	1	rotor
29	16055803	1	guard
30	16061741	1	intercooler
31	16061027	1	water cooler
32	16055806	1	radiator
33	01146013	1	belt 1/17 x 2435Li
34	16061018	1	radiator
35	16055807	1	heelpiece
36	06212426	1	stop 8x7x45 d6885
37	01107737	1	ring 25 x 1,2 d471
38	01143382	1	screw
39	01146031	2	special bearing
40	16058823	1	hub
41	16062107	1	chassis frame

Thank you so much for reading.  
Please click the “Buy Now!”  
button below to download the  
complete manual.



After you pay.

You can download the most  
perfect and complete manual in  
the world immediately.

Our support email:

[ebooklibonline@outlook.com](mailto:ebooklibonline@outlook.com)