

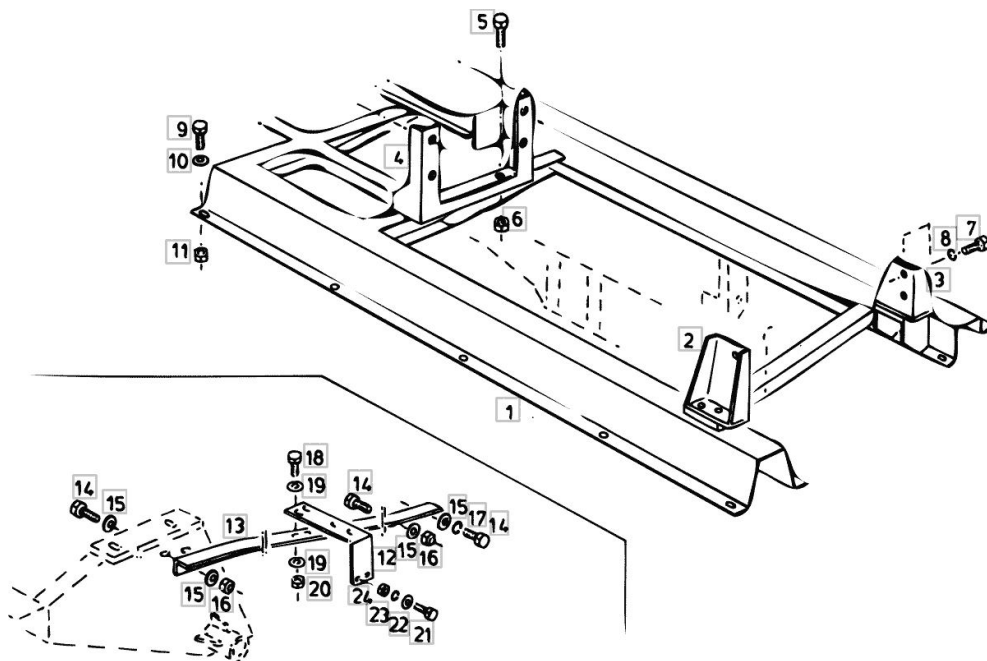
Section: ENGINE

ENGINE ASSEMBLY PARTS BF 6M 1013

Fig.	P/n	QTY	Name
------	-----	-----	------

Notes:

MOTOR BF 6M 1013 FC 206 KW / 280 PS TYP 5680 MOTOR BF 6M 1013 FC 235 KW / 320 PS TYP 5690 [5690]



1	16054404	1	chassis frame
2	16049855	1	support
3	16049856	1	support
4	16049858	1	support
5	01112663	2	screw m 16 x 25
6	01127856	2	nut m 16, d985
7	01112547	8	screw m 12 x 40, d933
8	01102801	8	washer 12
9	01112538	4	screw m 12 x 35, d933
10	06214206	4	washer 13.2
11	06209769	4	nut m 12, d985
12	16003374	1	square
13	16003305	1	square
14	01112439	1	screw m 10 x 35, d933
15	01107165		washer 10.5
16	06209768	3	nut m 10, d985
17	01102800	1	washer 10.2
18	01112538	2	screw m 12 x 35, d933
19	01107163	4	washer 9, d126
20	01104944	2	nut m 8, d985
21	01112264	4	screw m 6 x 20, d933
22	06214189	4	washer 6.4
23	01102797	4	washer 6, d128
24	01112813	4	nut m 6

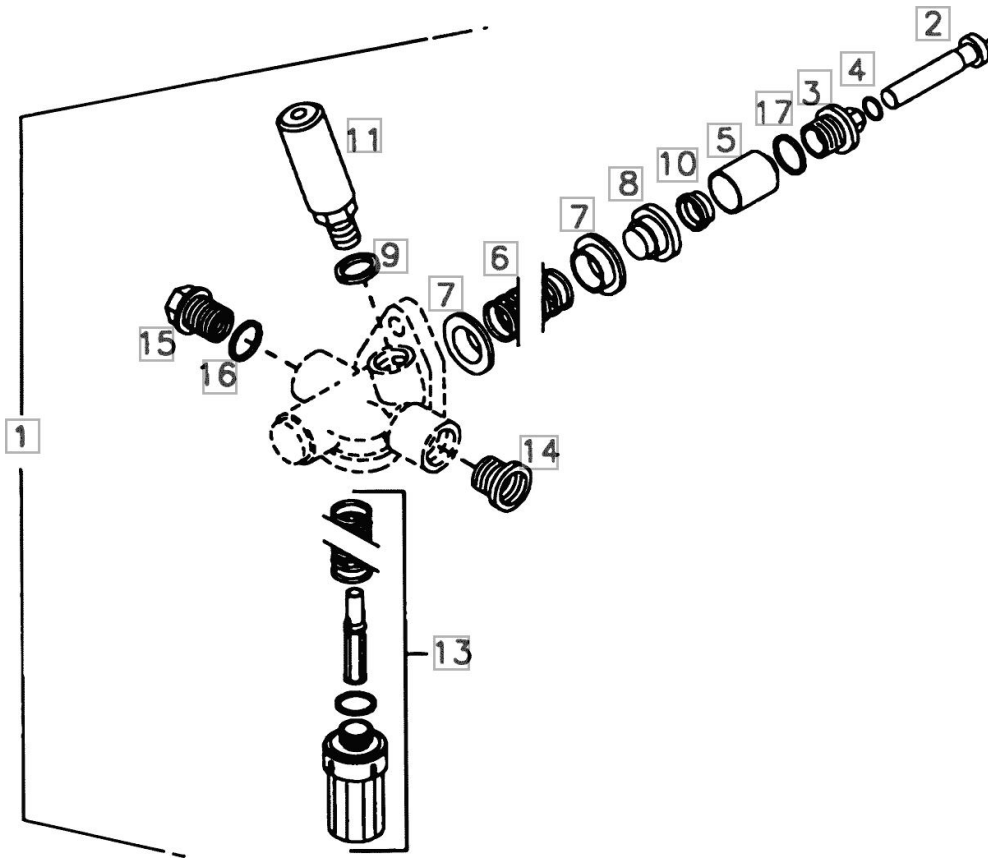
Section: ENGINE

ENGINE FUEL PUMP BF 6L 913

Fig.	P/n	QTY	Name
------	-----	-----	------

Notes:
[5690]

1	04233336	1	feed pump
2	01319126	1	cap-washer
3	01319127	1	cap
4	01319860	1	ring
5	01320849	1	seat springs
6	01320853	1	spring
7	01320847	1	cup
8	12037534	1	valve
9	01287773	1	oil seal
10	01320846	1	ring
11	04233829	1	pump
13	01321553	1	filter
14	01321544	1	bush
15	01319129	1	vent
16	01319130	1	oil seal
17	01319775	1	ring



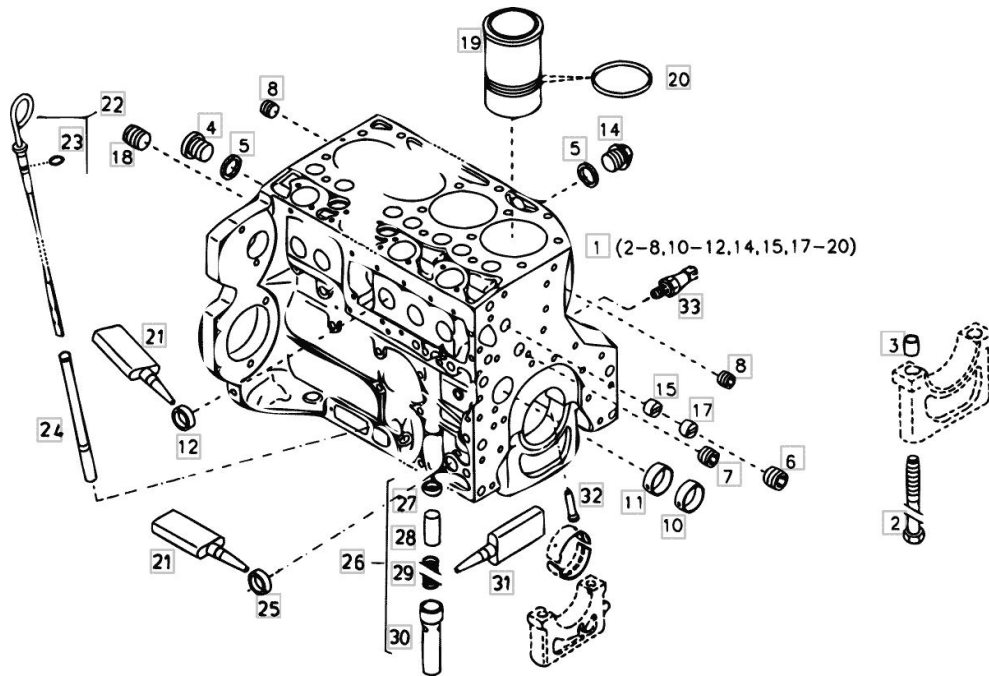
Section: ENGINE

ENGINE CRANKCASE BF 6M 1013

Fig.	P/n	QTY	Name
------	-----	-----	------

Notes:

[5690]

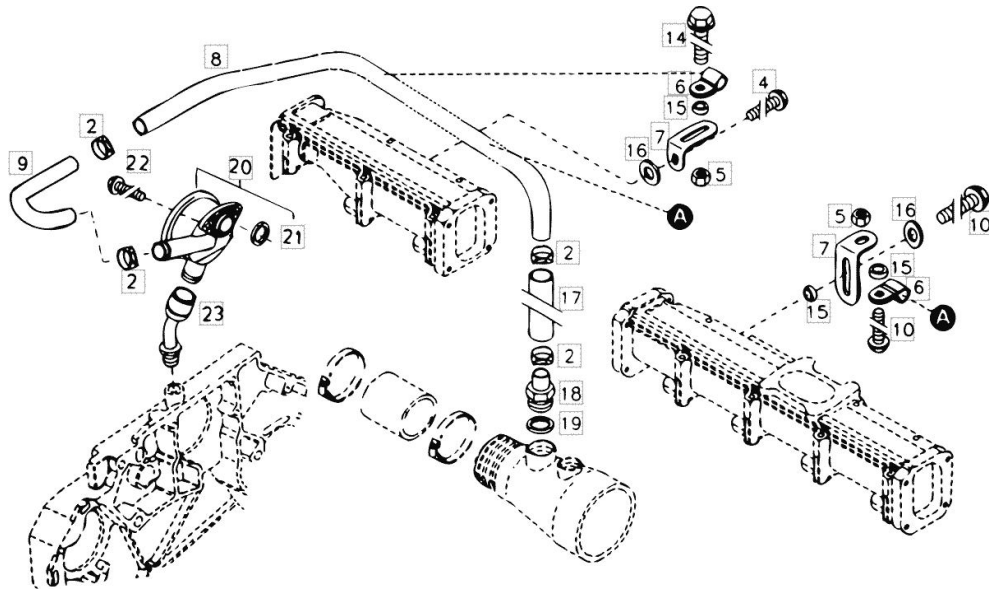


1	04209415	1	crankcase
2	04251254	14	screw
3	04200078	14	bushing
4	01110423	2	screw
5	01118693	4	gasket 14x20
6	01180890	1	screw
7	01180906	1	screw
8	01180891	1	screw
10	04200021	6	bushing
11	04200022	1	bushing
12	01148032	10	cover
14	01118960	2	plug am14x1,5
15	04202518	1	sleeve
17	04202517	1	sleeve
18	01181155	1	plug
19	04253771	6	cooling jacket
20	01181178	12	special oil seal
21	01016127	1	sealing compound ml. 50
22	01181382	1	stick
23	01174311	1	oil seal
24	04204590	1	guide
25	01148031	1	plug
26	04207119	1	valve
27	04201794	1	ring
28	04207120	1	piston
29	04200782	1	spring
30	04207121	1	spacer
31	01016112		adhesive H 699 - DEUTZ DW 59
32	04207521	1	sprayers
33	04190806	1	push-button

ENGINE BREATHER BF 6M 1013

Fig.	P/n	QTY	Name
------	-----	-----	------

Notes:
[5690]



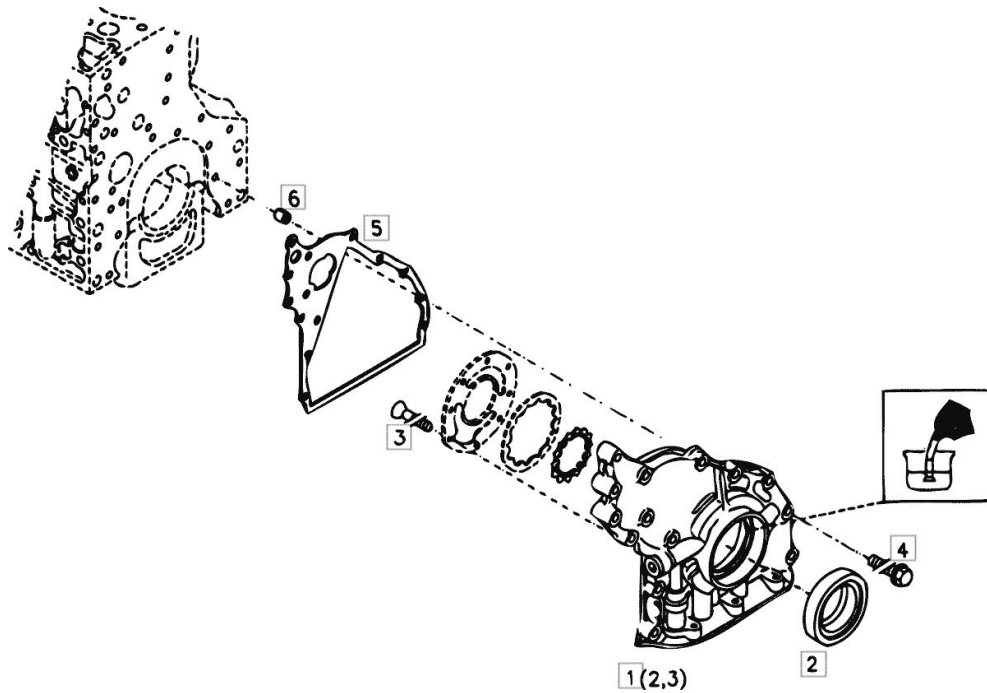
2	01178750	4	clamp
4	01181433	1	screw
5	01112824	2	nut m 8, d934
6	01178181	2	fascia
7	04204250	2	bracket
8	04256792	1	tube
9	04198572	1	tube
10	01181432	2	screw m8x30
14	01180204	1	stop
15	03363990	3	bushing
16	02404201	3	washer
17	01175628	1	rubber sleeve
18	04204768	1	connection
19	01118784	1	oil seal 30x36x2 d7603
20	04255055	1	valve
21	04207649	1	ring
22	01180218	2	screw
23	04207290	1	pipng

ENGINE FRONT COVER BF 6M 1013

Fig.	P/n	QTY	Name
------	-----	-----	------

Notes:
[5690]

1.1	04253470	1	cover TYP 5690
2	04253373	1	oil seal
3	01133718	8	screw
4	01180204	14	stop
5	04256695	1	gasket
6	01181406	1	bushing



Section: ENGINE

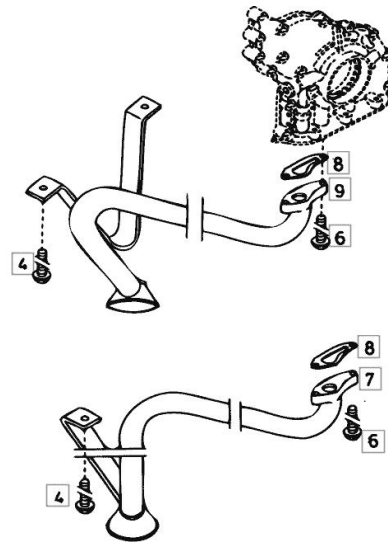
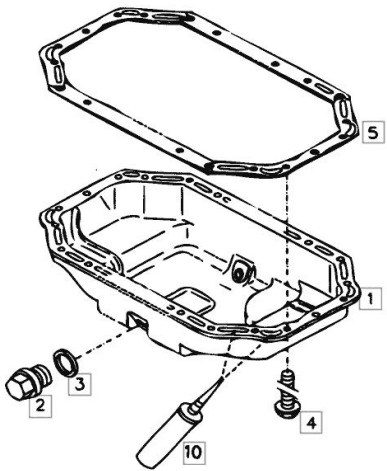
ENGINE OIL PAN BF 6M 1013

Fig.	P/n	QTY	Name
------	-----	-----	------

Notes:

[5690]

1	04256245	1	oil sump
2	01133631	2	plug
3	01118718	2	ring 18 x 24
4	01181436	36	screw
5	04204459	1	gasket
6	01181416	2	screw
7	04206945	1	tube
			-Y 0 574 656
8	04198741	1	gasket
9	04256591	1	primer
			+Y 0 574 657
10	01016103		gasket



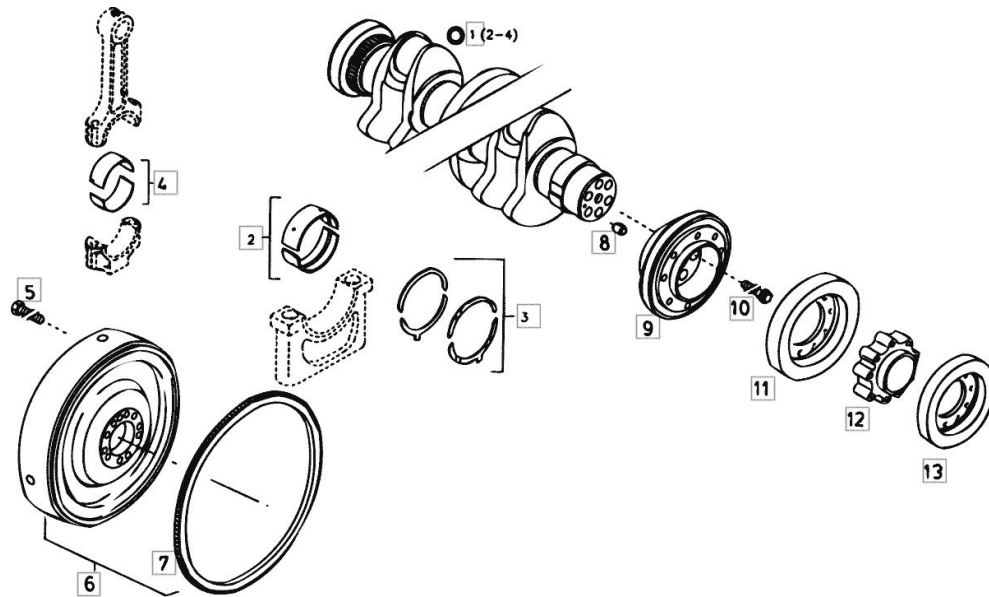
Section: ENGINE

ENGINE CRANKSHAFT BF 6M 1013

Fig.	P/n	QTY	Name
------	-----	-----	------

Notes:

[5690]



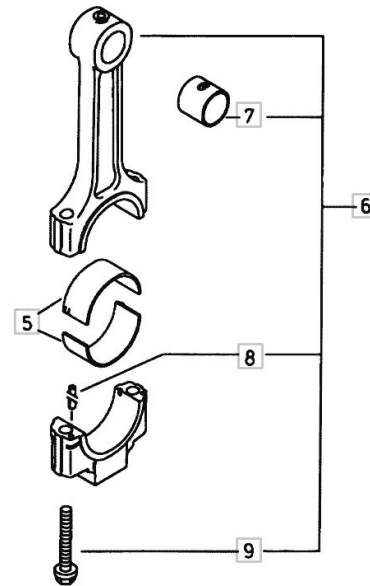
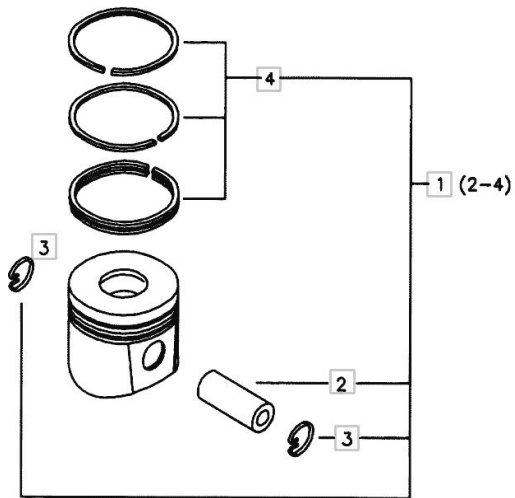
1	02929960	1	crankshaft
2	02929430	7	main bearing STANDARD 85,00 MM
2.1	02929431		main bearing - mm 0.25 84,75 MM
2.2	02929432		main bearing - mm 0.50 84,50 MM
3	02929438	1	shoulder ring STANDARD 2,9 MM
3.1	02929439		shoulder ring 3,1 MM
4	02931297	6	bearing 68,00 MM
4.1	02931298		bearing 67,75 MM
4.2	02931299		bearing 67,50 MM
5	04204130	10	screw M 10 p 1x50
6	04204326	1	flywheel
7	02131081	1	crown wheel
8	01181404	1	bush
9	04209687	1	pulley
10	04253406	1	screw
11	04209098	1	shock absorber
12	04208249	1	tube
13	04197566	1	pulley

Section: ENGINE

ENGINE PISTON BF 6M 1013

Fig.	P/n	QTY	Name
------	-----	-----	------

Notes:
[5690]



1	04253386	6	complete piston STANDARD
2	04200139	6	piston pin
3	01107830	12	circlip
4	04253389	6	piston ring set
5	02931297	6	bearing
			68,00 MM
5.1	02931298		bearing
			67,75 MM
5.2	02931299		bearing
			67,50 MM
6	04251587	6	engine connecting rod
7	04200024	6	bushing
8	01133876	6	pin
9	04200468	12	screw

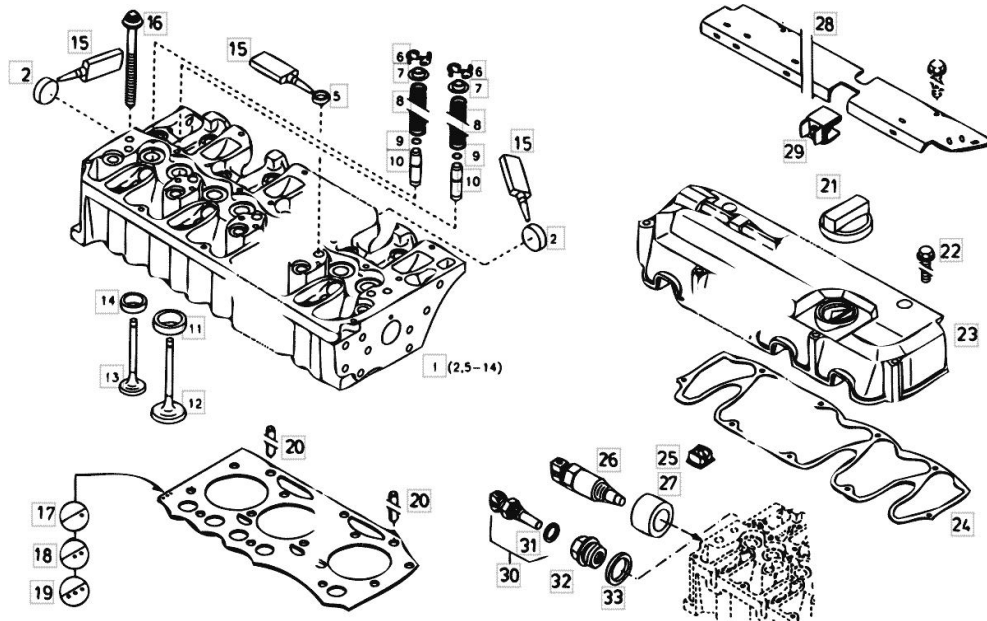
Section: ENGINE

ENGINE CYLINDER HEAD BF 6M 1013

Fig.	P/n	QTY	Name
------	-----	-----	------

Notes:

[5690]



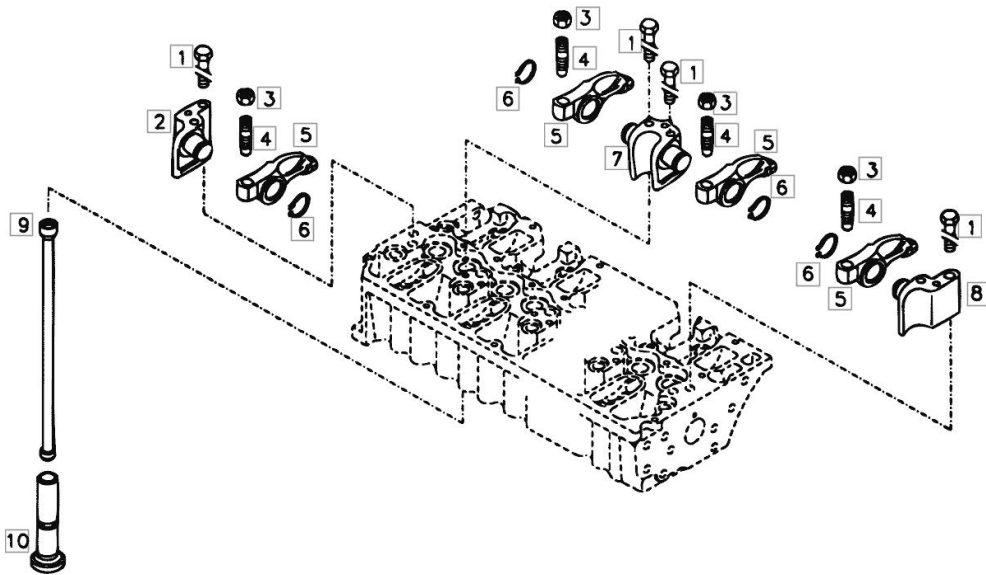
1	04255293	1	engine head
2	01148031	5	plug
5	01165828	5	stop
6	12164698	24	conical valve cotter
7	04200114	12	cap-washer
8	04200150	12	spring
9	01153857	12	ring
10	04201238	12	valve guide
11	04200170	6	valve seat
12	04255883	6	inlet valve
13	04209111	6	exhaust valve
14	04200171	6	valve seat
15	01016125		guard
16	04202005	26	shim
17	04201559		gasket 1,54 MM
18	04201560		gasket 1,64 MM
19	04201561		gasket 1,74 MM
20	01181403	2	screw
21	01179630	1	plug
22	01179293	13	screw
23	04206924	1	cover
24	04205894	1	gasket
25	04206948	1	tube
26	04199207	1	temperature gauge
27	04199378	1	tube
28	04199252	1	plate
29	04199234	2	lead terminal
30	04199809	1	temperature gauge
31	01118688	1	ring 14x17
32	04199761	1	plug
33	01118760	1	gasket 26x31

ENGINE TIMING GEARS BF 6M 1013

Fig.	P/n	QTY	Name
------	-----	-----	------

Notes:
[5690]

1	01111184		screw m 8 x 75, d931
2	04200961	1	support
3	02109637	12	nut
4	03365861	12	register
5	04204023	12	tappets
6	01107731	12	circlip
7	04200960	5	pin
8	04200959	1	support
9	04206378	12	rod
10	04251063	12	tappets

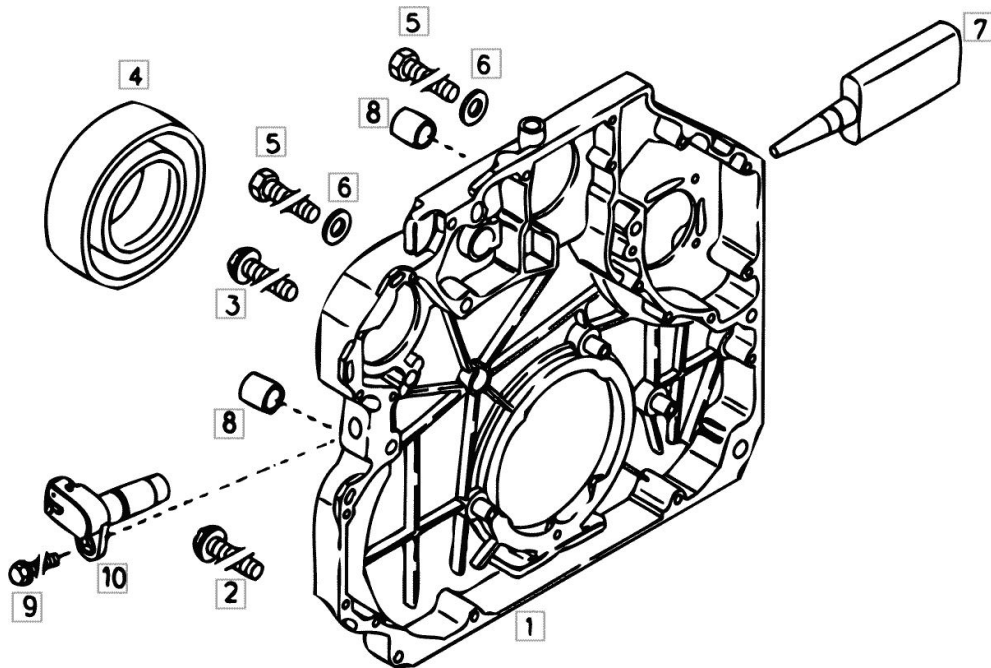


ENGINE GEARCASE BF 6M 1013

Fig.	P/n	QTY	Name
------	-----	-----	------

Notes:
[5690]

1	04205852	1	set of gears
2	01180204	12	stop
3	01181438	4	screw
4	04253333	1	oil seal
5	01148131	2	screw
6	01144505	2	washer
7	01016024		gasket
8	04255311	2	bush
9	01181439	1	screw
10	04199792	1	pick-up



Thank you so much for reading.
Please click the “Buy Now!”
button below to download the
complete manual.



After you pay.

You can download the most
perfect and complete manual in
the world immediately.

Our support email:

ebooklibonline@outlook.com