

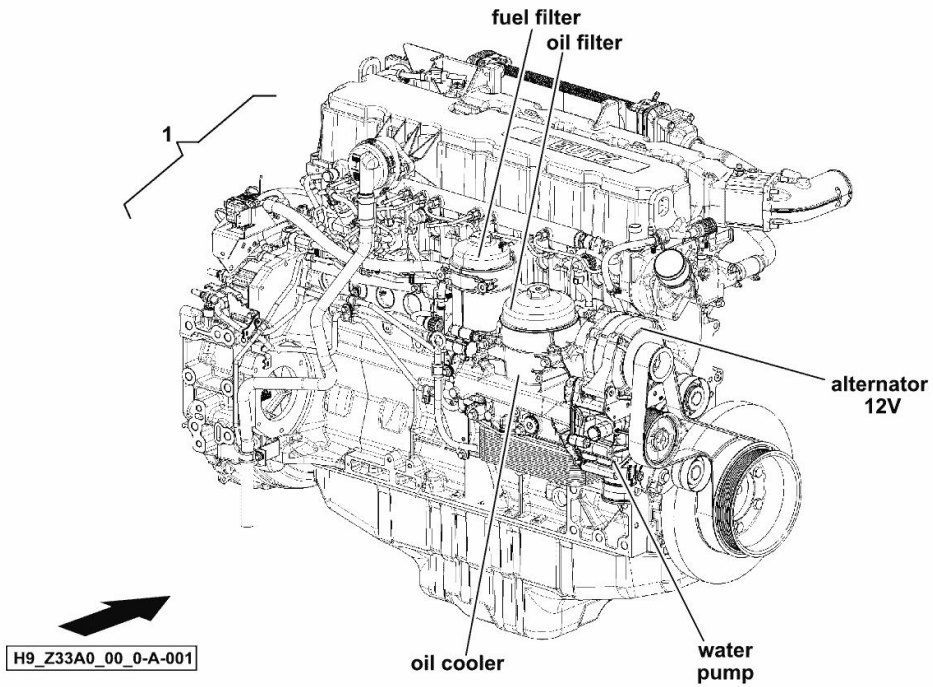
**DEUTZ ENGINE 259 kW / 366 HP**

Fig.	P/n	QTY	Name
------	-----	-----	------

**Notes:**

TCD 2013 L06-4V [5695 HTS COM 3 ->13500]

1	25007610	1	engine TCD 2013 L06-4V ON ORDERING PLEASE ENGINE NO. REQUIRED
---	----------	---	---



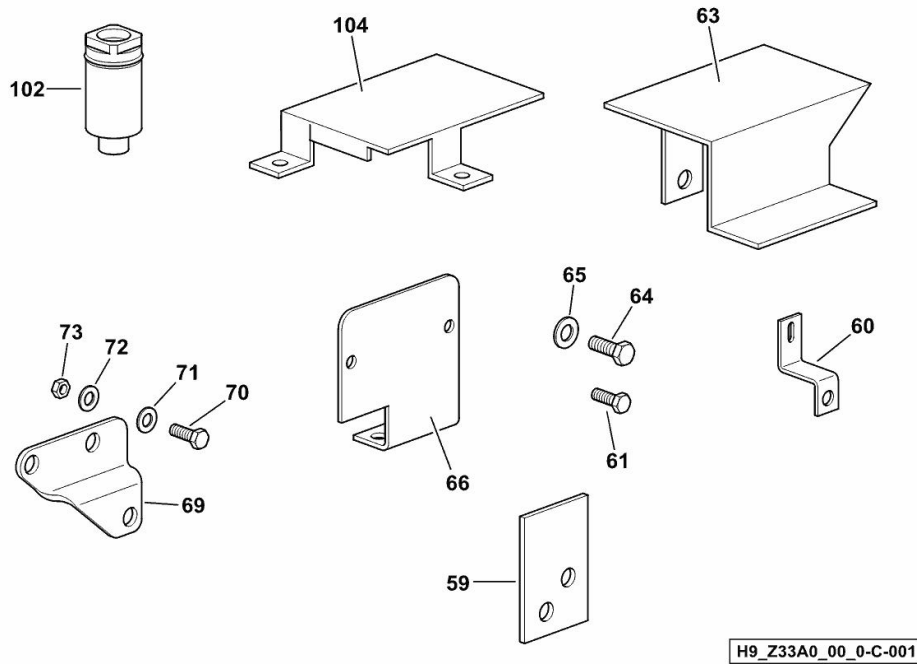
**ACCESSORIES**

Fig.	P/n	QTY	Name
------	-----	-----	------

**Notes:**

TCD 2013 L06-4V [5695 HTS COM 3 ->13500]

59	16061552	4	plate
60	16062441	1	square
61	01112264	1	screw m 6 x 20, d933
63	16062706	1	guard
64	01112299	1	screw m 8 x 12, d933
65	01102799	1	washer 8, d128
66	16062978	1	guard
69	0.017.5544.0	1	bracket
70	2.0114.207.2	2	screw m 8 p.1.25 x 20
71	2.1474.009.2	1	spring washer 8
72	2.1310.004.2	2	flat washer 8.4x17
73	2.1120.005.2	1	nut m 8 p.1.25
102	16064238	1	vent
104	16064187	1	small guard



H9\_Z33A0\_00\_0-C-001

**SERIE GUARNIZIONI**

Fig.	P/n	QTY	Name
------	-----	-----	------

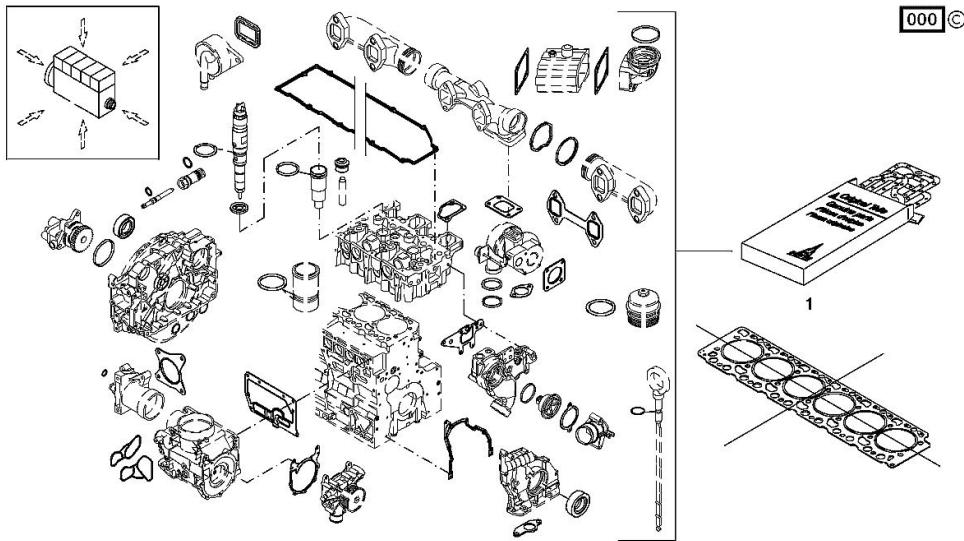
**Notes:**

[5695 HTS COM 3 ->13500]

**Engine serial number:**

10348812 10351612 10351613 10351614 10359622 10359623 10359624 10359625 10359626 10510986 10577369  
 10577370 10577371 10577372 10577373 10577374 10577375 10577376 10577377 10577378 10601271 10601273  
 10601275 10601276 10601277 10601278 10601279 10601280 10615139 10615142 10615144 10615146 10615148  
 10620416 10620418 10620422 10620423 10620424 10620426 10620428 10620429 10630616 10630617 10630618

1	02937644	1	gasket set THE KIT DOES NOT CONTAIN ALL THE GASKETS: SEE SM 0199-99-9449
---	----------	---	--



**FASTENINGS**

Fig.	P/n	QTY	Name
------	-----	-----	------

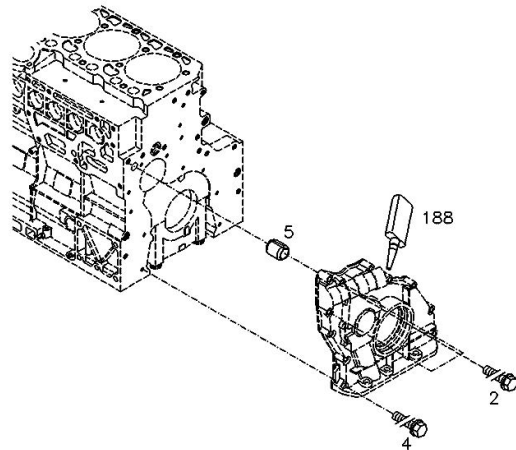
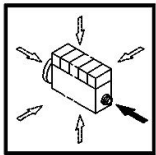
**Notes:**

[5695 HTS COM 3 ->13500]

**Engine serial number:**

10348812 10351612 10351613 10351614 10359622 10359623 10359624 10359625 10359626 10510986 10577369  
 10577370 10577371 10577372 10577373 10577374 10577375 10577376 10577377 10577378 10601271 10601273  
 10601275 10601276 10601277 10601278 10601279 10601280 10615139 10615142 10615144 10615146 10615148  
 10620416 10620418 10620422 10620423 10620424 10620426 10620428 10620429 10630616 10630617 10630618

2	01180114	3	screw EN 1662 -F-M8X70-10.9-GESCHW
4	01143362	8	screw EN 1662 -F-M8X35-10.9-A4C
5	01181406	1	bushing H 2341 -B11X8-FE/ZN12C*
6	04294952	1	gasket
188	01016122	1	gasket H 0699 -DEUTZDW67-250ML



**SERIE GUARNIZIONI**

Fig.	P/n	QTY	Name
------	-----	-----	------

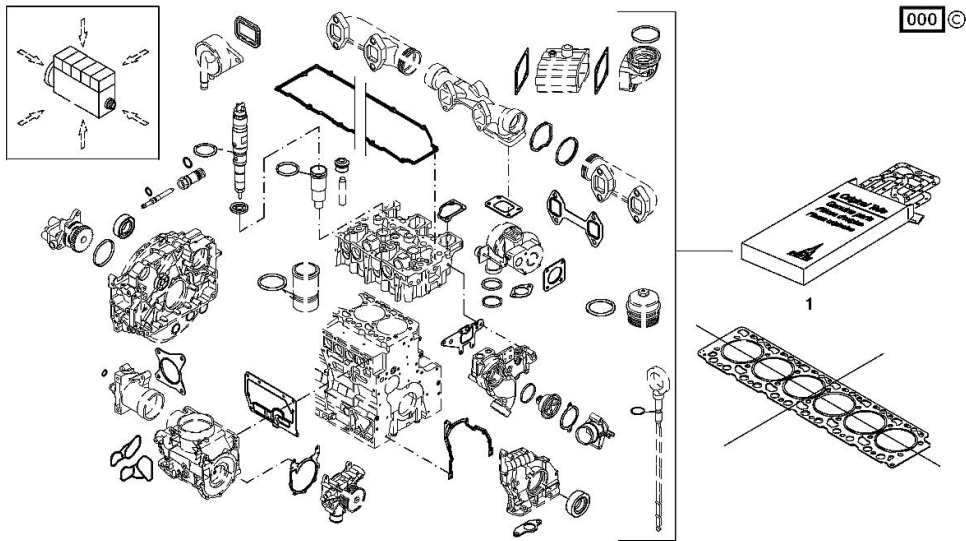
**Notes:**

[5695 HTS COM 3 ->13500]

**Engine serial number:**

10351612 10351613 10351614 10359622 10359623 10359624 10359625 10359626 10510986 10577369 10577370  
 10577371 10577372 10577373 10577374 10577375 10577376 10577377 10577378 10601271 10601273 10601275  
 10601276 10601277 10601278 10601279 10601280 10615139 10615142 10615144 10615146 10615148

1	02937481	1	gasket set THE KIT DOES NOT CONTAIN ALL THE GASKETS: SEE SM 0199-99-9449
---	----------	---	--



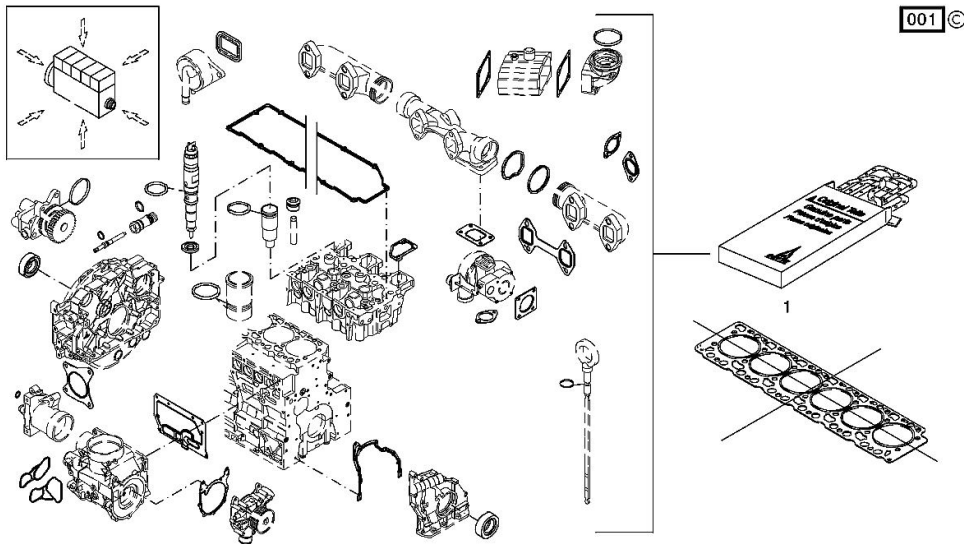
Section: B0 - ENGINE  
**SERIE GUARNIZIONI**

Fig.	P/n	QTY	Name
------	-----	-----	------

**Notes:**

[5695 HTS COM 3 -&gt;13500]

1	02931818	1	gasket set THE KIT DOES NOT CONTAIN ALL THE GASKETS: SEE SM 0199-99-9449
---	----------	---	--



Section: B0 - ENGINE

**BLEEDING TUBE**

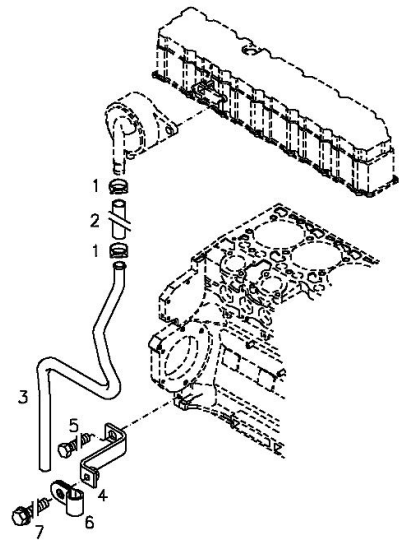
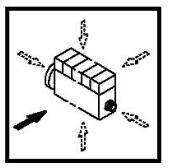
Fig.	P/n	QTY	Name
------	-----	-----	------

**Notes:**  
[5695 HTS COM 3 ->13500]

**Engine serial number:**  
10348812 10351612 10351613 10351614 10359622 10359623 10359624 10359625 10359626 10510986

1	01178750	2	clamp DIN 3021 -A-29X15
2	01178053	1	rubber tube H 3407 -22X29X65
3	04903157	1	tube
4	04903847	1	support
5	01127056	1	screw DIN 933 -M12X20-10.9-A4C
6	01176230	1	fascia H 3223 -C22X15-ST/MVQ-1-70
7	01181439	1	screw EN 1662 -F-M6X16-10.9-ZNAL-A

000 ©



**BLEEDING TUBE**

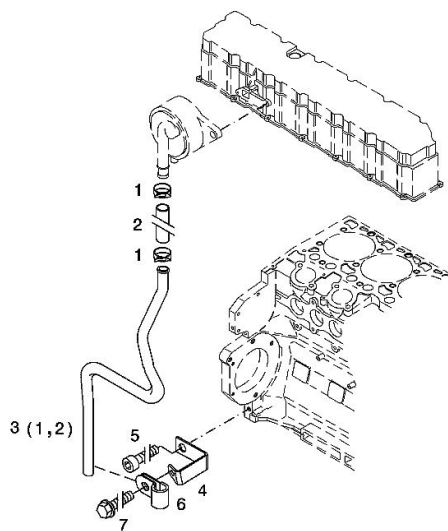
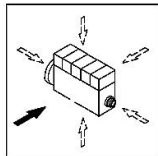
Fig.	P/n	QTY	Name
------	-----	-----	------

**Notes:**

[5695 HTS COM 3 ->13500]

**Engine serial number:**

10577369 10577370 10577371 10577372 10577373 10577374 10577375 10577376 10577377 10577378 10601271  
 10601273 10601275 10601276 10601277 10601278 10601279 10601280 10615139 10615142 10615144 10615146  
 10615148 10620416 10620418 10620422 10620423 10620424 10620426 10620428 10620429 10630616 10630617  
 10630618



1	01178750	2	clamp DIN 3021 -A-29X15
2	01183057	1	rubber sleeve H 3407 -F22X30X65EAM*
3	04905322	1	tube WITH POS.... 1,2
4	04906422	1	bracket
5	01110746	1	screw m 12 x 20 ISO 4762 -M12X20-8.8-A4C
6	01176230	1	fascia H 3223 -C22X15-ST/MVQ-1-70
7	01181439	1	screw EN 1662 -F-M6X16-10.9-ZNAL-A



Section: B0 - ENGINE  
**CRANKCASE BREATHER**

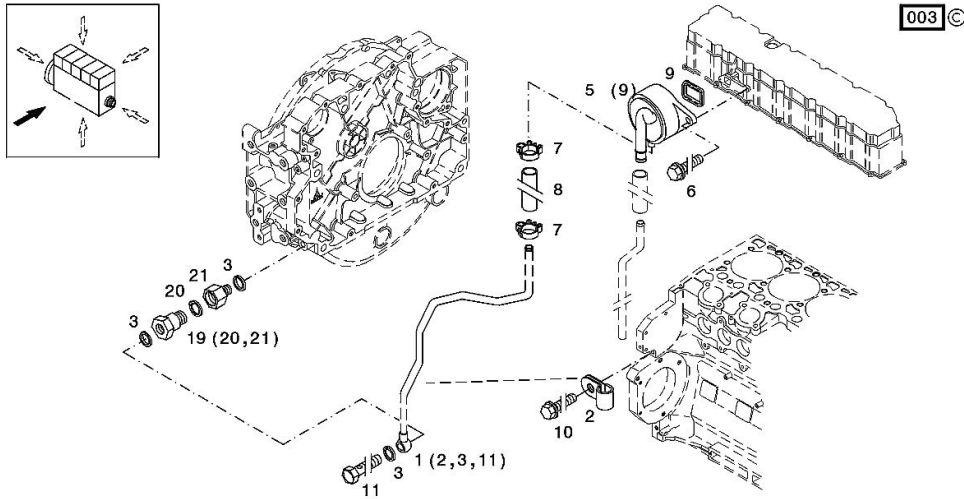
Fig.	P/n	QTY	Name
------	-----	-----	------

**Notes:**

[5695 HTS COM 3 -&gt;13500]

**Engine serial number:**

10348812 10351612 10351613 10351614 10359622 10359623 10359624 10359625 10359626



1	04905228	1	tube WITH POS.... (2,3,11)
2	01175559	3	fascia H 3223 -C8X15-ST/MVQ-1-70
3	01118673	3	oil seal DIN 7603 -A12X15,5-CU
5	04905110	1	breather WITH POS.... 9
6	01181432	2	screw m8x30 EN 1662 -F-M8X30-10.9-ZNAL-A
7	01180071	2	fascia H 3461 -F-14,0/8
8	01174783	1	rubber tube H 3430 -A8X14X70
9	04298547	1	rubber plug
10	01181442	1	screw m6x12 EN 1662 -F-M6X12-10.9-ZNAL-A
11	01119241	1	pipe union m 12 p.1.5 DIN 7643 -8
19	04905469	1	pipe fitting WITH POS.... (20,21)
20	01118737	1	oil seal 22 x 27 DIN 7603 -A22X27-CU
21	04904834	1	adapter

**CRANKCASE BREATHER**

Fig.	P/n	QTY	Name
------	-----	-----	------

**Notes:**

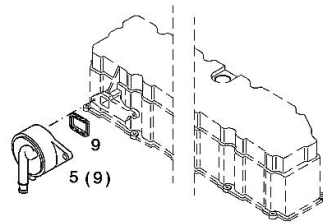
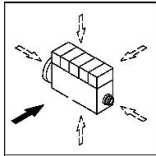
[5695 HTS COM 3 ->13500]

**Engine serial number:**

10510986 10577369 10577370 10577371 10577372 10577373 10577374 10577375 10577376 10577377 10577378  
 10601271 10601273 10601275 10601276 10601277 10601278 10601279 10601280 10615139 10615142 10615144  
 10615146 10615148 10620416 10620418 10620422 10620423 10620424 10620426 10620428 10620429 10630616  
 10630617 10630618



5	04905110	1	breather WITH POS.... 9
9	04298547	1	rubber plug



**FRONT COVER**

Fig.	P/n	QTY	Name
------	-----	-----	------

**Notes:**

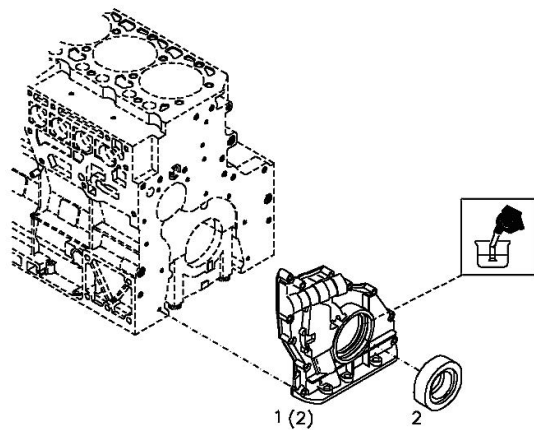
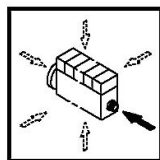
[5695 HTS COM 3 ->13500]

**Engine serial number:**

10348812 10351612 10351613 10351614 10359622 10359623 10359624 10359625 10359626 10510986

1	04904956	1	flange WITH POS.... (2)
2	04253373	1	oil seal

000 ©



Thank you so much for reading.  
Please click the “Buy Now!”  
button below to download the  
complete manual.



After you pay.

You can download the most  
perfect and complete manual in  
the world immediately.

Our support email:

[ebooklibonline@outlook.com](mailto:ebooklibonline@outlook.com)