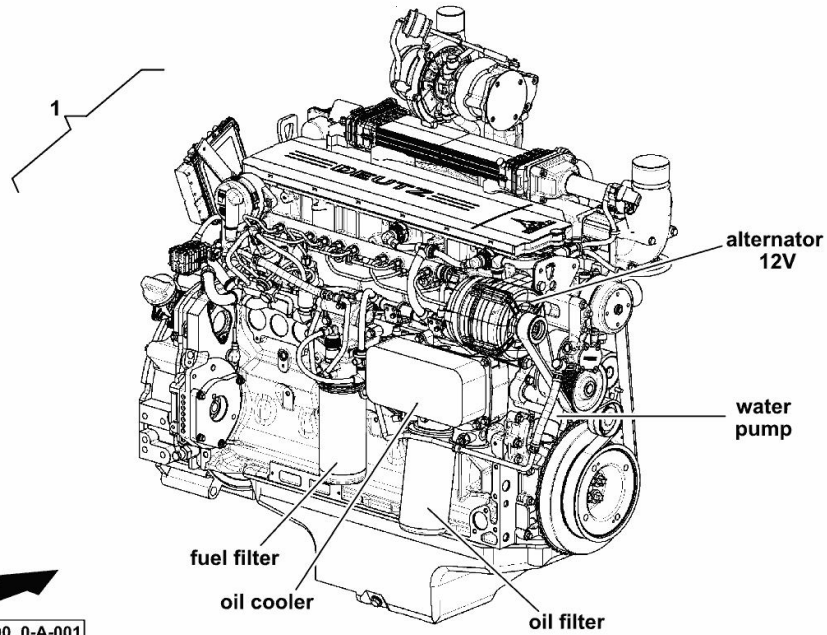


**DEUTZ ENGINE TCD 2012 L06-4V**

Fig.	P/n	QTY	Name
------	-----	-----	------

Notes:  
[6040]

1	25008180	1	engine TCD 2012 L06-4V ON ORDERING PLEASE ENGINE NO. REQUIRED
---	----------	---	---------------------------------------------------------------------



H9\_Z54A0\_00\_0-A-001

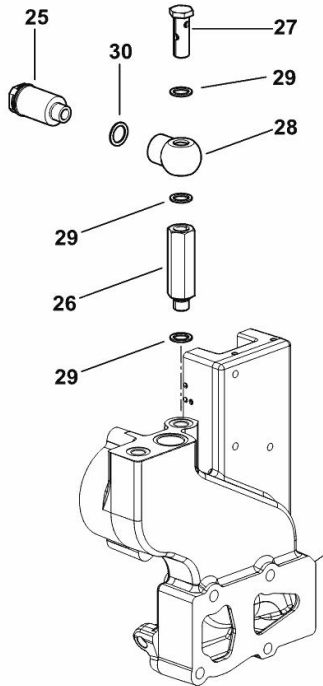
**PARTS SET - ENGINE MOUNTING**

Fig.	P/n	QTY	Name
------	-----	-----	------

**Notes:**

[6040] -> 15287

25	16064285	1	connection
26	2.3249.800.2	1	pipe union m14x1.5
27	2.3249.799.2	1	pipe union m14x1.5
28	2.3249.694.2	1	pipe fitting
29	2.1560.010.0	3	gasket 14.2 x 20
30	2.1560.012.0	1	gasket 16.2 x 22



H9\_Z75A0\_01\_0-D-001



**FASTENINGS**

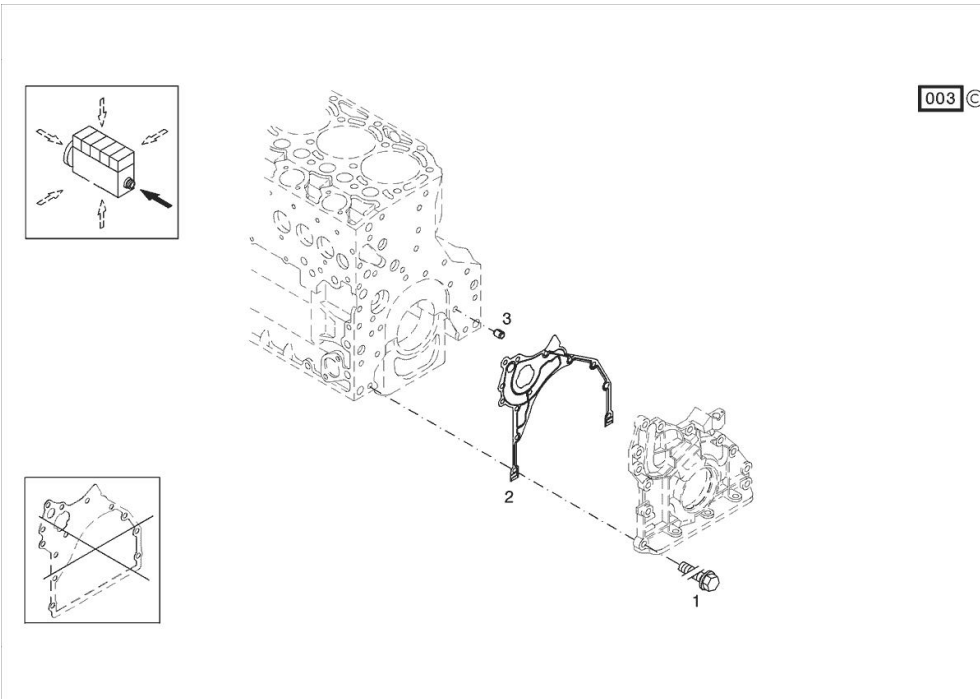
Fig.	P/n	QTY	Name
------	-----	-----	------

**Notes:**

[6040]

**Engine serial number:**

10512163 10549269 10549270 10549271 10549272 10549273 10549274 10549275 10549276 10549277 10549278  
 10582106 10582107 10582108 10582109 10582110 10582111 10582112 10582113 10582114 10582115 10609428  
 10609429 10609430 10609431 10609432 10609433 10609434 10609435 10609436 10609437 10649318 10877870  
 10877871 10889396 10889397 10889398 10900424 10900425 10900426 10900427 10900428 10900429 10900430  
 10900431 10900432 10900433 10911368 10911369 10911370 10911371 10911372 10911373 10911374 10911375  
 10911376 10911377 10956736 10956737 10980300 10980301 10980302 10980303 10980304 10980305 10980306  
 10980307 10980308 10980309 10980310 10980311 10980312 10980313 10980314 10980315 10980316 10980317  
 10980318 10980319 10980320 10980321 10980322 10980323 10980324 10980325 10980326 10980327 10980328  
 10980329 10980330 10980331 10980332 11000214 11000215 11000216 11000217 11000218 11000219 11000220  
 11000221 11000222 11000223 11000224 11000225 11000226 11000227 11000228 11000229 11000230 11000231  
 11000232 11000233 11001906 11001907 11001908 11001909 11001910 11001911 11001912 11001913 11001914  
 11001915 11001916 11001917 11001918 11001919 11001920 11001921 11001922 11001923 11001924 11001925  
 11008617 11008618 11008619 11008620 11008621 11008622 11008623 11008624 11008625 11008626 11008627  
 11008628 11008629 11008630 11008631 11008632 11008633 11008634 11008635 11008636 11008637 11008638  
 11008639 11008640 11008641 11009071 11009072 11009073 11009074 11009075 11009076 11009077 11009078  
 11009079 11009080 11009081 11009082 11009083 11009084 11009085 11009086 11009087 11009088 11009089  
 11009090 11243878 11243879 11243880 11243881 11243882 11243883 11243884 11243885 11243886 11243887  
 11252840 11252841 11252842 11252843 11252844 11252845 11254583 11254584 11254585 11254586 11254587  
 11255996 11280569 11338712 11380491 11380492 11380493 11390532 11390533 11390534 11390535 11390536  
 11402497 11402498 11408565 11408566 11408567 11444102 11444103 11444104 11444105 11470589 11470757  
 11470758 11470759



1	01183645	12	screw EN 1662 -F-M8X35-10.9-ZNAL-A
2	04504325	1	gasket
3	01181406	1	bushing H 2341 -B11X8-FE/ZN12C*

**FASTENINGS**

Fig.	P/n	QTY	Name
------	-----	-----	------

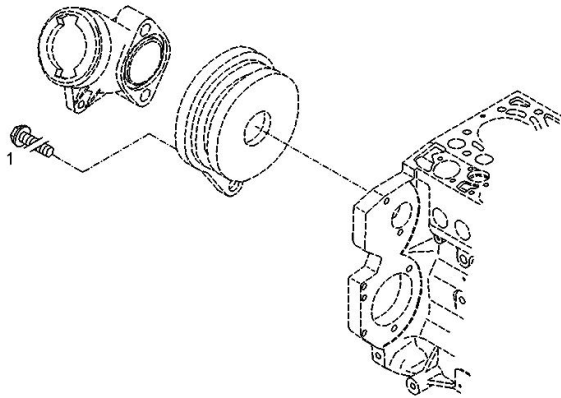
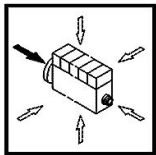
**Notes:**

[6040]

**Engine serial number:**

10512163 10549269 10549270 10549271 10549272 10549273 10549274 10549275 10549276 10549277 10549278  
 10582106 10582107 10582108 10582109 10582110 10582111 10582112 10582113 10582114 10582115 10609428  
 10609429 10609430 10609431 10609432 10609433 10609434 10609435 10609436 10609437 10649318 10877870  
 10877871 10889396 10889397 10889398 10900424 10900425 10900426 10900427 10900428 10900429 10900430  
 10900431 10900432 10900433 10911368 10911369 10911370 10911371 10911372 10911373 10911374 10911375  
 10911376 10911377 10956736 10956737 10980300 10980301 10980302 10980303 10980304 10980305 10980306  
 10980307 10980308 10980309 10980310 10980311 10980312 10980313 10980314 10980315 10980316 10980317  
 10980318 10980319 10980320 10980321 10980322 10980323 10980324 10980325 10980326 10980327 10980328  
 10980329 10980330 10980331 10980332 11000214 11000215 11000216 11000217 11000218 11000219 11000220  
 11000221 11000222 11000223 11000224 11000225 11000226 11000227 11000228 11000229 11000230 11000231  
 11000232 11000233 11001906 11001907 11001908 11001909 11001910 11001911 11001912 11001913 11001914  
 11001915 11001916 11001917 11001918 11001919 11001920 11001921 11001922 11001923 11001924 11001925  
 11008617 11008618 11008619 11008620 11008621 11008622 11008623 11008624 11008625 11008626 11008627  
 11008628 11008629 11008630 11008631 11008632 11008633 11008634 11008635 11008636 11008637 11008638  
 11008639 11008640 11008641 11009071 11009072 11009073 11009074 11009075 11009076 11009077 11009078  
 11009079 11009080 11009081 11009082 11009083 11009084 11009085 11009086 11009087 11009088 11009089  
 11009090 11243878 11243879 11243880 11243881 11243882 11243883 11243884 11243885 11243886 11243887  
 11252840 11252841 11252842 11252843 11252844 11252845 11254583 11254584 11254585 11254586 11254587  
 11255996 11280569 11338712 11380491 11380492 11380493 11390532 11390533 11390534 11390535 11390536  
 11402497 11402498 11408565 11408566 11408567 11444102 11444103 11444104 11444105 11470589 11470757  
 11470758 11470759

000



1	01181438	1	screw 30 Nm EN 1662 -F-M8X55-10.9-ZNAL-A
2	01181437	3	screw 20 Nm EN 1662 -F-M8X45-10.9-ZNAL-A

Section: B0 - ENGINE  
**SERIE GUARNIZIONI**

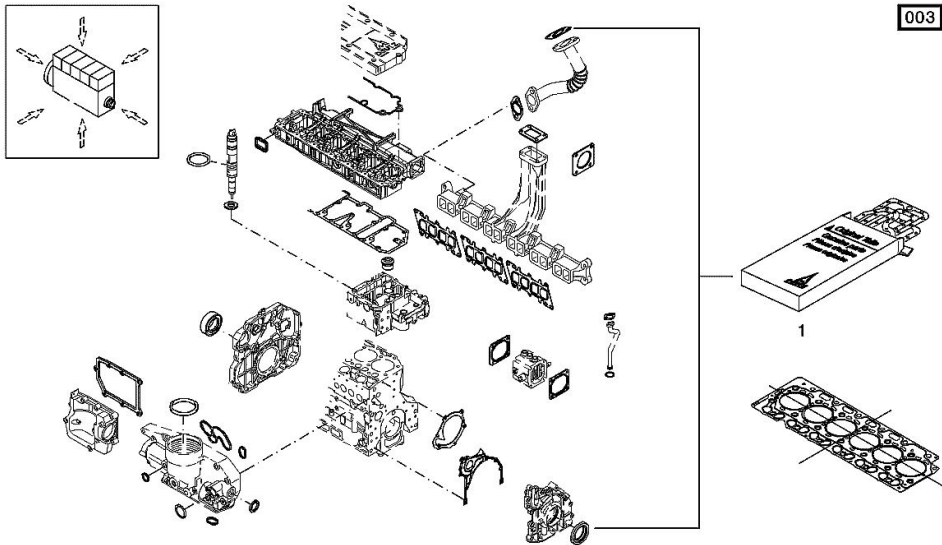
Fig.	P/n	QTY	Name
------	-----	-----	------

Notes:  
 [6040]

**Engine serial number:**

10512163 10549269 10549270 10549271 10549272 10549273 10549274 10549275 10549276 10549277 10549278  
 10582106 10582107 10582108 10582109 10582110 10582111 10582112 10582113 10582114 10582115 10609428  
 10609429 10609430 10609431 10609432 10609433 10609434 10609435 10609436 10609437 10649318 10877870  
 10877871 10889396 10889397 10889398 10900424 10900425 10900426 10900427 10900428 10900429 10900430  
 10900431 10900432 10900433 10911368 10911369 10911370 10911371 10911372 10911373 10911374 10911375  
 10911376 10911377 10956736 10956737 10980300 10980301 10980302 10980303 10980304 10980305 10980306  
 10980307 10980308 10980309 10980310 10980311 10980312 10980313 10980314 10980315 10980316 10980317  
 10980318 10980319 10980320 10980321 10980322 10980323 10980324 10980325 10980326 10980327 10980328  
 10980329 10980330 10980331 10980332 11000214 11000215 11000216 11000217 11000218 11000219 11000220  
 11000221 11000222 11000223 11000224 11000225 11000226 11000227 11000228 11000229 11000230 11000231  
 11000232 11000233 11001906 11001907 11001908 11001909 11001910 11001911 11001912 11001913 11001914  
 11001915 11001916 11001917 11001918 11001919 11001920 11001921 11001922 11001923 11001924 11001925  
 11008617 11008618 11008619 11008620 11008621 11008622 11008623 11008624 11008625 11008626 11008627  
 11008628 11008629 11008630 11008631 11008632 11008633 11008634 11008635 11008636 11008637 11008638  
 11008639 11008640 11008641 11009071 11009072 11009073 11009074 11009075 11009076 11009077 11009078  
 11009079 11009080 11009081 11009082 11009083 11009084 11009085 11009086 11009087 11009088 11009089  
 11009090 11243878 11243879 11243880 11243881 11243882 11243883 11243884 11243885 11243886 11243887  
 11252840 11252841 11252842 11252843 11252844 11252845 11254583 11254584 11254585 11254586 11254587  
 11255996 11280569 11338712 11380491 11380492 11380493 11390532 11390533 11390534 11390535 11390536  
 11402497 11402498 11408565 11408566 11408567 11444102 11444103 11444104 11444105 11470589 11470757  
 11470758 11470759

003 ©



1	02937590	1	gasket set THE KIT DOES NOT CONTAIN ALL THE GASKETS: SEE SM 0199-99-9449
---	----------	---	--------------------------------------------------------------------------------

Section: B0 - ENGINE  
**CRANKCASE BREATHER**

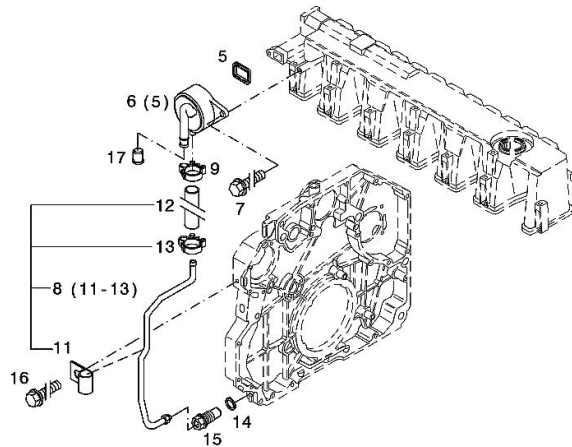
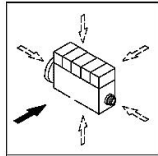
Fig.	P/n	QTY	Name
------	-----	-----	------

Notes:  
 [6040]

**Engine serial number:**

10512163 10549269 10549270 10549271 10549272 10549273 10549274 10549275 10549276 10549277 10549278  
 10582106 10582107 10582108 10582109 10582110 10582111 10582112 10582113 10582114 10582115 10609428  
 10609429 10609430 10609431 10609432 10609433 10609434 10609435 10609436 10609437 10649318 10877870  
 10877871 10889396 10889397 10889398 10900424 10900425 10900426 10900427 10900428 10900429 10900430  
 10900431 10900432 10900433 10911368 10911369 10911370 10911371 10911372 10911373 10911374 10911375  
 10911376 10911377 10956736 10956737 10980300 10980301 10980302 10980303 10980304 10980305 10980306  
 10980307 10980308 10980309 10980310 10980311 10980312 10980313 10980314 10980315 10980316 10980317  
 10980318 10980319 10980320 10980321 10980322 10980323 10980324 10980325 10980326 10980327 10980328  
 10980329 10980330 10980331 10980332 11000214 11000215 11000216 11000217 11000218 11000219 11000220  
 11000221 11000222 11000223 11000224 11000225 11000226 11000227 11000228 11000229 11000230 11000231  
 11000232 11000233 11001906 11001907 11001908 11001909 11001910 11001911 11001912 11001913 11001914  
 11001915 11001916 11001917 11001918 11001919 11001920 11001921 11001922 11001923 11001924 11001925  
 11008617 11008618 11008619 11008620 11008621 11008622 11008623 11008624 11008625 11008626 11008627  
 11008628 11008629 11008630 11008631 11008632 11008633 11008634 11008635 11008636 11008637 11008638  
 11008639 11008640 11008641 11009071 11009072 11009073 11009074 11009075 11009076 11009077 11009078  
 11009079 11009080 11009081 11009082 11009083 11009084 11009085 11009086 11009087 11009088 11009089  
 11009090 11243878 11243879 11243880 11243881 11243882 11243883 11243884 11243885 11243886 11243887  
 11252840 11252841 11252842 11252843 11252844 11252845 11254583 11254584 11254585 11254586 11254587  
 11255996 11280569 11338712 11380491 11380492 11380493 11390532 11390533 11390534 11390535 11390536  
 11402497 11402498 11408565 11408566 11408567 11444102 11444103 11444104 11444105 11470589 11470757  
 11470758 11470759

002 ©

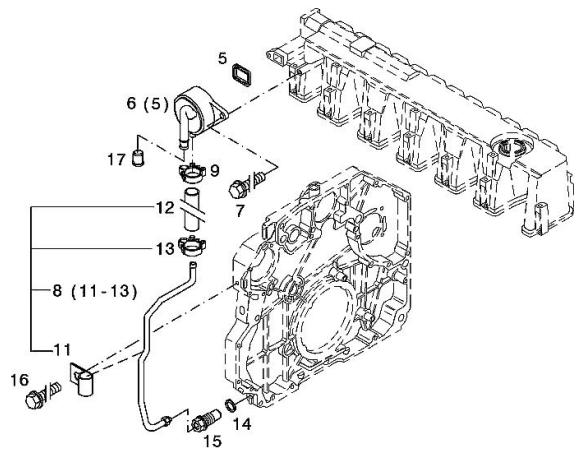
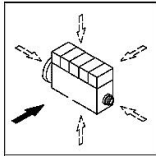


5	04298547	1	rubber plug
6	04905110	1	breather WITH POS.... (5)
7	01181432	2	screw m8x30 EN 1662 -F-M8X30-10.9-ZNAL-A
8	04504875	1	tube WITH POS.... 11-13
9	01182878	1	fascia H 3461 -F-13,0/8
11	02144961	1	fascia
12	04288505	1	rubber tube H 3407 -F8X14X97-EAM/ARAMID/EAM
13	01182878	1	fascia H 3461 -F-13,0/8
14	01118737	1	oil seal 22 x 27 DIN 7603 -A22X27-CU
15	04505853	1	pipe union
16	01181442	1	screw m6x12 EN 1662 -F-M6X12-10.9-ZNAL-A
17	01161302	1	bottom

Section: B0 - ENGINE  
**CRANKCASE BREATHER**

Fig.	P/n	QTY	Name
------	-----	-----	------

H 2873 -A25,5X22,8X17-PEWEICH



002 ©

Section: B0 - ENGINE  
**KURBELGEHAEUSE**

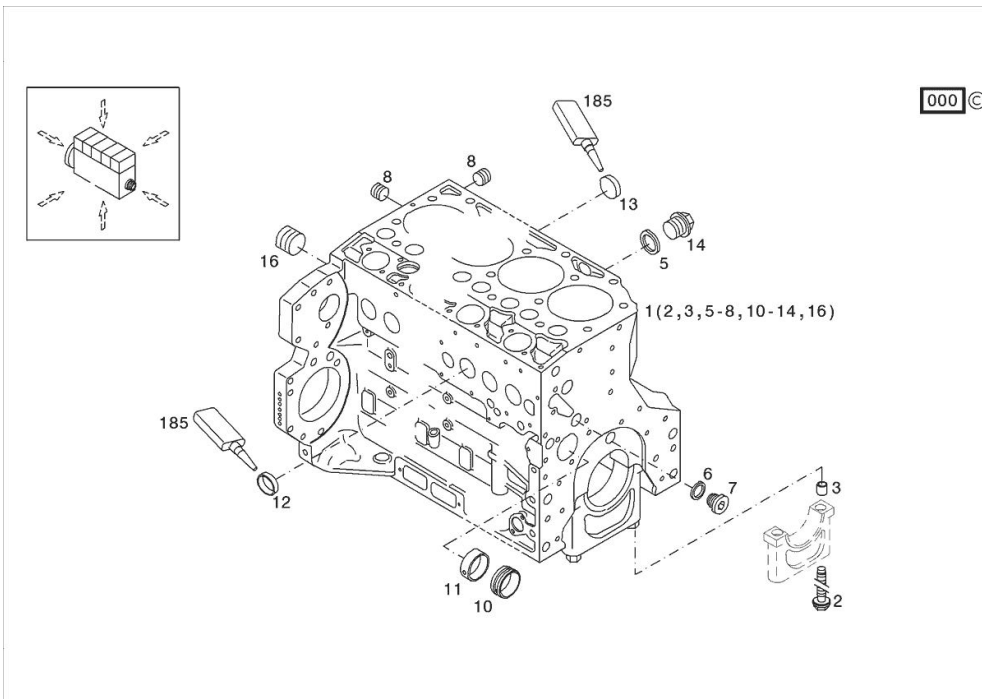
Fig.	P/n	QTY	Name
------	-----	-----	------

**Notes:**

[6040]

**Engine serial number:**

11243878 11243879 11243880 11243881 11243882 11243883 11243884 11243885 11243886 11243887 11252840  
 11252841 11252842 11252843 11252844 11252845 11254583 11254584 11254585 11254586 11254587 11255996  
 11280569 11338712 11380491 11380492 11380493 11390532 11390533 11390534 11390535 11390536 11402497  
 11402498 11408565 11408566 11408567 11444102 11444103 11444104 11444105 11470589 11470757 11470758  
 11470759



185	01319910	1	guard
1	04506860	1	crankcase MIT POS.... (2,3,5-8,10-14,16)
2	04254240	14	screw 50 Nm , 90° , 90°
3	04160764	14	bushing
5	01118693	2	gasket 14x20 DIN 7603 -A14X20-CU
6	01101342	1	oil seal DIN 7603 -D22X27-CU
7	04292706	1	plug 80 Nm
8	01182031	2	screw 35 Nm H 2812 -906-M14X1,5-ST-A3C-LOCTITE506
10	04251884	6	plug
11	04250086	1	ring
12	01148032	9	cover DIN 443 -A45-ZNPHR
13	01148031	5	plug DIN 443 -A36-ZNPHR
14	01100940	2	screw 35 Nm DIN 7604 -AM14X1,5-ST-A4C
16	04226536	1	bottom 30 Nm



**CRANKCASE**

Fig.	P/n	QTY	Name
------	-----	-----	------

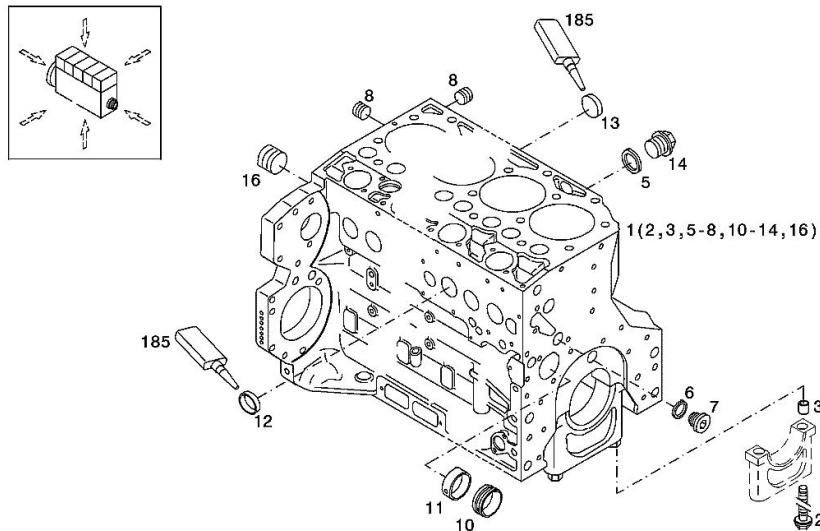
**Notes:**

[6040]

**Engine serial number:**

10512163 10549269 10549270 10549271 10549272 10549273 10549274 10549275 10549276 10549277 10549278  
 10582106 10582107 10582108 10582109 10582110 10582111 10582112 10582113 10582114 10582115 10609428  
 10609429 10609430 10609431 10609432 10609433 10609434 10609435 10609436 10609437 10649318 10877870  
 10877871 10889396 10889397 10889398 10900424 10900425 10900426 10900427 10900428 10900429 10900430  
 10900431 10900432 10900433 10911368 10911369 10911370 10911371 10911372 10911373 10911374 10911375  
 10911376 10911377 10956736 10956737 10980300 10980301 10980302 10980303 10980304 10980305 10980306  
 10980307 10980308 10980309 10980310 10980311 10980312 10980313 10980314 10980315 10980316 10980317  
 10980318 10980319 10980320 10980321 10980322 10980323 10980324 10980325 10980326 10980327 10980328  
 10980329 10980330 10980331 10980332 11000214 11000215 11000216 11000217 11000218 11000219 11000220  
 11000221 11000222 11000223 11000224 11000225 11000226 11000227 11000228 11000229 11000230 11000231  
 11000232 11000233 11001906 11001907 11001908 11001909 11001910 11001911 11001912 11001913 11001914  
 11001915 11001916 11001917 11001918 11001919 11001920 11001921 11001922 11001923 11001924 11001925  
 11008617 11008618 11008619 11008620 11008621 11008622 11008623 11008624 11008625 11008626 11008627  
 11008628 11008629 11008630 11008631 11008632 11008633 11008634 11008635 11008636 11008637 11008638  
 11008639 11008640 11008641 11009071 11009072 11009073 11009074 11009075 11009076 11009077 11009078  
 11009079 11009080 11009081 11009082 11009083 11009084 11009085 11009086 11009087 11009088 11009089  
 11009090

000 ©



1	04296594	1	crankcase WITH POS.... (2,3,5-8,10-14,16)
2	04254240	14	screw
3	04160764	14	bushing
5	01118693	2	gasket 14x20 DIN 7603 -A14X20-CU
6	01101342	1	oil seal DIN 7603 -D22X27-CU
7	04292706	1	plug
8	01182031	2	screw H 2812 -906-M14X1,5-ST-A3C-LOCTITE506
10	04251884	6	plug
11	04250086	1	ring
12	01148032	9	cover DIN 443 -A45-ZNPHR
13	01148031	5	plug DIN 443 -A36-ZNPHR
14	01100940	2	screw DIN 7604 -AM14X1,5-ST-A4C
16	04226536	1	bottom
185	01016125	1	guard H 0699 -DEUTZDW72-250ML

**DIPSTICK**

Fig.	P/n	QTY	Name
------	-----	-----	------

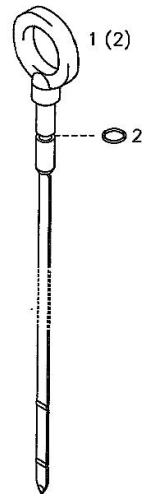
**Notes:**

[6040]

**Engine serial number:**

10512163 10549269 10549270 10549271 10549272 10549273 10549274 10549275 10549276 10549277 10549278  
 10582106 10582107 10582108 10582109 10582110 10582111 10582112 10582113 10582114 10582115 10609428  
 10609429 10609430 10609431 10609432 10609433 10609434 10609435 10609436 10609437 10649318 10877870  
 10877871 10889396 10889397 10889398 10900424 10900425 10900426 10900427 10900428 10900429 10900430  
 10900431 10900432 10900433 10911368 10911369 10911370 10911371 10911372 10911373 10911374 10911375  
 10911376 10911377 10956736 10956737 10980300 10980301 10980302 10980303 10980304 10980305 10980306  
 10980307 10980308 10980309 10980310 10980311 10980312 10980313 10980314 10980315 10980316 10980317  
 10980318 10980319 10980320 10980321 10980322 10980323 10980324 10980325 10980326 10980327 10980328  
 10980329 10980330 10980331 10980332 11000214 11000215 11000216 11000217 11000218 11000219 11000220  
 11000221 11000222 11000223 11000224 11000225 11000226 11000227 11000228 11000229 11000230 11000231  
 11000232 11000233 11001906 11001907 11001908 11001909 11001910 11001911 11001912 11001913 11001914  
 11001915 11001916 11001917 11001918 11001919 11001920 11001921 11001922 11001923 11001924 11001925  
 11008617 11008618 11008619 11008620 11008621 11008622 11008623 11008624 11008625 11008626 11008627  
 11008628 11008629 11008630 11008631 11008632 11008633 11008634 11008635 11008636 11008637 11008638  
 11008639 11008640 11008641 11009071 11009072 11009073 11009074 11009075 11009076 11009077 11009078  
 11009079 11009080 11009081 11009082 11009083 11009084 11009085 11009086 11009087 11009088 11009089  
 11009090 11243878 11243879 11243880 11243881 11243882 11243883 11243884 11243885 11243886 11243887  
 11252840 11252841 11252842 11252843 11252844 11252845 11254583 11254584 11254585 11254586 11254587  
 11255996 11280569 11338712 11380491 11380492 11380493 11390532 11390533 11390534 11390535 11390536  
 11402497 11402498 11408565 11408566 11408567 11444102 11444103 11444104 11444105 11470589 11470757  
 11470758 11470759

000



1	01180110	1	dipstick WITH POS.... (2) H 3535 -BG-683-650X13-OE
2	01165973	1	ring 5x1,5 H 2927 -5X1,5-NBR-1-60
10	01017932		ring Nr. material: only for calculating the quantity CALCULATION

**ACCESSORIES**

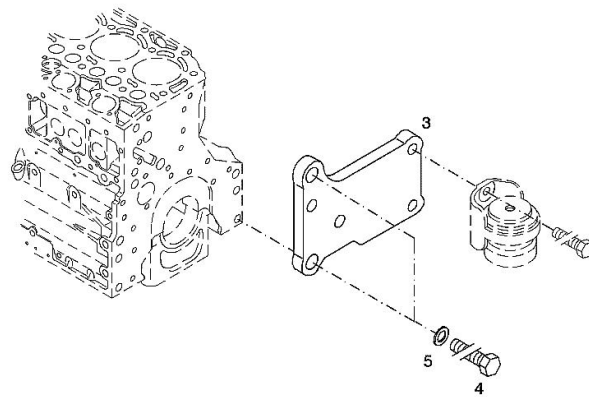
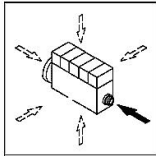
Fig.	P/n	QTY	Name
------	-----	-----	------

**Notes:**  
[6040]

**Engine serial number:**

10512163 10549269 10549270 10549271 10549272 10549273 10549274 10549275 10549276 10549277 10549278  
 10582106 10582107 10582108 10582109 10582110 10582111 10582112 10582113 10582114 10582115 10609428  
 10609429 10609430 10609431 10609432 10609433 10609434 10609435 10609436 10609437 10649318 10877870  
 10877871 10889396 10889397 10889398 10900424 10900425 10900426 10900427 10900428 10900429 10900430  
 10900431 10900432 10900433 10911368 10911369 10911370 10911371 10911372 10911373 10911374 10911375  
 10911376 10911377 10956736 10956737 10980300 10980301 10980302 10980303 10980304 10980305 10980306  
 10980307 10980308 10980309 10980310 10980311 10980312 10980313 10980314 10980315 10980316 10980317  
 10980318 10980319 10980320 10980321 10980322 10980323 10980324 10980325 10980326 10980327 10980328  
 10980329 10980330 10980331 10980332 11000214 11000215 11000216 11000217 11000218 11000219 11000220  
 11000221 11000222 11000223 11000224 11000225 11000226 11000227 11000228 11000229 11000230 11000231  
 11000232 11000233 11001906 11001907 11001908 11001909 11001910 11001911 11001912 11001913 11001914  
 11001915 11001916 11001917 11001918 11001919 11001920 11001921 11001922 11001923 11001924 11001925  
 11008617 11008618 11008619 11008620 11008621 11008622 11008623 11008624 11008625 11008626 11008627  
 11008628 11008629 11008630 11008631 11008632 11008633 11008634 11008635 11008636 11008637 11008638  
 11008639 11008640 11008641 11009071 11009072 11009073 11009074 11009075 11009076 11009077 11009078  
 11009079 11009080 11009081 11009082 11009083 11009084 11009085 11009086 11009087 11009088 11009089  
 11009090 11243878 11243879 11243880 11243881 11243882 11243883 11243884 11243885 11243886 11243887  
 11252840 11252841 11252842 11252843 11252844 11252845 11254583 11254584 11254585 11254586 11254587  
 11255996 11280569 11338712 11380491 11380492 11380493 11390532 11390533 11390534 11390535 11390536  
 11402497 11402498 11408565 11408566 11408567 11444102 11444103 11444104 11444105 11470589 11470757  
 11470758 11470759

006 ©



3	04288659	1	support
4	01148261	2	screw ISO 4017 -M16X40-10.9-ZNAL-A
5	01181400	2	washer H 2308 -18X25X1,5-A4C

Thank you so much for reading.  
Please click the “Buy Now!”  
button below to download the  
complete manual.



After you pay.

You can download the most  
perfect and complete manual in  
the world immediately.

Our support email:

[ebooklibonline@outlook.com](mailto:ebooklibonline@outlook.com)