

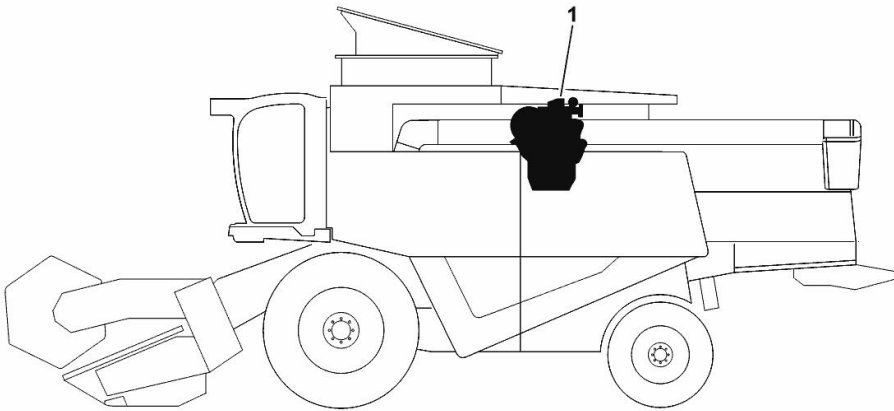
DEUTZ ENGINE 259 kW / 366 HP

Fig.	P/n	QTY	Name
------	-----	-----	------

Notes:

[6095 HTS ->14500]

1	25007610	1	engine TCD 2013 L06-4V ON ORDERING PLEASE ENGINE NO. REQUIRED
---	----------	---	---



H9_Z79A0_00_0-A-001

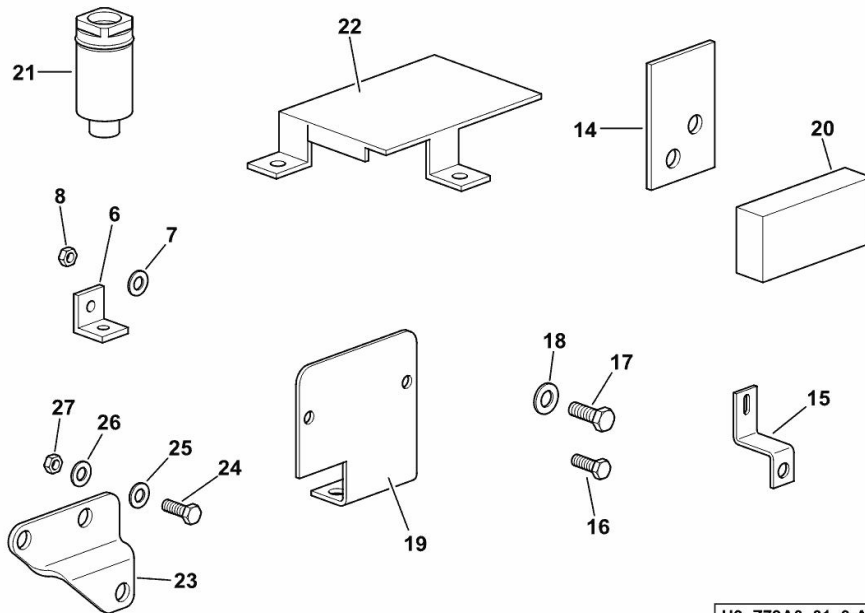
PARTS SET - ENGINE MOUNTING

Fig.	P/n	QTY	Name
------	-----	-----	------

Notes:

[6095 HTS ->14500] 14783 <-

6	16006188/10	1	support
7	01102797	2	washer 6, d128
8	01112813	2	nut m 6
14	16061552	4	plate
15	16062441	1	square
16	01112264	1	screw m 6 x 20, d933
17	01112299	1	screw m 8 x 12, d933
18	01102799	1	washer 8, d128
19	16062978	1	guard
20	0.015.8833.0	1	shim 30 x 50 x 15
21	16064238	1	vent
22	16064187	1	small guard
23	0.017.5544.0	1	bracket
24	2.0114.207.2	2	screw m 8 p.1.25 x 20
25	2.1474.009.2	1	spring washer 8
26	2.1310.004.2	2	flat washer 8.4x17
27	2.1120.005.2	1	nut m 8 p.1.25



H9_Z79A0_01_0-A-001

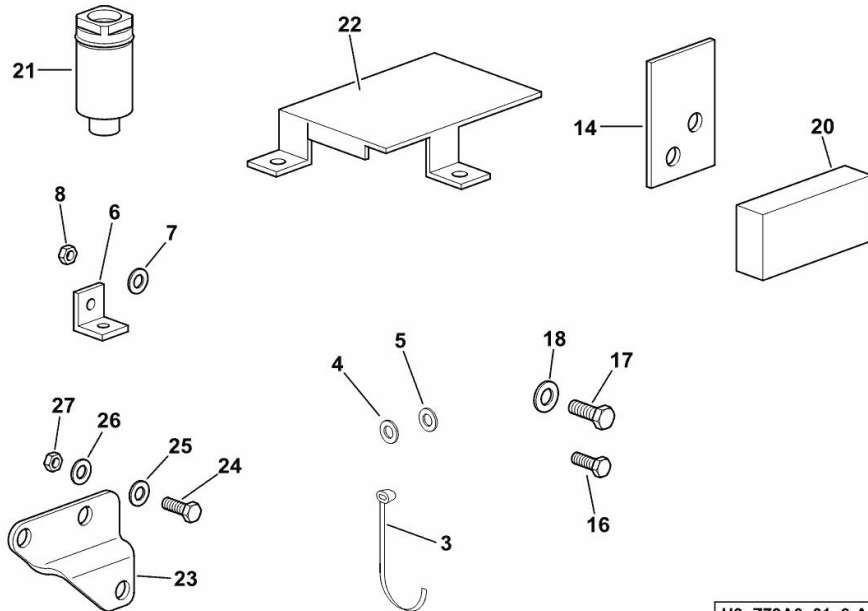
PARTS SET - ENGINE MOUNTING

Fig.	P/n	QTY	Name
------	-----	-----	------

Notes:

[6095 HTS ->14500] -> 14717 - 14882 <-

3	06216480	6	clamp 4,8 x 360
4	06214189	4	washer 6.4
5	01102797	2	washer 6, d128
6	16006188/10	1	support
7	01102797	2	washer 6, d128
8	01112813	2	nut m 6
14	16061552	4	plate
16	01112264	1	screw m 6 x 20, d933
17	01112299	1	screw m 8 x 12, d933
18	01102799	1	washer 8, d128
20	0.015.8833.0	1	shim 30 x 50 x 15
21	16064238	1	vent
22	16064187	1	small guard
23	0.017.5544.0	1	bracket
24	2.0114.207.2	2	screw m 8 p.1.25 x 20
25	2.1474.009.2	1	spring washer 8
26	2.1310.004.2	2	flat washer 8.4x17
27	2.1120.005.2	1	nut m 8 p.1.25



H9_Z79A0_01_0-A-002

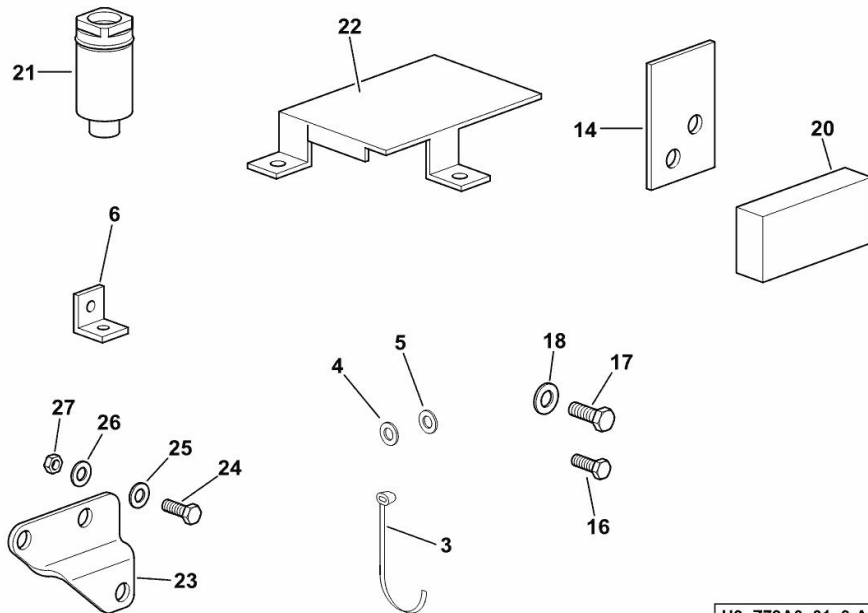
PARTS SET - ENGINE MOUNTING

Fig.	P/n	QTY	Name
------	-----	-----	------

Notes:

[6095 HTS ->14500]

3	06216480	6	clamp 4,8 x 360
4	06214189	4	washer 6.4
5	01102797	2	washer 6, d128
6	16006188/10	1	support
14	16061552	4	plate
16	01112264	1	screw m 6 x 20, d933
17	01112299	1	screw m 8 x 12, d933
18	01102799	1	washer 8, d128
20	0.015.8833.0	1	shim 30 x 50 x 15
21	16064238	1	vent
22	16064187	1	small guard
23	0.017.5544.0	1	bracket
24	2.0114.207.2	2	screw m 8 p.1.25 x 20
25	2.1474.009.2	1	spring washer 8
26	2.1310.004.2	2	flat washer 8.4x17
27	2.1120.005.2	1	nut m 8 p.1.25



H9_Z79A0_01_0-A-003

FASTENINGS

Fig.	P/n	QTY	Name
------	-----	-----	------

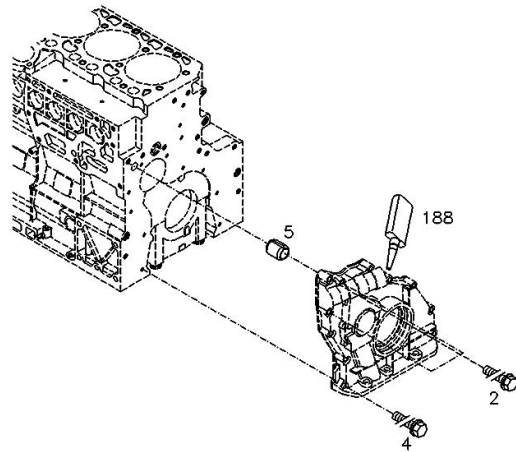
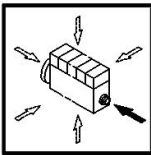
Notes:

[6095 HTS ->14500]

Engine serial number:

10615141 10615145 10615147 10615149 10615150 10615151 10615152 10620427 10768675 10768678 10872044
 10874890 10875452 10875453 10875454 10875455 10875456 10875457 10875458 10875459 10875460 10911149
 10911150 10911151 10911152 10911153 10960649 10960650 10967476 10967477 10967478 10967480 10971750
 10971751 10971752 10971753 10971754 10973169 10973170 10973171 10973172 10973173 10973402 10973403
 10973404 10973405 10973406 10975752 10975753 10975754 10975756 10975851 10975852 10975853 10975854
 10976290 10976291 10976292 10976293 10976294

2	01180114	3	screw EN 1662 -F-M8X70-10.9-GESCHW
4	01143362	8	screw EN 1662 -F-M8X35-10.9-A4C
5	01181406	1	bushing H 2341 -B11X8-FE/ZN12C*
6	04294952	1	gasket
188	01016122	1	gasket H 0699 -DEUTZDW67-250ML



Section: B0 - ENGINE
SERIE GUARNIZIONI

Fig.	P/n	QTY	Name
------	-----	-----	------

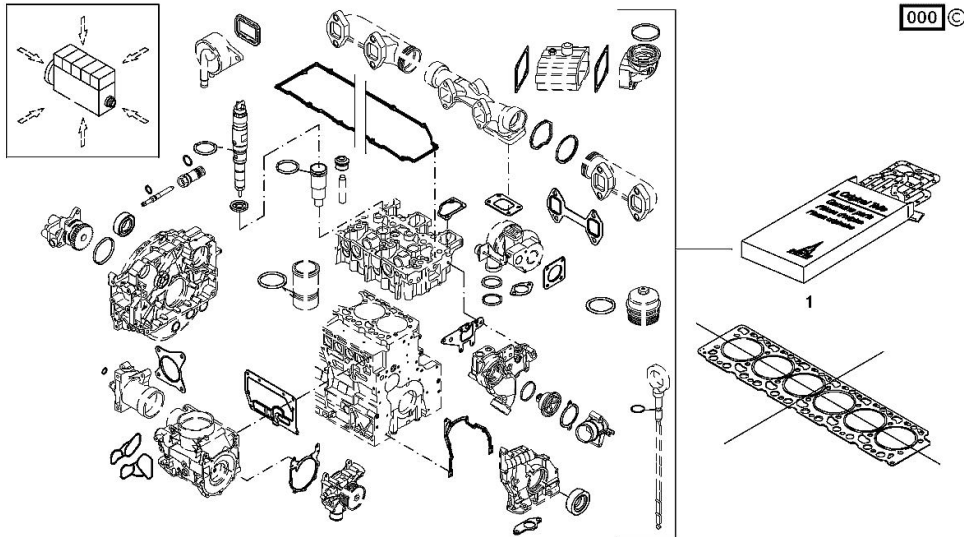
Notes:

[6095 HTS ->14500]

Engine serial number:

10615141 10615145 10615147 10615149 10615150 10615151 10615152 10620427

1	02937644	1	gasket set THE KIT DOES NOT CONTAIN ALL THE GASKETS: SEE SM 0199-99-9449
---	----------	---	--



Section: B0 - ENGINE
SERIE GUARNIZIONI

Fig.	P/n	QTY	Name
------	-----	-----	------

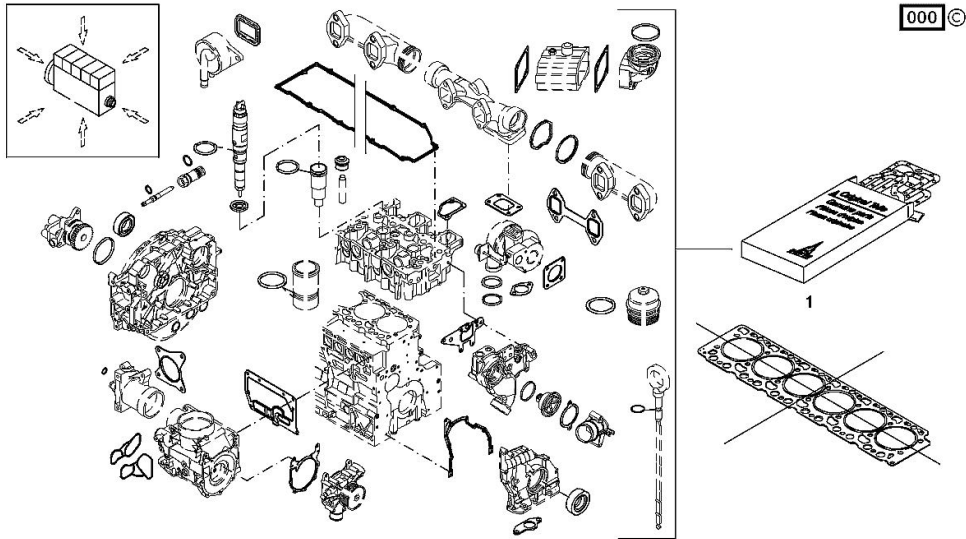
Notes:

[6095 HTS ->14500]

Engine serial number:

10615141 10615145 10615147 10615149 10615150 10615151 10615152

1	02937481	1	gasket set THE KIT DOES NOT CONTAIN ALL THE GASKETS: SEE SM 0199-99-9449
---	----------	---	--



Section: B0 - ENGINE
SERIE GUARNIZIONI

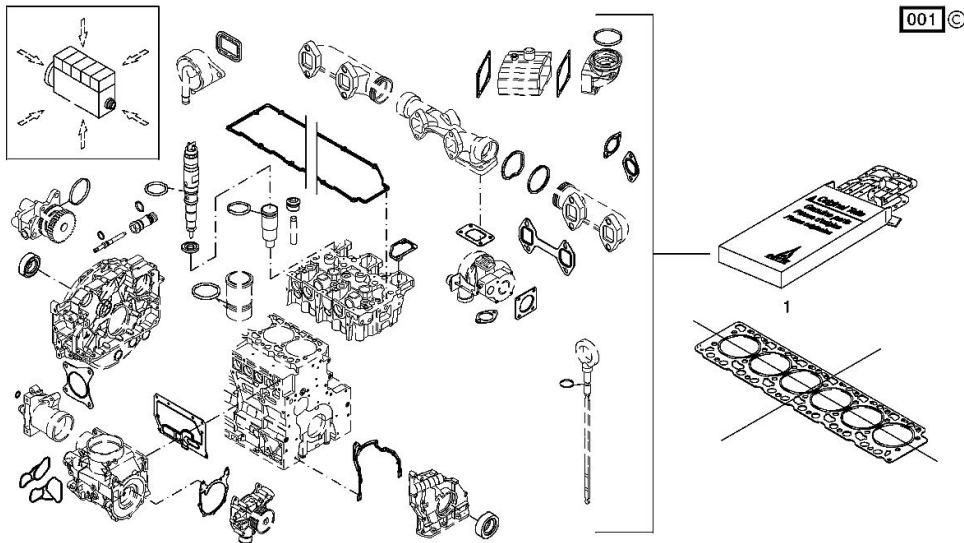
Fig.	P/n	QTY	Name
------	-----	-----	------

Notes:

[6095 HTS ->14500]

Engine serial number:

10768675 10768678 10872044 10874890 10875452 10875453 10875454 10875455 10875456 10875457 10875458
 10875459 10875460 10911149 10911150 10911151 10911152 10911153 10960649 10960650 10967476 10967477
 10967478 10967480 10971750 10971751 10971752 10971753 10971754 10973169 10973170 10973171 10973172
 10973173 10973402 10973403 10973404 10973405 10973406 10975752 10975753 10975754 10975756 10975851
 10975852 10975853 10975854 10976290 10976291 10976292 10976293 10976294



1	02931818	1	gasket set THE KIT DOES NOT CONTAIN ALL THE GASKETS: SEE SM 0199-99-9449
---	----------	---	--

Section: B0 - ENGINE

BLEEDING TUBE

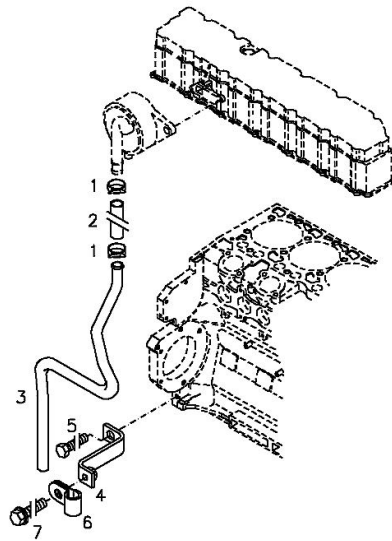
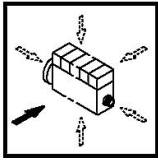
Fig.	P/n	QTY	Name
------	-----	-----	------

Notes:

[6095 HTS ->14500]

1	01178750	2	clamp DIN 3021 -A-29X15
2	01178053	1	rubber tube H 3407 -22X29X65
3	04903157	1	tube
4	04903847	1	support
5	01127056	1	screw DIN 933 -M12X20-10.9-A4C
6	01176230	1	fascia H 3223 -C22X15-ST/MVQ-1-70
7	01181439	1	screw EN 1662 -F-M6X16-10.9-ZNAL-A

000 ©



Section: B0 - ENGINE

BLEEDING TUBE

Fig.	P/n	QTY	Name
------	-----	-----	------

Notes:

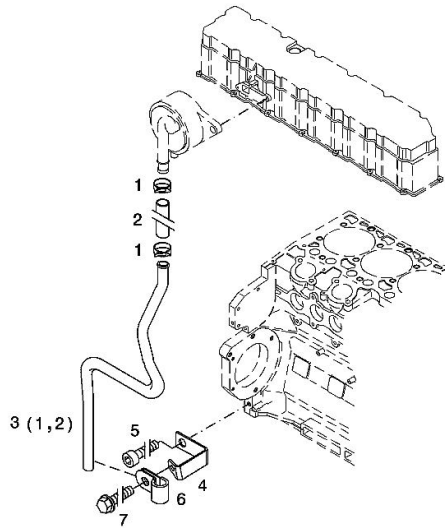
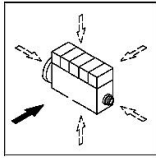
[6095 HTS ->14500]

Engine serial number:

10615141 10615145 10615147 10615149 10615150 10615151 10615152 10620427 10768675 10768678 10872044
 10874890 10875452 10875453 10875454 10875455 10875456 10875457 10875458 10875459 10875460 10911149
 10911150 10911151 10911152 10911153 10960649 10960650 10967476 10967477 10967478 10967480 10971750
 10971751 10971752 10971753 10971754 10973169 10973170 10973171 10973172 10973173 10973402 10973403
 10973404 10973405 10973406 10975752 10975753 10975754 10975756 10975851 10975852 10975853 10975854
 10976290 10976291 10976292 10976293 10976294

000 ©

1	01178750	2	clamp DIN 3021 -A-29X15
2	01183057	1	rubber sleeve H 3407 -F22X30X65EAM*
3	04905322	1	tube WITH POS.... 1,2
4	04906422	1	bracket
5	01110746	1	screw m 12 x 20 ISO 4762 -M12X20-8.8-A4C
6	01176230	1	fascia H 3223 -C22X15-ST/MVQ-1-70
7	01181439	1	screw EN 1662 -F-M6X16-10.9-ZNAL-A

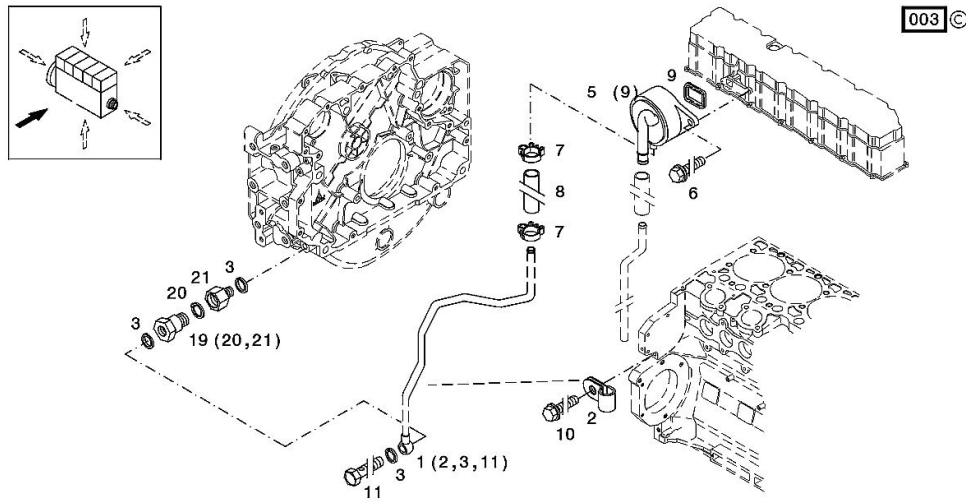


Section: B0 - ENGINE
CRANKCASE BREATHER

Fig.	P/n	QTY	Name
------	-----	-----	------

Notes:

[6095 HTS ->14500]



1	04905228	1	tube WITH POS.... (2,3,11)
2	01175559	3	fascia H 3223 -C8X15-ST/MVQ-1-70
3	01118673	3	oil seal DIN 7603 -A12X15,5-CU
5	04905110	1	breather WITH POS.... 9
6	01181432	2	screw m8x30 EN 1662 -F-M8X30-10.9-ZNAL-A
7	01180071	2	fascia H 3461 -F-14,0/8
8	01174783	1	rubber tube H 3430 -A8X14X70
9	04298547	1	rubber plug
10	01181442	1	screw m6x12 EN 1662 -F-M6X12-10.9-ZNAL-A
11	01119241	1	pipe union m 12 p.1.5 DIN 7643 -8
19	04905469	1	pipe fitting WITH POS.... (20,21)
20	01118737	1	oil seal 22 x 27 DIN 7603 -A22X27-CU
21	04904834	1	adapter

Thank you so much for reading.
Please click the “Buy Now!”
button below to download the
complete manual.



After you pay.

You can download the most
perfect and complete manual in
the world immediately.

Our support email:

ebooklibonline@outlook.com