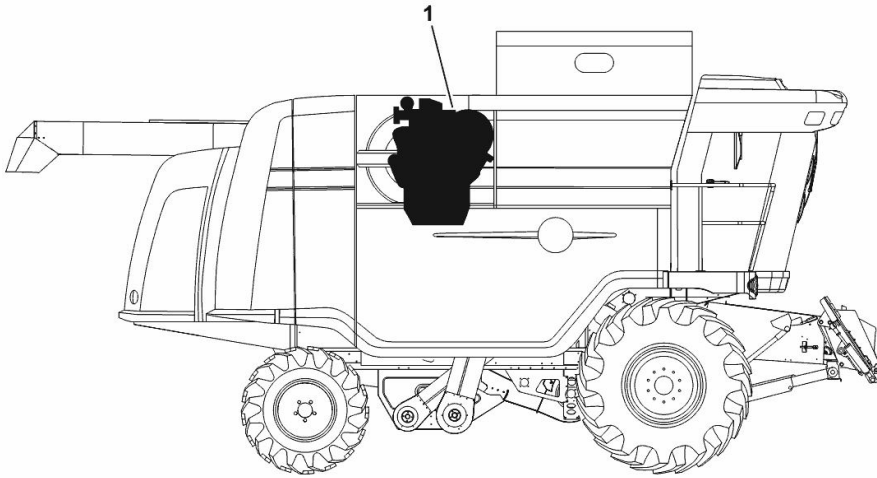


DEUTZ ENGINE TCD 2015 (330kW/442HP)

Fig.	P/n	QTY	Name
------	-----	-----	------

Notes:
[7545 RTS]

1	0.000.0000.1	1	cannot be supplied ON ORDERING PLEASE ENGINE NO. REQUIRED
---	--------------	---	---



H9_Z72A0_DX_M-A-001

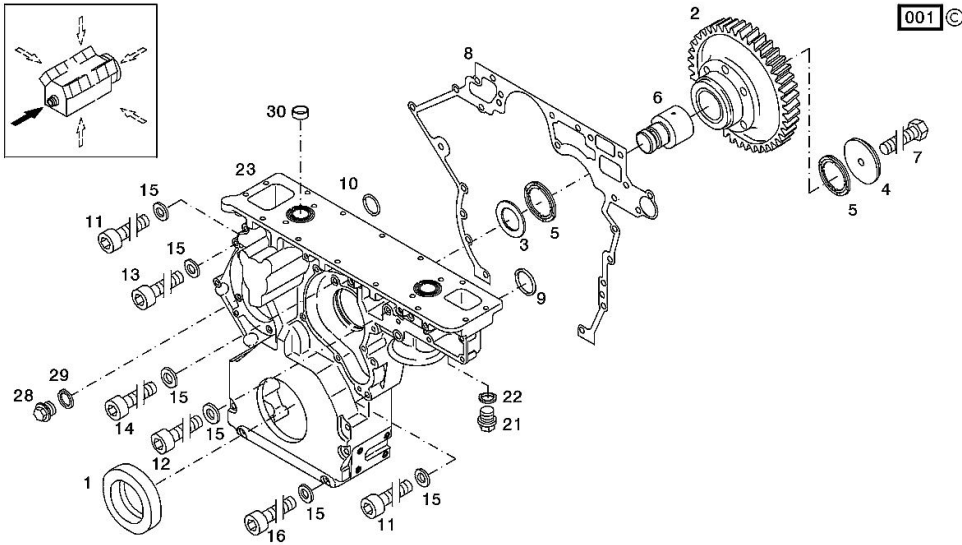
SUPPORTS

Fig.	P/n	QTY	Name
------	-----	-----	------

Notes:

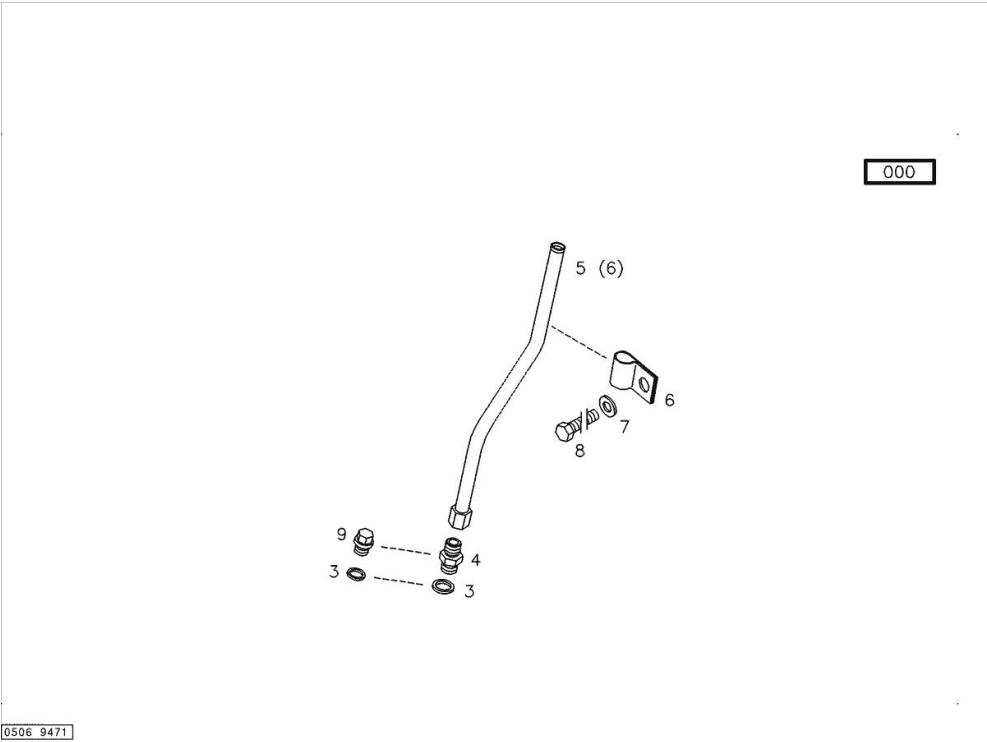
[7545 RTS]

1	04225441	1	oil seal
2	04262908	1	none
3	04264437	1	ring
4	04221451	1	washer
5	04221452	2	ring
6	04264438	1	pin
7	01148464	1	pipe fitting DIN 933 -M12X120-8.8-ZNAL-A
8	04261959	1	gasket
9	01212510	1	oil seal H 2927 -30X4-FPM-1-70
10	01179935	1	oil seal 12x4 H 2927 -12X4-FPM1-70
11	01148385	9	screw ISO 4762 -M10X110-10.9-ZNAL-A
12	01110713	2	screw ISO 4762 -M10X100-10.9-A4C
13	01110695	5	screw m 10 x 70 ISO 4762 -M10X70-10.9-OELGESCHW
14	01137112	2	screw ISO 4762 -M10X65-10.9-A4C
15	01107550	24	washer ISO 7092 -10-140HV-A4C*
16	01144747	5	screw m10x150 ISO 4762 -M10X150-10.9-OELGESCHW
21	01148427	2	screw DIN 910 -M14X1,5-ST-ZNAL-A
22	01118687	2	oil seal DIN 7603 -A14X18-AL
23	04268993	1	support
28	01118971	1	screw DIN 7604 -AM18X1,5-ST-A4C
29	01118712	1	oil seal a 18x22 d7603 DIN 7603 -A18X22-AL
30	04225590	2	bush



Section: B0 - ENGINE
FUEHRUNGSRÖHR

Fig.	P/n	QTY	Name
Notes: [7545 RTS]			
3	01118693	2	gasket 14x20 DIN 7603 -A14X20-CU
4	02409121	1	vent 30 Nm
5	04224544	1	guide MIT POS... (6)
6	03369462	1	fascia
7	02420277	1	washer
8	01151547	1	screw 70 Nm DIN 933 -M12X25-8.8
9	01133632	1	screw 45 Nm DIN 910 -M14X1,5-ST-ZNPHRF



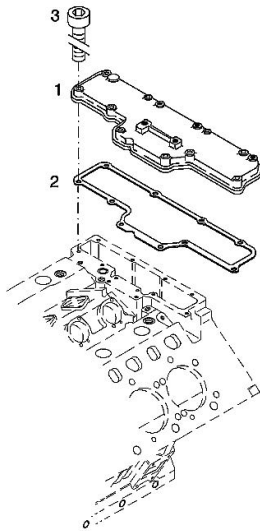
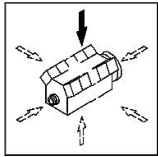
TUNNEL COVER

Fig.	P/n	QTY	Name
------	-----	-----	------

Notes:

[7545 RTS]

1	04263572	1	cover
2	04263873	1	gasket
3	01148435	10	screw ISO 4762 -M8X45-8.8-ZNAL-A



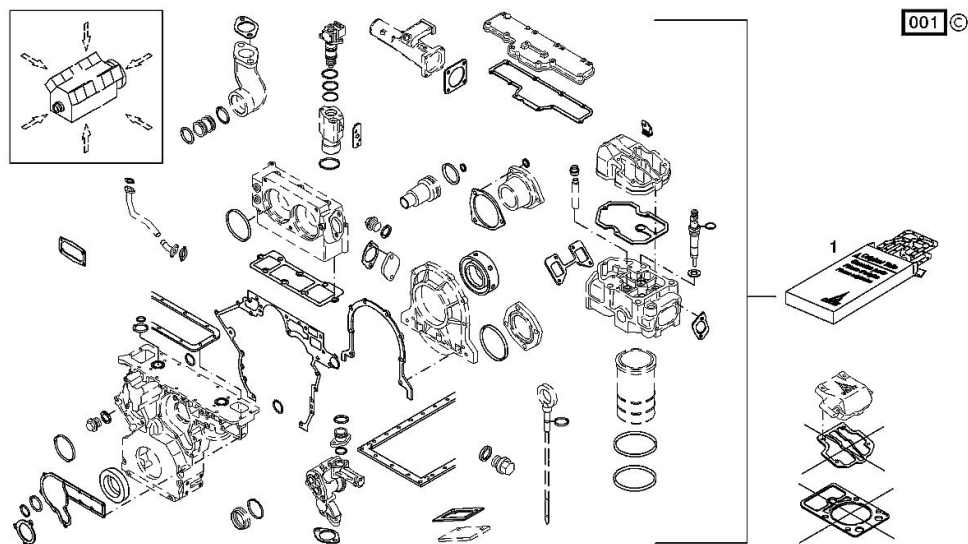
002 ©

Section: B0 - ENGINE
SERIE GUARNIZIONI

Fig.	P/n	QTY	Name
------	-----	-----	------

Notes:
 [7545 RTS]

1	02931719	1	gasket set Il kit guarnizioni non contiene Il kit guarnizioni non contiene Il kit guarnizioni non contiene Il kit guarnizioni non contiene Il kit guarnizioni non contiene Il kit guarnizioni non contiene Il kit guarnizioni non contiene TCD 2015 V06 base del motore
---	----------	---	--

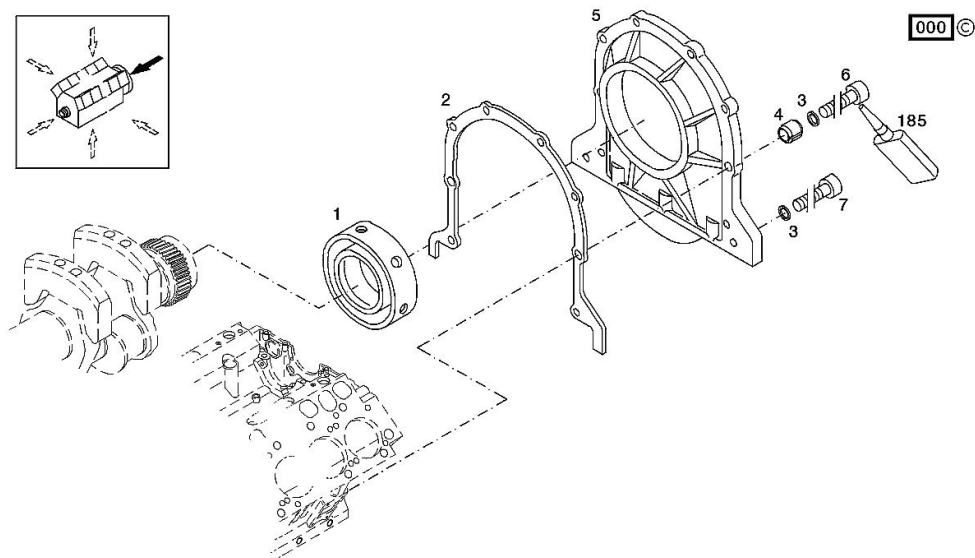


COVER PLATE

Fig.	P/n	QTY	Name
------	-----	-----	------

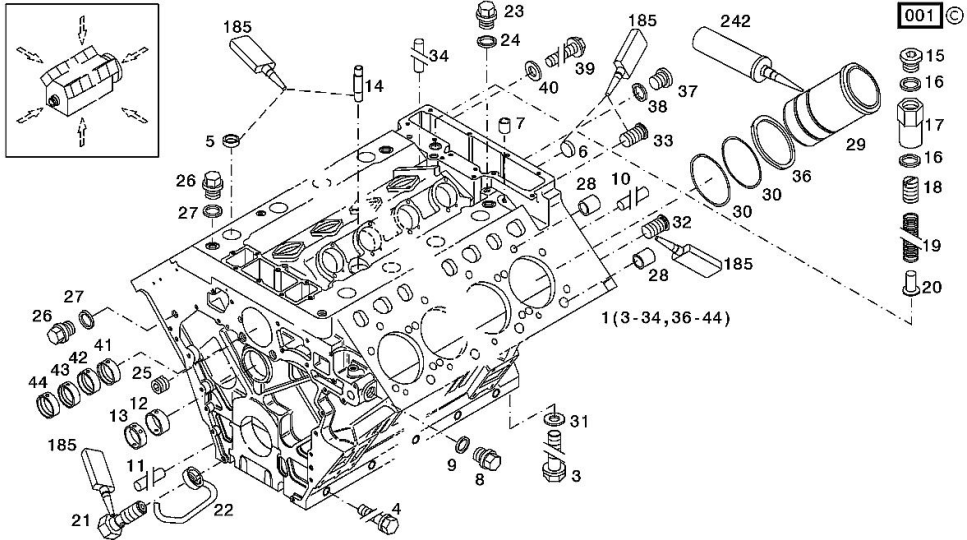
Notes:
[7545 RTS]

1	04225442	1	special oil seal
2	04264146	1	gasket
3	01118654	10	oil seal 8x14 d7603 DIN 7603 -A8X14-CU
4	03361375	2	bushing
5	04610509	1	shield
6	01110582	9	screw 21 Nm ISO 4762 -M8X30-8.8
7	01148435	1	screw 21 Nm ISO 4762 -M8X45-8.8-ZNAL-A
185	01319911	1	sealing compound ml. 50



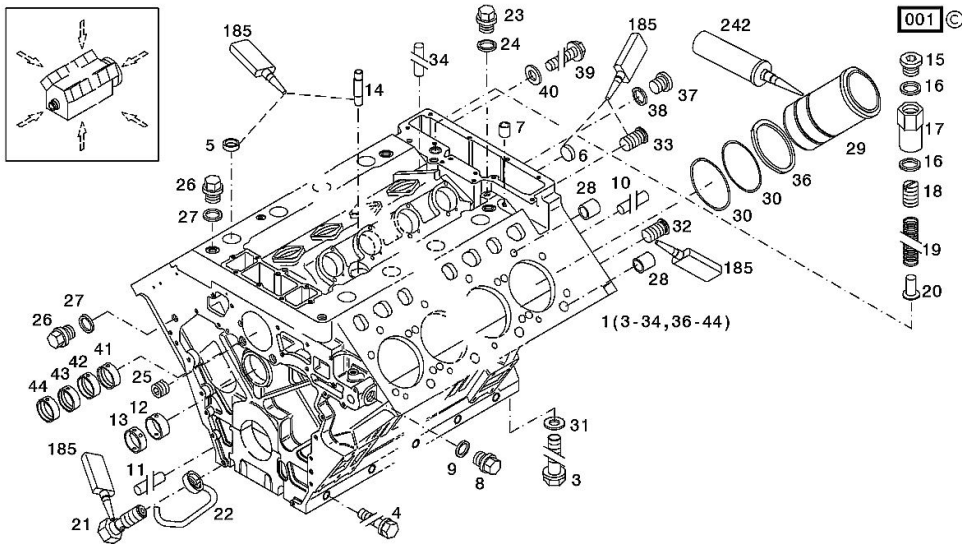
Section: B0 - ENGINE
CRANKCASE

Fig.	P/n	QTY	Name
Notes: [7545 RTS]			
1	04262771	1	crankcase WITH POS.... (3-34,36-44)
3	04227347	8	screw
4	04220150	8	screw
5	01179635	6	plug H 2860 -A45-ST-FE/ZNPHR
6	01148116	2	plug DIN 443 -B25-ZNPHR
7	01182808	7	plug H 2856 -C10-AL*
8	01110441	1	screw m 24 x 1,5 DIN 910 -M24X1,5-ST-ZNPHRF
9	01118748	1	oil seal DIN 7603 -A24X29-CU
10	01102854	2	cylindrical plug 14x28 d7 ISO 2338 -14M6X32-ST*
11	01105180	2	cylindrical plug 10x20 d7 ISO 2338 -10M6X20-ST*
12	04220155	1	bushing
13	04220156	3	bushing
14	04262733	1	stud bolt
15	01103686	1	screw m 30 p.1 DIN 908 -M30X1,5-ST-A4C
16	01118784	2	oil seal 30x36x2 d7603 DIN 7603 -A30X36-CU
17	04220332	1	casing
18	04223623	1	register
19	02403033	1	spring
20	04223046	1	piston
21	04220374	6	valve
22	04260464	6	nozzle
23	01148427	1	screw DIN 910 -M14X1,5-ST-ZNAL-A
24	01118688	1	ring 14x17 DIN 7603 -A14X18-CU
25	04226536	4	bottom
26	01110435	8	plug DIN 910 -M16X1,5-ST-ZNPHRF
27	01118700	8	oil seal Ø 16 x 20 DIN 7603 -A16X20-CU
28	04200078	12	bushing



CRANKCASE

Fig.	P/n	QTY	Name
29	04264462	6	engine cylinder
30	01180667	12	oil seal 150x4 H 2927 -150X4-FPM-2-70-GRUEN
31	02408062	8	washer
32	01182259	4	pipe union H 2357 -AM12X1,5-M16X1,5-16,5-*
33	01182260	2	pipe union H 2357 -AM10-M14X1,5-16,5-*
34	01105104	6	cylindrical plug ISO 2338 -5M6X10-ST*
36	04263706	6	ring
37	01124759	1	plug DIN 908 -M22X1,5-ST-A4C
38	01118737	1	oil seal 22 x 27 DIN 7603 -A22X27-CU
39	01181436	2	screw EN 1662 -F-M8X16-LG2,5-10.9-ZNAL-A
40	04223718	2	oil seal
41	04264021	1	bushing
42	04264022	1	bushing
43	04264023	1	bushing
44	04264025	1	bushing
185	01319910	10	guard
242	01016105	1	sealing compound

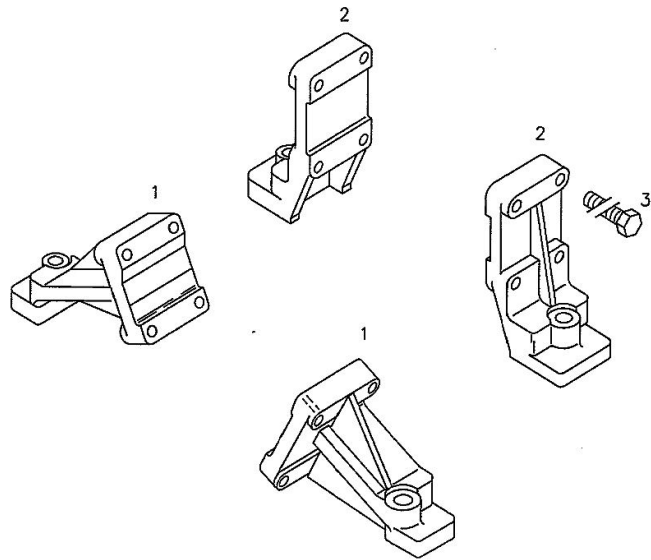


Section: B0 - ENGINE
ENGINE BEARING

Fig.	P/n	QTY	Name
------	-----	-----	------

Notes:
 [7545 RTS]

1	02169511	2	square
2	02162166	2	square
3	01112554	16	screw m 12 x 45 DIN 933 -M12X45-8.8-A4C



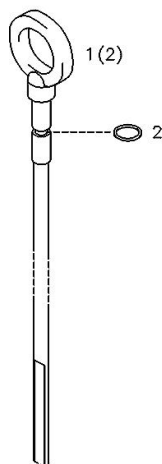
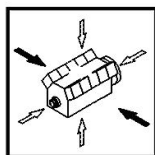
000

DIPSTICK

Fig.	P/n	QTY	Name
------	-----	-----	------

Notes:
[7545 RTS]

1	01181513	1	dipstick WITH POS.... (2) H 3535 -CD-745-720X10-GESTR.
2	01165973	1	ring 5x1,5 H 2927 -5X1,5-NBR-1-60



000

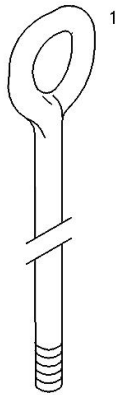
PIN

Fig.	P/n	QTY	Name
------	-----	-----	------

Notes:
[7545 RTS]

1	04223727	1	pin
---	----------	---	-----

000



0508 8559

Thank you so much for reading.
Please click the “Buy Now!”
button below to download the
complete manual.



After you pay.

You can download the most
perfect and complete manual in
the world immediately.

Our support email:

ebooklibonline@outlook.com