

# **SERVICE PARTS CATALOGUE**

**CATALOGO PARTI DI RICAMBIO**

**CATALOGUE DES PIECES DE TACHEES**

**ERSATZTEILK ATALOG**

**CATALOGO DE PIEZAS DE REPUES TO**

**CATALOGO DE PECAS SOBRESSALENTES**

**RESERVEDELSKATALOG**

**ONDERDELENLIJST**

**Mini Crawler Excavators EI8SR**

Print No. 87677795



---

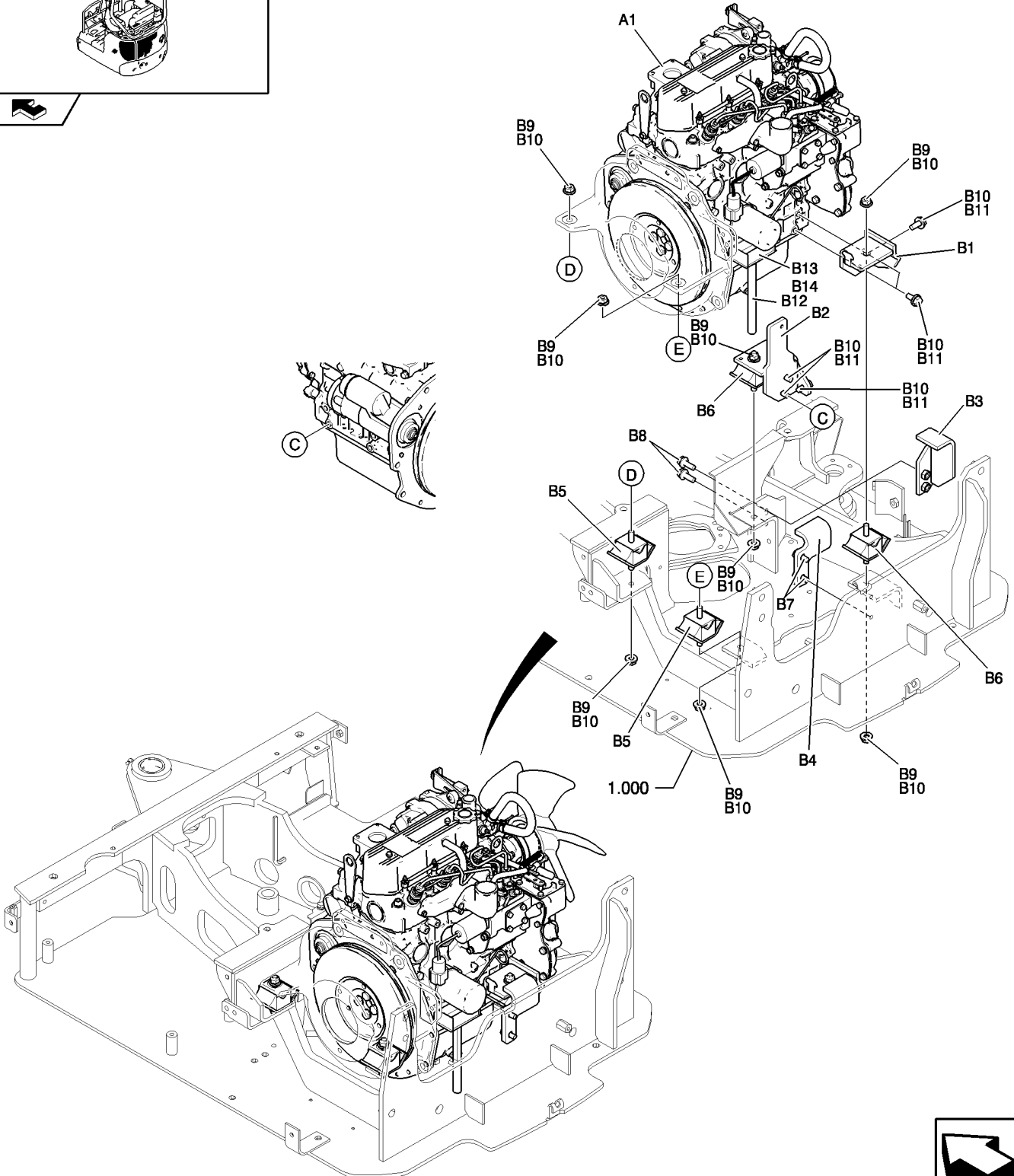
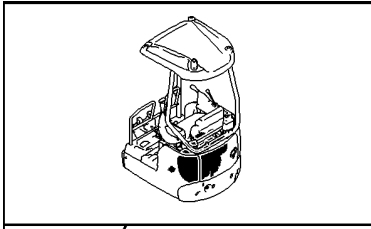
# SECTION INDEX

## General

---

0 - VERSION	00	IDENTIFICATION AND VERSION LIST
0.000	00	MAINTENANCE PARTS
0.000	01	ENGINE INSTALLATIONS
0.001	01	AIR CLEANER
0.002	01	MUFFLER
0.003	01	RADIATOR INSTALLATIONS
0.003	02	RADIATOR - COMPONENTS
0.004	01	ENGINE ACCELERATOR CONTROLS
0.021	01	ENGINE - DIESEL
0.021	02	GASKET SET
0.040	01	CRANKCASE
0.040	02	CRANKCASE
0.042	01	OIL SUMP
0.043	01	CRANKCASE COVERS
0.060	01	CYLINDER HEAD
0.060	02	ROCKER COVER
0.071	01	MANIFOLDS
0.080	01	CRANKSHAFT
0.081	01	PISTONS
0.083	01	FLYWHEEL PLATE
0.100	01	FUEL INJECTION PUMP DRIVE
0.120	01	VALVE MECHANISM
0.120	02	CAMSHAFT
0.140	01	FUEL INJECTION PUMP
0.140	02	INJECTION PUMP - CONTROL
0.140	03	GOVERNOR PARTS
0.149	01	INJECTION EQUIPMENT - PIPING
0.149	02	INJECTION EQUIPMENT - PIPING
0.200	01	WATER SEPARATOR
0.200	02	FUEL FILTER
0.302	01	OIL FILTERS - ENGINE
0.320	01	WATER PUMP
0.326	01	THERMOSTAT
0.347	01	FAN & BELT
0.360	01	STARTER MOTOR
0.360	02	STARTER MOTOR
0.380	01	PREHEATING LAMP
0.380	02	RELAY
0.380	03	SPEED CONTROL
0.400	01	ALTERNATOR
0.400	02	ALTERNATOR

ENGINE INSTALLATIONS  
INSTALLAZIONE MOTORE  
MOTORANLAGE  
INSTALLATIONS DU MOTEUR



0.000

01

p1

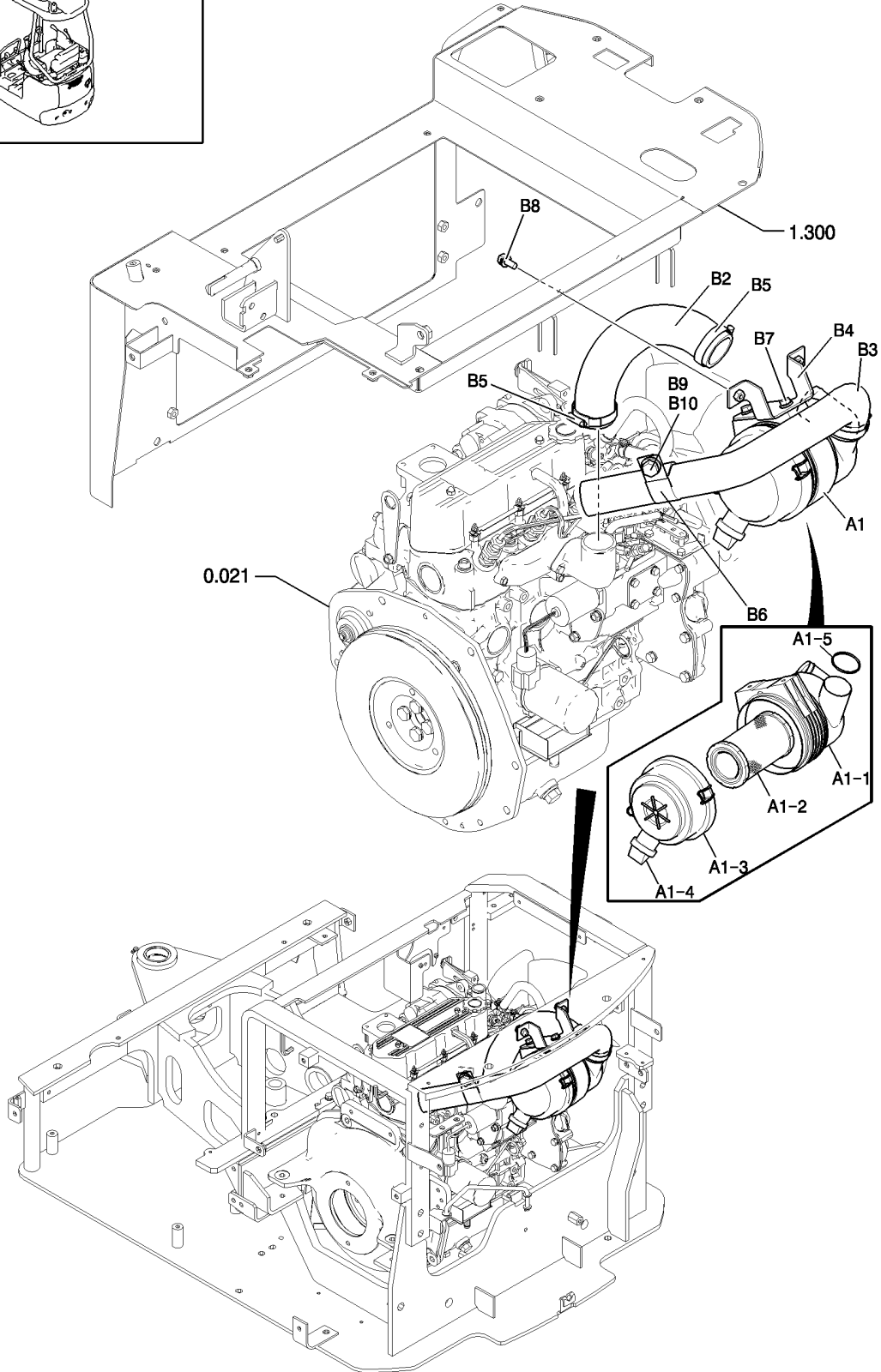
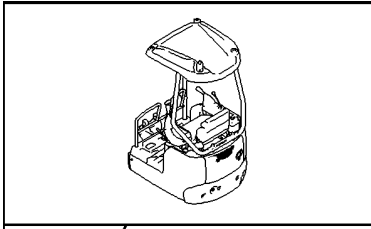
02/08

INSTALACIÓN MOTOR  
ENGINE INSTALLATIONS  
ENGINE INSTALLATIONS  
ENGINE INSTALLATIONS

R	N	P.N.	MOD	Q	Description Denominacion	Descrizione Beskrivelse	Bezeichnung Denominação	Description Beschrijving	L.C.
A1		PU02P00013F1		1	ENGINE ASSY, - ASSY SEE SGR. 0.021	MOTORE ENGINE ASS	VERBRENNUNGSMOTOR MOTOR	MOTEUR-THERMIQUE ENGINE ASS	3020
B1		PU02P01025P1		1	BRACKET PIEZA DE SOPORTE	STAFFA BESLAG	KONSOLE BRACADEIRA	PATTE FIXATION STEUNBEUGEL	225S
B2		PU02P01002P1		1	BRACKET PIEZA DE SOPORTE	STAFFA BESLAG	KONSOLE BRACADEIRA	PATTE FIXATION STEUNBEUGEL	225S
B3		PU02P01003P1		1	STOP DISPOSITIVO DE TOPE	ARRESTO STOP	STOPPVORRICHTUNG BATENTE	BUTÉE STOOTSTUK	080A
B4		PU02P01015P1		1	STOP DISPOSITIVO DE TOPE	ARRESTO STOP	STOPPVORRICHTUNG BATENTE	BUTÉE STOOTSTUK	080A
B5		PM02P01037P1		2	MOUNT, RUBBER TEJUELO, GOMA	SUPPORTO, DI GOMMA MONTERINGSGUMMIBØ	GUMMIHALTERUNG MONTAGEM DE BORRACHA	PALIER CAOUTCHOUC BEVESTIGING, RUBBER	P777
B6		PM02P01038P1		2	MOUNT, RUBBER TEJUELO, GOMA	SUPPORTO, DI GOMMA MONTERINGSGUMMIBØ	GUMMIHALTERUNG MONTAGEM DE BORRACHA	PALIER CAOUTCHOUC BEVESTIGING, RUBBER	P777
B7		ZM73C10025		2	BOLT TORNILLO	BULLONE SKRUE	SCHRAUBE PARAFUSO	BOULON BOUT	140B
B8		ZM73C10030		2	BOLT TORNILLO	BULLONE SKRUE	SCHRAUBE PARAFUSO	BOULON BOUT	140B
B9		ZN18C10008		8	NUT TUERCA	DADO MOETRIK	MUTTER PORCA	ECROU MOER	010D
B10		ZW16H10000		16	WASHER ARANDELA	ROSETTA PIANA FLADSKIVE	UNTERLEGSCHLEIBE ANILHA	RONDELLE SLUITRING	131R
B11		ZS18F10025		6	SCREW TORNILLO	VITE SKRUE	SCHRAUBE PARAFUSO	VIS SCHROEF	040V
B12		PW02P01047D4		1	HOSE MANGA	MANICOTTO FLESSIBILE SLANGE	SCHLAUCH TUBO FLEXIVEL	FLEXIBLE FLEXIBELE BUIS	030M
B13		{PU02P01029P1}		1					
B14		ZS18F10020		2	BOLT TORNILLO	BULLONE SKRUE	SCHRAUBE PARAFUSO	BOULON BOUT	140B

E18SR

AIR CLEANER  
FILTRO ARIA  
LUFTFILTER  
FILTRE A AIR



0.001

01

p1

03/08

FILTRO DE AIRE  
AIR CLEANER  
AIR CLEANER  
AIR CLEANER

R	N	P.N.	MOD	Q	Description Denominacion	Descrizione Beskrivelse	Bezeichnung Denominação	Description Beschrijving	L.C.
A1		PU11P00004F1		1	CLEANER PULIDOR	PULITORE RENSEANORDNING	REINIGUNGSVORRICHT POLIDOR	NETTOYEUR REINIGER	494P
A1-1		PU11P00004S001		1	BODY CUERPO	CORPO HUS	KOERPER CORPO	CORPS LICHAM	300C
A1-2		PM11P00006S002		1	FILTER, ELEMENT ELEMENTO DE FILTRAD	ELEMENTO DEL FILTRO FILTERELEMENT	FILTERELEMENT ELEMENTO DE FILTRO	ÉLÉMENT FILTRANT FILTERELEMENT	020E
A1-3		PM11P00006S003		1	COVER ASSY TABLA (CONJUNTO)	COPERCHIO, COMPL COVER ASSY	DECKEL (KPLT.) TAMPA CONJUNTO	COUVERCLE (ASSEMBL) COVER ASSY	P426
A1-4		2446U242S4		1	VALVE VALVULA	VALVOLA VENTIL	VENTIL VALVULA	SOUPAPE KLEP	9620
A1-5		PM11P00006S005		1	O-RING JUNTA HERMETICA	ANELLO TOROIDALE O-RING	O-RING O-RING	JOINT THORIQUE O-RING	055A
B2		PU11P01005P1		1	HOSE MANGA	MANICOTTO FLESSIBILE SLANGE	SCHLAUCH TUBO FLEXIVEL	FLEXIBLE FLEXIBELE BUIS	030M
B3		PU11P01006P1		1	HOSE MANGA	MANICOTTO FLESSIBILE SLANGE	SCHLAUCH TUBO FLEXIVEL	FLEXIBLE FLEXIBELE BUIS	030M
B4		PU11P01030P1		1	BRACKET PIEZA DE SOPORTE	STAFFA BESLAG	KONSOLE BRACADEIRA	PATTE FIXATION STEUNBEUGEL	225S
B5		ZC16X05000		3	CLIP SUJETADOR	FERMAGLIO KLIPS	KLEMME FIXADOR	CLIP KLEM	045F
B6		ZC46X46014		1	CLIP SUJETADOR	FERMAGLIO KLIPS	KLEMME FIXADOR	CLIP KLEM	045F
B7		ZM73C08020		2	BOLT TORNILLO	BULLONE SKRUE	SCHRAUBE PARAFUSO	BOULON BOUT	140B
B8		PA03M01093D2		2	BOLT TORNILLO	BULLONE SKRUE	SCHRAUBE PARAFUSO	BOULON BOUT	140B
B9		ZS18C12020		1	SCREW TORNILLO	VITE SKRUE	SCHRAUBE PARAFUSO	VIS SCHROEF	040V
B10		ZW16H12000		1	WASHER ARANDELA	ROSETTA PIANA FLADSKIVE	UNTERLEGSCHIEBE ANILHA	RONDELLE SLUITRING	131R

E18SR

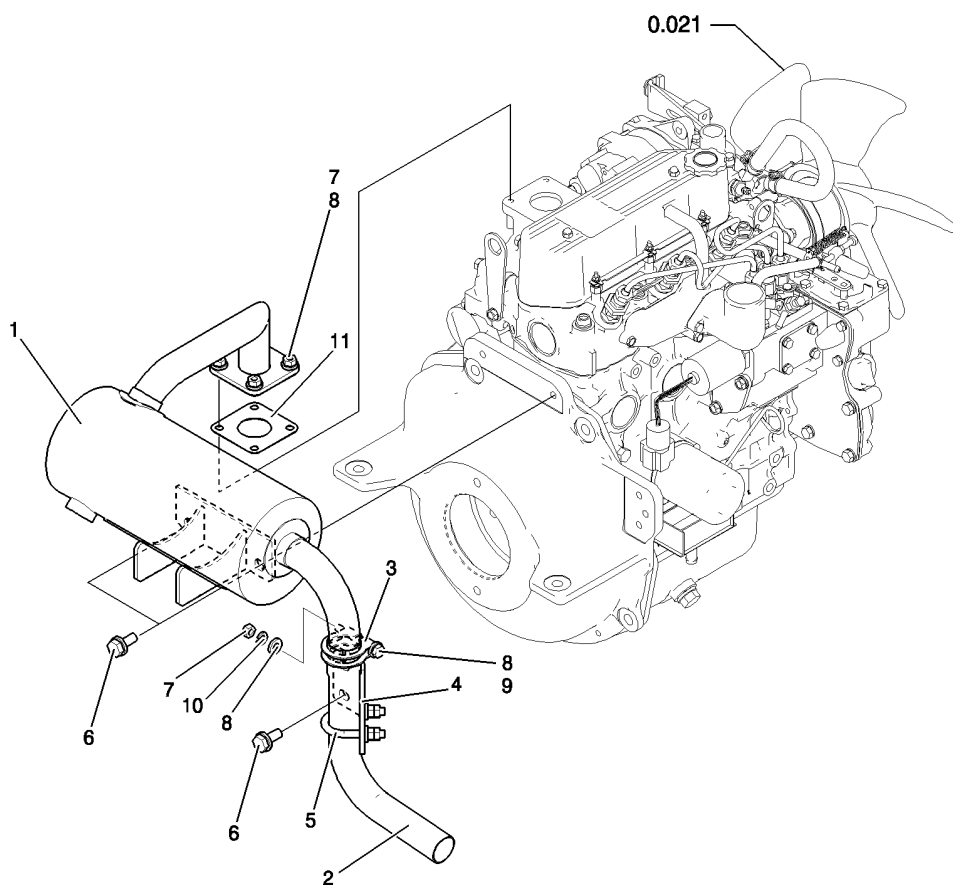
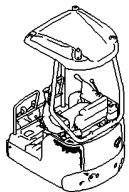
0.002

01

p1

02/08

MUFFLER  
SILENZIATORE  
SCHALLDAEMPFER  
SILENCIEUX



0.002

01

p1

02/08

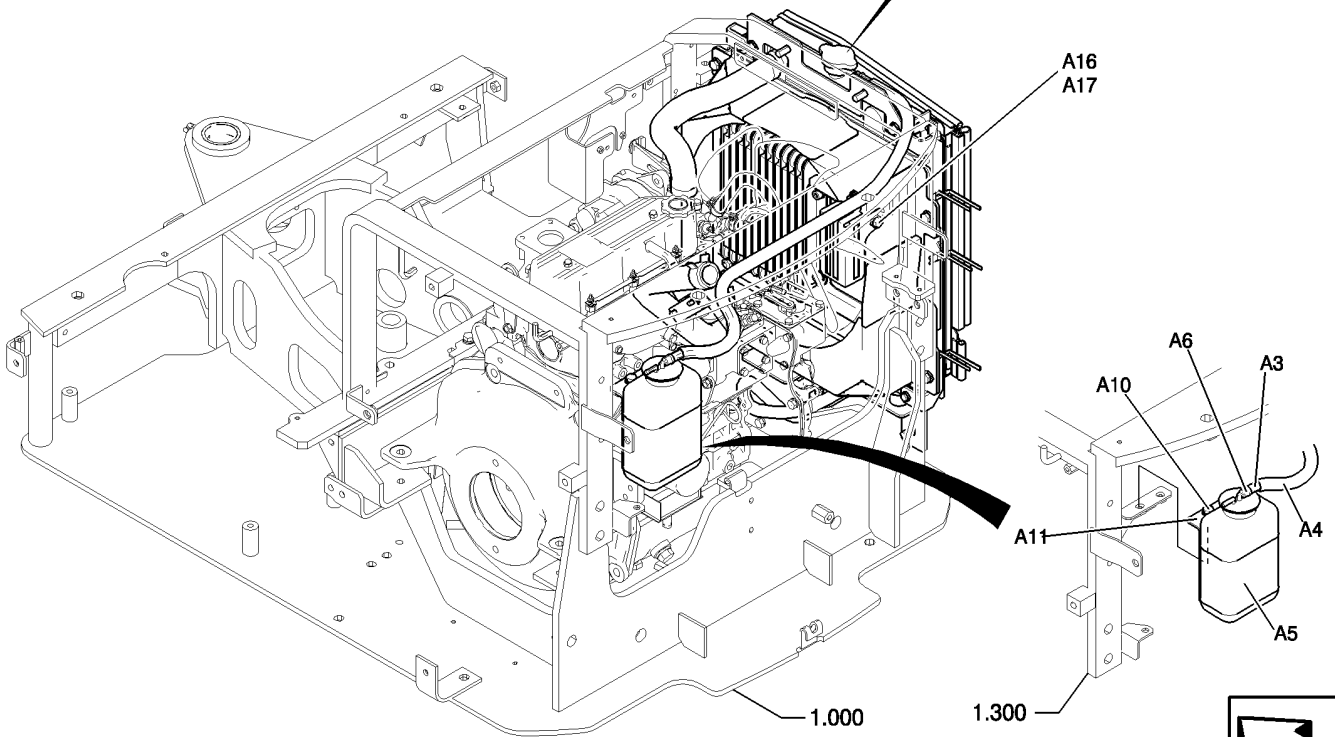
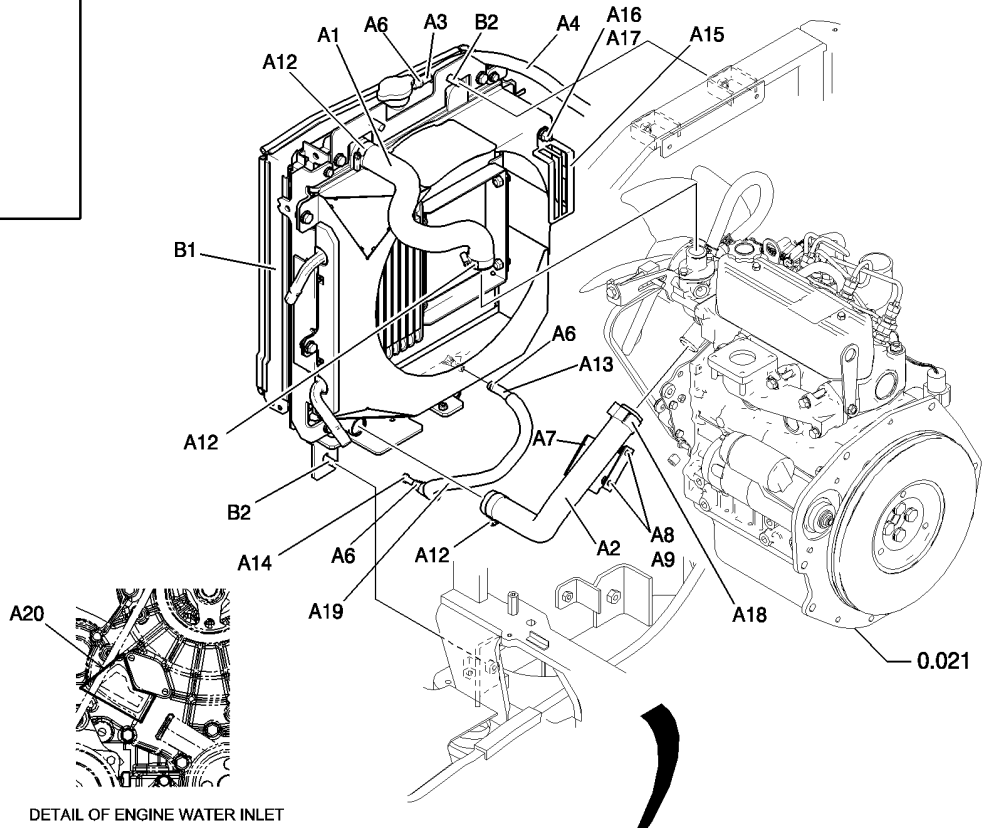
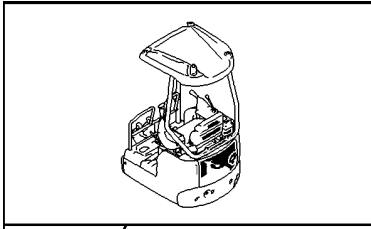
SILENCIADOR  
MUFFLER  
MUFFLER  
MUFFLER

R	N	P.N.	MOD	Q	Description Denominacion	Descrizione Beskrivelse	Bezeichnung Denominação	Description Beschrijving	L.C.
1		PU12P00016P1		1	MUFFLER SILENCIADOR	SILENZIATORE LYDDAEMPER	SCHALLDÄMPFER SILENCIADOR	SILENCIEUX KNALPOT	160S
2		PU12P01016P1		1	PIPE, EXHAUST SYSTEM TUBO DE ESCAPE	TUBO DI SCARICO RØR, UdstødningS Sy	AUSPUFFROHR TUBO ESCAPE	TUBE ECHAPPEMENT PIJP, UITLAATSYSTEEM	198T
3		PW12P01031P1		1	CLAMP BORNE	MORSETTO SPÆNDEBÅND	KLEMME BORNE	BRIDE KLEM	120M
4		PU12P01017P1		1	PLATE PLACA	PIASTRA PLADE	BLECH, PLATTE CHAPA	PLAQUE PLAAT	105P
5		2420T2948D18		1	U-BOLT HORQUILLA	CAVALLOTTO HAARNAAL	BÜGELSCHRAUBE MOLA DE ENGATE	CAVALIER VEERKLEM	100C
6		ZM73C10025		4	BOLT TORNILLO	BULLONE SKRUE	SCHRAUBE PARAFUSO	BOULON BOUT	140B
7		ZN18C08007		9	NUT TUERCA	DADO MOETRIK	MUTTER PORCA	ECROU MOER	010D
8		ZW16H08000		8	WASHER ARANDELA	ROSETTA PIANA FLADSKIVE	UNTERLEGSCHIEBE ANILHA	RONDELLE SLUITRING	131R
9		ZS18C08060		1	SCREW TORNILLO	VITE SKRUE	SCHRAUBE PARAFUSO	VIS SCHROEF	040V
10		ZW26X08000		1	WASHER ARANDELA	ROSETTA PIANA FLADSKIVE	UNTERLEGSCHIEBE ANILHA	RONDELLE SLUITRING	131R
11		PU12P01019P1		1	GASKET JUNTA HERMETICA	GUARNIZIONE PAKNING	DICHTUNG, FLACH JUNTA	JOINT DICHTINGSSTUK	123G

E18SR



RADIATOR INSTALLATIONS  
INSTALLAZIONE RADIATORE  
KÜHLER  
INSTALLATIONS DU RADIATEUR



Thank you so much for reading.  
Please click the “Buy Now!”  
button below to download the  
complete manual.



After you pay.

You can download the most  
perfect and complete manual in  
the world immediately.

Our support email:

[ebooklibonline@outlook.com](mailto:ebooklibonline@outlook.com)