

 **NEW HOLLAND**



NEW HOLLAND

LB95.B

NEW HOLLAND KOBELCO

Parts
Catalog

Catalogo
parti
di ricambio

Catalogue
des pièces
détachées

Ersatzteilkatalog

Catálogo
de piezas
de repuesto

Print No 604.04.314.01
Printed in Italy

Parts Catalog

Catalogo parti
di ricambio

Catalogue
des pièces
détachées

Ersatzteilkatalog

Catálogo
de piezas
de repuesto

 **NEW HOLLAND**

LB95.B
NEW HOLLAND KOBELCO

PROVEN PERFORMANCE

0.021

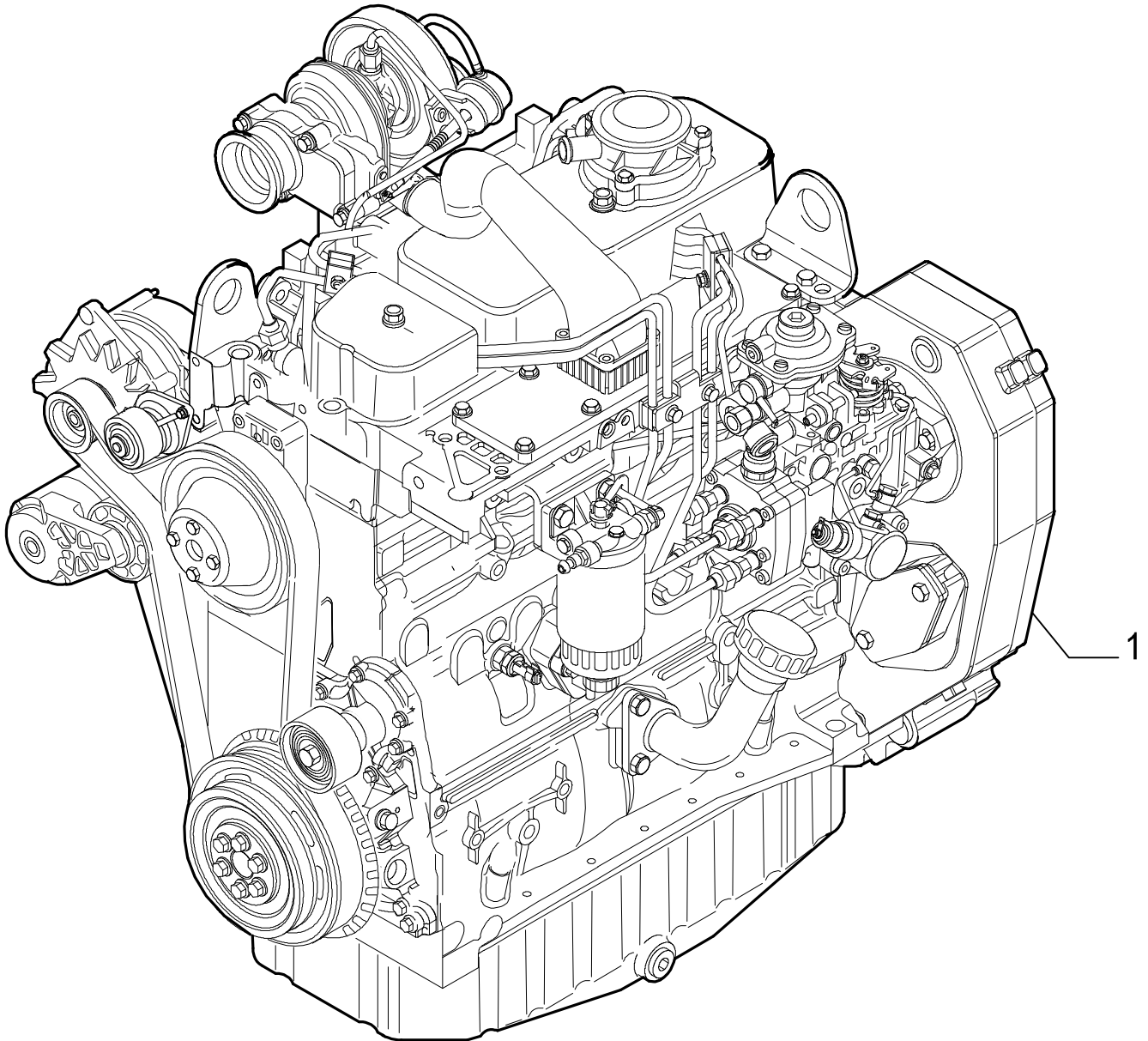
01

p1

12/05

ENGINE
MOTORE
MOTEUR
MOTOR

1



0.021

01

p1

12/05

MOTOR
MOTOR
MOTOR
MOTOR

R	N	P.N.	MOD	Q	Description Denominacion	Descrizione Denominação	Description Beschrijving	Bezeichnung Beskrivelse	L.C.
1	1	86990710		1	ENGINE, - ASSY MOTOR	MOTORE MOTOR	MOTEUR MOTOR	MOTOR MOTOR	130M
1		87342412		1	ENGINE, - ASSY MOTOR	MOTORE MOTOR	MOTEUR MOTOR	MOTOR MOTOR	130M

(1) Only for B95, B95LR, B95TC

LB95.B

1

0.040

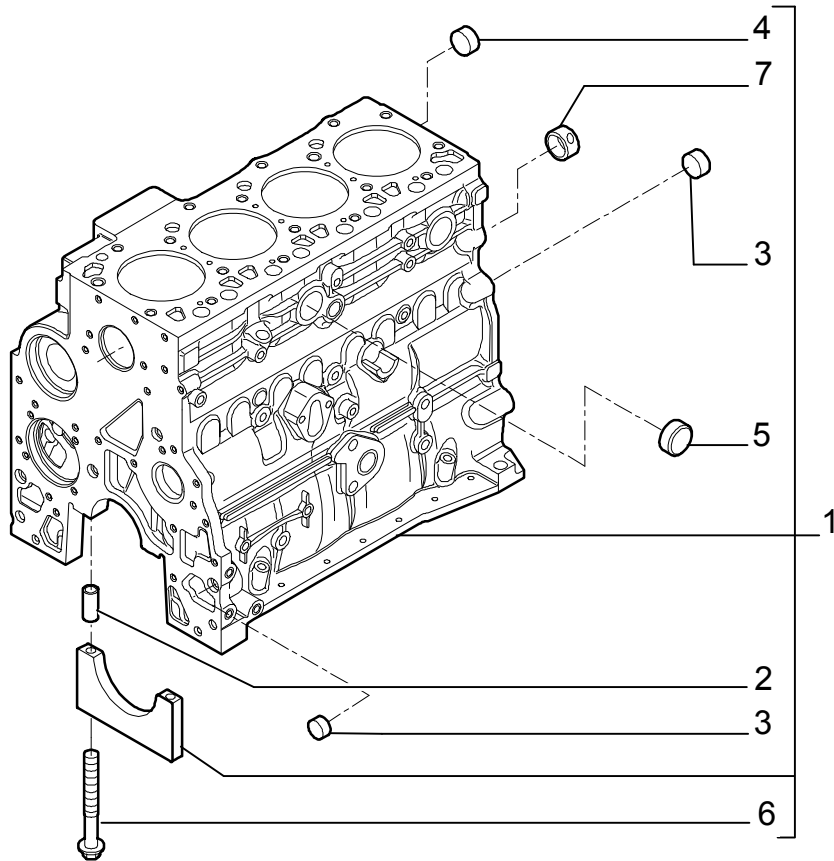
01

p1

12/05

CYLINDER BLOCK
BLOCCO CILINDRI
BLOC CYLINDRES
ZYLINDERBLOCK

1



0.040

01

p1

12/05

BLOQUE DE CILINDROS
 BLOCO DE CILINDRO
 CILINDERBLOK
 CYLINDERBLOK

R	N	P.N.	MOD	Q	Description Denominacion	Descrizione Denominação	Description Beschrijving	Bezeichnung Beskrivelse	L.C.
1		2830082		1	CYLINDER BLOCK, - ASSY BLOQUE DE CILINDROS	BASAMENTO MOTORE BLOCO DE MOTOR	BLOC MOTEUR MOTORBLOK	KURBELGEHAEUSE KRUMTAPHUS	020B
2		4899026		10	DOWEL PITON	GRANO GUIA	PION STEL PEN	ZENTRIERBOLZEN DYVEL	090G
3		4895039		3	PLUG, 17.73 mm OD TAPÓN	TAPPO BUJAO	BOUCHON PLUG	STOPFEN PROP	050T
4		4895038		4	PLUG, 58.06 mm OD TAPÓN	TAPPO BUJAO	BOUCHON PLUG	STOPFEN PROP	050T
5		4895228		2	PLUG, 35.23 mm OD TAPÓN	TAPPO BUJAO	BOUCHON PLUG	STOPFEN PROP	050T
6		4891353		10	SCREW, M12X120 TORNILLO	VITE PARAFUSO	VIS SCHROEF	SCHRAUBE SKRUE	040V
7		4895040		1	BUSHING CASQUILLO	BOCCOLA CASQUILHO	BAGUE LAGERBUS	BUECHSE BOESNING	095B

1

LB95.B

0.040

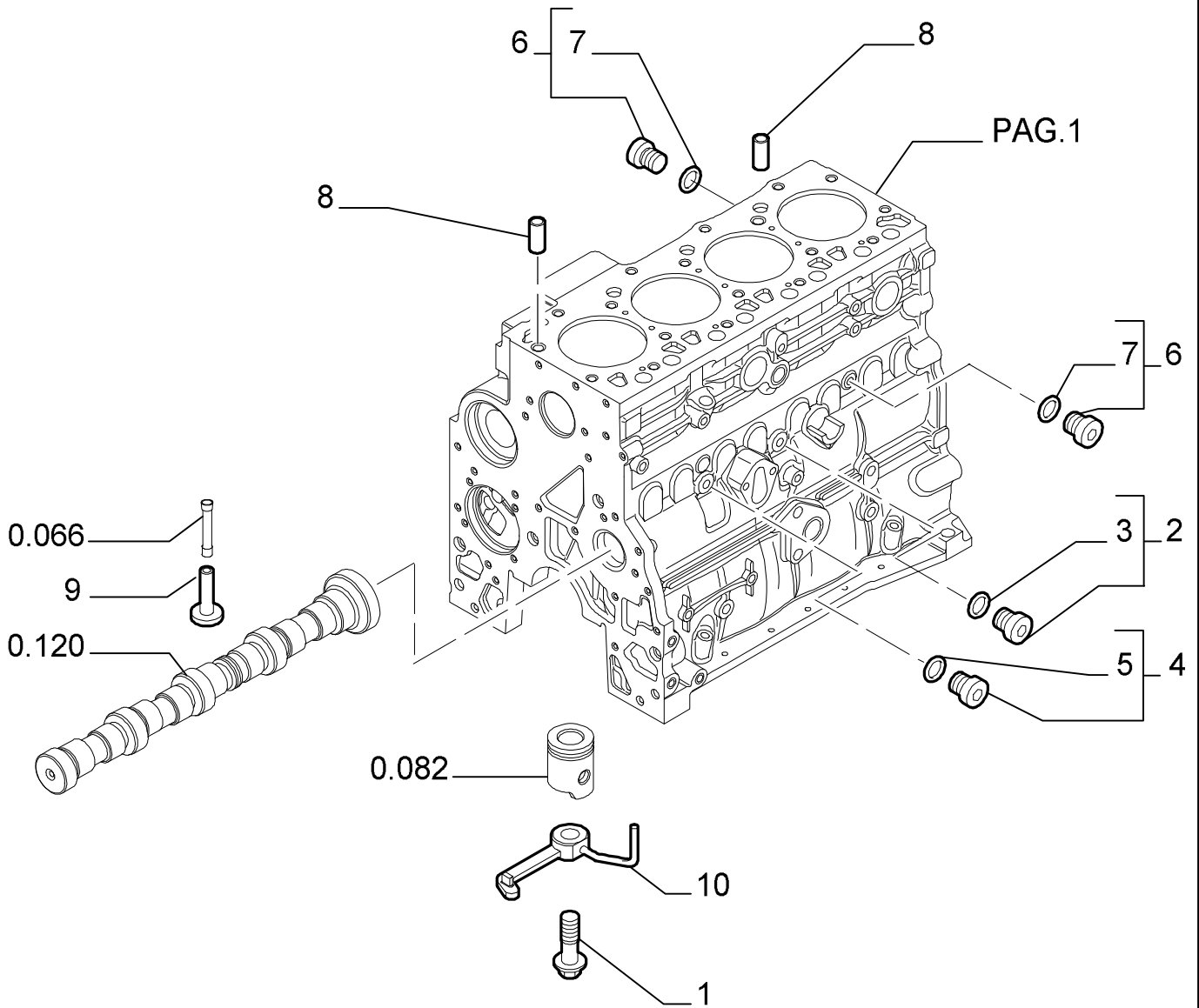
02

p1

12/05

CYLINDER BLOCK
BLOCCO CILINDRI
BLOC CYLINDRES
ZYLINDERBLOCK

1



Thank you so much for reading.
Please click the “Buy Now!”
button below to download the
complete manual.



After you pay.

You can download the most
perfect and complete manual in
the world immediately.

Our support email:

ebooklibonline@outlook.com