

# PARTS CATALOG

**Product Line**

**CATALOGO PARTI  
DI RICAMBIO**

**Model LS140 - LS150**

**CATALOGUE DES PIECES  
DETACHEES**

**ERSATZTEILKATALOG**

**CATÁLOGO DES PIEZAS  
DE REPUESTO**

**CATÁLOGO DE PEÇAS  
SOBRESSALENTES**

**ONDERDELENLIJST**

**RESERVEDELSKATALOG**

**CATALOGUE n. 604.04.320.00**  
1<sup>st</sup> Edition 05 - 2005

 **NEW HOLLAND**

---

# TABLE OF CONTENTS

---

00.00	MAIN SECTIONS PICTORIAL INDEX
AAA	RECOMMENDED INITIAL PARTS STOCK LIST FOR 5 MACHINES
00.01	ENGINE PICTORIAL INDEX
01.00	ENGINE PICTORIAL INDEX
01.01	ENGINE
01.02	CYLINDER BLOCK
01.03	BLOCK HEATER KIT
01.04	CYLINDER HEAD
01.04.01	CYLINDER HEAD, LS140/LS150, TIER 2
01.05	VALVE COVER
01.05.01	VALVE COVER- LS140/LS150, TIER 2
01.06	ROCKER ARMS
01.06.01	ROCKER ARMS, LS140/LS150, TIER 2
01.07	CAMSHAFT
01.08	CRANKSHAFT & PISTONS
01.11	INTAKE MANIFOLD
01.12	EXHAUST MANIFOLD
01.13	TIMING GEAR CASE, GOVERNOR
01.14	OIL PAN & DIPSTICK
01.15	OIL PUMP & SUCTION FILTER
01.17	FUEL INJECTION SYSTEM
01.18	INJECTION PUMP
01.19	INJECTOR
01.20	WATER PUMP & RELATED PARTS
07.09.02	BUCKET CIRCUIT CHECK VALVE
00.02	ENGINE ATTACHING EQUIPMENT PICTORIAL INDEX
02.00	ENGINE ATTACHING EQUIPMENT PICTORIAL INDEX
02.01	MOUNTS & TRANSMISSION AREA
02.02	FLYWHEEL, BELL HOUSING & STARTER
02.03	STARTER
02.04	ALTERNATOR
02.04.01	ALTERNATOR
02.06	FAN, MUFFLER & AIR CLEANER
02.07	AIR CLEANER
02.08	MUFFLER OPTIONS
02.09	RADIATOR
02.10	FUEL TANK
00.03	HYDROSTATIC DRIVE PICTORIAL INDEX
03.00	HYDROSTATIC DRIVE PICTORIAL INDEX
03.01	FINAL DRIVE
03.02	TRANSMISSION CENTERING
03.04	HYDROSTATIC PUMP & MOTOR
03.04.01	HYDROSTATIC CASE DRAIN
03.06.01	PISTON PUMP, FRONT
03.06.02	PISTON PUMP, REAR
03.07	HYDROSTATIC MOTOR
03.08.01	BRAKE
03.08.02	BRAKE, ON ROAD, EUROPE
00.06	ELECTRICAL PICTORIAL INDEX
06.00	ELECTRICAL PICTORIAL INDEX
06.01	MAIN ELECTRIC
06.01.01	ELECTRIC POWER KIT
06.02.01	CAB ELECTRIC, NORTH AMERICA
06.02.02	CAB ELECTRIC, EUROPE
06.03.01	HORN & TURN SIGNAL, BSN

---

# TABLE OF CONTENTS

---

06.03.01	02	HORN & TURN SIGNAL, ASN
06.03.03		4-WAY FLASHERS
06.03.05		BEACON KIT & MISCELLANEOUS PARTS
06.03.06		ROAD & WORK LIGHT KIT
06.03.07		REAR LIGHT BAR, ON ROAD, EUROPE
06.03.08		FRONT HEADLAMP, ON ROAD, EUROPE
06.04		CHASSIS ELECTRIC
06.04.01		BACK-UP ALARM KIT
06.05		ENGINE ELECTRIC
00.07		HYDRAULIC SYSTEM PICTORIAL INDEX
07.00		HYDRAULIC SYSTEM PICTORIAL INDEX
07.01.01		BUCKET HYDRAULICS
07.01.03		BOOM HYDRAULICS
07.01.05		CONNECT UNDER PRESSURE COUPLERS
07.02.01		BUCKET CYLINDER
07.02.02		BOOM CYLINDER, LS140
07.02.03		BOOM CYLINDER, LS150
07.03		HYDRAULIC GEAR PUMP
07.04.01		CONTROL VALVE HYDRAULICS
07.04.02		CONTROL VALVE, HAND & FOOT CONTROLS
07.05		HYDRAULIC RESERVOIR, FILTER & OIL COOLER
00.08		SHEET METAL / DECALS PICTORIAL INDEX
08.00		SHEET METAL / DECALS PICTORIAL INDEX
08.01		REAR HOOD
08.02		FENDERS
08.03		SLOW MOVING VEHICLE EMBLEM KIT
08.04.01		DECALS, NORTH AMERICA
08.04.02		DECALS, EUROPE
00.09		BOOM & BUCKET PICTORIAL INDEX
09.00		BOOM & BUCKET PICTORIAL INDEX
09.01		BOOM
09.02		BOOM, ON ROAD, EUROPE
09.03		BOOM LOCK
09.04		MOUNTING PLATE
00.10		CAB, OPERATOR'S PLATFORM, & CONTROLS PICTORIAL INDEX
10.00		CAB, OPERATOR'S PLATFORM & CONTROLS PICTORIAL INDEX
10.01		CAB
10.01.01		FIRE EXTINGUISHER, MIRROR & FLOOR PLATE KITS
10.02.01		HEADLINER, OLD STYLE (-6/02)
10.02.02		HEADLINER, NEW STYLE (6/02-)
10.02.03		HEADLINER, CAB HEATER, OLD STYLE (-6/02)
10.02.04		HEADLINER, CAB HEATER, NEW STYLE (6/02-)
10.03		CAB HEATER
10.03.01		HEATER KIT
10.04		THRESHOLD & CAB WINDOWS, EUROPE
10.05.01		CAB ENCLOSURE KIT, DOOR FRAME & WINDOWS
10.05.02		CAB ENCLOSURE KIT, DOOR ATTACHING & WIRING
10.05.03		CAB ENCLOSURE KIT, DOOR & WIPER MOTOR
10.06		SIDE WINDOWS
10.08		DEMOLITION DOOR KIT
10.09		THROTTLE CONTROL
10.10		FOREARM REST
10.11.01		SEAT
10.11.01	A	SEAT, STANDARD
10.11.02		SEAT, SUSPENSION

---

# TABLE OF CONTENTS

---

10.11.02	A	SEAT, SUSPENSION
10.11.04		ARM PAD & ARMREST KIT
10.12.01		BOOM & BUCKET FOOT CONTROL, HYDROSTATIC LEVERS
10.12.02		BOOM & BUCKET FOOT CONTROL, KICK PANEL, LH
10.12.03		BOOM & BUCKET FOOT CONTROL, KICK PANEL, RH
10.15.01		BOOM & BUCKET FOOT CONTROL, PEDALS
10.15.02		BOOM & BUCKET HAND CONTROL, PEDALS
10.16.01		BOOM & BUCKET HAND CONTROL, HYDROSTATIC LEVERS
10.16.02		BOOM & BUCKET HAND CONTROL, KICK PANEL, LH
10.16.03		BOOM & BUCKET HAND CONTROL, KICK PANEL, RH
10.16.04		BOOM & BUCKET HAND CONTROL, TUNNEL COMPONENTS, 1/2" ROD THREADS
10.19		BOOM & BUCKET CONTROL, HANDLE CONTROL KIT
00.11		WHEELS & TIRES PICTORIAL INDEX
11.00		WHEELS & TIRES PICTORIAL INDEX
11.01		WHEELS & TIRES
00.12		CHASSIS PICTORIAL INDEX
12.00		CHASSIS PICTORIAL INDEX
12.01		CHASSIS
12.02		COUNTERWEIGHT KIT
00.18		ACCESSORIES & KITS PICTORIAL INDEX
18.00		ACCESSORIES & KITS PICTORIAL INDEX
18.01		CAB JACK KIT
18.02		TOOLS, THREADED INSERT
00.19		ATTACHMENTS PICTORIAL INDEX
19.00		ATTACHMENTS PICTORIAL INDEX
19.01		BUCKETS & DIRT TOOTH KIT
19.02		UTILITY FORK & UNIVERSAL MOUNTING PLATE
19.03		TOOTH BARS
19.04		PALLET FORK & 2 PIECE MOUNTING ASSEMBLY
19.05		PALLET FORK & 1 PIECE MOUNTING ASSEMBLY
19.06		EUROPEAN ATTACHMENTS
AAA	01	PAINT

---

# SECTION INDEX

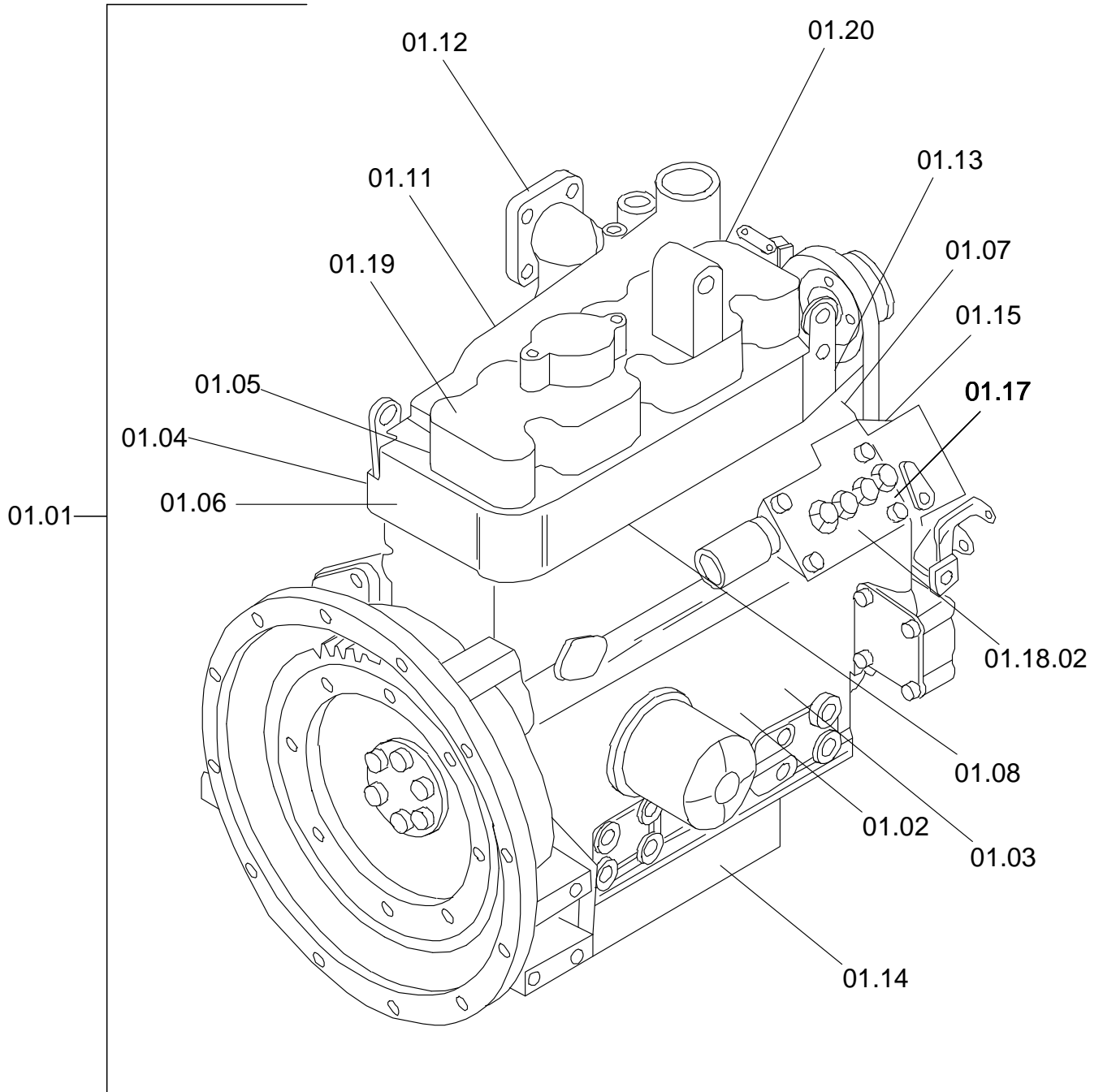
---

00.01	ENGINE PICTORIAL INDEX
01.00	ENGINE PICTORIAL INDEX
01.01	ENGINE
01.02	CYLINDER BLOCK
01.03	BLOCK HEATER KIT
01.04	CYLINDER HEAD
01.04.01	CYLINDER HEAD, LS140/LS150, TIER 2
01.05	VALVE COVER
01.05.01	VALVE COVER- LS140/LS150, TIER 2
01.06	ROCKER ARMS
01.06.01	ROCKER ARMS, LS140/LS150, TIER 2
01.07	CAMSHAFT
01.08	CRANKSHAFT & PISTONS
01.11	INTAKE MANIFOLD
01.12	EXHAUST MANIFOLD
01.13	TIMING GEAR CASE, GOVERNOR
01.14	OIL PAN & DIPSTICK
01.15	OIL PUMP & SUCTION FILTER
01.17	FUEL INJECTION SYSTEM
01.18	INJECTION PUMP
01.19	INJECTOR
01.20	WATER PUMP & RELATED PARTS
07.09.02	BUCKET CIRCUIT CHECK VALVE

ENGINE PICTORIAL INDEX

MOTORE  
MOTEUR  
MOTOR

1



MOTOR  
MOTOR  
MOTOR  
MOTOR

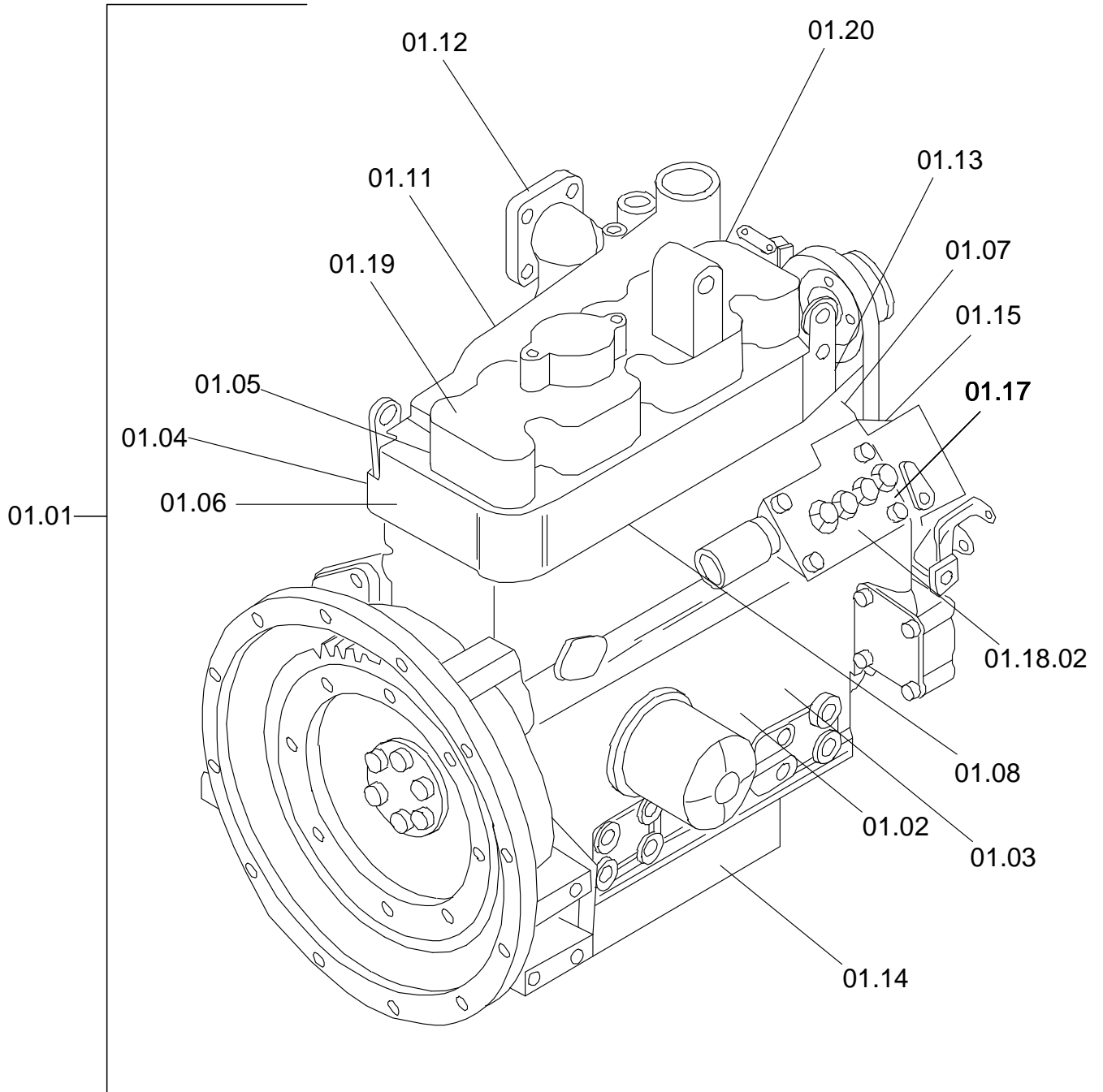
R	N	P.N.	MOD	Q	Description Denominacion	Descrizione Denominação	Description Beschrijving	Bezeichnung Beskrivelse	L.C.

**LS140 LS150**

ENGINE PICTORIAL INDEX

MOTORE  
MOTEUR  
MOTOR

1





**01.00**

p1

07/01

MOTOR  
MOTOR  
MOTOR  
MOTOR

R	N	P.N.	MOD	Q	Description Denominacion	Descrizione Denominação	Description Beschrijving	Bezeichnung Beskrivelse	L.C.
							<b>LS140 LS150</b>		

1

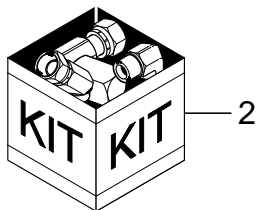
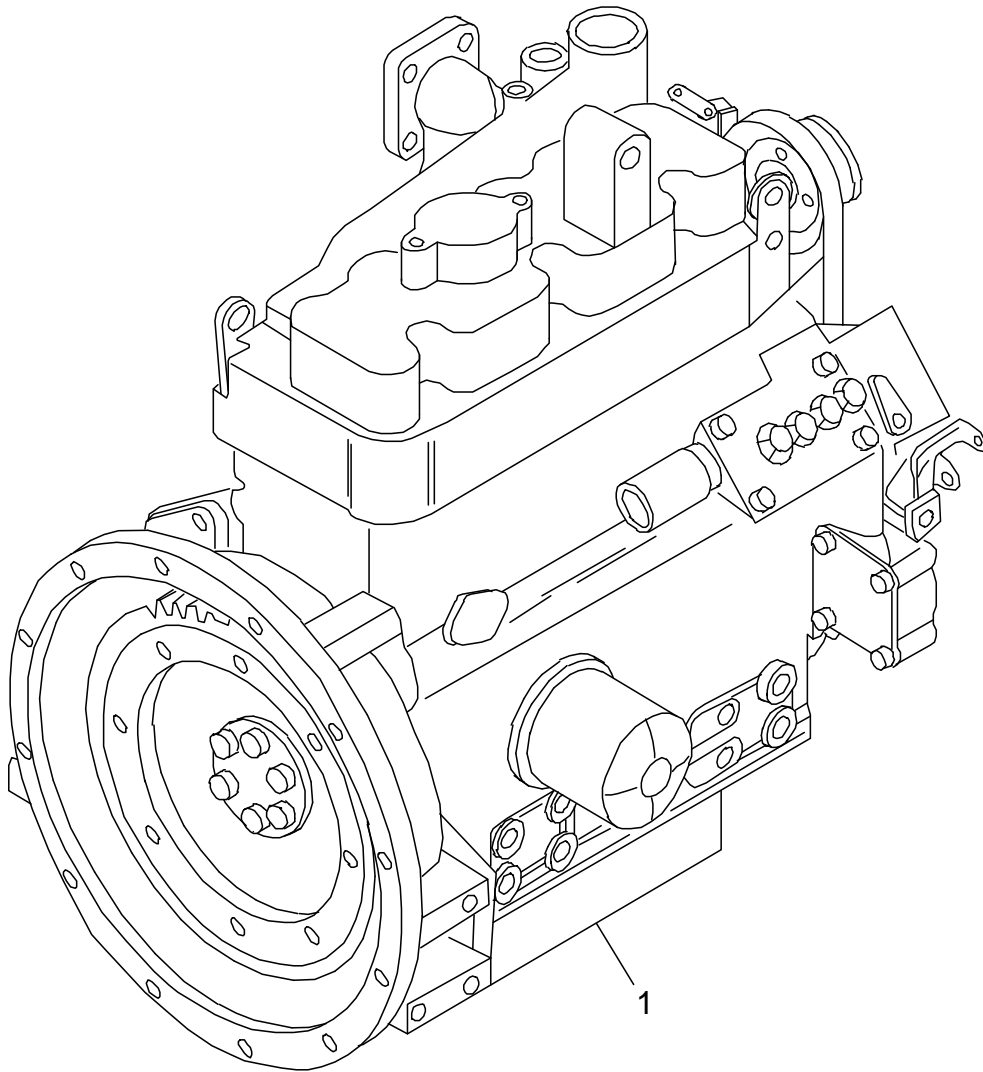
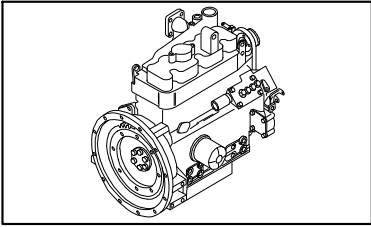
01.01

p1

08/03

ENGINE  
MOTORE  
MOTEUR  
MOTOR

1



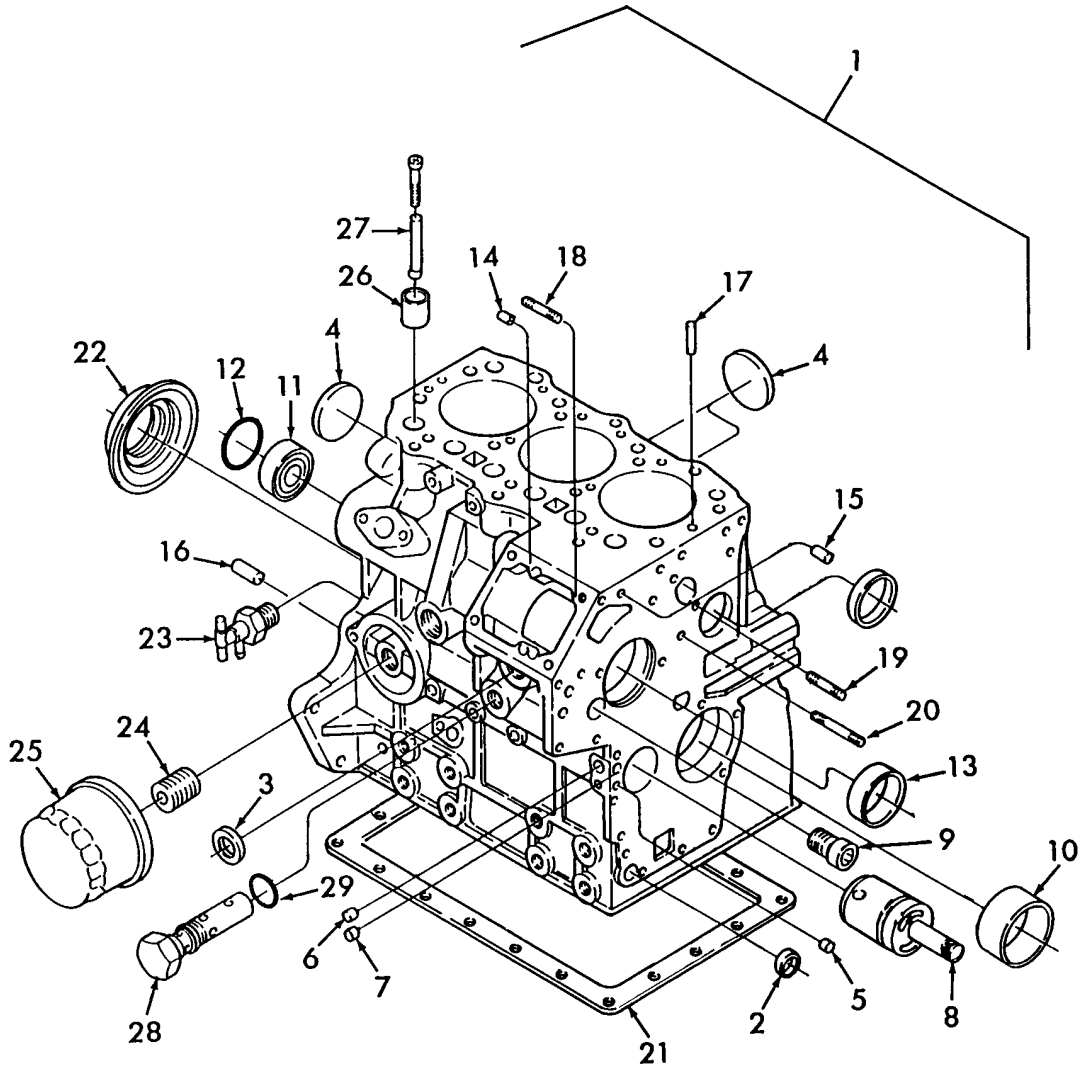
MOTOR  
MOTOR  
MOTOR  
MOTOR

R	N	P.N.	MOD	Q	Description Denominacion	Descrizione Denominação	Description Beschrijving	Bezeichnung Beskrivelse	L.C.
1		86557218		1	ENGINE ISM, LS140; Before Engine S/N 76992	MOTORE	MOTEUR	MOTOR	130M
					MOTOR	MOTOR	MOTOR	MOTOR	
1		86627330		1	ENGINE ISM, LS140; After Engine S/N 76993	MOTORE	MOTEUR	MOTOR	130M
					MOTOR	MOTOR	MOTOR	MOTOR	
1		87028479		1	ENGINE ISM, LS140; Tier 2 Engine	MOTORE	MOTEUR	MOTOR	130M
					MOTOR	MOTOR	MOTOR	MOTOR	
1		86557219		1	ENGINE ISM, LS150; Before Engine S/N 74975	MOTORE	MOTEUR	MOTOR	130M
					MOTOR	MOTOR	MOTOR	MOTOR	
1		86627331		1	ENGINE ISM, LS150; After Engine S/N 74976	MOTORE	MOTEUR	MOTOR	130M
					MOTOR	MOTOR	MOTOR	MOTOR	
1		87028480		1	ENGINE ISM, LS150; Tier 2 Engine	MOTORE	MOTEUR	MOTOR	130M
					MOTOR	MOTOR	MOTOR	MOTOR	
1A		87770017		1	BLOCK Long, LS140; Before Engine S/N 76992	BLOCCHETTO	BLOC	BLOCK	074B
					BLOQUE MOTOR	BLOCO	BLOK	STOPKLODS	
1A		87770031		1	BLOCK Long, LS150; Before Engine S/N 74975	BLOCCHETTO	BLOC	BLOCK	074B
					BLOQUE MOTOR	BLOCO	BLOK	STOPKLODS	
2		87760645		1	KIT, ENGINE OVERHAUL Gaskets, LS140	KIT REVISIONE MOTORE	KIT REVISION MOTEUR	MOTORREPARATURSATZ002K	
					JUEGO DE REVISION	KIT COMPLETO REVISAO	ONDERHOUDSKIT, MOTOREVISIONSSAET		
2		87760648		1	KIT, ENGINE OVERHAUL Gaskets, LS150	KIT REVISIONE MOTORE	KIT REVISION MOTEUR	MOTORREPARATURSATZ002K	
					JUEGO DE REVISION	KIT COMPLETO REVISAO	ONDERHOUDSKIT, MOTOREVISIONSSAET		

**LS140 LS150**

CYLINDER BLOCK  
BASAMENTO MOTORE  
BLOC MOTEUR  
KURBELGEHÄUSE

1



**BLOQUE DE CILINDROS**  
**BLOCO DE MOTOR**  
**MOTORBLOK**  
**KRUMTAPHUS**

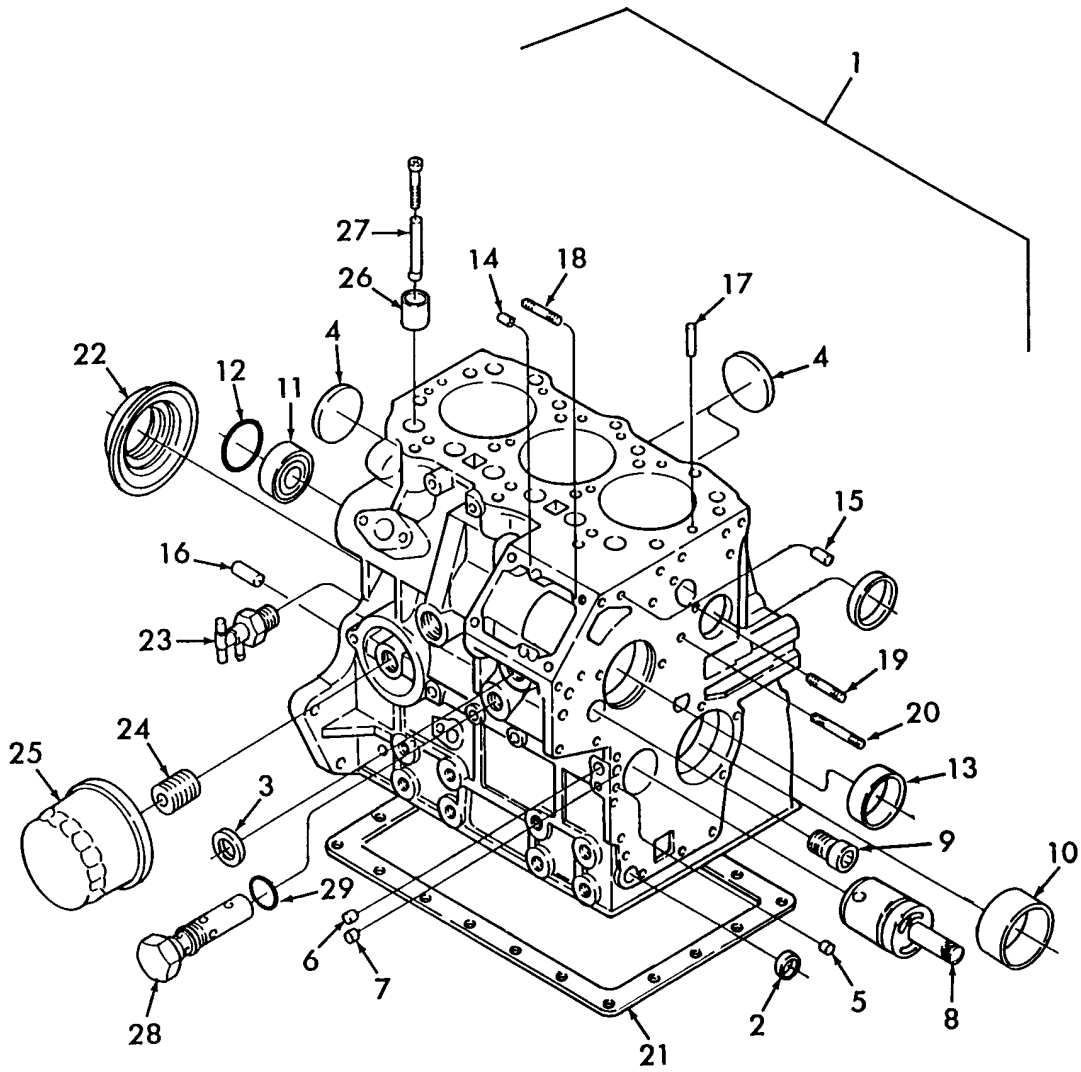
R	N	P.N.	MOD	Q	Description Denominacion	Descrizione Denominação	Description Beschrijving	Bezeichnung Beskrivelse	L.C.
1	1	87761721		1	BLOCK Includes: Ref. 2 thru 20	BLOCCHETTO	BLOC	BLOCK	074B
					BLOQUE MOTOR	BLOCO	BLOK	STOPKLODS	
2		83941961		1	CAP	TAPPO SERBATOIO	CHAPEAU	KAPPE	052T
					TAPON DEL DEPOSITO	TAMPAO DE RESERVAIO	RESERVOIRDOP	TANKDAEKSEL	
3		83920073		1	CAP	TAPPO SERBATOIO	CHAPEAU	KAPPE	052T
					TAPON DEL DEPOSITO	TAMPAO DE RESERVAIO	RESERVOIRDOP	TANKDAEKSEL	
4		83920074		4	PLUG	TAPPO	BOUCHON	STOPFEN	050T
					TAPÓN	BUJAO	PLUG	PROP	
5		83920423		2	PLUG	TAPPO	BOUCHON	STOPFEN	050T
					TAPÓN	BUJAO	PLUG	PROP	
5		83920425		2	PLUG Plug, 6.2mm, LS150	TAPPO	BOUCHON	STOPFEN	050T
					TAPÓN	BUJAO	PLUG	PROP	
6		83920424		3	PLUG	TAPPO	BOUCHON	STOPFEN	050T
					TAPÓN	BUJAO	PLUG	PROP	
7		83920425		4	PLUG	TAPPO	BOUCHON	STOPFEN	050T
					TAPÓN	BUJAO	PLUG	PROP	
7		83920423		4	PLUG LS150	TAPPO	BOUCHON	STOPFEN	050T
					TAPÓN	BUJAO	PLUG	PROP	
8		87761433		1	SHAFT Idler Gear	ALBERO	ARBRE	WELLE	016A
					EJE	VEIO	AS	AKSEL	
9	1	83938015		1	BUSHING	BOCCOLA	BAGUE	BUECHSE	095B
					CASQUILLO	CASQUILHO	LAGERBUS	BOESNING	
10		83967141		1	BUSHING Std	BOCCOLA	BAGUE	BUECHSE	095B
					CASQUILLO	CASQUILHO	LAGERBUS	BOESNING	
10		83967142		1	BUSHING .1" (.25 mm), U/S	BOCCOLA	BAGUE	BUECHSE	095B
					CASQUILLO	CASQUILHO	LAGERBUS	BOESNING	
10		83967143		1	BUSHING .2" (.5 mm), U/S	BOCCOLA	BAGUE	BUECHSE	095B
					CASQUILLO	CASQUILHO	LAGERBUS	BOESNING	
11		83920543		1	BEARING, BALL	CUSCINETTO A SFERA	ROULEMENT A BILLES	KUGELLAGER	343C
					RODAMIENTO DE BOLAS	ROLAMENTO	LAGER, KOGEL	KUGLELEJE	
12		83920069		1	PLUG Expansion	TAPPO	BOUCHON	STOPFEN	050T
					TAPÓN	BUJAO	PLUG	PROP	
13		83966655		1	BEARING ASSY	CUSCINETTO	ROULEMENT	LAGER KOMPLETT	341C
					COJINETE	ROLAMENTO	LAGER	LEJE	
14		83920050		2	PIN Dowel	PERNO	AXE	BOLZEN	080P
					PERNO	PERNO	PEN	STIFT	
15		83938021		2	PIN Dowel	PERNO	AXE	BOLZEN	080P
					PERNO	PERNO	PEN	STIFT	
16		83920052		2	PIN Dowel	PERNO	AXE	BOLZEN	080P
					PERNO	PERNO	PEN	STIFT	
17		83938022		2	PIN Spring	PERNO	AXE	BOLZEN	080P
					PERNO	PERNO	PEN	STIFT	
18		87760726		2	BOLT	BULLONE	BOULON	SCHAUBENBOLZEN	140B
					TORNILLO	PARAFUSO	BOUT	SKRUE	
19		87761444		1	BOLT	BULLONE	BOULON	SCHAUBENBOLZEN	140B
					TORNILLO	PARAFUSO	BOUT	SKRUE	

(1) Before Engine S/N: LS140, 76992; LS150, 74975

**LS140 LS150**

CYLINDER BLOCK  
BASAMENTO MOTORE  
BLOC MOTEUR  
KURBELGEHÄUSE

1



Thank you so much for reading.  
Please click the “Buy Now!”  
button below to download the  
complete manual.



After you pay.

You can download the most  
perfect and complete manual in  
the world immediately.

Our support email:

[ebooklibonline@outlook.com](mailto:ebooklibonline@outlook.com)