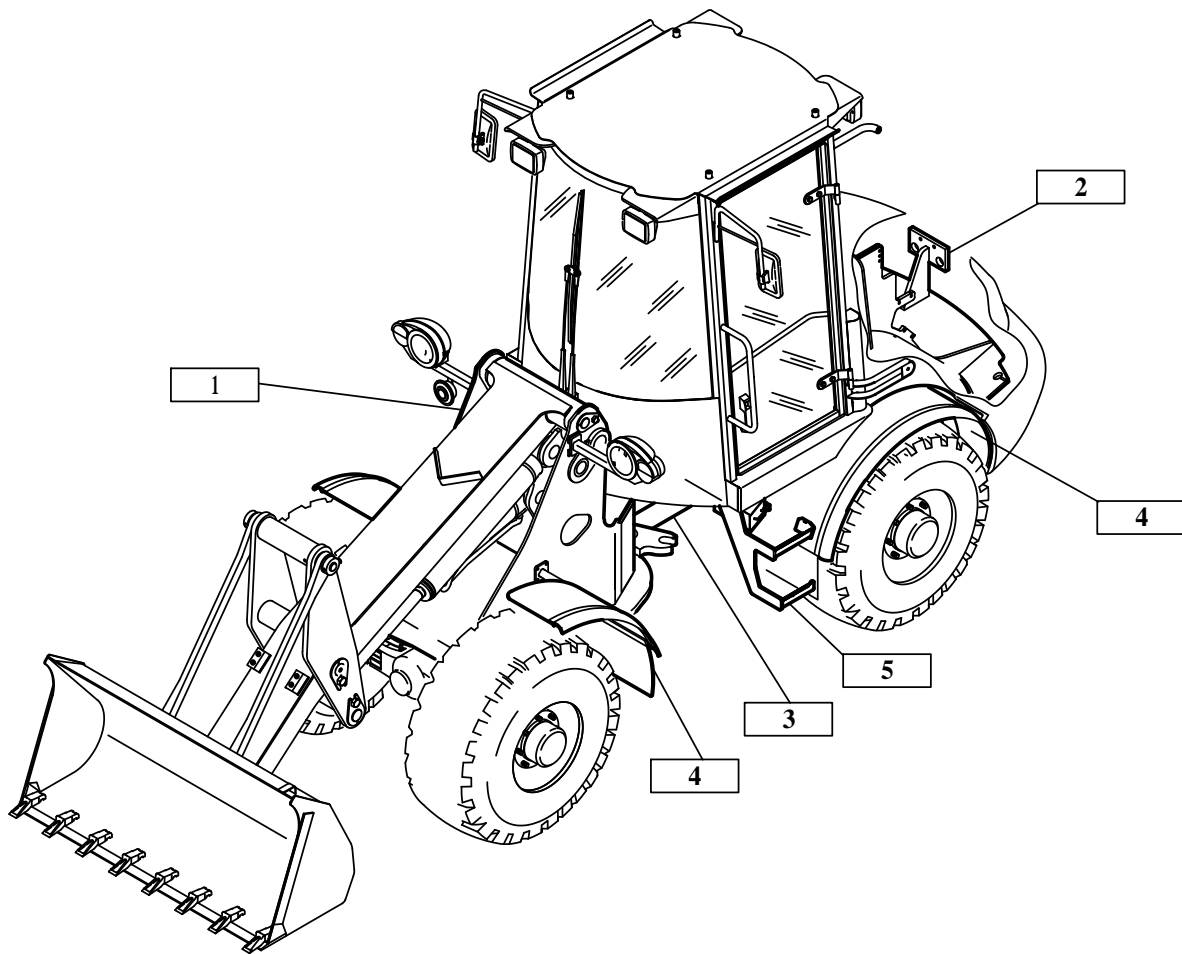


FRAME BASIC MACHINE WITH MOUNT. PARTS
TELAIO MACCHINA BASE SERIE MONTAGGIO
CADRE ENGINE DE BASE AV. PIECES MONT.
RAHMEN GRUNDGERAET MIT ANBAUTEILEN

1



BASTIDOR APARATO BASE C. PIEZAS DE MONT

RAMME

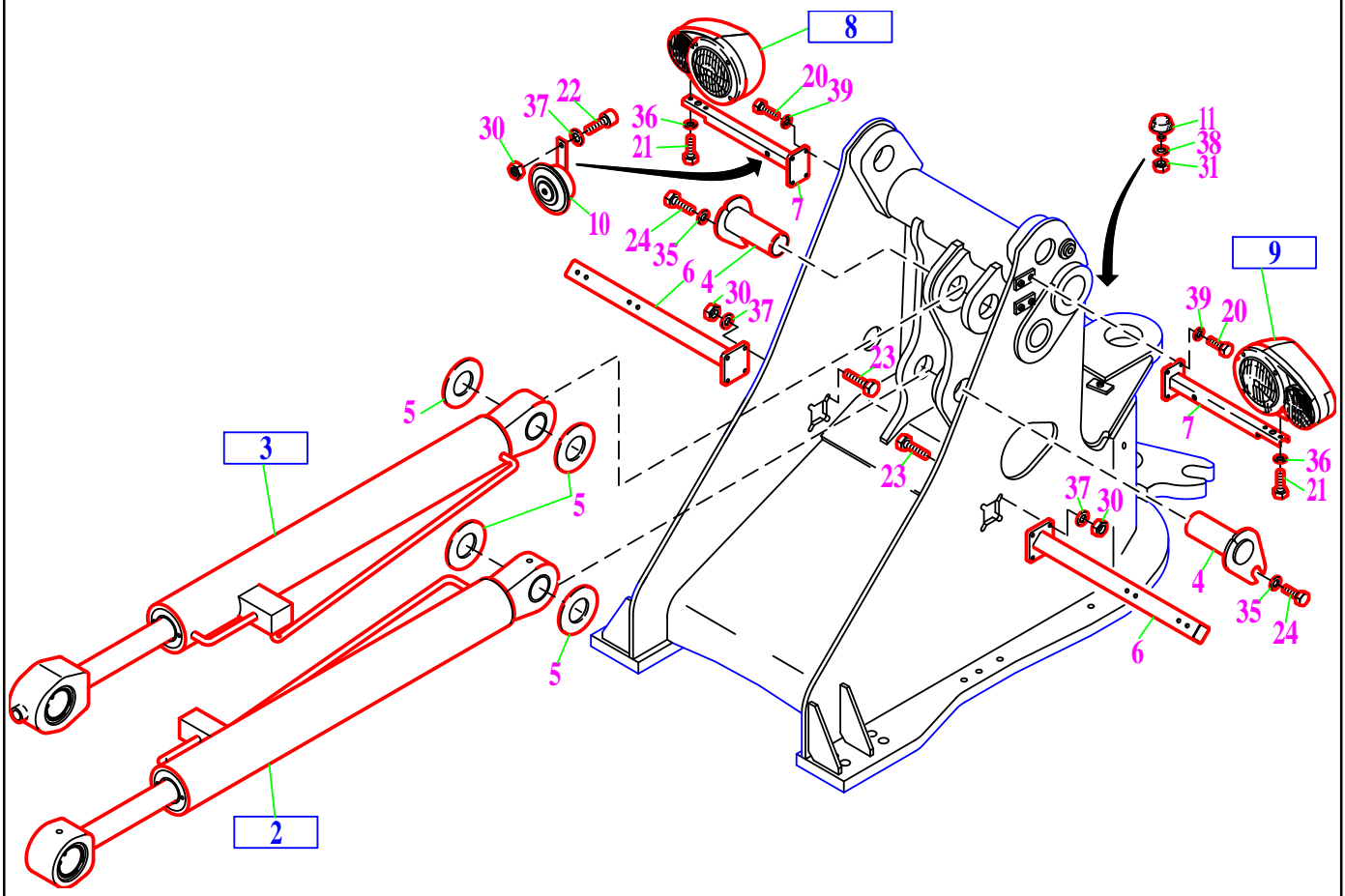
R	N	P.N.	MOD	Q	Description Denominacion	Descrizione Denominação	Description Beschrijving	Bezeichnung Beskrivelse	L.C.
1		NS		1	FRONT FRAME WITH MOUNT. PARTS SEE FIGURE 01.400/2991426000	NON GESTITO	NON FOURNI	KEIN ERSATZTEIL	061N
					NO SE REPARA	NOT SERVICED	NIET GESTOCKEERD	NOT SERVICED	
2		NS		1	REAR FRAME WITH MOUNT. PARTS SEE FIGURE 01.500/2991423000	NON GESTITO	NON FOURNI	KEIN ERSATZTEIL	061N
					NO SE REPARA	NOT SERVICED	NIET GESTOCKEERD	NOT SERVICED	
3		NS		1	JOINT PARTS FRAME SEE FIGURE 01.450/2991419000	NON GESTITO	NON FOURNI	KEIN ERSATZTEIL	061N
					NO SE REPARA	NOT SERVICED	NIET GESTOCKEERD	NOT SERVICED	
4		NS		1	WHEEL COVER INSTALL.MATERIAL SEE FIGURE 01.680/2991454000	NON GESTITO	NON FOURNI	KEIN ERSATZTEIL	061N
					NO SE REPARA	NOT SERVICED	NIET GESTOCKEERD	NOT SERVICED	
5		NS		1	STEPS INSTALL.MATERIAL SEE FIGURE 01.810/2991945000	NON GESTITO	NON FOURNI	KEIN ERSATZTEIL	061N
					NO SE REPARA	NOT SERVICED	NIET GESTOCKEERD	NOT SERVICED	
990		{2772839}		AR	FRAME				

P5018 0001

W50TC W50TC

FRONT FRAME WITH MOUNT. PARTS
TELAIO ANTERIORE SERIE MONTAGGIO
CHASSIS AVANT AV. PIECES MONT.
VORDERRAHMEN MIT ANBAUTEILEN

1



BASTIDOR DELANTERO C. PIEZAS DE MONT

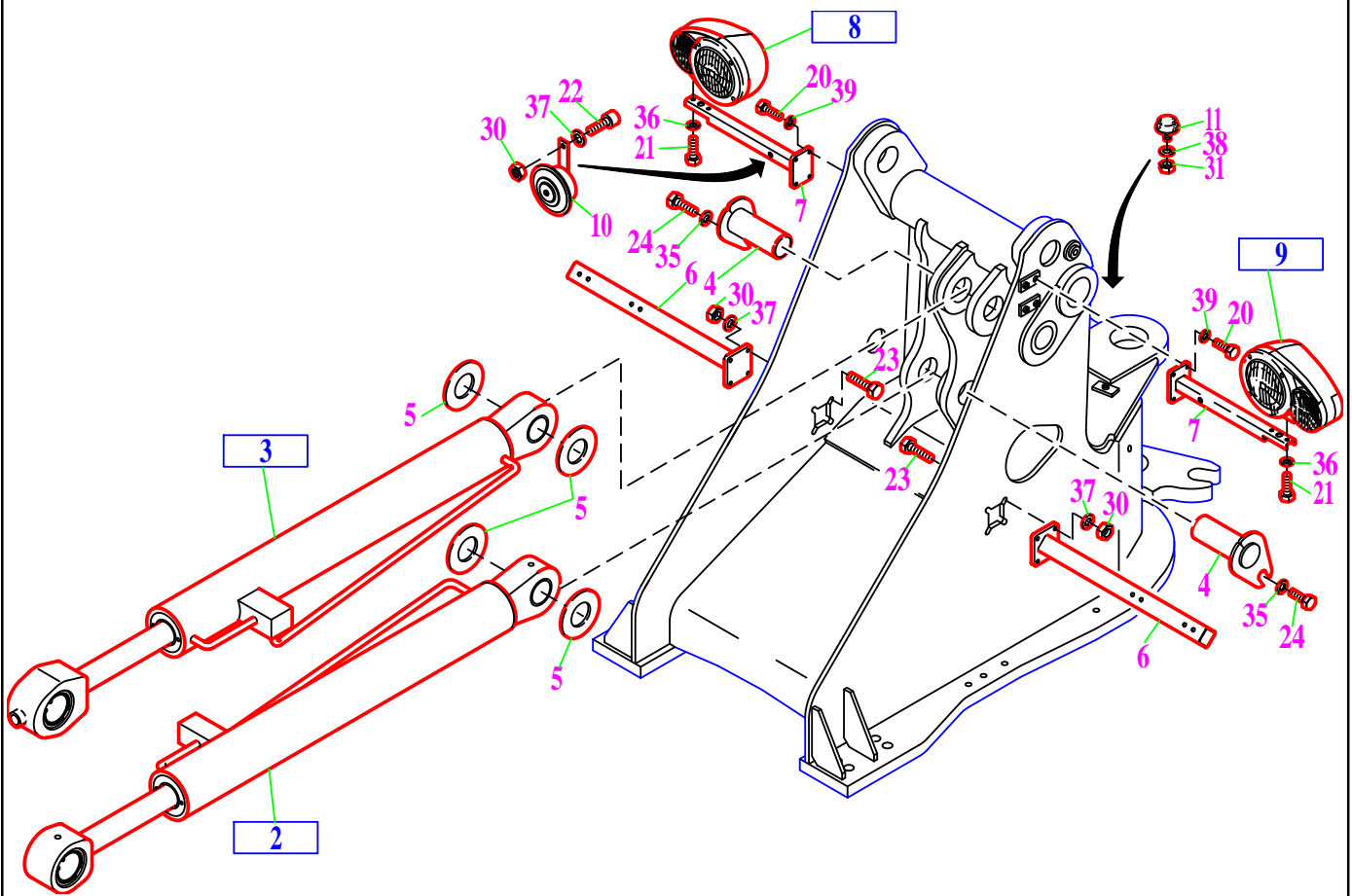
R	N	P.N.	MOD	Q	Description Denominacion	Descrizione Denominação	Description Beschrijving	Bezeichnung Beskrivelse	L.C.
2		NS		1	LIFT CYLINDER SEE FIGURE 24.072/2991449	NON GESTITO	NON FOURNI	KEIN ERSATZTEIL	061N
					NO SE REPARA	NOT SERVICED	NIET GESTOCKEERD	NOT SERVICED	
3		NS		1	TIP CYLINDER SEE FIGURE 24.082/2991450	NON GESTITO	NON FOURNI	KEIN ERSATZTEIL	061N
					NO SE REPARA	NOT SERVICED	NIET GESTOCKEERD	NOT SERVICED	
4		4554426		2	PIN	PERNO	AXE	BOLZEN	080P
					PERNO	PERNO	PEN	STIFT	
5		3032042		4	SHIM	SPESSORE	CALE D'EPAISSEUR	UNTERLEGSCHIEBE	198S
					SUPLEMENTO	CALCO DE AFINACAO	DIKTEPLAAT	MELLEMLÆG	
6		4554141		2	BRACKET	SUPPORTO	SUPPORT	HALTERUNG, LAGERBO	300S
					SOPORTE	SUPORTE	STEUN	BESLAG	
7		4554212		2	BRACKET	SUPPORTO	SUPPORT	HALTERUNG, LAGERBO	300S
					SOPORTE	SUPORTE	STEUN	BESLAG	
8		NS		1	ILLUMINATION FRONT MOUNTING PARTS RIGHT-HAND SEE FIGURE 32.201/2984502	NON GESTITO	NON FOURNI	KEIN ERSATZTEIL	061N
					NO SE REPARA	NOT SERVICED	NIET GESTOCKEERD	NOT SERVICED	
9		NS		1	ILLUMINATION FRONT MOUNTING PARTS LEFT-HAND SEE FIGURE 32.201/2984501	NON GESTITO	NON FOURNI	KEIN ERSATZTEIL	061N
					NO SE REPARA	NOT SERVICED	NIET GESTOCKEERD	NOT SERVICED	
10		2930338		1	HORN	AVVISATORE	AVERTISSEUR	WARNHORN	105A
					BOCINA	BUZINA	HOORN	HORN	
11		2929663		2	LIMIT STOP	ARRESTO	BUTÉE	STOPPVORRICHTUNG	080A
					DISPOSITIVO DE TOPE	BATENTE	STOOTSTUK	STOP	
20		378056		8	BOLT, Hex, M6 x 10, 8.8, Full Thd	VITE	VIS	SCHRAUBE	040V
					TORNILLO	PARAFUSO	SCHROEF	SKRUE	
21		336199		4	HEXAGON BOLT	VITE	VIS	SCHRAUBE	040V
					TORNILLO	PARAFUSO	SCHROEF	SKRUE	
22		2978297		1	CYL.HEAD SCREW	VITE	VIS	SCHRAUBE	040V
					TORNILLO	PARAFUSO	SCHROEF	SKRUE	
23		56662		8	HEXAGON BOLT	BULLONE	BOULON	SCHRAUBE	140B
					TORNILLO	PARAFUSO	BOUT	SKRUE	
24		300383		2	BOLT, Hex, M10 x 16, 8.8, Full Thd	BULLONE	BOULON	SCHRAUBE	140B
					TORNILLO	PARAFUSO	BOUT	SKRUE	
30		57127		9	HEXAGON NUT	DADO	ECROU	MUTTER	010D
					TUERCA	PORCA	MOER	MOETRIK	
31		57130		2	HEXAGON NUT	DADO	ECROU	MUTTER	010D
					TUERCA	PORCA	MOER	MOETRIK	
35		530811		2	DISK/WASHER	ROSETTA PIANA	RONDELLE	UNTERLEGSCHIEBE	131R
					ARANDELA	ANILHA	SLUITRING	FLADSKIVE	
36		2975165		4	DISK/WASHER	ROSETTA PIANA	RONDELLE	UNTERLEGSCHIEBE	131R
					ARANDELA	ANILHA	SLUITRING	FLADSKIVE	
37		2981701		17	DISK/WASHER	ROSETTA PIANA	RONDELLE	UNTERLEGSCHIEBE	131R
					ARANDELA	ANILHA	SLUITRING	FLADSKIVE	
38		2975164		2	DISK/WASHER	ROSETTA PIANA	RONDELLE	UNTERLEGSCHIEBE	131R
					ARANDELA	ANILHA	SLUITRING	FLADSKIVE	

2992646

W50TC W50TC

FRONT FRAME WITH MOUNT. PARTS
TELAIO ANTERIORE SERIE MONTAGGIO
CHASSIS AVANT AV. PIECES MONT.
VORDERRAHMEN MIT ANBAUTEILEN

1



Thank you so much for reading.
Please click the “Buy Now!”
button below to download the
complete manual.



After you pay.

You can download the most
perfect and complete manual in
the world immediately.

Our support email:

ebooklibonline@outlook.com