

Section: ENGINE
CRANK CASE

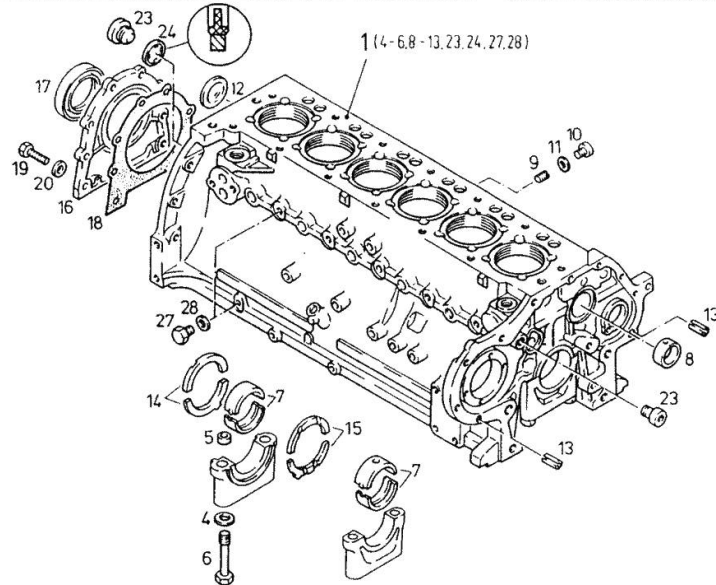
Fig.	P/n	QTY	Name
Notes: [AgroPrima 6.06]			
1	04156225	1	crankcase WITH ITEM 4-6,8-13,23,27,28.
4	01216107	14	washer 15x23x1,5 H 002308-15 X23X1,5
5	04160764	14	bushing
6	04156058	14	screw
7	03362379	7	bearing NORMAL (A)MM, UNDERSIZE STEP SEE ITEM(B) A = 70,00 (2.7559 INCH) B = 950-955
8	02139737	1	bushing
9	01215235	7	plug
10	01110422	6	screw DIN 000908-M12X1,5-ST
11	01118673	6	oil seal DIN 007603-A 12 X 15,5-CU
12	01216240	1	disc
13	01167266	2	bush H 002341-B11X16
14	02230181	1	shim NORMAL (A)MM, OVERDIMENSION LEVEL SEE ITEM (B) A = 3,00 MM (0.1181 INCH) B = 956-959
15	02230170	1	shim NORMAL (A)MM, OVERDIMENSION LEVEL SEE ITEM (B) A = 3,00 MM (0.1181 INCH) B = 960-963
16	02234870	1	cover
17	04230392	1	special oil seal
18	03362337	1	gasket
19	01112322	8	screw m 8 p.1.25 x 20 ISO 004017-M 8 X 20 - 8.8-A4C
20	01107101	8	washer 8.4 DIN 000125-A 8,4-140HV-A4C
23	04159934	2	screw
24	04159935	1	oil seal
27	01118998	5	screw



Kurbelgehäuse
 Crankcase
 Carter
 Carter

0150 - 01 - 0506 3053

3



Section: ENGINE
CRANK CASE

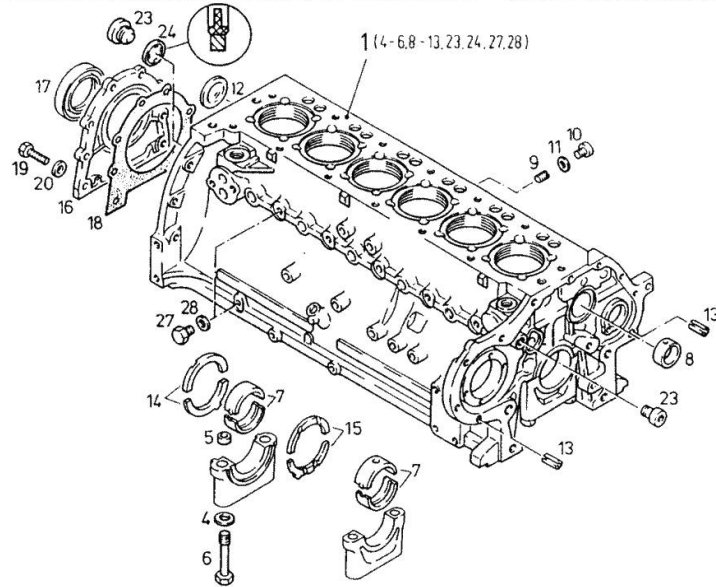
Fig.	P/n	QTY	Name
28	01118659	5	DIN 007604-CM10X1 -ST-A4C oil seal
103	01016120	1	DIN 007603-A 10 X 13,5-CU compound 1 kg
950	03362380	7	H 000699-DEUTZ DW 47- 310 ML bearing 1ST UNDERSIZE 69,75 MM RD (2.7461 INCH)
951	03362381	7	bearing 2ND UNDERSIZE 69,50 MM RD (2.7362 INCH)
952	03362382	7	bearing 3RD UNDERSIZE 69,25 MM RD (2.7263 INCH)
953	03362383	7	bearing 4TH UNDERSIZE 69,00 MM RD (2.7165 INCH)
954	03362384	7	bearing 5TH UNDERSIZE 68,75 MM RD (2.7067 INCH)
955	03362385	7	bearing 6TH UNDERSIZE 68,50 MM RD (2.6969 INCH)
956	02230182	1	shim 1ST OVERSIZE 3,25 MM (0.1279 INCH)
957	02230183	1	shim 2ND OVERSIZE 3,50 MM (0.11378 INCH)
958	02230184	1	shim 3RD OVERSIZE 3,75 MM (0.1476 INCH)
959	02230185	1	shim 4TH OVERSIZE 4,00 MM (0.1575 INCH)
960	02230172	1	shim 1ST OVERSIZE 3,25 MM (0.1279 INCH)
961	02230173	1	shim 2ND OVERSIZE 3,50 MM (0.1378 INCH)
962	02230174	1	shim 3RD OVERSIZE 3,75 MM (0.1476 INCH)



Kurbelgehäuse
 Crankcase
 Carter
 Carter

0150 -01 -0506 3053

3



Section: ENGINE
CRANK CASE

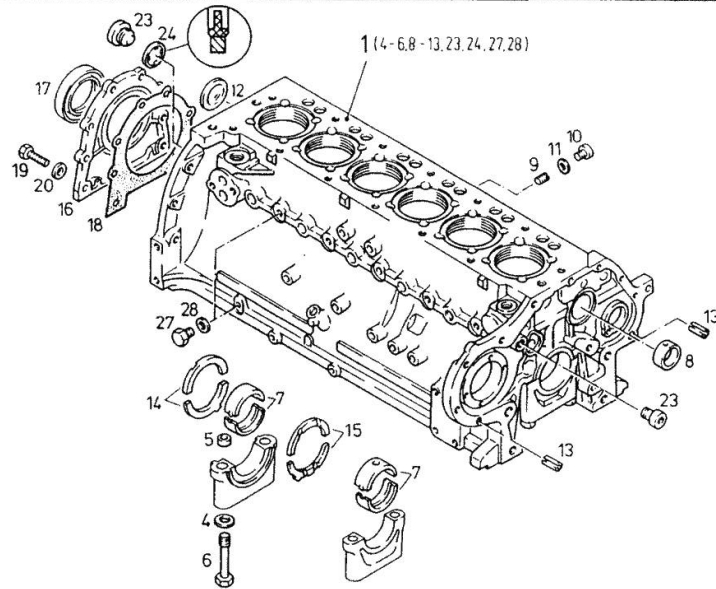
Fig.	P/n	QTY	Name
963	02230175	1	shim 4TH OVERSIZE 4,00 MM (0.1575 INCH)



Kurbelgehäuse
 Crankcase
 Carter
 Carter

0150 - 01 - 0506 3053

3



Section: ENGINE
CRANK CASE

Fig.	P/n	QTY	Name
------	-----	-----	------

Notes:
 [AgroPrima 6.06]

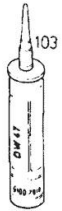
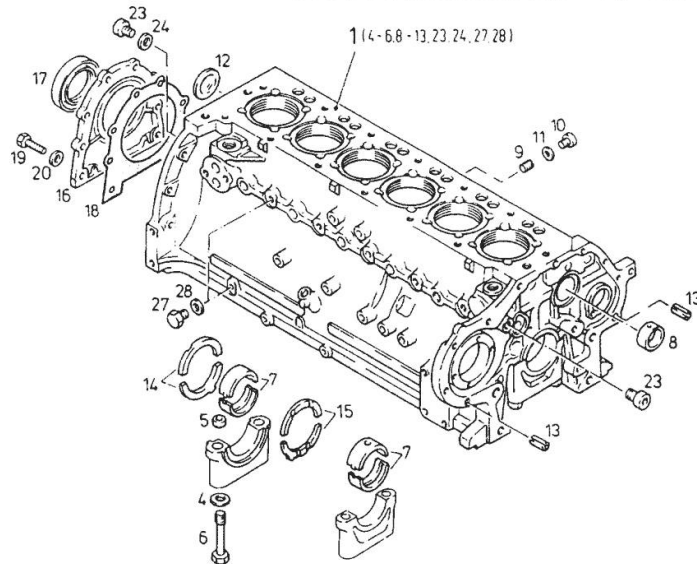
1	04156224	1	crankcase WITH ITEM 4-6,8-13,23,24,27,28,
4	01216107	14	washer 15x23x1,5 H 002308-15 X23X1,5
5	04160764	14	bushing
6	04156058	14	screw
7	03362379	7	bearing NORMAL (A)MM, UNDERSIZE STEP SEE ITEM(B) A = 70,00 (2.7559 INCH) B = 950-955
8	02139737	1	bushing
9	01215235	7	plug
10	01110422	6	screw DIN 000908-M12X1,5-ST
11	01118673	6	oil seal DIN 007603-A 12 X 15,5-CU
12	01216240	1	disc
13	01167266	2	bush H 002341-B11X16
14	02230181	1	shim NORMAL (A)MM, OVERDIMENSION LEVEL SEE ITEM (B) A = 3,00 (0.1181 INCH) B = 956-959
15	02230170	1	shim NORMAL (A)MM, OVERDIMENSION LEVEL SEE ITEM (B) A = 3,00 (0.1181 INCH) B = 960-963
16	02234870	1	cover
17	02234134	1	oil seal
18	03362337	1	gasket
19	01112322	8	screw m 8 p.1.25 x 20 ISO 004017-M 8 X 20 - 8.8-A4C
20	01107101	8	washer 8.4 DIN 000125-A 8,4-140HV-A4C
23	04159934	2	screw
24	04159935	1	oil seal
27	01118998	5	screw



Kurbelgehäuse
 Crankcase
 Carter
 Carter

0150-01-0506 3052

3



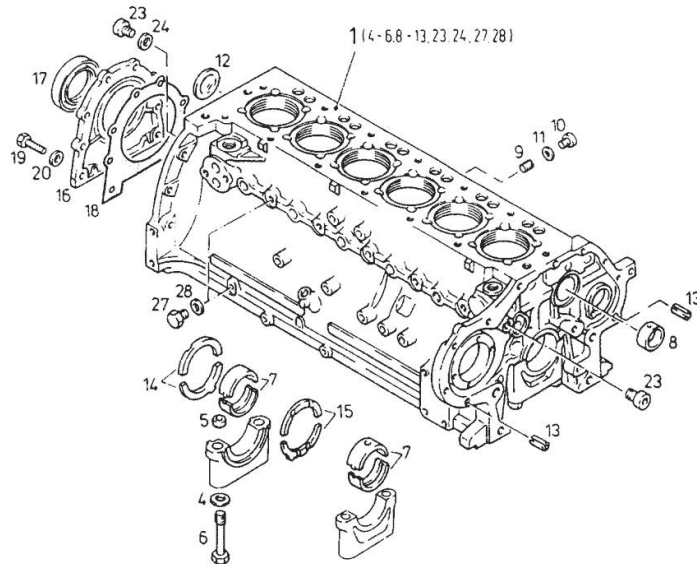
Section: ENGINE
CRANK CASE

Fig.	P/n	QTY	Name
28	01118659	5	DIN 007604-CM10X1 -ST-A4C oil seal
103	01016120	1	DIN 007603-A 10 X 13,5-CU compound 1 kg
950	03362380	7	H 000699-DEUTZ DW 47- 310 ML bearing 1ST UNDERSIZE 69,75 MM RD (2.7461 INCH)
951	03362381	7	bearing 2ND UNDERSIZE 69,50MM RD (2.7362 INCH)
952	03362382	7	bearing 3RD UNDERSIZE 69,25 MM RD (2.7263 INCH)
953	03362383	7	bearing 4TH UNDERSIZE 69,00 MM RD (2.7165 INCH)
954	03362384	7	bearing 5TH UNDERSIZE 68,75 MM RD (2.7067 INCH)
955	03362385	7	bearing 6TH UNDERSIZE 68,50 MM RD (2.6969 INCH)
956	02230182	1	shim 1ST OVERSIZE 3,25 MM (0.1279 INCH)
957	02230183	1	shim 2ND OVERSIZE 3,50 MM (0.1378 INCH)
958	02230184	1	shim 3RD OVERSIZE 3,75 MM (0.1476 INCH)
959	02230185	1	shim 4TH OVERSIZE 4,00 MM(0.1575 INCH)
960	02230172	1	shim 1ST OVERSIZE 3,25 MM (0.1279 INCH)
961	02230173	1	shim 2ND OVERSIZE 3,50 MM (0.1378 INCH)
962	02230174	1	shim 3RD OVERSIZE 3,75 MM(0.1476 INCH)



Kurbelgehäuse
 Crankcase
 Carter
 Carter

0150-01-0506 3052



Section: ENGINE
CRANK CASE

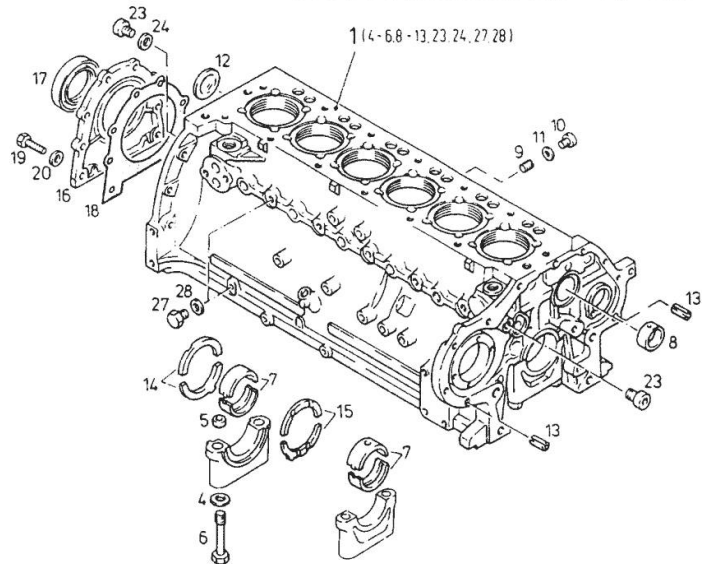
Fig.	P/n	QTY	Name
963	02230175	1	shim 4TH OVERSIZE 4,00 MM (0.1575 INCH)



Kurbelgehäuse
 Crankcase
 Carter
 Carter

0150-01-0506 3052

3



Section: ENGINE

BLANKING PARTS

Fig.	P/n	QTY	Name
------	-----	-----	------

Notes:

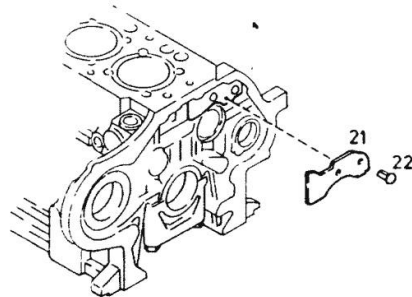
[AgroPrima 6.06]

21	02231082	1	plate UP TO MOTOR NO. (A) FROM ENGINE NO. SEE ITEM (B)
22	01115333	2	self tapping screw ISO 008746- 6 X10-ST -A4C
950	04156862	1	plate UP TO MOTOR NO. (A) FROM ENGINE NO. SEE ITEM (B)



Verschluss
teile
Locking parts
Pieces de fermeture
Partes de cierre

0150—01—504 2845



Section: ENGINE

ACCESSORIES

Fig.	P/n	QTY	Name
------	-----	-----	------

Notes:

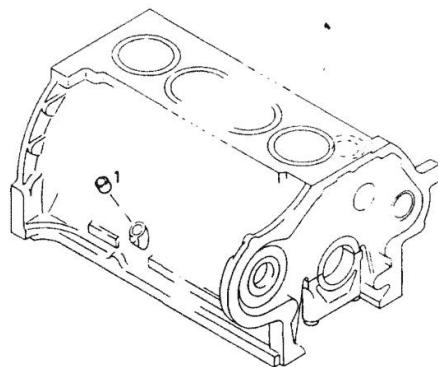
[AgroPrima 6.06]

1	01167269	1	bush H 002341-B13X14
---	----------	---	-------------------------



Anbauteile
Attachments
Accessories
Partes de adosamiento

0150-01-504 2878



Section: ENGINE

INTERMEDIATE GEAR BEARING

Fig.	P/n	QTY	Name
------	-----	-----	------

Notes:

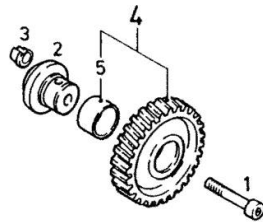
[AgroPrima 6.06]

1	01110688	1	screw DIN 000912- M10 X 60 -10.9-A4 C
2	04156284	1	pin
3	04156283	1	bush
4	04153996	1	gear wheel WITH ITEM 5,
5	03362538	1	bushing



Zwischenradlager
Idler gear bearing
Tourillon de pignon intermédiaire
Soporte para rueda intermedia

0150-01-505 12 17



Section: ENGINE

IDLER BEARING

Fig.	P/n	QTY	Name
------	-----	-----	------

Notes:

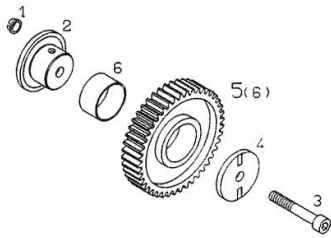
[AgroPrima 6.06]

1	04156283	1	bush
2	04156285	1	journal
3	02234177	1	screw
4	04154593	1	washer
5	04154591	1	gear wheel WITH ITEM 6,
6	04154590	1	bushing



ZWISCHENRAUHLAGERUNG
- IDLER GEAR BEARING
TOURILLON DE PIGNON INTERMEDIAIRE
SOPORTE PARA RUEDA INTERMEDIA

0150 -01- 0506 4563



Section: ENGINE
FRONT COVER

Fig.	P/n	QTY	Name
------	-----	-----	------

Notes:

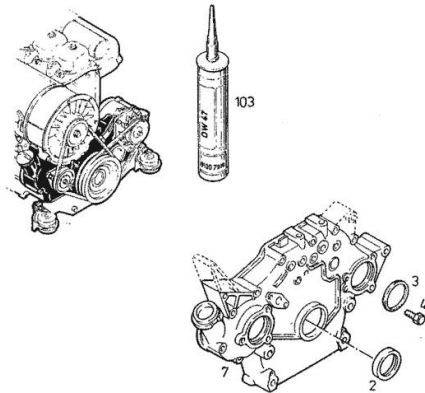
[AgroPrima 6.06]

2	04154144	1	special oil seal
3	01180084	1	oil seal H 002927- 82 X 3,15K -MVQ-1-5 0
4	01102396	1	screw ISO 004017-M 8 X 8 - 8.8-A4C
7	04159883	1	cover
103	01016120		compound 1 kg H 000699-DEUTZ DW 47- 310 ML



Vorderer Deckel
 Front cover
 Couvrecle avant
 Tapa delantera

0150-01-0506 3804



Thank you so much for reading.
Please click the “Buy Now!”
button below to download the
complete manual.



After you pay.

You can download the most
perfect and complete manual in
the world immediately.

Our support email:

ebooklibonline@outlook.com