

Section: ENGINE  
**CRANK CASE**

Fig.	P/n	QTY	Name
------	-----	-----	------

Notes:

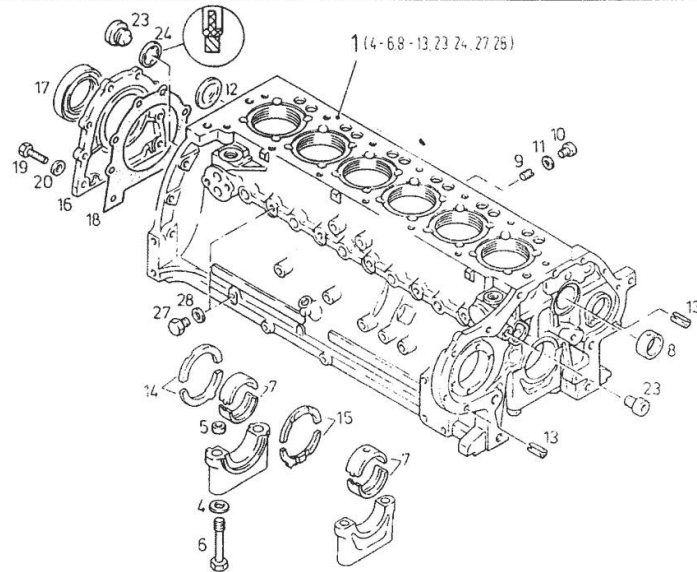
[AgroStar Freisicht 6.38]

1	04158919	1	crankcase WITH ITEM .... 4-6,9-13,23,24,27-32
4	01216107	14	washer 15x23x1,5 H 002308-15 X23X1,5
5	04160764	14	bushing
6	04156058	14	screw
7	03362379	7	bearing NORMAL ..(1).MM RD, FOR UNDERSIZED PART SEE ITEM.2 REPAIR BEARING FOR INSIDE AND OUTSIDE SEE ITEM(3) 1) 70,00 MM 2) 950-955 3) 964
8	04156548	1	bushing
9	01215235	7	plug
10	01110422	6	screw DIN 000908-M12X1,5-ST
11	01118673	6	oil seal DIN 007603-A 12 X 15,5-CU
12	01216240	1	disc
13	01167266	2	bush H 002341-B11X16
14	02230181	1	shim NORMAL (A) MM RD, FOR OVERSIZED PART SEE POS (B) A= 3,00 MM B= 956-959
15	02230170	1	shim NORMAL (A)MM, OVERDIMENSION LEVEL SEE ITEM (B) A= 3,00 MM B= 960-963
16	02234870	1	cover
17	04230392	1	special oil seal
18	03362337	1	gasket
19	01112322	8	screw m 8 p.1.25 x 20 ISO 004017-M 8 X 20 - 8.8-A4C
20	01107101	8	washer 8.4 DIN 000125-A 8,4-140HV-A4C



Kurbelgehäuse  
 Crankcase  
 Carter  
 Cárter

0150-01-0506 3555



Section: ENGINE

**CRANK CASE**



Kurbelgehäuse  
Crankcase  
Carter  
Cârtier

0150-01-0506 3555

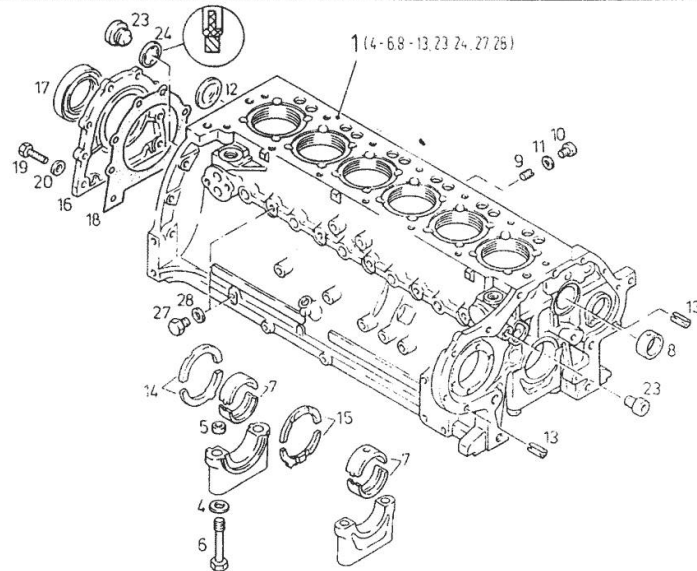


Fig.	P/n	QTY	Name
23	04159934	2	screw
24	04159935	1	oil seal
27	01118998	5	screw
28	01118659	5	oil seal
29	01118985	1	screw am26x1,5 d7604
30	01118760	1	DIN 007604-CM10X1 -ST-A4C gasket 26x31 DIN 007603-A 26 X 31 -CU
103	01016120	1	compound 1 kg H 000699-DEUTZ DW 47- 310 ML
950	03362380	7	bearing 1ST UNDERSIZE 69,75 MM
951	03362381	7	bearing 2ND UNDERSIZE 69,50 MM
952	03362382	7	bearing 3RD UNDERSIZE 69,25 MM
953	03362383	7	bearing 4TH UNDERSIZE 69,00 MM
954	03362384	7	bearing 5TH UNDERSIZE 68,75 MM
955	03362385	7	bearing 6TH UNDERSIZE 68,50 MM
956	02230182	1	shim 1ST OVERSIZE 3,25 MM
957	02230183	1	shim 2ND OVERSIZE 3,50 MM
958	02230184	1	shim 3RD OVERSIZE 3,75 MM
959	02230185	1	shim 4TH OVERSIZE 4,00 MM
960	02230172	1	shim

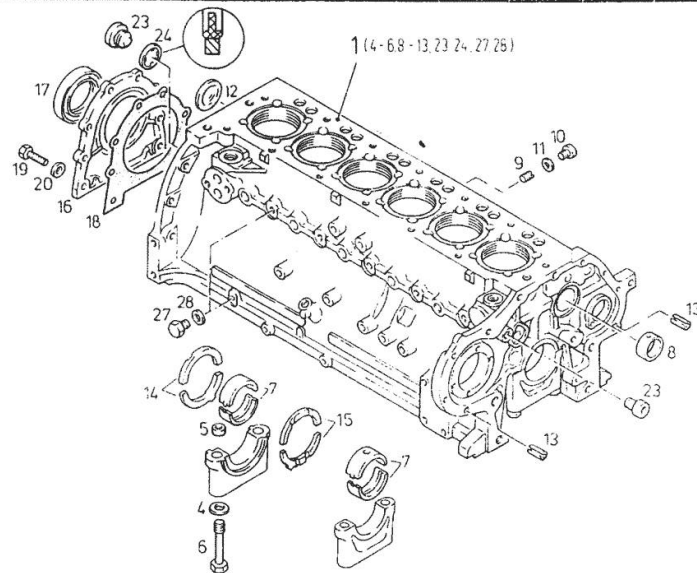
Section: ENGINE  
**CRANK CASE**

Fig.	P/n	QTY	Name
961	02230173	1	1ST OVERSIZE 3,25 MM shim
962	02230174	1	2ND OVERSIZE 3,50 MM shim
963	02230175	1	3RD OVERSIZE 3,75 MM shim
964	02233347	7	4TH OVERSIZE 4,00 MM bearing FOR INSIDE...(1)...MM FOR OUTSIDE...(2)...MM 1) 69,75 MM 2) 75,50 MM



Kurbelgehäuse  
 Crankcase  
 Carter  
 Cárter

0150-01-0506 3555



Section: ENGINE  
**ACCESSORIES**

Fig.	P/n	QTY	Name
------	-----	-----	------

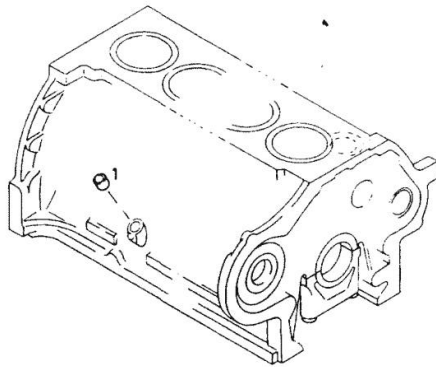
Notes:  
 [AgroStar Freisicht 6.38]

1	01167269	1	bush H 002341-B13X14
---	----------	---	-------------------------



Anbauteile  
 Attachments  
 Accessoires  
 Partes de adosamiento

0150-01-504 2878



Section: ENGINE

**BLANKING PARTS**

Fig.	P/n	QTY	Name
------	-----	-----	------

**Notes:**

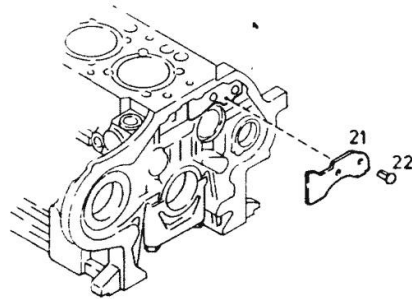
[AgroStar Freisicht 6.38]

21	02231082	1	plate UP TO MOTOR NO. (A) FROM ENGINE NO. SEE ITEM (B)
22	01115333	2	self tapping screw ISO 008746- 6 X10-ST -A4C
950	04156862	1	plate UP TO MOTOR NO. (A) FROM ENGINE NO. SEE ITEM (B)



Verschlußteile  
Locking parts  
Pieces de fermeture  
Partes de cierre

0150—01—504 2845



Section: ENGINE

**IDLER BEARING**

Fig.	P/n	QTY	Name
------	-----	-----	------

**Notes:**

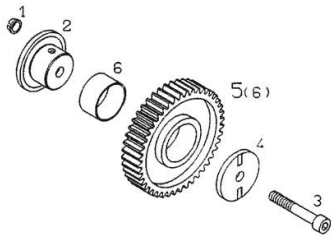
[AgroStar Freisicht 6.38]

1	04156283	1	bush
2	04156285	1	journal
3	02234177	1	screw
4	04154593	1	washer
5	04154591	1	gear wheel WITH ITEM .... 6,
6	04154590	1	bushing



ZWISCHENRAUHLAGERUNG  
- IDLER GEAR BEARING  
TOURILLON DE PIGNON INTERMEDIAIRE  
SOPORTE PARA RUEDA INTERMEDIA

0150 -01- 0506 4563



Section: ENGINE  
**FRONT COVER**

Fig.	P/n	QTY	Name
------	-----	-----	------

Notes:

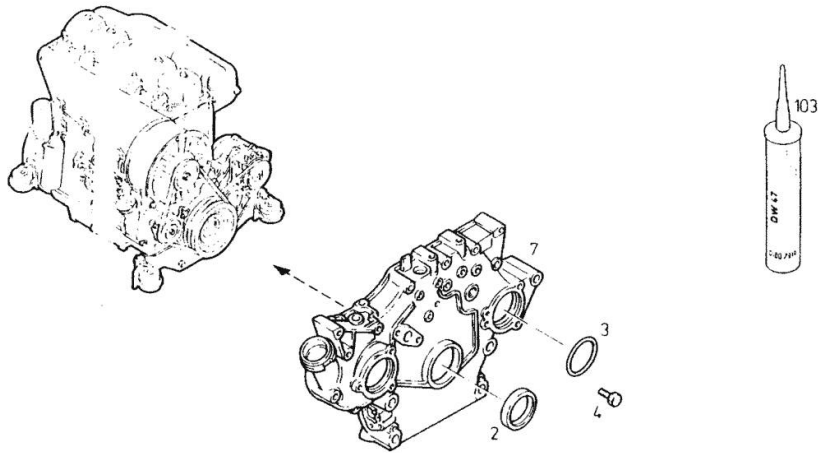
[AgroStar Freisicht 6.38]

2	04154144	1	special oil seal
3	01180084	1	oil seal H 002927- 82 X 3,15K -MVQ-1-5 0
4	01102396	1	screw ISO 004017-M 8 X 8 - 8.8-A4C
7	04158754	1	cover
103	01016120	1	compound 1 kg H 000699-DEUTZ DW 47- 310 ML



Vorderer Deckel  
 Front cover  
 Couvercle avant  
 Tapa delantera

0150 -01 -0506 3546



Section: ENGINE

**FASTENINGS**

Fig.	P/n	QTY	Name
------	-----	-----	------

**Notes:**

[AgroStar Freisicht 6.38]

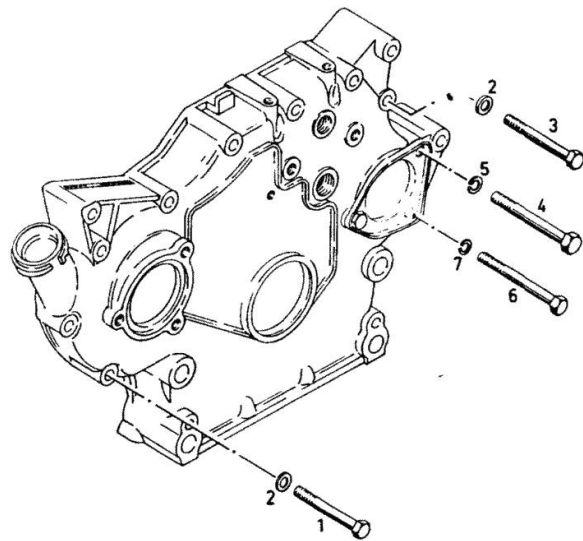
1	01127046	1	screw m 8 x 60 ISO 004017-M 8 X 60 - 8.8-A4C
2	01107101	3	washer 8.4 DIN 000125-A 8,4-140HV-A4C
3	01111179	2	screw m 8 x 70, d931 ISO 004014- M 8 X 70 - 8.8-A4 C
4	01111336	1	screw m 10 x 75 DIN 000931- M10 X 75 - 8.8-A4 C
5	01102800	1	washer 10.2 DIN 000128-A 10 -FST -A4C
6	01122399	1	screw ISO 004014- M 8 X 85 - 8.8-A4 C
7	01102799	1	washer 8, d128 DIN 000128-A 8 -FST -A4C



Befestigungsteile  
Fastening parts  
Pièces de fixation  
Partes de fijación



0150-01-500 6842





**SEALING COVER FOR INJECTION TIMING GEAR**

Fig.	P/n	QTY	Name
------	-----	-----	------

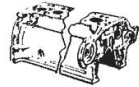
**Notes:**

[AgroStar Freisicht 6.38]

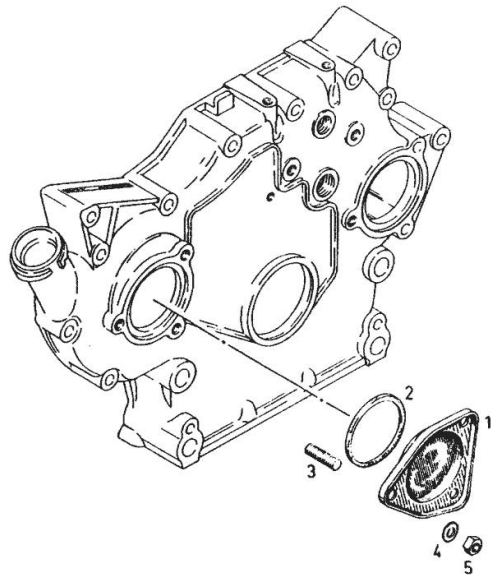
1	04152404	1	cover
2	01166110	1	ring H 002927- 80 X 3 -NBR-1-60
3	01178540	3	screw H 002091- 835-M 8 X 16- 8.8-A 4C-MK-1,5D-BL
4	01216143	3	ring
5	01112824	3	nut m 8, d934 ISO 004032-M 8 - 8-A4C



Verschlußdeckel für Spritzversteller  
Cover for advance/retard unit  
Couvercle pour avance automatique  
Tapa de cierre para graduador de avance de inyección



0150-01-500 3331



Section: ENGINE

**BLANKING PARTS**

Fig.	P/n	QTY	Name
------	-----	-----	------

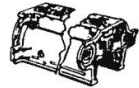
**Notes:**

[AgroStar Freisicht 6.38]

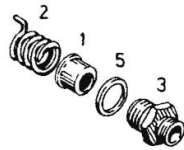
1	02135019	1	tube
2	02237638	1	spring
3	02234350	1	vent
5	01118750	1	oil seal DIN 007603-A 24 X 30 -AL



Verschlusssteile  
Locking parts  
Pièces de fermeture  
Partes de cierre



0150-01-503 0825



Section: ENGINE

**INJECTION NOZZLE PIECE/CYL.- UNIT**

Fig.	P/n	QTY	Name
------	-----	-----	------

**Notes:**

[AgroStar Freisicht 6.38]

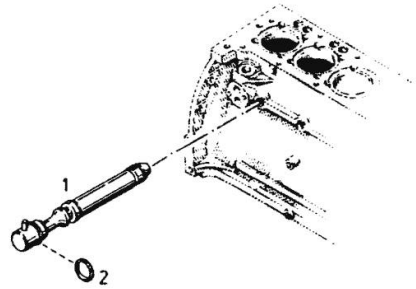
1	02239591	1	nozzle
2	01173838	1	oil seal H 002927- 9 X 1,5 -FPM-1-70
950	01001202	1	gasket H 000699-DEUTZ DW 49- 1 KG



Spritzdüse  
Spray nozzle  
Pulversateur  
Tobera de dispersión

Stück / Zyl.- Einheit  
Pieces / cyl. unit  
Qté / cylindre  
Cantid. / unid. cilind.

0150—01—503 7653



Thank you so much for reading.  
Please click the “Buy Now!”  
button below to download the  
complete manual.



After you pay.

You can download the most  
perfect and complete manual in  
the world immediately.

Our support email:

[ebooklibonline@outlook.com](mailto:ebooklibonline@outlook.com)