

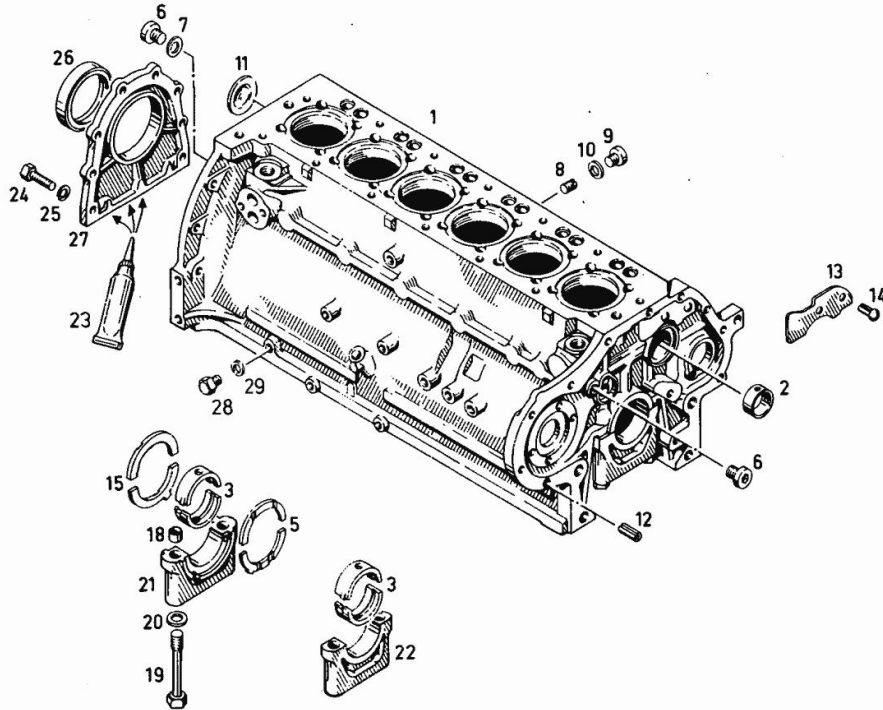
Section: ENGINE

CRANK CASE

Fig.	P/n	QTY	Name
------	-----	-----	------

Notes:

[D 8006 Fg. - Nr.: 7932-1222 7933-0444]

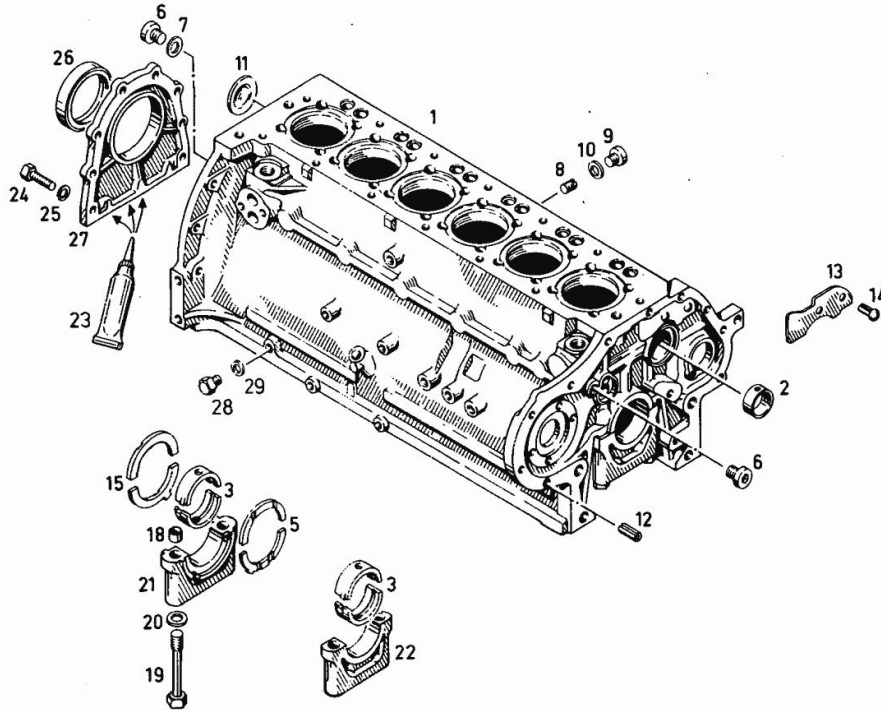


1	02138314	1	crankcase BEST. AUS BILD NR. 2,6 -14
2	02139757	1	-
3	03362379	7	bearing NORMAL 70,00 MM RD (2,7559 IN.) UNTERMASST. POS. 950 BIS 955
5	02230170	1	shim NORMAL 3,00 MM (0,1181 IN.) UEBERMASST POS. 960-963 BIS MOT. NR. 5 139 422 EINB., 5 137 246 TRAKTOR, 5 173 294 ULM,S POS. 964-968
6	01214988	2	screw
7	01118707	2	ring 16
8	01215235	7	plug
9	01122350	7	plug
10	01118673	7	oil seal
11	01216240	1	disc
12	01167266	2	bush
13	02231082	1	plate
14	01115333	2	self tapping screw
15	02230181	1	shim NORMAL 3,00 MM (0,1181 IN.) UEBERMASST POS. 956-959 BIS MOT. NR. 5 139 422 EINB., 5 137 246 TRAKTOR, 5 173 294 ULM.S. POS. 969-973
18	03362279	14	bushing
19	01136990	14	screw
20	01216107	14	washer 15x23x1,5
21	02138184	1	cover
22	02138185	6	cover
23	01007910	1	compound 1 kg
24	01112322	8	screw m 8 p.1.25 x 20
25	01102799	8	washer 8, d128
26	02234134	1	oil seal
27	02234786	1	cover
28	01118998	1	screw
29	01118659	1	oil seal
950	03362380	7	bearing 1. UNTERMASST. 69,75 MM RD (2,7459 IN.)
951	03362381	7	bearing 2. UNTERMASST. 69,50 MM RD (2,7362 IN.)
952	03362382	7	bearing 3. UNTERMASST. 69,25 MM RD (2,7263 IN.)

Section: ENGINE

CRANK CASE

Fig.	P/n	QTY	Name
953	03362383	7	bearing 4. UNTERMASST. 69,00 MM RD (2,7165 IN.)
954	03362384	7	bearing 5. UNTERMASST. 68,75 MM RD (2,7066 IN.)
955	03362385	7	bearing 6. UNTERMASST. 68,50 MM RD (2,6968 IN.)
956	02230182	1	shim 1. UEBERMASST. 3,25 MM (0,1279 IN.)
957	02330183	1	- 2. UEBERMASST. 3,50 MM (0,1378 IN.)
958	02230184	1	shim 3. UEBERMASST. 3,75 MM (0,1476 IN.)
959	02230185	1	shim 4. UEBERMASST. 4,00 MM (0,1575 IN.)
960	02230172	1	shim 1. UEBERMASST. 3,25 MM (0,1279 IN.)
961	02230173	1	shim 2. UEBERMASST. 3,50 MM (0,1378 IN.)
962	02230174	1	shim 3. UEBERMASST. 3,75 MM (0,1476 IN.)
963	02230175	1	shim 4. UEBERMASST. 4,00 MM (0,1575 IN.)
964	02230164	1	shim NORMAL 3,00 MM (0,1181 IN.)
965	02230166	1	shim 1. UEBERMASST. 3,25 MM (0,1279 IN.)
966	02230167	1	shim 2. UEBERMASST. 3,50 MM (0,1378 IN.)
967	02230168	1	shim 3. UEBERMASST. 3,75 MM (0,1476 IN.)
968	02230169	1	shim 4. UEBERMASST. 4,00 MM (0,1575 IN.)
969	02230176	1	shim NORMAL 3,00 MM (0,1181 IN.)
970	02230177	1	shim 1. UEBERMASST. 3,25 MM (0,1279 IN.)
971	02230178	1	shim 2. UEBERMASST. 3,50 MM (0,1378 IN.)
972	02230179	1	shim 3. UEBERMASST. 3,75 MM (0,1476 IN.)
973	02230180	1	shim 4. UEBERMASST. 4,00 MM (0,1575 IN.)



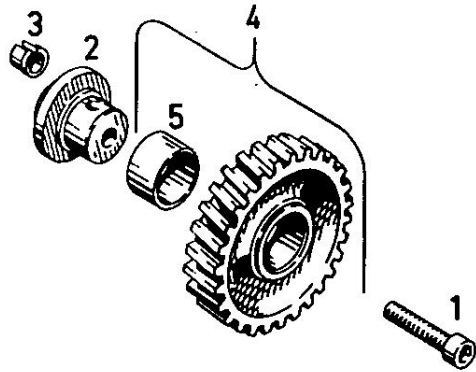
INTERMEDIATE GEAR BEARING

Fig.	P/n	QTY	Name
------	-----	-----	------

Notes:

[D 8006 Fg. - Nr.: 7932-1222 7933-0444]

1	01110688	1	screw
2	02234172	1	pin
3	02101007	1	bushing
4	03362541	1	gear
5	03362538	1	bushing



Section: ENGINE

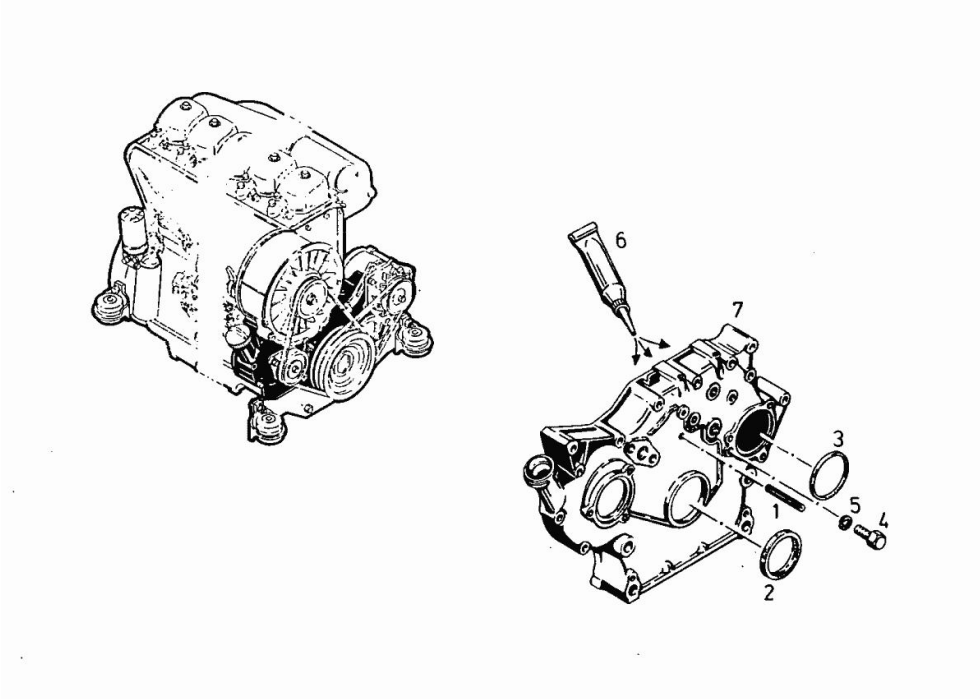
VORDERER DECKEL

Fig.	P/n	QTY	Name
------	-----	-----	------

Notes:

[D 8006 Fg. - Nr.: 7932-1222 7933-0444]

1	01115459	1	pin
2	02234133	1	oil seal
3	01166110	1	ring
4	01112295	1	screw m 8 x 10
5	01102799	1	washer 8, d128
6	01007910	1	compound 1 kg
7	02235812	1	cover



Section: ENGINE

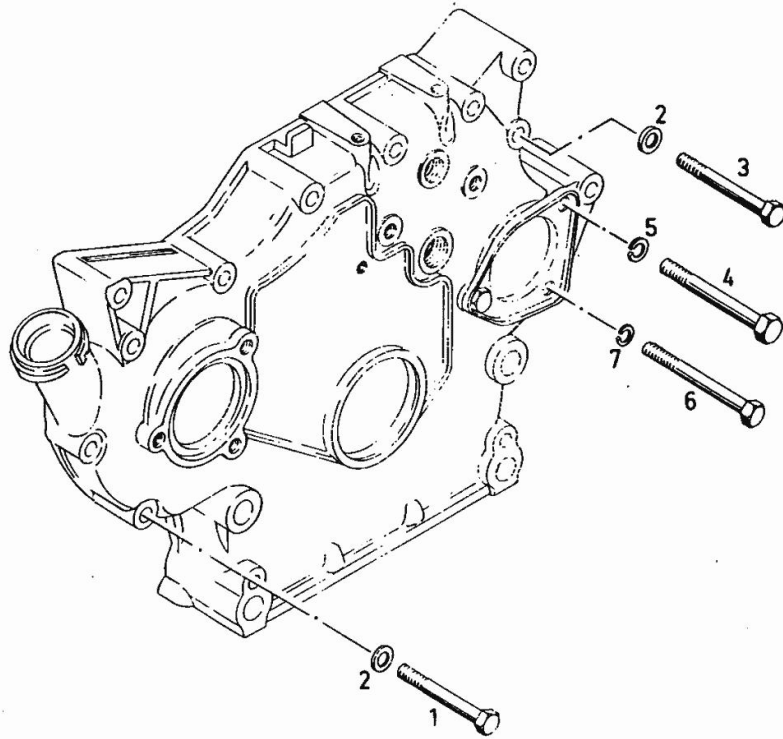
FASTENINGS

Fig.	P/n	QTY	Name
------	-----	-----	------

Notes:

[D 8006 Fg. - Nr.: 7932-1222 7933-0444]

1	01111166	1	screw
2	01107101	3	washer 8.4
3	01111179	2	screw m 8 x 70, d931
4	01111334	1	screw
5	01102800	1	washer 10.2
6	01111195	1	screw
7	01102799	1	washer 8, d128



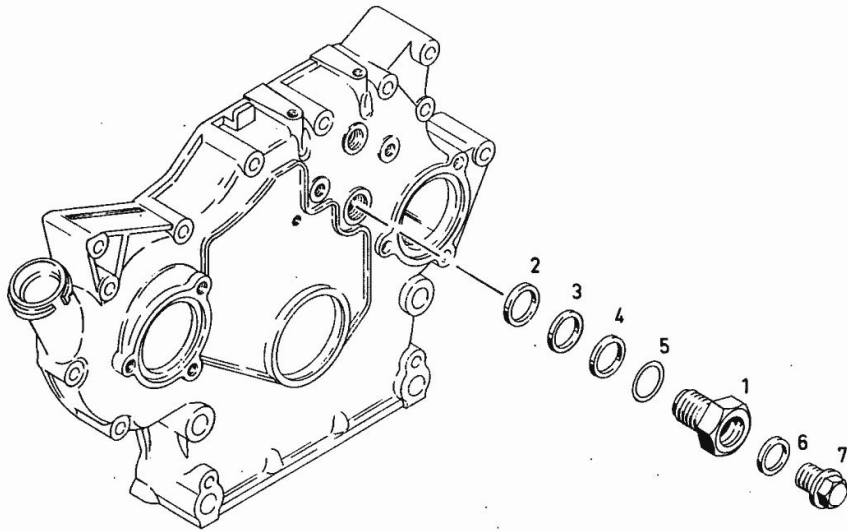
VERSCHLUß FÜR NOCKENWELLENANTRIEB

Fig.	P/n	QTY	Name
------	-----	-----	------

Notes:

5 650 585<= [D 8006 Fg. - Nr.: 7932-1222 7933-0444]

1	03362510	1	-
2	01118750	1	oil seal
3	03362293	1	washer
4	03362294	1	washer
5	03362295	2	washer
6	01118713	1	washer 18.5
7	01118970	1	plug m 18 p.1.5



Section: ENGINE

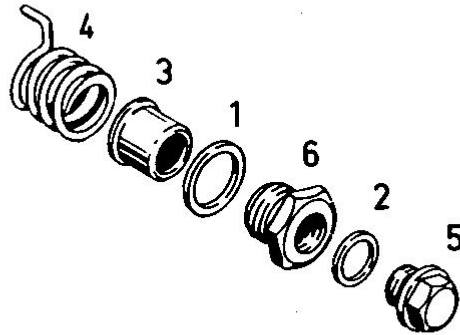
BLANKING PARTS

Fig.	P/n	QTY	Name
------	-----	-----	------

Notes:

=>5 650 586 [D 8006 Fg. - Nr.: 7932-1222 7933-0444]

1	01118750	1	oil seal
2	01118713	1	washer 18.5
3	02135019	1	tube
4	02237638	1	spring
5	01118970	1	plug m 18 p.1.5
6	02135685	1	screw



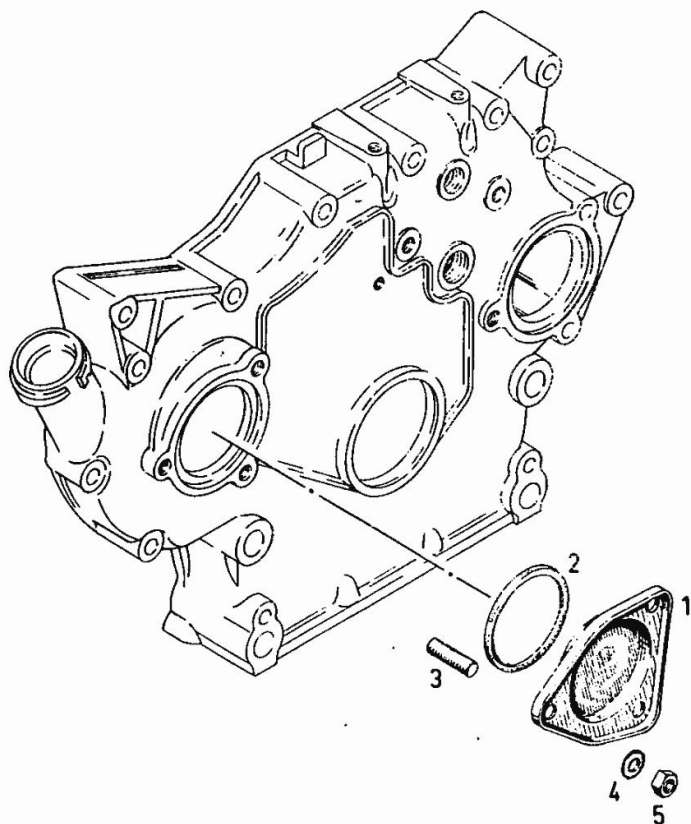
VERSCHLUßDECKEL FÜR SPRITZVERSTELLER

Fig.	P/n	QTY	Name
------	-----	-----	------

Notes:

[D 8006 Fg. - Nr.: 7932-1222 7933-0444]

1	03362504	1	cover
2	01166110	1	ring
3	01231524	3	screw
4	01107101	3	washer 8.4
5	01112824	3	nut m 8, d934



Section: ENGINE

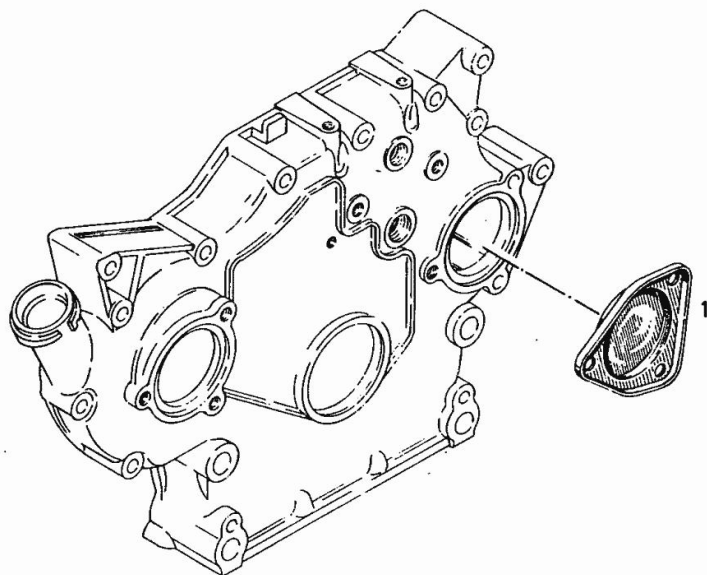
COVER

Fig.	P/n	QTY	Name
------	-----	-----	------

Notes:

[D 8006 Fg. - Nr.: 7932-1222 7933-0444]

1	03362504	1	cover
---	----------	---	-------



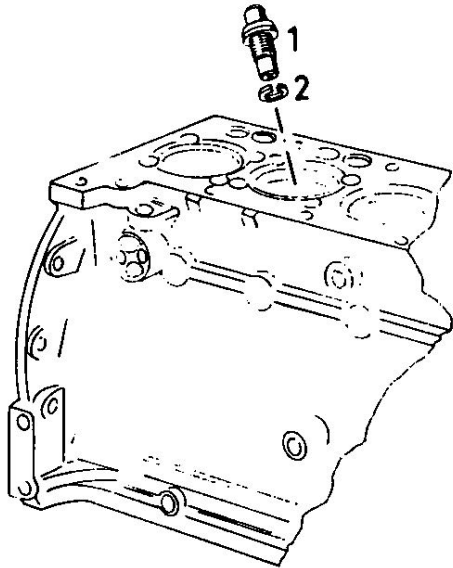
NOZZLE

Fig.	P/n	QTY	Name
------	-----	-----	------

Notes:

STÜCK/ZYL.-EINHEIT [D 8006 Fg. - Nr.: 7932-1222 7933-0444]

1	02134268	1	nozzle
2	01119611	1	ring



Section: ENGINE

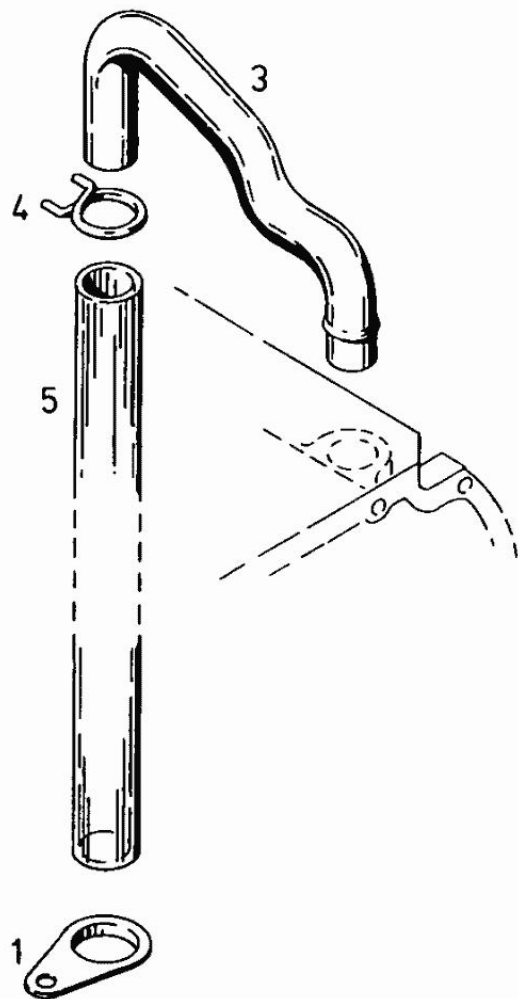
BREATHER

Fig.	P/n	QTY	Name
------	-----	-----	------

Notes:

[D 8006 Fg. - Nr.: 7932-1222 7933-0444]

1	02101292	1	fan
3	02237425	1	-
4	01163942	1	clamp
5	01402545	1	flexible hose
950	01001202	5	gasket



Thank you so much for reading.
Please click the “Buy Now!”
button below to download the
complete manual.



After you pay.

You can download the most
perfect and complete manual in
the world immediately.

Our support email:

ebooklibonline@outlook.com