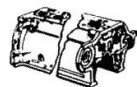
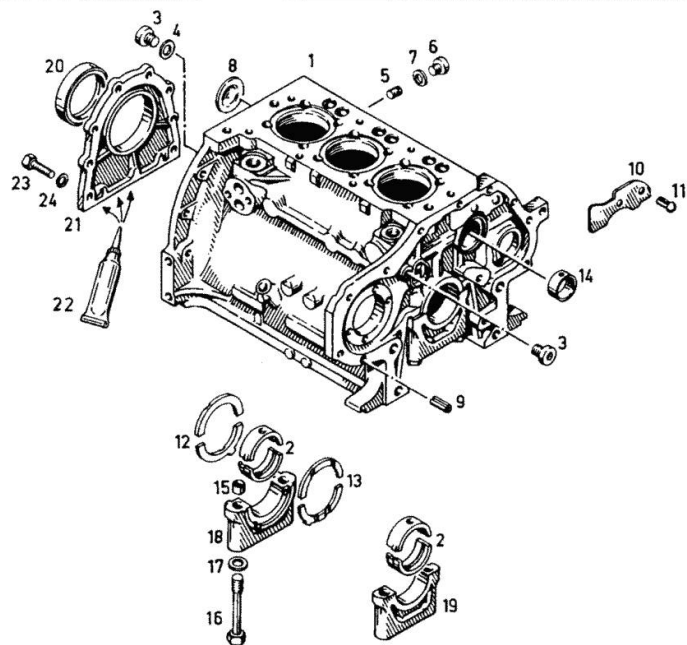




Kurbelgehäuse
Crankcase
Carter
Carter



0150-01-500 6748



D07C 5207

Section: ENGINE

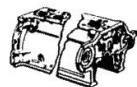
Ref: 11.01.20000

GEARBOX

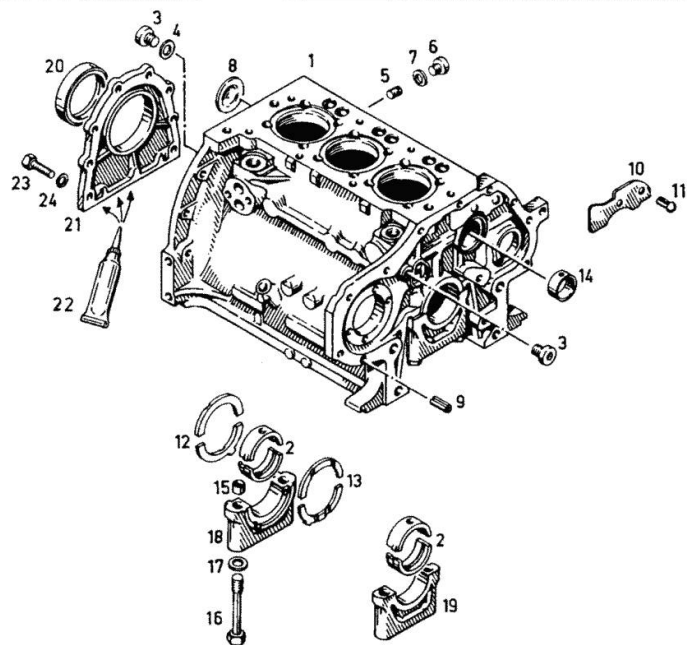
Fig.	P/n	QTY	Name
Notes: [D07C 5207]			
1	02230526	1	crankcase BEST. AUS BILD NR.3 BIS 11 14 BIS 19
2	03362379	4	bearing
4	01118707	2	ring 16 DIN 007603-A 16 X 22 -CU
5	01215235	4	plug
6	01122350	3	plug DIN 000908-M12X1,5-ST-OELGESC HW
7	01118673	3	oil seal DIN 007603-A 12 X 15,5-CU
8	01216240	1	disc
9	01167266	2	bush H 002341-B11X16
10	02231082	1	plate
11	01115333	2	self tapping screw ISO 008746- 6 X10-ST -A4C
12	02230181	1	shim NORMAL 3.00 MM (0.1181 IN.) OVERSIZE STEP ITEM. 956-959 UP TO ENG. NO. 5 162 175 EINB., 5 160 389 TRAKTOR, S.POS.964-968
13	02230170	1	shim NORMAL 3.00 MM (0.1181 IN.) OVERSIZE STEP ITEM. 960-963 UP TO ENG. NO. 5 162 175 EINB., 5 160 389 TRAKTOR, S.POS.969-973
14	02139737	1	bushing
15	03362279	8	bushing
16	01136990	8	screw DIN 000931-BM14 X110 - 10.9
17	01216107	8	washer 15x23x1,5 H 002308-15 X23X1,5
20	02234134	1	oil seal
21	02234786	1	cover
22	01016120	1	compound 1 kg H 000699-DEUTZ DW 47- 310 ML
23	01112322	8	screw m 8 p.1.25 x 20



Kurbelgehäuse
Crankcase
Carter
Carter



0150-01-500 6748



D07C 5207

Section: ENGINE

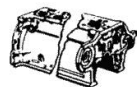
Ref: 11.01.20000

GEARBOX

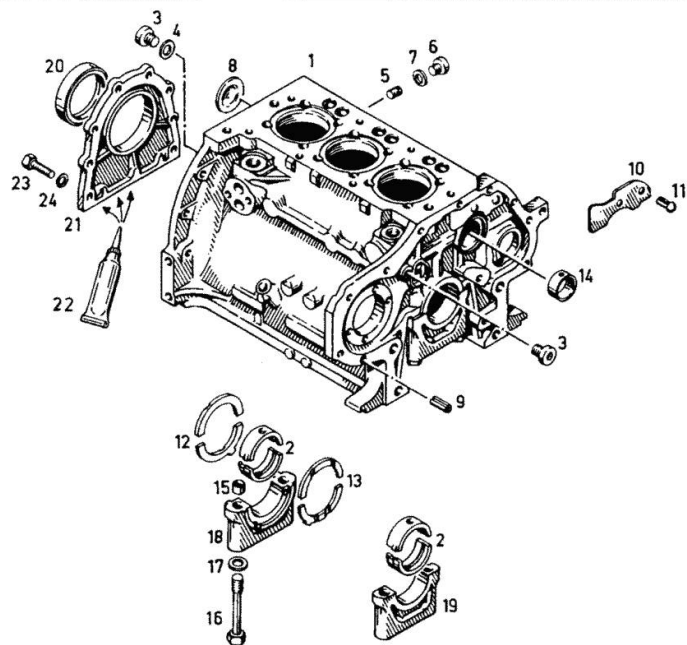
Fig.	P/n	QTY	Name
24	01102799	8	ISO 004017-M 8 X 20 - 8.8-A4C washer 8, d128 DIN 000128-A 8 -FST -A4C
950	03362380	4	bearing 1. UNDERSIZE STEP 69.75 MM RD. (2.7459 IN)
951	03362381	4	bearing 2. UNDERSIZE STEP 69.50 MM RD. (2.7362 IN)
952	03362382	4	bearing 3. UNDERSIZE STEP 69.25 MM RD. (2.7263 IN)
953	03362383	4	bearing 4. UNDERSIZE STEP 69.00 MM RD. (2.7165 IN)
954	03362384	4	bearing 5. UNDERSIZE STEP 68.75 MM RD. (2.7066 IN)
955	03362385	4	bearing 6. UNDERSIZE STEP 68.50 MM RD. (2.6968 IN)
956	02230182	1	shim 1. OVERSIZE 3.25 MM (0.1279 IN)
957	02230183	1	shim 2. OVERSIZE 3.50 MM (0.1378 IN)
958	02230184	1	shim 3. OVERSIZE 3.75 MM (0.1476 IN)
959	02230185	1	shim 4. OVERSIZE 4.00 MM (0.1575 IN)
960	02230172	1	shim 1. OVERSIZE 3.25 MM (0.1279 IN)
961	02230173	1	shim 2. OVERSIZE 3.50 MM (0.1378 IN)
962	02230174	1	shim 3. OVERSIZE 3.75 MM (0.1476 IN)
963	02230175	1	shim 4. OVERSIZE 4.00 MM



Kurbelgehäuse
Crankcase
Carter
Carter



0150-01-500 6748



D07C 5207

Ref: 11.01.20000

Section: ENGINE

GEARBOX

Fig.	P/n	QTY	Name
964	02230176	1	(0,1575 IN) shim NORMAL 3.00 MM (0.1181 IN.)
965	02230177	1	shim 1. OVERSIZE 3.25 MM (0.1279 IN.)
966	02230178	1	shim 2. OVERSIZE 3.50 MM (0,1378 IN.)
967	02230179	1	shim 3. OVERSIZE 3.75 MM (0,1476 IN.)
968	02230180	1	shim 4. OVERSIZE 4.00 MM (0,1575 IN.)
969	02230164	1	shim NORMAL 3.00 MM (0.1181 IN.)
970	02230166	1	shim 1. OVERSIZE 3.25 MM (0.1279 IN.)
971	02230167	1	shim 2. OVERSIZE 3.50 MM (0,1378 IN.)
972	02230168	1	shim 3. OVERSIZE 3.75 MM (0,1476 IN.)
973	02230169	1	shim 4. OVERSIZE 4.00 MM (0,1575 IN.)

Section: ENGINE

FASTENINGS

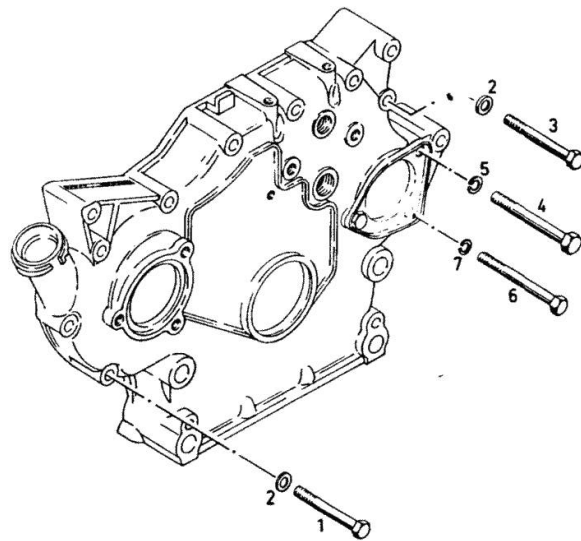
Fig.	P/n	QTY	Name
Notes:			
[D07C 5207]			
1	01127046	1	screw m 8 x 60 ISO 004017-M 8 X 60 - 8.8-A4C
2	01107101	3	washer 8.4 DIN 000125-A 8,4-140HV-A4C
3	01111179	2	screw m 8 x 70, d931 ISO 004014- M 8 X 70 - 8.8-A4 C
4	01111336	1	screw m 10 x 75 DIN 000931- M10 X 75 - 8.8-A4 C
5	01102800	1	washer 10.2 DIN 000128-A 10 -FST -A4C
6	01122399	1	screw ISO 004014- M 8 X 85 - 8.8-A4 C
7	01102799	1	washer 8, d128 DIN 000128-A 8 -FST -A4C



Befestigungsteile
Fastening parts
Pièces de fixation
Partes de fijación



0150-01-500 6842



Section: ENGINE

BLANKING PARTS

Fig.	P/n	QTY	Name
------	-----	-----	------

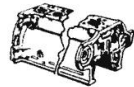
Notes:

[D07C 5207]

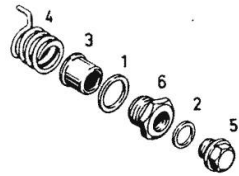
1	01118750	1	oil seal DIN 007603-A 24 X 30 -AL
2	01118713	1	washer 18.5 DIN 007603-A 18 X 22 -CU
3	02135019	1	tube
4	02237638	1	spring
5	01118970	1	plug m 18 p.1.5 DIN 007604-AM18X1,5 -ST-ZNPHR F
6	02135685	1	screw



Verschlusssteile
Locking parts
Pièces de fermeture
Partes de cierre



0150-01-502 2887



Section: ENGINE

NOZZLE

Fig.	P/n	QTY	Name
------	-----	-----	------

Notes:

[D07C 5207]

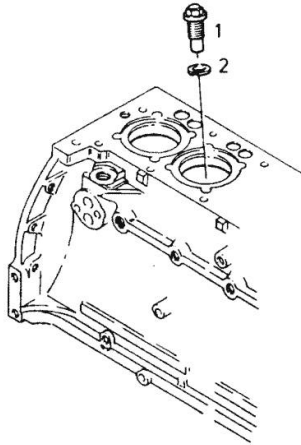
1	02239584	3	nozzle
2	01119611	3	ring DIN 007980- 8-FST-A4C



Sptzdüse
Spray nozzle
Pulversateur
Tobera de dispersión

Stück / Zyl. - Einheit
Pieces / cyl. unit
Qté / cylindre
Cantid. / unid. cilind.

0150 - 01 - 5037660



Section: ENGINE

OIL PAN

Fig.	P/n	QTY	Name
------	-----	-----	------

Notes:
[D07C 5207]

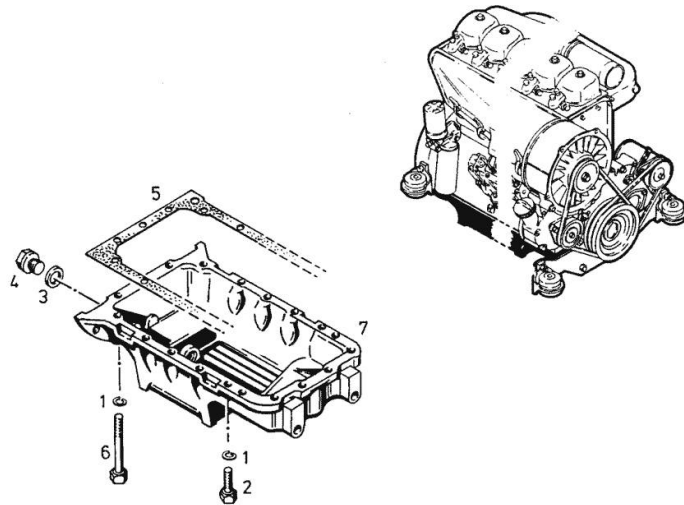
1	01102799	19	washer 8, d128 DIN 000128-A 8 -FST -A4C
2	01112333	16	screw m 8 x 25, d933 ISO 004017-M 8 X 25 - 8.8-A4C
3	01118736	1	oil seal DIN 007603-A 22 X 27 -AL
4	01118980	1	plug m 22 x 1.5 DIN 007604-AM22X1,5 -ST-A4C
5	03362573	1	gasket
6	01111212	3	screw DIN 000931- M 8 X110 - 8.8-ZN PHRF
7	02131611	1	oil sump OELSUMPf SCHWUNGRADSEITIG



Ölwanne
Oil pan
Carter d'huile
Sumidero de aceite



0150-02-500 6732



Section: ENGINE

OIL PAN

Fig.	P/n	QTY	Name
Notes: [D07C 5207]			
1	01101492	19	washer 8.2 DIN 006797-A 8,2-A4C
2	01112339	12	screw ISO 004017-M 8 X 30 - 8.8-GES CHW.
3	03362573	1	gasket
4	01118737	1	oil seal 22 x 27 DIN 007603-A 22 X 27 -CU
5	01118980	1	plug m 22 x 1.5 DIN 007604-AM22X1,5 -ST-A4C
6	02101390	1	oil sump
7	01111151	2	screw DIN 000931- M 8 X 45 - 8.8-OE LGESCHW.
8	01111212	5	screw DIN 000931- M 8 X110 - 8.8-ZN PHRF

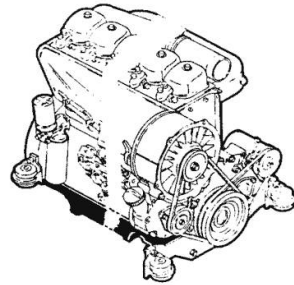
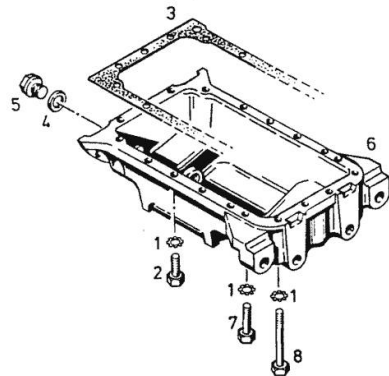


Ölwanne
Oil pan
Carter d'huile
Sumidero de aceite



0150-02-500 6742

Allradaausführung
Four-wheel drive
Execution toutes roues motrices
Version de traccion universal



Section: ENGINE
CYLINDER

Fig.	P/n	QTY	Name
------	-----	-----	------

Notes:
 [D07C 5207]

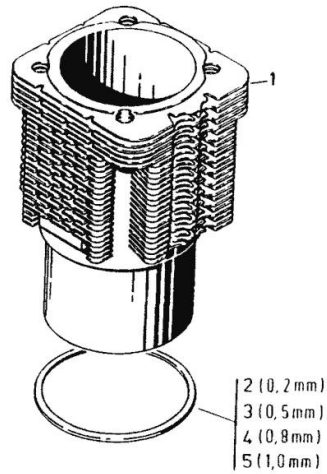
1	04157756	1	engine cylinder 100,00MM RD (3.9370IN.)
2	02137256	3	shim mm 0.20 0,2 MM DICK (0,0079 IN)
3	02232963		shim mm 0.50 0,5 MM DICK (0,0197 IN)
4	04150264		shim 0,8 MM DICK (0,0315 IN)
5	02239331		shim 1,0 MM DICK (0,0394 IN)



Zylinder
 Cylinder
 Cylindre
 Cilindro

Stück / Zyl. - Einheit
 Pieces / cyl. unit
 Qté / cylindre
 Cantid. / unid. cilind.

0150-04-500 3353



Section: ENGINE

V-GROOVED PULLEY

Fig.	P/n	QTY	Name
------	-----	-----	------

Notes:

[D07C 5207]

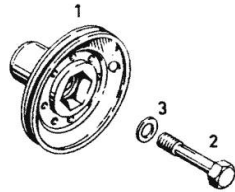
1	04158476	1	pulley SINGLE-GROOVE
2	01178931	1	screw
3	01216128	1	washer



Keilriemenscheibe
V-belt pulley
Poulie de courroie trapézoïdale
Polea acanalada



0150-05-500 4550



Section: ENGINE

V-GROOVED PULLEY

Fig.	P/n	QTY	Name
------	-----	-----	------

Notes:

[D07C 5207]

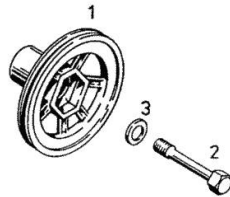
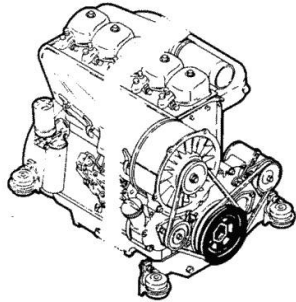
1	02234076	1	pulley
2	01166951	1	screw
3	01216128	1	washer



Kelriemenscheibe
V-belt pulley
Poulie de courroie trapézoïdale
Polea acanalada



0150-05-500 4551



Thank you so much for reading.
Please click the “Buy Now!”
button below to download the
complete manual.



After you pay.

You can download the most
perfect and complete manual in
the world immediately.

Our support email:

ebooklibonline@outlook.com