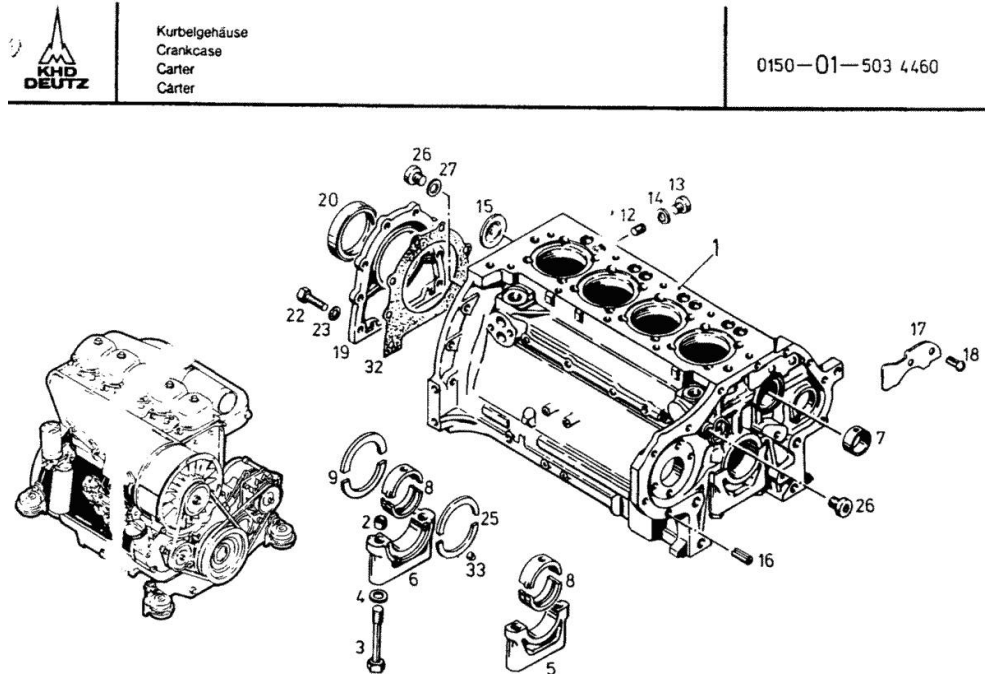


## Section: ENGINE

## CRANKCASE

Fig.	P/n	QTY	Name
<b>Notes:</b> [D07C 6907]			
1	04150837	1	crankcase BEST AUS BILD NR.2 BIS 7 12 BIS 18,26,27,33
2	03362279	10	bushing
3	01136990	10	screw DIN 000931-BM14 X110 - 10.9
4	01216107	10	washer 15x23x1,5 H 002308-15 X23X1,5
7	02139737	1	bushing
8	03362379	5	bearing NORMAL 70.00 MM RD (2.7559 IN.) UNDERSIZE STEP ITEM 950-955 FOR INSIDE AND OUTSIDE ITEM 956
9	02230164	1	shim NORMAL 3.00 MM (0.1181 IN.) OVERSIZE STEP ITEM. 970-973
12	01215235	5	plug
13	01110422	4	screw DIN 000908-M12X1,5-ST
14	01118673	4	oil seal DIN 007603-A 12 X 15,5-CU
15	01216240	1	disc
16	01167266	2	bush H 002341-B11X16
17	02231082	1	plate
18	01115333	2	self tapping screw ISO 008746- 6 X10-ST -A4C
19	02234870	1	cover
20	02234134	1	oil seal
22	01112322	8	screw m 8 p.1.25 x 20 ISO 004017-M 8 X 20 - 8.8-A4C
23	01107101	8	washer 8.4 DIN 000125-A 8,4-140HV-A4C
25	02230176	1	shim 3,00 MM (0.1181IN.) OVERSIZE STEP ITEM. 960-963
26	04159934	2	screw
27	04159935	1	oil seal
32	03362337	1	gasket
33	03362448	2	pin
950	03362380	5	bearing



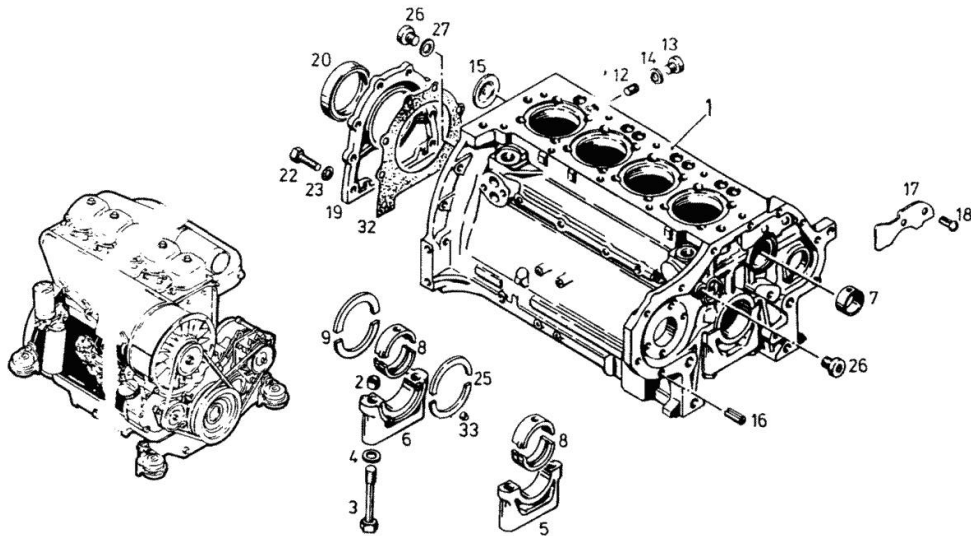
Section: ENGINE  
CRANKCASE

Fig.	P/n	QTY	Name
951	03362381	5	1. UNDERSIZE STEP 69.75 MM RD. (2.7459IN.) bearing
952	03362382	5	2. UNDERSIZE STEP 69.50 MM RD. (2.7362IN.) bearing
953	03362383	5	3. UNDERSIZE STEP 69.25 MM RD. (2.7263 IN.) bearing
954	03362384	5	4.UNDERSIZE STEP69.00 MM RD (2.7165 IN.) bearing
955	03362385	5	5.UNDERSIZE STEP68.75MMRD (2,7066IN.) bearing
956	02233347	5	6.UNDERSIZE STEP68.50 MM RD (2.6968IN.) bearing
960	02230177	1	F.INSIDE(69.75MM RD) AND F. OUTSIDE (75.50MM RD) shim
961	02230178	1	1. OVERSIZE 3.25 MM (0.1279IN.) shim
962	02230179	1	2. OVERSIZE 3.50 MM (0.1378 IN.) shim
963	02230180	1	3. OVERSIZE 3.75 MM (0.1476IN.) shim
970	02230166	1	4. OVERSIZE 4.00 MM (0.1575IN.) shim
971	02230167	1	1. OVERSIZE 3.25 MM (0,1279IN.) shim
972	02230168	1	2. OVERSIZE 3.50 MM (0,1378 IN.) shim
973	02230169	1	3. OVERSIZE 3.75 MM (0.1476 IN.) shim
		1	4.OVERSIZE STEP4.00 MM (0.1575IN.)



Kurbelgehäuse  
Crankcase  
Carter  
Carter

0150-01-503 4460



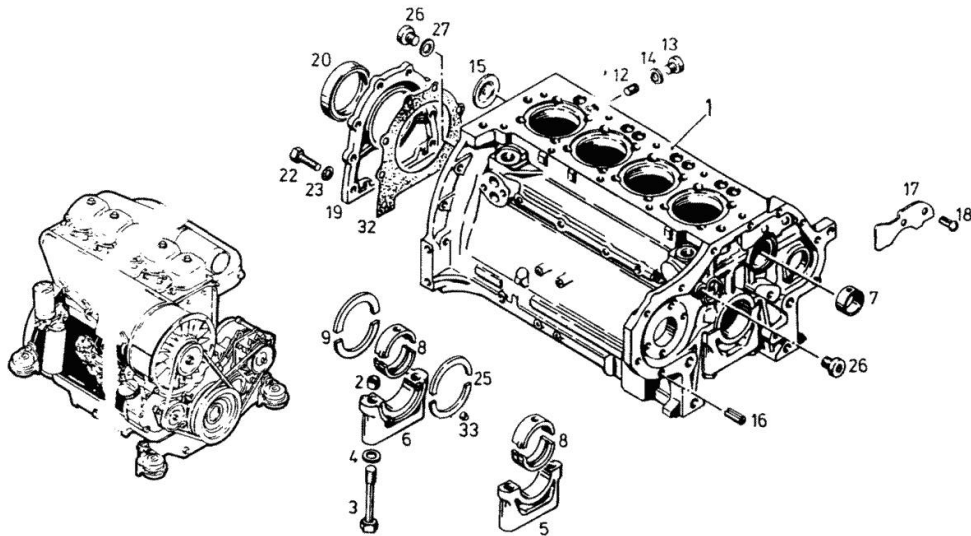
Section: ENGINE  
**CRANKCASE**

Fig.	P/n	QTY	Name
980	01016120	1	compound 1 kg H 000699-DEUTZ DW 47- 310 ML



Kurbelgehäuse  
 Crankcase  
 Carter  
 Carter

0150-01-503 4460



Section: ENGINE

**NOZZLE**

Fig.	P/n	QTY	Name
------	-----	-----	------

**Notes:**

[D07C 6907]

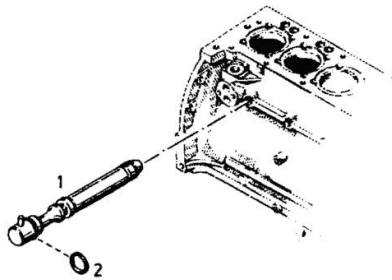
1	02239589	1	sprayer nozzle KOMPLETT
2	01173838	1	oil seal H 002927- 9 X 1,5 -FPM-1-70 H2927-9X1,5-DEUTZ VPM1
950	01001202	1	gasket H 000699-DEUTZ DW 49- 1 KG DEUTZ DW 49/1



Spritzdüse  
Spray nozzle  
Pulverisateur  
Tobera de dispersión

Stück / Zyl.-Einheit  
Pieces / cyl. unit  
Qté / cylindre  
Cantid. / unid. cilind.

0150-01-503 7661

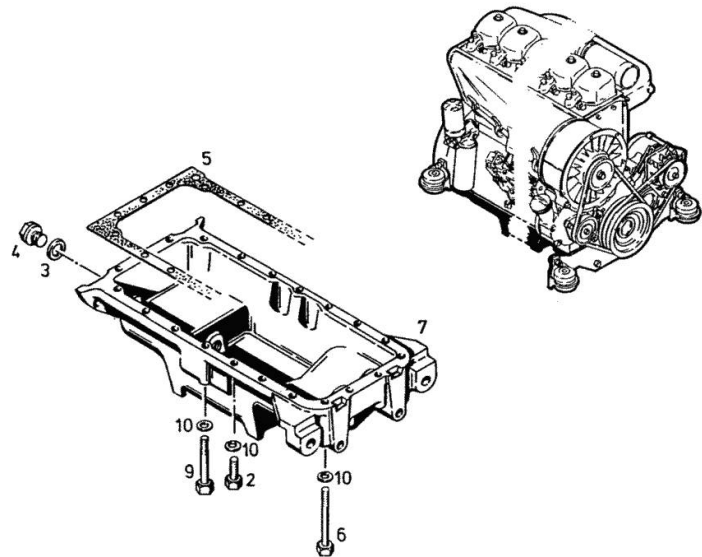




Ölwanne  
Oil pan  
Carter d'huile  
Sumidero de aceite

0150-02-500 4453

1



D07C 6907

Ref: 11.02.20000

Section: ENGINE

### OIL PAN

Fig.	P/n	QTY	Name
<b>Notes:</b> [D07C 6907]			
2	01112341	10	screw m 8 x 30, d933 ISO 004017-M 8 X 30 - 8.8-A4C
3	01118737	1	oil seal 22 x 27 DIN 007603-A 22 X 27 -CU
4	01139720	1	screw DIN 000910- M22X1,5 -ST-A4C
5	03362574	1	gasket
6	01111213	5	screw m 8 x 110 ISO 004014- M 8 X 110 - 8.8-A4 C
7	02237994	1	oil sump
9	01111200	6	screw m8x90 d931 ISO 004014- M 8 X 90 - 8.8-A4 C
10	01107101	21	washer 8.4 DIN 000125-A 8,4-140HV-A4C
950	01007909	5	gasket H 000699-DEUTZ DW 47-1000 CCM DEUTZ DW 47/0,001

Section: ENGINE  
**CYLINDER**

Fig.	P/n	QTY	Name
------	-----	-----	------

Notes:  
 [D07C 6907]

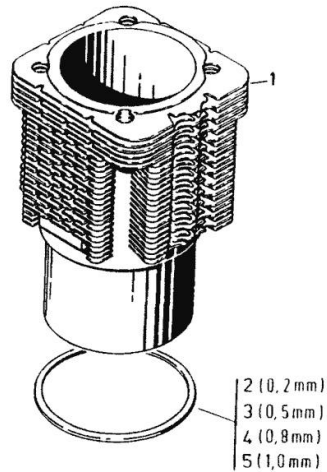
1	04157756	1	engine cylinder 100,00MM RD (3.9370IN.)
2	02137256	3	shim mm 0.20 0,2 MM DICK (0,0079 IN)
3	02232963		shim mm 0.50 0,5 MM DICK (0,0197 IN)
4	04150264		shim 0,8 MM DICK (0,0315 IN)
5	02239331		shim 1,0 MM DICK (0,0394 IN)



Zylinder  
 Cylinder  
 Cylindre  
 Cilindro

Stück / Zyl. - Einheit  
 Pieces / cyl. unit  
 Qté / cylindre  
 Cantid. / unid. cilind.

0150-04-500 3353



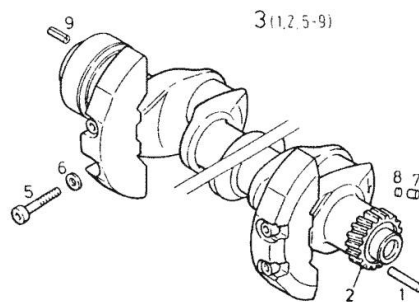
Section: ENGINE  
**CRANKSHAFT**

Fig.	P/n	QTY	Name
<b>Notes:</b> [D07C 6907]			
1	01137239	1	pin ISO 008742- 8 X 45-ST
2	04156890	1	gear
3	02929340	1	crankshaft WITH ITEM .... 12,13,14,15.
5	01137280	8	screw m12x60 d912-10 DIN 000912- M12 X 60 -10.9-OE LGESCHW
6	01216119	8	washer 13x21x1,5 H 002308-13 X21X1,5
7	01170580	4	plug H 002855-A 8X 8
8	01167010	4	washer H 000984- 7,5X 1 -ST
9	01115464	1	pin ISO 008752- 8 X 18
12	03362379	5	bearing
13	02230181	1	shim
14	02230171	1	shim mm 3.00
15	02137750	4	conrod bearing



Kurbelwelle  
Crankshaft  
Vilebrequin  
Cigüeñal

0150-05-0500 4433



Section: ENGINE

**V-GROOVED PULLEY**

Fig.	P/n	QTY	Name
------	-----	-----	------

**Notes:**

[D07C 6907]

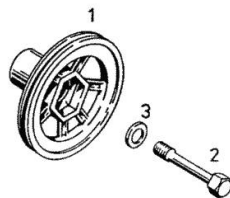
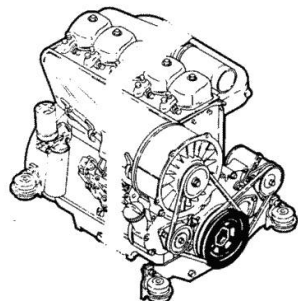
1	02234076	1	pulley
2	01166951	1	screw
3	01216128	1	washer



Kelriemenscheibe  
V-belt pulley  
Poulie de courroie trapézoïdale  
Polea acanalada



0150-05-500 4551





Section: ENGINE

**FLYWHEEL**

Fig.	P/n	QTY	Name
------	-----	-----	------

**Notes:**

[D07C 6907]

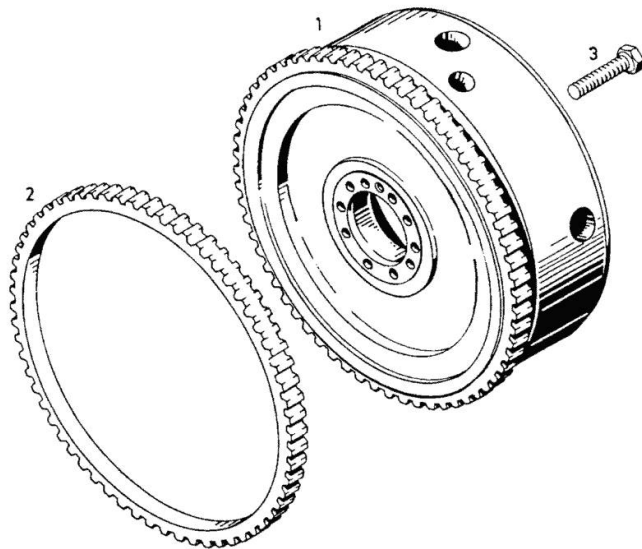
1	02162496	1	flywheel
2	02131081	1	crown wheel
3	01104845	10	screw m10x1x35 10.9 DIN 000961-M10X1 X 35 - 10.9- A4C



Schwungrad  
Flywheel  
Volant  
Volante



0150-05-500 4613



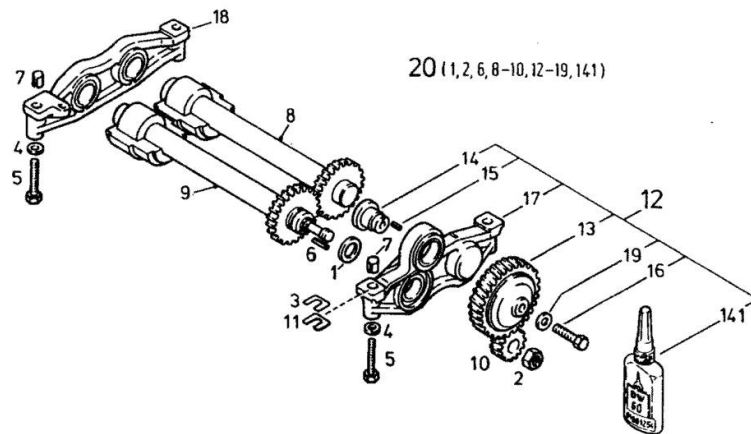
Section: ENGINE  
COUNTERWEIGHTS

Fig.	P/n	QTY	Name
<b>Notes:</b>			
[D07C 6907]			
1	02232166	1	stop
2	01104589	1	nut m 18 p.1.5 DIN 000936-M18X1,5 -22H-A-A4C
3	02135196	2	shim 0,10 MM
4	01216121	4	washer H 002308- 8,4X14X1,5
5	01112365	4	screw ISO 004017-M 8 X 60 - 10.9-A4 C
6	01115406	1	pin ISO 008752- 3 X 14
7	01174580	4	bush H 002341-B11X14
8	02237756	1	shaft
9	02237757	1	shaft
10	02236479	1	pinion
11	02236511	2	shim 0,30 MM
12	04150632	1	cover BESTEHT AUS POS. ... 13-17,19,141
13	02236476	1	gear wheel
14	02236507	1	pin
15	01115403	1	pin ISO 008752- 3 X 8
16	01139357	1	screw ISO 004017-M 8 X 40 - 10.9-OE LGESCHW
17	02236999	1	stop
18	02236983	1	none
19	01172303	1	washer H 002308- 8,4X15X3
20	02238382	1	gear BESTEHT AUS POS. ... 01,02,06,08-10,12-19,141
141	01001254		guard H 000699-DEUTZ DW 60- 50 ML



Massenausgleich - Getriebe  
Mass - balancing gear  
Mécanisme d'équilibrage des masses  
Engranaje de compensación de masas

0150-05-503 4459



Section: ENGINE

**CONNECTING ROD PIECE/CYL.-UNIT**

Fig.	P/n	QTY	Name
------	-----	-----	------

**Notes:**

[D07C 6907]

1	03371614	1	engine connecting rod JE NACH RATIONELLER AUSLASTUNG DER FERTIGUNGSEINRICHTUNG WERDEN BEIM F L913 ZWEI VERSCHIEDENE PLEUELSTANGEN-AUSFUEHRUNGEN, MIT UND OHNE ABGLEICHGEWICHTEN, WAHLWEISE EINGEBAUT. BEI ERSATZLIEFERUNG IST DARAUF ZU ACHTEN, DASS IN EINEM MOTOR
2	02137750	1	conrod bearing NORMAL 60.00 MM RD (2.3622 IN.) UNDERSIZE STEP ITEM 950-955
3	03371587	1	pin
4	03371612	1	bush 0155-06-05.05
5	02235520	2	screw
950	02137754		conrod bearing 1. UNDERSIZE STEP 59.75 MM RD. (2.3523 IN.)
951	02137758		conrod bearing 2. UNDERSIZE STEP 59.50 MM RD. (2.3425 IN.)
952	02137762		conrod bearing 3. UNDERSIZE STEP 59.25 MM RD. (2,3327 IN.)
953	02137766		conrod bearing 4. UNDERSIZE STEP 59.00 MM RD. (2,3228 IN.)
954	02137770		conrod bearing 5. UNDERSIZE STEP 58.75 MM RD. (2,2130 IN.)
955	02137774		conrod bearing 6. UNDERSIZE STEP 58.50 MM RD. (2,3031 IN.)

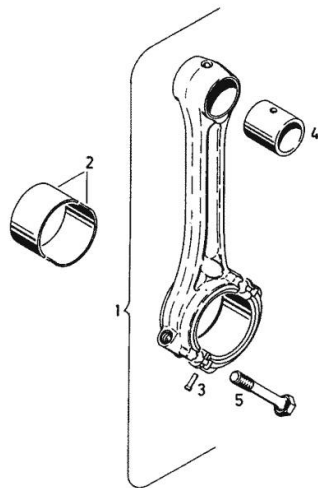


Pleuelstange  
Connecting rod  
Bielle  
Biela

Stück / Zyl. - Einheit  
Pieces / cyl. unit  
Qté / cylindre  
Cantid. / unid. cilind.



0150-06-500 3386



Thank you so much for reading.  
Please click the “Buy Now!”  
button below to download the  
complete manual.



After you pay.

You can download the most  
perfect and complete manual in  
the world immediately.

Our support email:

[ebooklibonline@outlook.com](mailto:ebooklibonline@outlook.com)