

Section: ENGINE
CRANKCASE

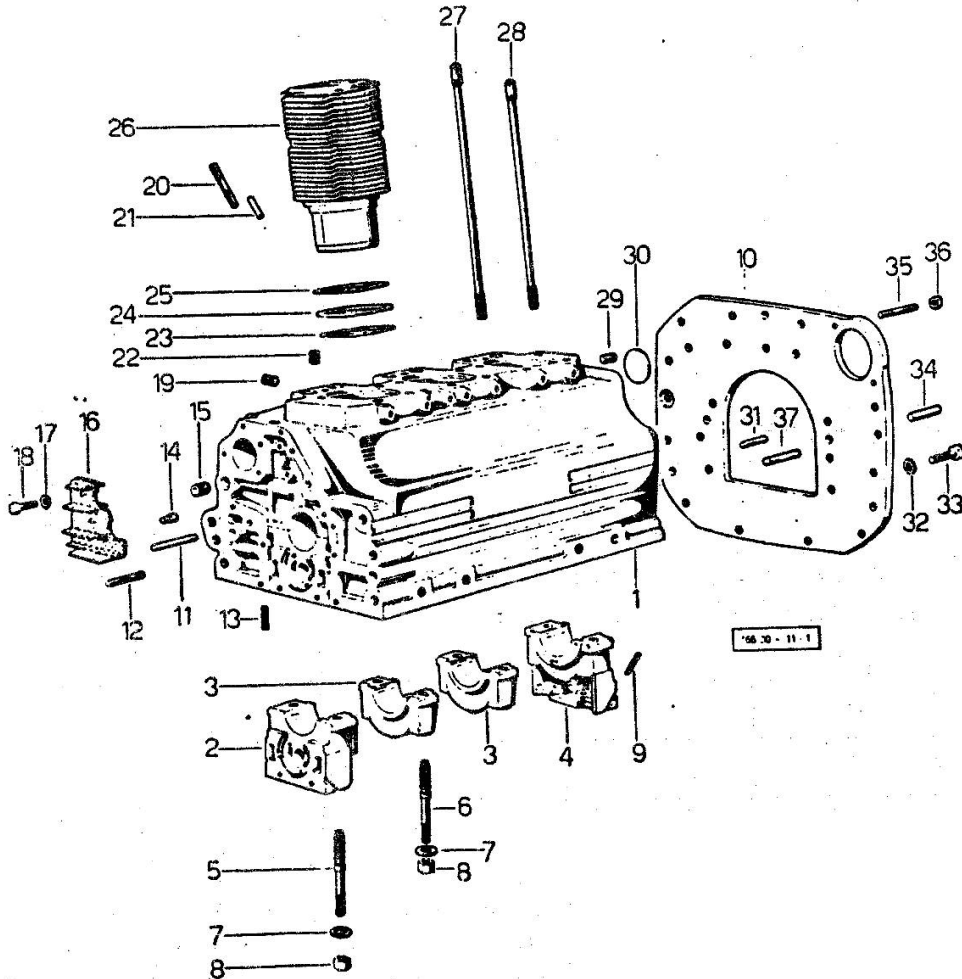


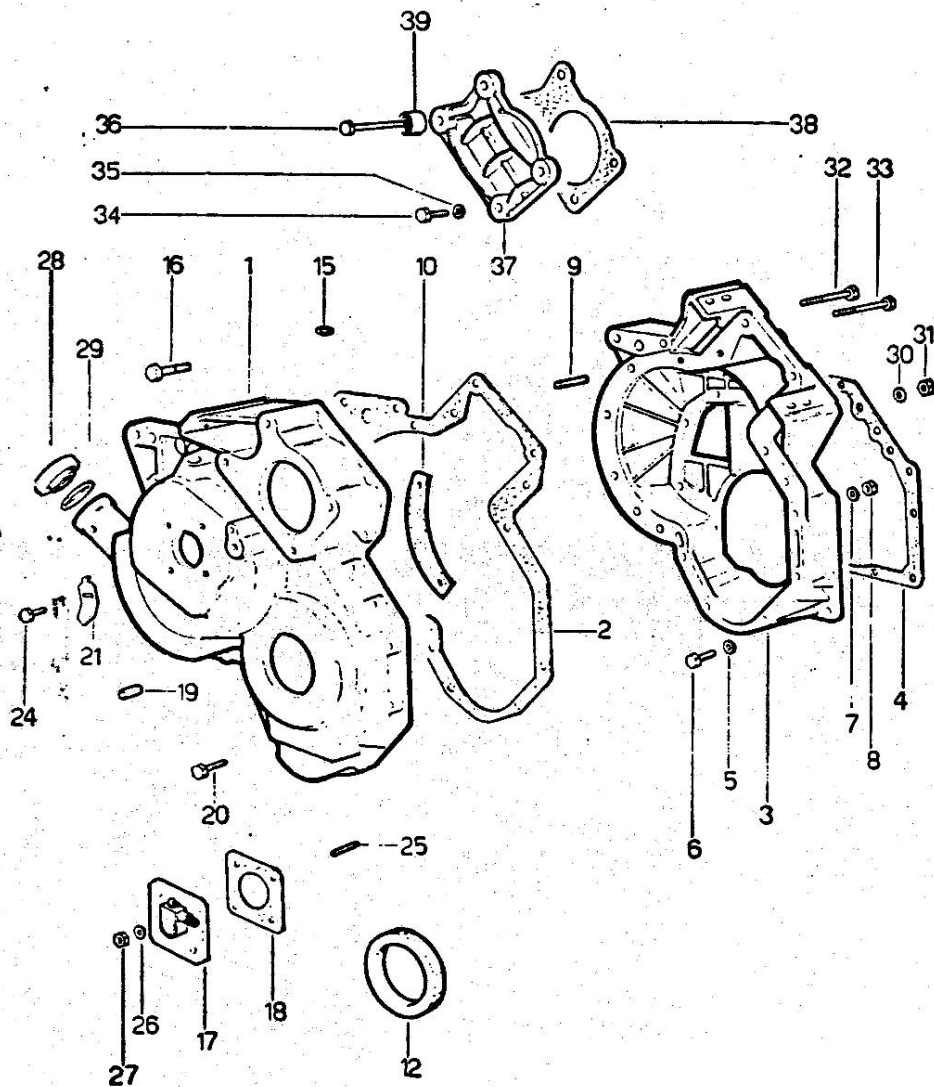
Fig.	P/n	QTY	Name
Notes: [FALCON 50]			
1	0.035.0050.6/10	1	gasket set - FOR ENGINE MOUNTING
1	0.035.1110.4/40	1	crankcase
2	0.004.8776.0	1	support
3	0.029.1113.0	2	support
4	0.029.1116.0	1	support
5	0.021.1157.0	4	stud bolt
7	2.1599.144.7	8	shoulder ring 12.5x23x4
8	2.1019.026.7	8	special nut m 12 p.1.5
9	0.029.1154.0	4	gasket
10	0.029.1130.0/20	1	flange
11	2.1699.116.0	1	pin
12	2.0432.018.1	5	stud bolt m 8 p.1.25 / p.1 x 65
13	2.0432.003.1	24	stud bolt m 8 p.1.25 / p.1 x 20
14	2.1699.021.0	1	pin 7.8x8x20
15	2.3130.002.1	1	plug 1/4" gas
16	0.029.1155.2/20	1	plate
17	2.1470.002.2	2	lock washer 6
18	2.0112.002.2	2	screw m 6 p.1 x 10
19	2.3139.001.1	3	plug
20	2.0432.267.1	2	stud bolt m 12 p.1.75-1.25x60
21	2.1653.708.0	1	pin 8x18
22	2.3130.001.1	3	plug 1/8" gas
23	2.1569.055.0	3	shim
24	2.1589.037.0	3	shim
25	2.1589.036.0	3	shim
26	0.036.1120.0/10	3	engine cylinder
27	0.039.1122.0	12	stud bolt m 12 p.1.5x310
28	0.037.1122.0	3	stud bolt
29	2.3130.002.1	1	plug 1/4" gas
30	2.3170.022.1	1	expansion plug 60
31	2.1653.708.0	2	pin 8x18 31053 <=
32	2.1470.008.2	11	lock washer 14
33	2.0112.511.1	11	screw m 14 p.2 x 30
34	2.1652.911.0	2	cylindrical plug 12x25
35	2.0439.033.1	2	stud bolt m 10x28
36	2.1011.421.2	2	nut m 10 p.1.25
37	2.0432.155.1	2	stud bolt m 10 p.1.5 / p. 1.25 x 25

Section: ENGINE
TIMING CASE

Fig.	P/n	QTY	Name
------	-----	-----	------

Notes:
[FALCON 50]

1	0.027.1155.0/30	1	governor housing 35286 <=
1	0.027.1155.0/40	1	guard => 35287
2	0.027.1156.0	1	gasket
3	0.027.1154.0/30	1	flange
4	0.029.1153.0/10	1	gasket
5	2.1480.014.1	8	washer 8
6	2.0112.207.2	8	screw m 8 p 1.25 x 20
7	2.1480.014.1	15	washer 8
8	2.1011.405.2	15	nut m 8 p.1
9	2.0439.060.2	3	stud bolt m 8 p.1.25-1x22
10	0.027.1152.0/20	1	small plate
12	2.1519.010.0	1	special oil seal 58x80x10
15	2.1530.028.0	1	oil seal 11.91 x 2.62
16	2.0122.222.2	1	screw
17	2.7049.210.0/20	1	transmission
18	0.026.1150.0	1	gasket
19	2.1653.711.0	1	pin
20	2.0122.213.2	4	screw m 8 p.1x35
21	0.027.1150.0/10	1	index
24	2.0112.103.1	1	screw m 7 p.1.x12
24	2.0112.204.2	1	screw m 8 p.1.25x14
25	2.0439.055.1	4	stud bolt m 6 p.1 x 18
26	2.1474.007.1	4	spring washer 6
27	2.1011.103.2	4	nut m 6 p.1
28	0.022.1135.3	1	plug
29	2.1569.048.0	1	gasket
30	2.1474.009.1	2	spring washer 8
31	2.1011.405.2	1	nut m 8 p.1
32	2.0122.224.1	1	screw
33	2.0122.225.2	1	screw m 8 p.1x80
34	2.0112.211.2	2	screw m 8 p.1.25 x 30
35	2.1474.009.1	4	spring washer 8
36	2.0122.233.2	2	screw
37	0.029.1163.0	1	small cover
38	0.054.1155.0	1	gasket
39	2.1579.191.2	2	spacer 8.5 x 18 x 20



Section: ENGINE

CRANKSHAFT

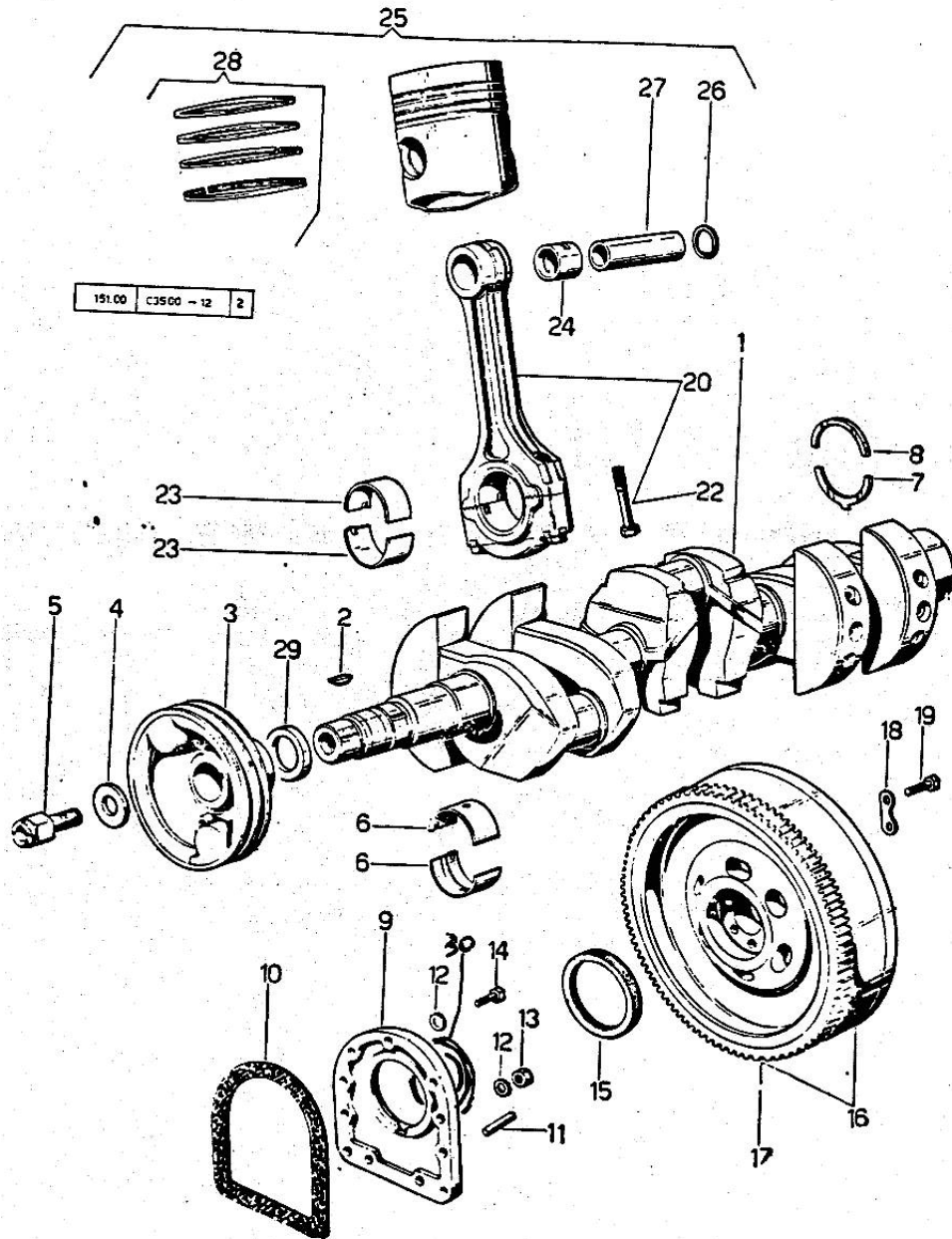


Fig.	P/n	QTY	Name
1	0.029.1210.3/30	1	crankshaft 35286 <=
1	0.029.1210.4/30	1	crankshaft 35286 <=
1	0.053.1210.3	1	old part number => 35287
1	0.053.1210.4	1	crankshaft => 35287
1	2.0313.316.1	12	screw m 10 p.1.5 x 50
1	2.1474.010.1	12	spring washer 10
2	2.1799.002.0	1	stick 10x13
3	0.035.1244.0/20	1	pulley 35286 <=
3	0.035.1265.0	1	pulley => 35287
4	0.001.6020.0	1	shoulder
5	2.0129.032.2	1	screw m 24 p.2x45
6	0.029.0066.0	8	main half bushing - mm 1.00
6	0.029.1215.0/10	8	main half bushing
6	0.029.1215.7	8	main half bushing - mm 0.25
6	0.029.1215.8	8	main half bushing - mm 0.50
6	0.029.1215.9	8	main half bushing - mm 0.75
7	0.001.4547.0	2	shoulder ring + mm 0.05
7	0.001.4548.0	2	shoulder ring + mm 0.10
7	0.001.4549.0	2	shoulder ring + mm 0.15
7	0.042.1219.0	2	shoulder ring STANDARD
8	0.001.4544.0	2	shoulder ring + mm 0.05
8	0.001.4545.0	2	shoulder ring + mm 0.10
8	0.001.4546.0	2	shoulder ring + mm 0.15
8	0.042.1218.0	2	shoulder ring STANDARD
9	0.029.1240.0/10	1	flange 31053 <=
9	0.045.1240.0	1	flange => 31054
10	0.029.1250.0	1	gasket
11	2.1652.915.0	2	cylindrical plug 12x35
12	2.1480.015.1	8	washer 10
13	2.1011.421.2	2	nut m 10 p.1.25
14	2.0112.309.2	9	screw m 10 p.1.5 x 25
15	2.1519.009.0	1	special oil seal
16	0.029.1241.3/10	1	flywheel

Notes:
[FALCON 50]

Section: ENGINE

CRANKSHAFT

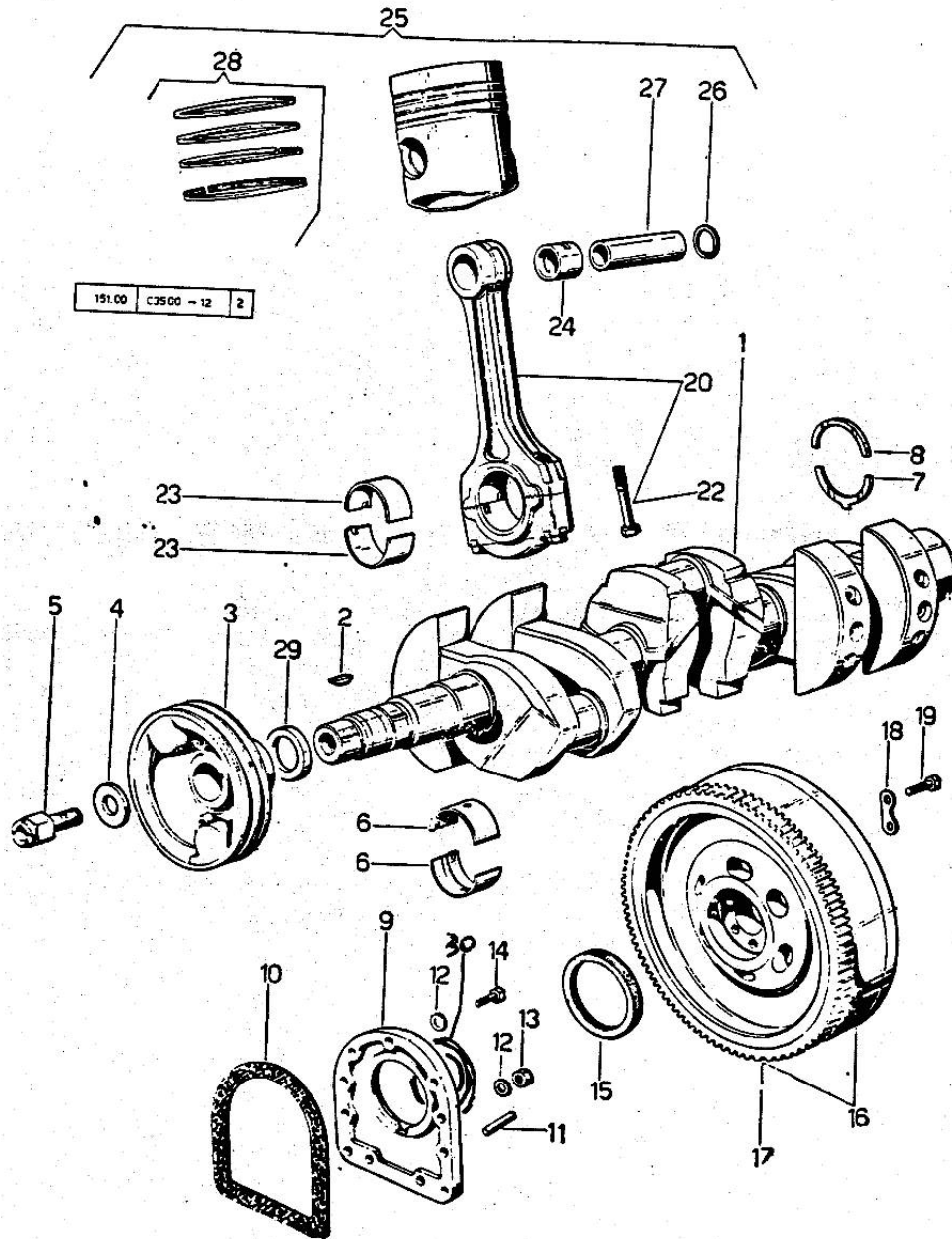


Fig.	P/n	QTY	Name
			=> 3241 - 13570 <=
16	0.035.1255.3	1	old part number 3240 <=
16	0.054.1252.3/30	1	flywheel -> 13571
17	0.029.1242.0	1	crown wheel Z = 120, mm 20 TOOTH THICKNESS 20 MM
17	0.038.1242.0	1	crown wheel Z = 120, mm 15 TOOTH THICKNESS 15 MM
18	2.1379.006.0	3	lock-tab 15x15x36,5
19	2.0122.515.7	6	screw
20	0.039.1220.3/30	3	engine connecting rod
22	0.039.1250.0	3	screw m 14 p.1.5x63
23	0.039.0068.0	6	con.rod half bushing - mm 1.016
23	0.039.1225.0	6	con.rod half bushing
23	0.039.1225.7	6	con.rod half bushing -mm 0.254
23	0.039.1225.8	6	con.rod half bushing -mm 0.508
23	0.039.1225.9	6	con.rod half bushing -mm 0.762
24	0.002.4168.0	3	bearing
25	0.036.0060.6/10	3	complete piston
25	0.036.0061.6/10	3	complete piston + mm 0.50
25	0.036.0062.6/10	3	complete piston + mm 1.00
26	2.1411.014.1	6	circlip 35
27	0.002.4167.0	3	piston pin
28	0.053.0052.6/10	3	piston ring set
28	0.053.0053.6/10	3	piston ring set + mm 0.50
28	0.053.0054.6/10	3	piston ring set + mm 1.0
29	0.034.1256.0	1	spacer
30	2.1599.404.0	1	shoulder ring => 31054

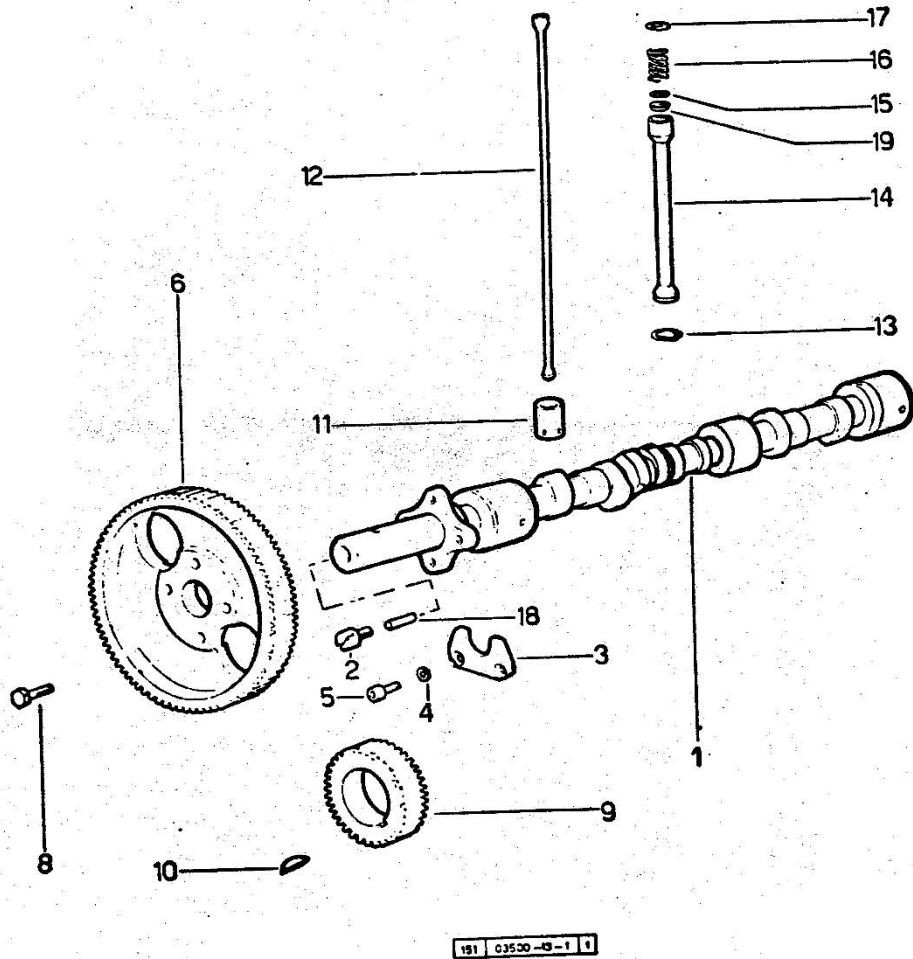
Section: ENGINE

CAMSHAFT

Fig.	P/n	QTY	Name
------	-----	-----	------

Notes:
[FALCON 50]

1	0.035.1310.0/10	1	camshaft
2	0.027.1350.0//20	1	-
3	0.027.1314.0	1	flange
4	2.1470.004.2	2	lock washer 8
5	2.0312.206.2	2	screw m 8 p 1.25 x 20
6	0.035.1321.0	1	gear
8	2.0139.006.1	4	screw
9	0.029.1320.0	1	gear Z = 45 35286 <= => 35287
9	0.029.1320.0/10	1	gear wheel => 35287
10	2.1720.010.0	1	key 5x9
11	0.002.3909.0	6	tappets
12	0.037.1331.0	6	rod
13	2.1529.018.0	6	old part number
14	0.039.1332.0/10	6	sleeve
15	2.1539.022.0	6	special oil seal 12.37x2.62
16	2.4019.149.1	6	spring 14x29x2
17	2.1569.037.0	6	gasket
18	2.1650.513.0	1	pin 6 x 30
19	0.039.1350.0	6	ring 2641 <=



Section: ENGINE
CYLINDER HEAD

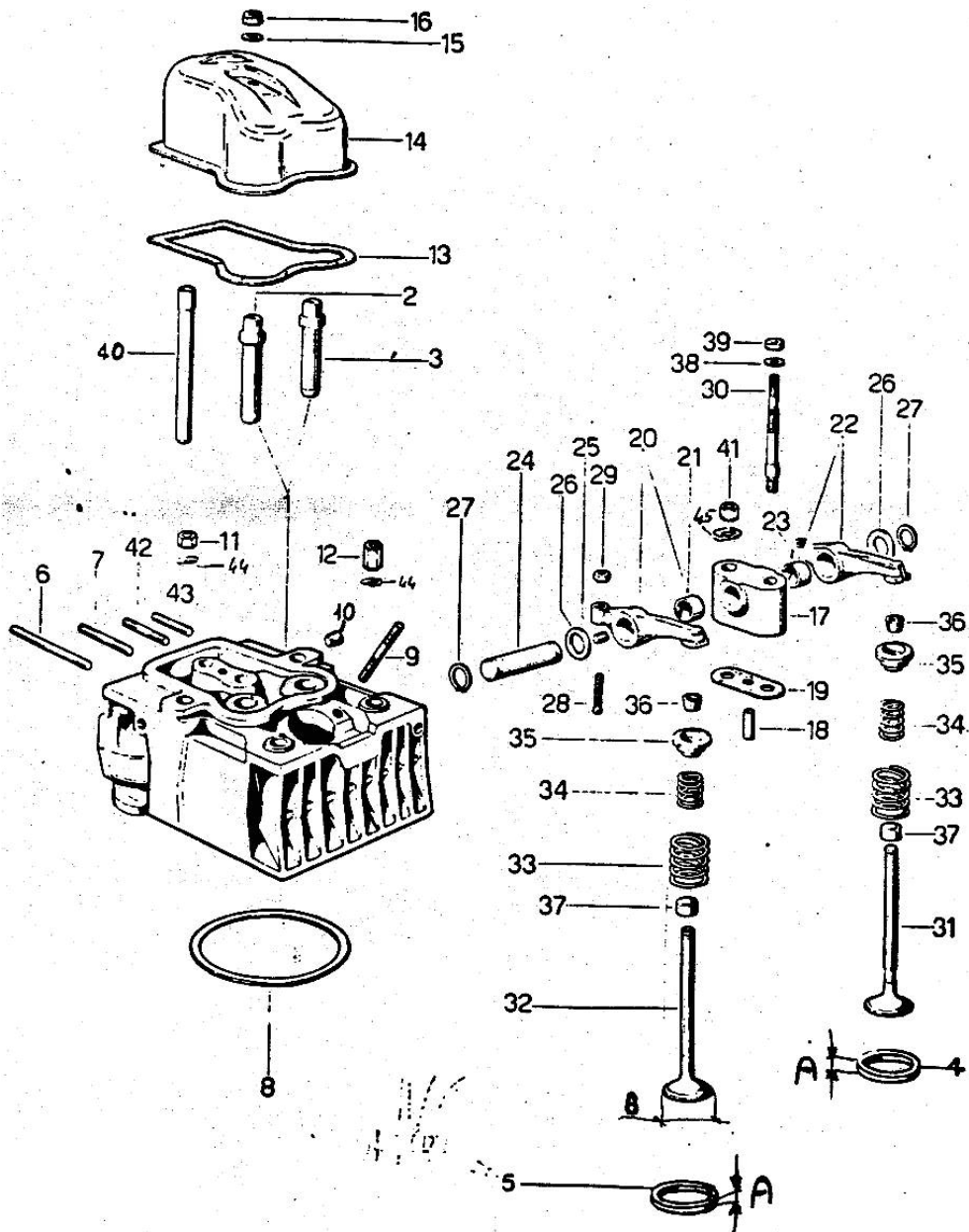


Fig.	P/n	QTY	Name
------	-----	-----	------

Notes:
[FALCON 50]

0	0.034.0057.6	1	gasket set - FOR 1 CYLINDER VALVE GRINDING AND PISTON RINGS REPLACEMENT
1	0.036.1410.6/20	3	engine head 3145 <=
1	0.037.1450.3/30	3	engine head => 3146
2	0.037.1416.0	3	valve guide
3	0.037.1417.0/10	3	valve guide
4	0.037.1452.0	3	valve seat EXHAUST A = 6.4 MM
4	0.037.1452.0/10	3	valve seat EXHAUST A = 6.2 MM
5	0.037.1451.0	3	valve seat INTAKE A = 6.4 MM
5	0.037.1451.0/10	3	valve seat INTAKE A = 6.2 MM
6	2.0432.026.1	2	stud bolt m 8 p.1.25 - 1.00 x 110
7	2.0432.022.1	1	stud bolt m 8 p 1.25-1x85
8	2.1569.056.0/10	3	gasket
9	2.0439.087.1/20	6	stud bolt m 8 p.1.25 / p.1 x 40
10	2.3130.001.1	3	plug 1/8" gas
11	2.1019.025.0	7	special nut m 12 p.1.5
12	2.1019.037.0	5	special nut m 12 p.1.5
13	0.029.1450.0	3	gasket
14	0.039.1440.0	3	cap
15	2.1560.004.0	3	copper gasket 8.2 x 14
16	2.1099.056.1	3	special nut m8 p.1
17	0.034.1430.0	3	support
18	0.029.1452.0	3	tube
19	0.034.1450.0	3	tappet gasket
20	0.002.5937.3/30	3	rocker arm
21	2.1559.021.0/40	3	bushing 15x19x22
22	0.002.5936.3/40	3	rocker arm
23	2.1559.021.0/40	3	bushing 15x19x22
24	0.029.1431.0	3	pin
25	2.0512.102.1	3	screw m 6 p.1 x 8
26	2.1599.019.0	6	shoulder ring 19.5x31x2
27	2.1410.055.1	6	circlip 19
28	0.021.1434.0	6	screw
29	2.1019.039.1	6	old part number

Section: ENGINE
CYLINDER HEAD

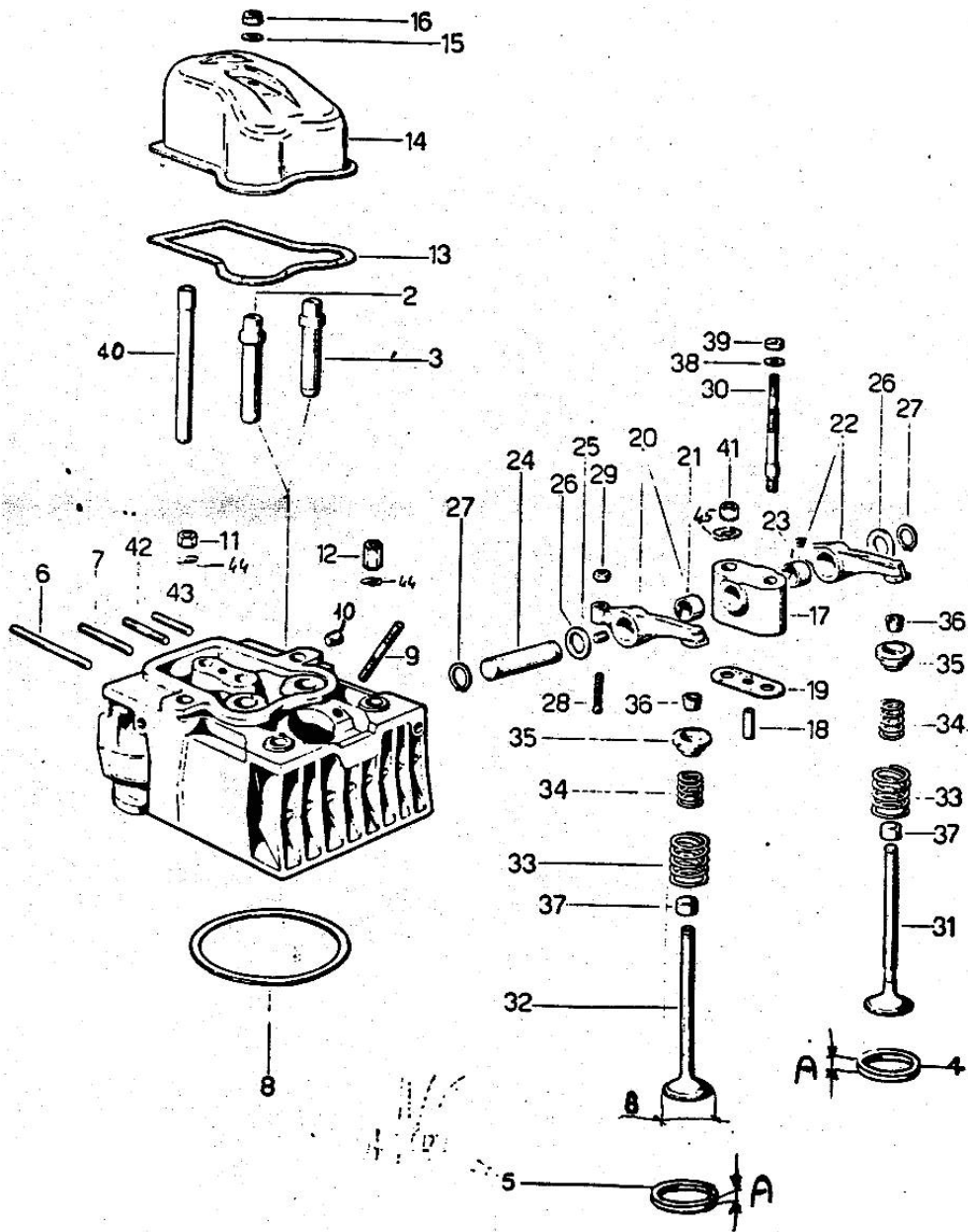


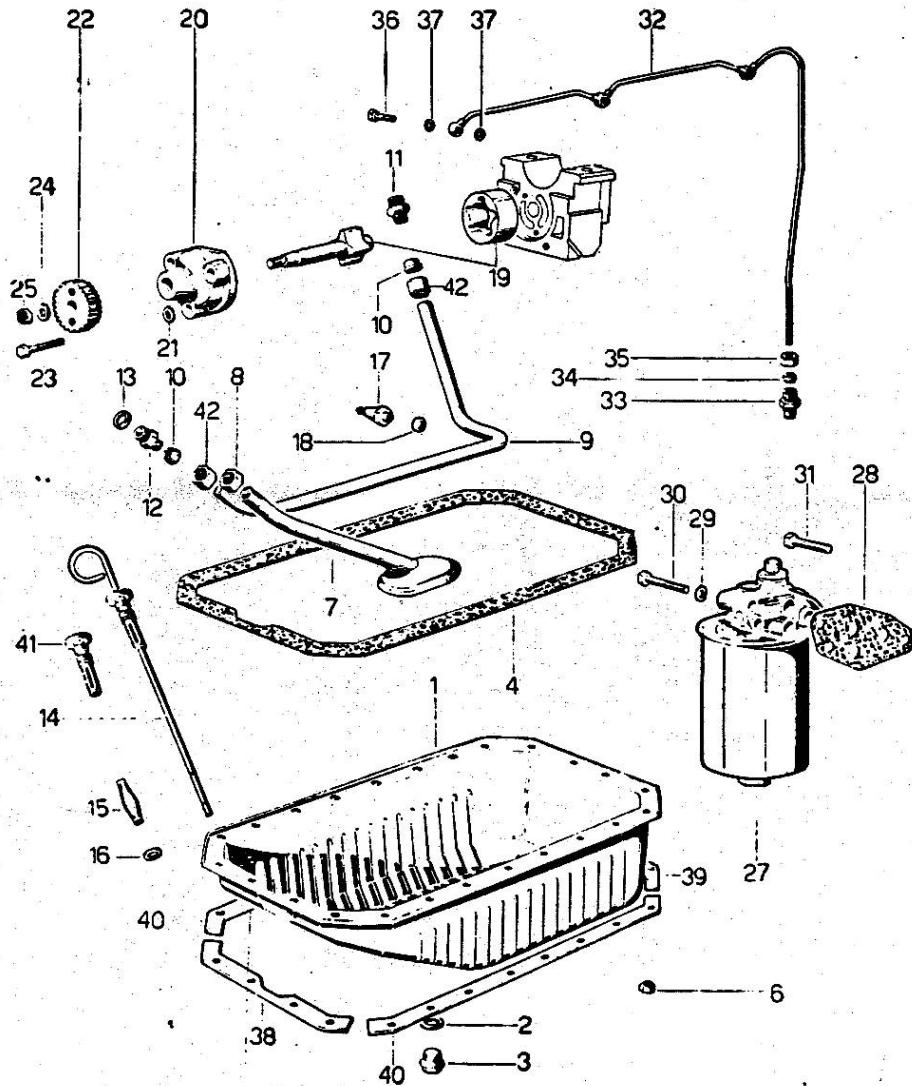
Fig.	P/n	QTY	Name
30	0.039.1451.0	3	stud bolt
31	0.039.1421.0	3	exhaust valve Ø mm 9
32	0.037.1420.0	3	inlet valve Ø mm 9 B=MM 39.5
32	0.039.1420.0	3	inlet valve B=MM 42
33	2.4019.193.0	6	spring 36.15x55.2x3.2
34	2.4019.194.0	6	spring 22.70x50.7x2.1
35	0.002.9215.0/10	6	cup
36	0.002.9193.0/10	6	conical valve cotter
37	0.021.1453.0/20	6	small cover
38	2.1310.006.2	3	flat washer 10.5x21
39	2.1011.421.2	3	nut m 10 p.1.25
40	0.029.1418.0	6	sleeve
41	2.1099.037.2	12	special nut m 22 p.1.5
42	2.0432.007.1	3	stud bolt m 8 p.1.25 / p.1 x 30
43	2.0432.003.1	3	stud bolt m 8 p.1.25 / p.1 x 20
44	2.1599.406.0	12	shoulder ring
45	2.1599.160.0	12	washer 10.5x19x4

Section: ENGINE
LUBRICATION

Fig.	P/n	QTY	Name
------	-----	-----	------

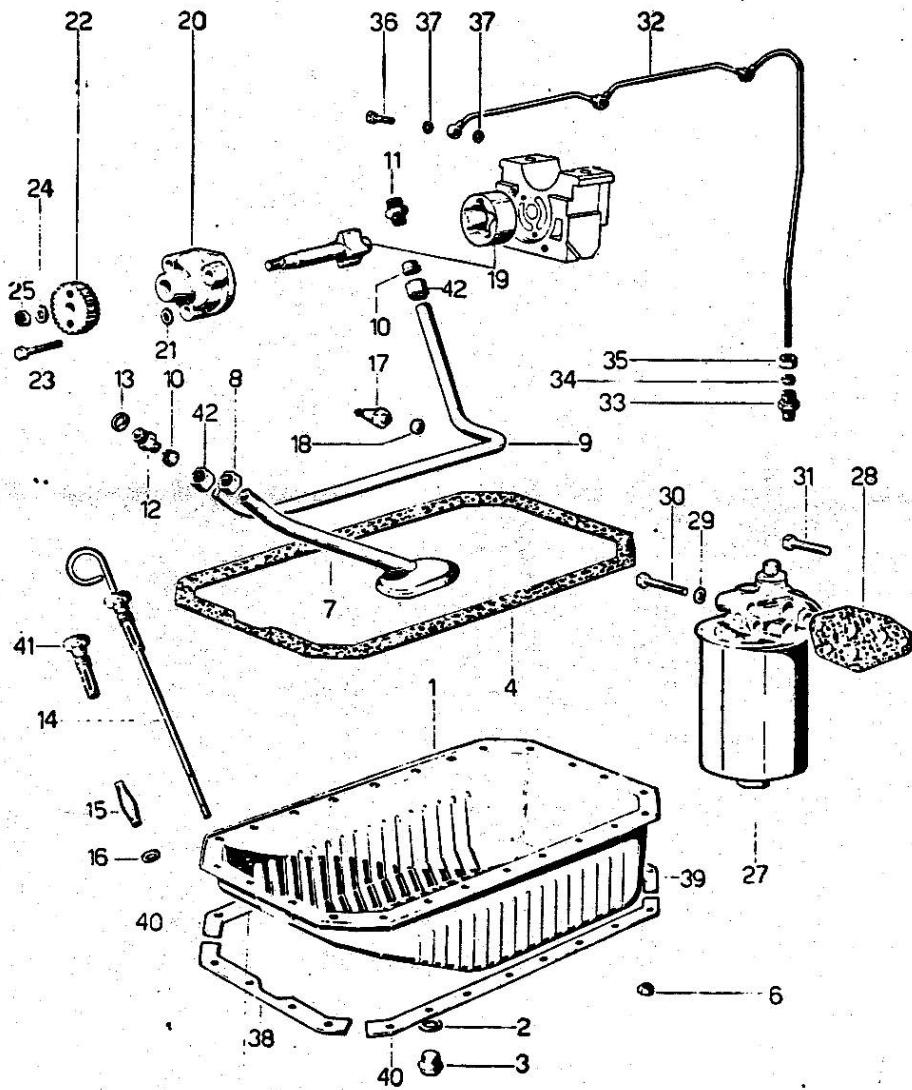
Notes:
[FALCON 50]

1	0.035.1510.6	1	oil sump ORDER ALSO: 2x 035.1551.0/10
2	2.1560.054.0	1	gasket 21 x 26
3	2.3199.001.2	1	plug 1/2" gas
4	0.029.1512.2	1	gasket
6	2.1011.405.2	24	nut m 8 p.1
7	0.035.1531.3	1	tube
8	2.1099.026.1	1	special nut
9	0.029.1534.0	1	tube
10	2.3359.004.2	2	ring
11	2.3319.014.1	1	pipe union
12	2.3319.013.1	1	pipe union
13	2.1560.013.0	1	gasket 18.2x22
14	0.036.1513.3	1	dipstick
15	0.000.9318.0	1	spring
16	0.000.8601.0	1	gasket
17	2.7099.040.0/10	1	pressure switch
18	2.1560.008.0	1	gasket 12.2 x 18
19	0.029.1522.3/10	1	shaft
20	0.029.1520.0	1	pump casing
21	2.1470.004.2	3	lock washer 8
22	0.029.1521.0/10	1	gear
23	2.0112.215.2	3	screw m 8 p.1.25 x 40
24	2.1310.006.2	1	flat washer 10.5x21
25	2.1011.107.2	1	nut m 12 p.1.75
27	2.4419.130.0/10	1	oil filter 01.00.6
28	0.037.1552.0/10	1	gasket
29	2.1480.015.1	3	washer 10
30	2.0112.320.2	2	screw m 10 p.1.5 x 55
31	2.0112.315.2	1	screw m 10 p.1.5 x 40
32	0.038.1536.3/10	1	tube
33	2.3319.002.1	1	pipe fitting
34	2.3350.002.1	1	nosepiece 6, d128
35	2.3360.002.1	1	union nut m 10
36	2.3339.001.0	3	pipe fitting m 10 p.1
37	2.1560.006.0	6	gasket 10.2 x 16
38	0.053.1550.0/10	1	small plate
39	0.053.1551.0	1	small plate
40	0.035.1551.0/10	2	small plate
41	0.034.1551.0	2	gasket



Section: ENGINE
LUBRICATION

Fig.	P/n	QTY	Name
42	2.3369.009.1	2	union nut

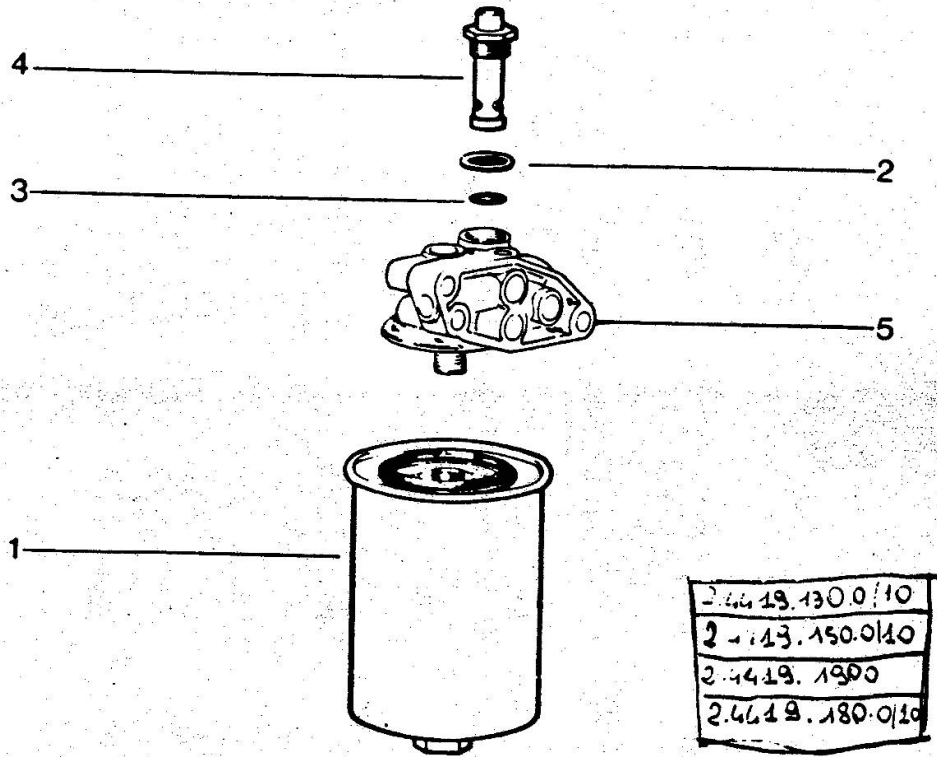


DETAILS OF OIL FILTER

Fig.	P/n	QTY	Name
------	-----	-----	------

Notes:
[FALCON 50]

0	2.4419.130.0/10	1	oil filter
1	2.4419.150.1	1	oil filter element
2	2.4419.130.4	1	gasket
3	2.1530.045.0	1	oil seal 17.86x2.62
4	2.4419.130.2	1	valve
5	0.000.0000.1	1	cannot be supplied



Thank you so much for reading.
Please click the “Buy Now!”
button below to download the
complete manual.



After you pay.

You can download the most
perfect and complete manual in
the world immediately.

Our support email:

ebooklibonline@outlook.com