

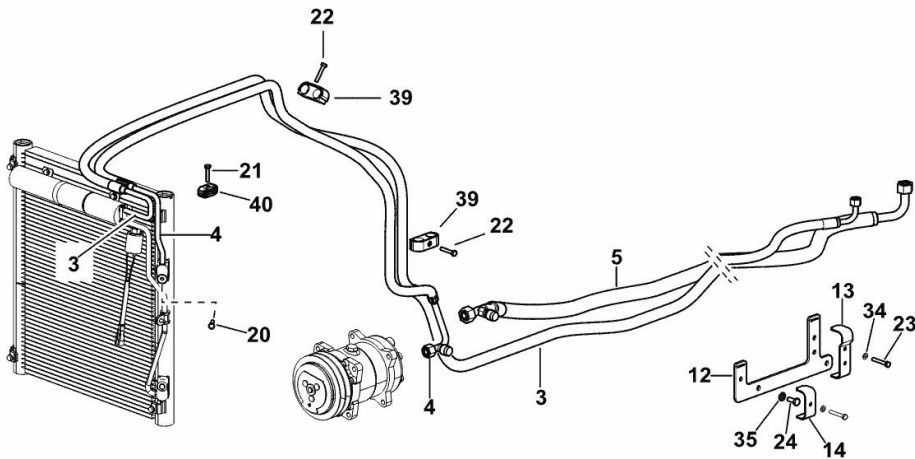
**AIR CONDITIONING SYSTEM**

Fig.	P/n	QTY	Name
------	-----	-----	------

**Notes:**

[FORTIS 180 Infinity ->WSXAU00200LS50010]

3	0.019.0232.3	1	tube
4	0.019.0233.3/10	1	tube
5	0.019.0297.3	1	tube
12	0.018.2972.3	1	bracket
13	0.017.6475.0	1	bracket
14	0.017.6474.0	1	bracket
20	2.0112.009.2	2	screw m 6 p.1 x 25
21	2.0112.011.2	1	screw m 6 p.1x30
22	2.0112.013.2	2	screw m 6 p.1 x 35
23	2.0112.015.2	3	screw m 6 p.1x40
24	2.0112.207.2	4	screw m 8 p 1.25 x 20
34	2.1310.002.2	9	flat washer 6.4x12.5
35	2.1310.004.2	4	flat washer 8.4x17
39	2.3320.321.0	2	terminal Ø 20/20
40	2.3321.007.0	1	collar Ø10/10



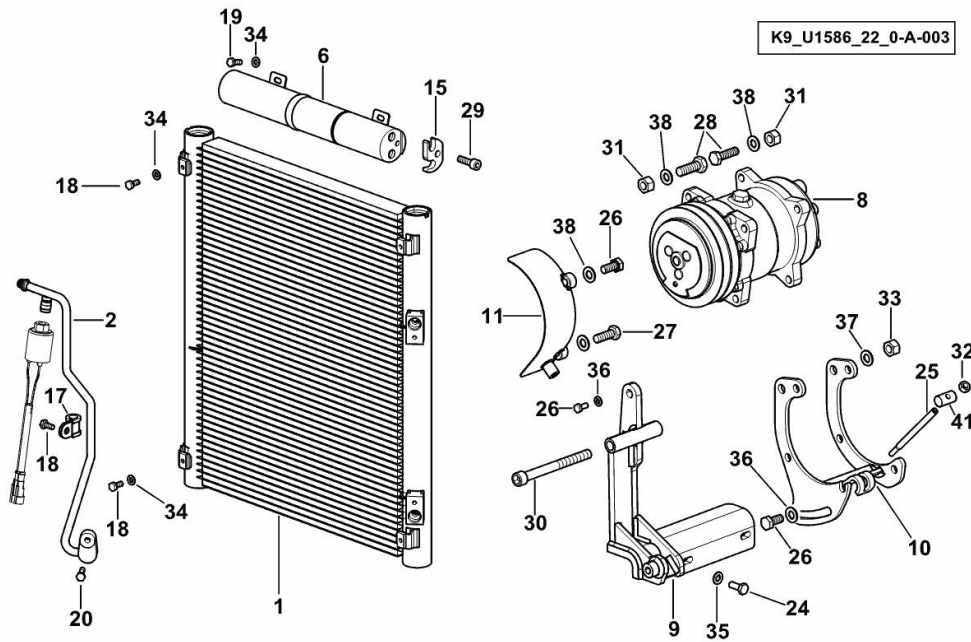
K9\_U1586\_22\_0-B-001

**AIR CONDITIONING SYSTEM**

Fig.	P/n	QTY	Name
------	-----	-----	------

**Notes:**

[FORTIS 180 Infinity ->WSXAU00200LS50010]



1	0.018.6448.4	1	condenser
2	0.019.0231.3	1	tube
6	0.019.0794.4/10	1	filter
8	04437339/10	1	compressor R 134a ☞ 04437339/10
9	0.019.4852.2/20	1	bracket
10	0.020.1353.3	1	bracket
11	0.018.4240.2/20	1	guard
15	0.015.4226.0/20	1	spacer
17	2.6839.055.0	1	clamp Ø 11 / 20
18	2.0112.004.2	5	screw m 6 p.1 x 14
19	2.0112.005.2	2	screw m 6 p.1 x 16
20	2.0112.009.2	2	screw m 6 p.1 x 25
24	2.0112.207.2	4	screw m 8 p 1.25 x 20
25	2.0119.215.2	1	screw m 8 p.1.25 x 125
26	2.0112.308.2	4	screw m 10 p.1.5x22
27	2.0112.311.2	1	screw m 10 p.1.5 x 30
28	2.0112.313.2	4	screw m 10 p.1.5 x 35
29	2.0312.208.2	1	screw m 8 p.1.25 x 25
30	2.0319.038.2	1	screw m 12x125
31	2.1011.006.2	5	nut m 10 p.1.5
32	2.1011.105.2	1	nut m 8 p.1.25
33	2.1121.008.2	1	nut m 12
34	2.1310.002.2	9	flat washer 6.4x12.5
35	2.1310.004.2	4	flat washer 8.4x17
36	2.1310.006.2	3	flat washer 10.5x21
37	2.1310.007.2	2	flat washer 13 x 24
38	2.1475.003.2	6	washer 10
41	0.019.4856.0	1	small block

**AIR CONDITIONING RADIATOR SUPPORT**

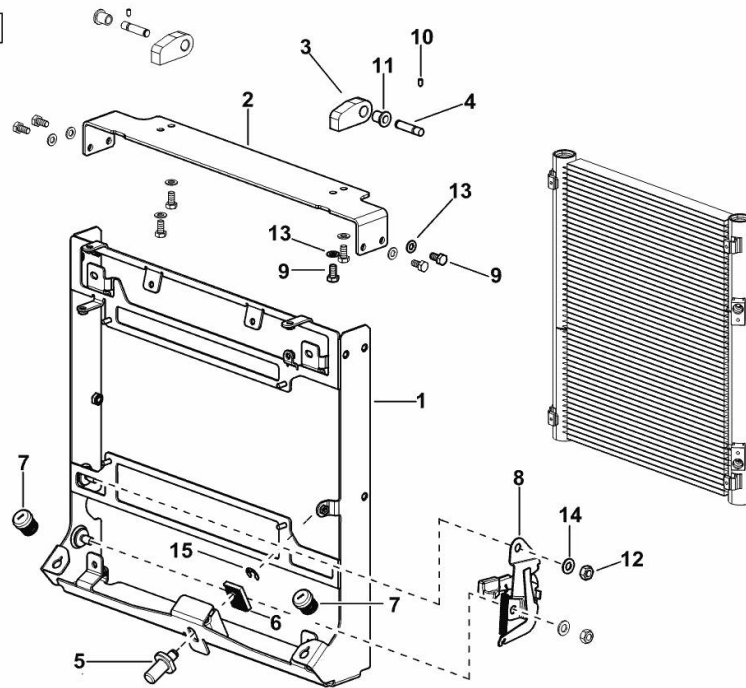
Fig.	P/n	QTY	Name
------	-----	-----	------

**Notes:**

[FORTIS 180 Infinity ->WSXAU00200LS50010]

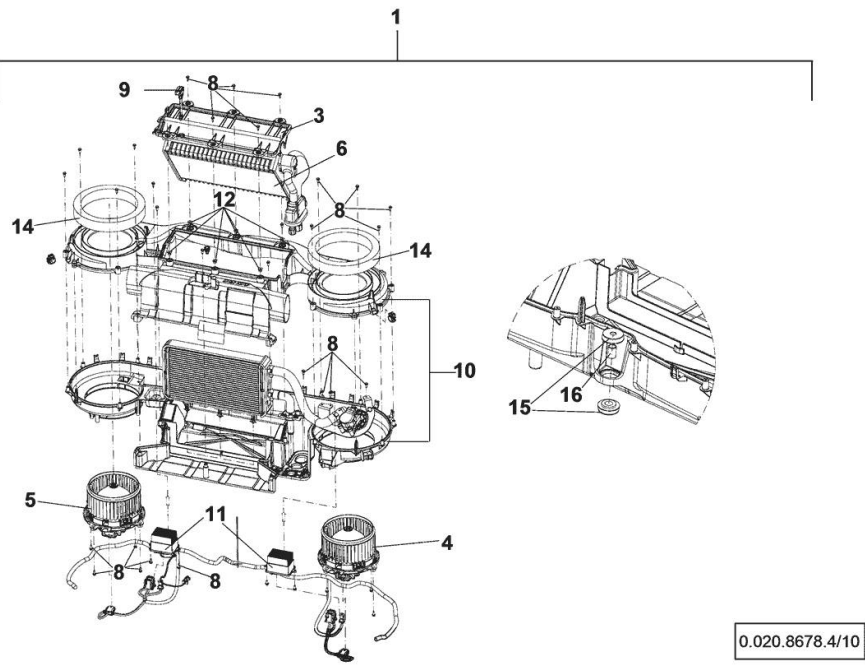
1	0.019.1005.4/30	1	chassis frame
2	0.019.0998.0	1	bracket
3	0.019.0157.0/10	2	small block
4	0.019.0156.0	2	pin
5	0.018.4709.0/10	1	pin
6	0.015.5537.0/10	1	small plate
7	0.013.4391.0	2	stopper
8	0.022.0282.4	1	lock ( -> 50010 )
9	2.0112.205.2	8	screw m 8 p.1.25 x 16
10	2.0532.003.7	2	grub screw m 5x10
11	2.1559.147.0	2	bushing
12	2.1011.106.2	2	nut m 10 p.1.5
13	2.1310.004.2	8	flat washer 8.4x17
14	2.1310.006.2	2	flat washer 10.5x21
15	2.1430.011.7	1	circlip 10

K9\_U1686\_23\_0-A-001



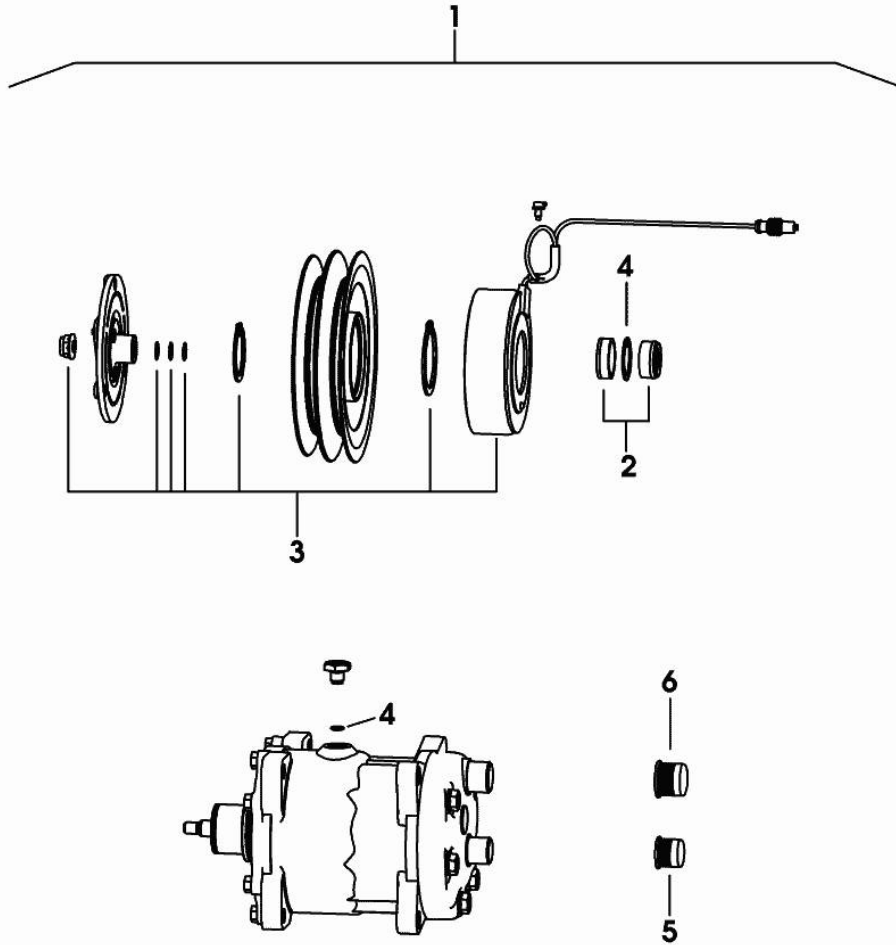
**MANUAL CLIMATE CONTROL SYSTEM**

Fig.	P/n	QTY	Name
1	0.020.8678.4/10	1	heating unit
3	0.900.2234.3	1	cover
4	0.900.2234.4	1	fan
5	0.900.2234.5	1	fan
6	0.900.2234.6	1	radiator
8	0.900.0944.6	41	screw 4 x 12
9	0.900.2236.0	1	probe
10	0.900.2386.6	-	box
11	0.900.2234.7	1	regulator
12	0.900.2234.8	1	insert
14	0.900.2235.0	2	gasket
15	0.010.2541.0	2	rubber plug
16	0.98538.71.1	1	spacer



**COMPRESSOR**

Fig.	P/n	QTY	Name
1	04437339/10	1	compressor R 134a
2	0.900.0005.8	1	accessories
3	0.900.0005.9	1	accessories
4	0.010.3629.1	1	special oil seal
5	0.010.3630.0	1	plug
6	0.010.3629.2	1	plug



04437339\_10

**CLUTCH CONTROL**

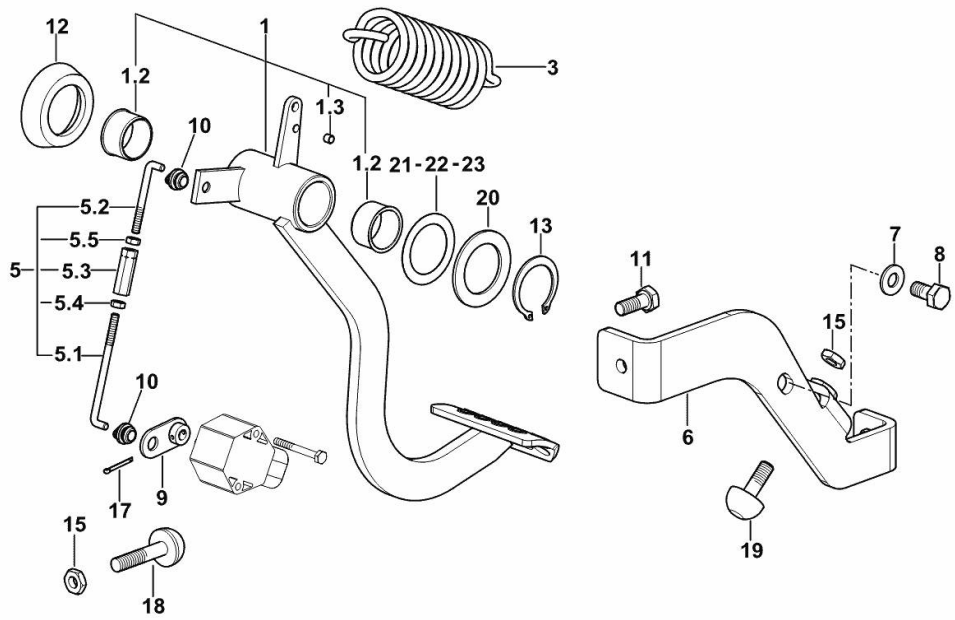


Fig.	P/n	QTY	Name
------	-----	-----	------

**Notes:**

[FORTIS 180 Infinity ->WSXAU00200LS50010]

1	0.018.2681.4/20	1	pedal
1.2	2.1559.117.0/20	2	special bushing 30x34x20
1.3	04429987	1	special bushing 5x7x5
3	2.4049.239.2/10	1	spring
5	04427323.4	1	rod
5.1	04426894	1	stay
5.2	04419486	1	stay
5.3	04419487	1	nut m 4
5.4	2.1011.101.2	1	nut
5.5	04419525	1	nut m 4
6	0.020.6464.3/20	1	support
7	2.1310.004.2	1	flat washer 8.4x17
8	2.0114.205.2	1	screw m 8 p.1.25 x 16
9	04429512	1	lever
10	04412894	2	interlock
11	2.0114.207.2	1	screw m 8 p.1.25 x 20
12	2.1599.546.0	1	washer 30.5
13	2.1410.012.1	1	circlip 30
15	2.1011.105.2	2	nut m 8 p.1.25
17	01143001	1	split pin 2x16
18	04386546/10	1	contact surface m 8 x 55
19	04384850	1	contact surface m 8 x 25
20	2.1599.268.0	1	shoulder ring
21	04429740	0.4	shim mm 0,5
22	04429741	0.3	shim mm 1.0
23	04429742	0.3	shim mm 0.3

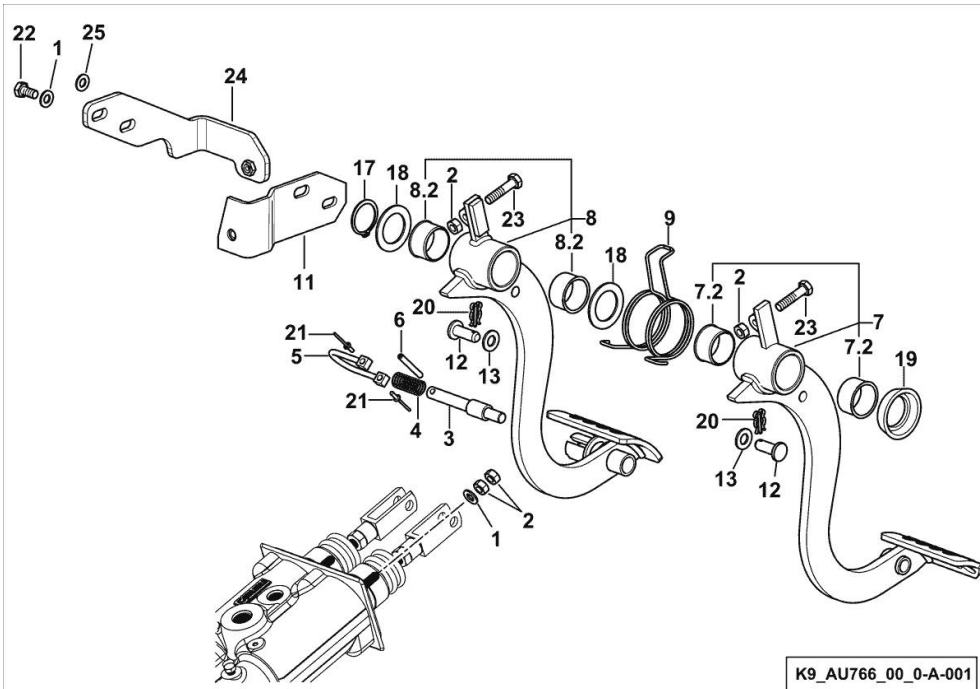
K9\_AU765\_00\_0-A-001

**BRAKE CONTROLS**

Fig.	P/n	QTY	Name
------	-----	-----	------

**Notes:**

[FORTIS 180 Infinity ->WSXAU00200LS50010]



1	2.1310.004.2	4	flat washer 8.4x17 ( -> 50013 )
2	2.1011.105.2	10	nut m 8 p.1.25
3	0.014.1656.0/20	1	pin
4	2.4019.586.2	1	spring
5	0.014.1658.2	1	u bolt
6	2.1630.515.0	1	roll pin 5 x 40
7	0.018.4851.4	1	pedal sx/lh/li
7.2	2.1559.117.0/20	2	special bushing 30x34x20
8	0.018.4848.4	1	pedal dx/rh/re
8.2	2.1559.117.0/20	1	special bushing 30x34x20
9	0.013.7336.0	1	spring
11	0.018.4855.3/30	1	bracket
12	04429518	2	pin
13	2.1310.006.2	2	flat washer 10.5x21
17	2.1410.012.1	1	circlip 30
18	2.1599.268.0	2	shoulder ring
19	2.1599.546.0	1	washer 30.5
20	01175876	2	split pin
21	2.1855.010.0	2	rivet 3.4
22	2.0114.209.2	2	screw m 8 x 25
23	2.0114.213.2	2	screw m 8 x 35
24	0.020.6465.3/20	1	support
25	2.1312.004.2	2	washer 8x24x2

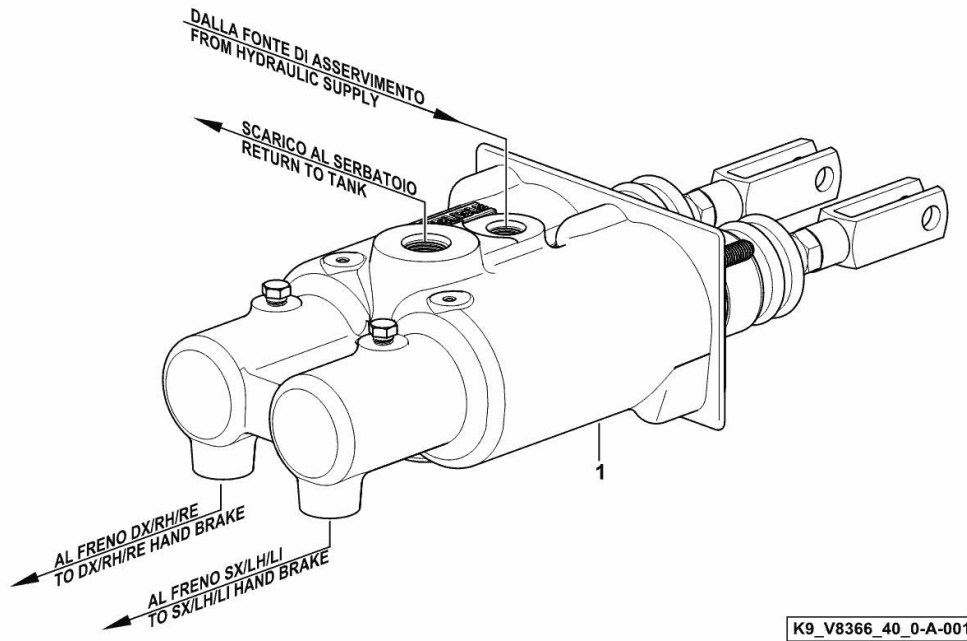
**BRAKE CYLINDER**

Fig.	P/n	QTY	Name
------	-----	-----	------

**Notes:**

[FORTIS 180 Infinity ->WSXAU00200LS50010]

1	2.3729.019.0	1	brake pump
---	--------------	---	------------



K9\_V8366\_40\_0-A-001



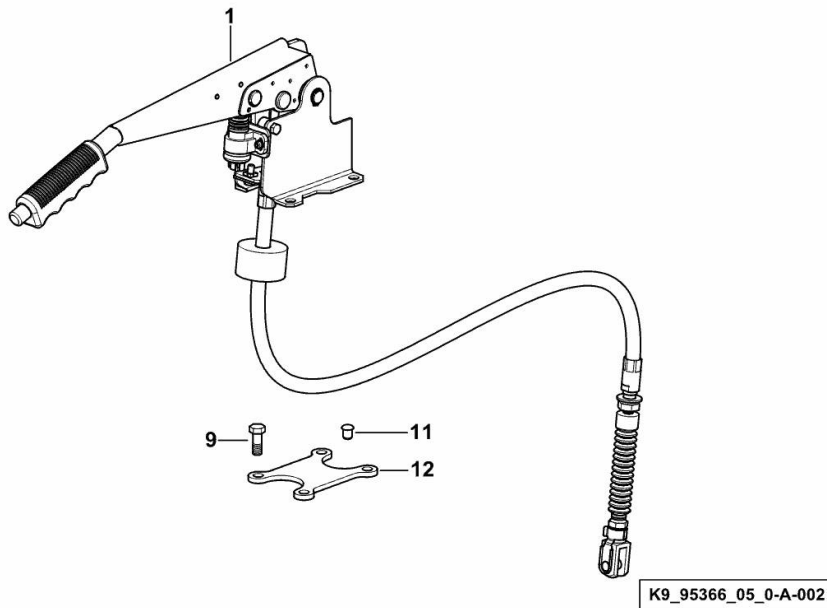
**HAND BRAKE**

Fig.	P/n	QTY	Name
------	-----	-----	------

**Notes:**

[FORTIS 180 Infinity ->WSXAU00200LS50010]

1	0.018.2467.4	1	handbrake lever ☞ 0.018.2467.4
9	2.0114.207.2	4	screw m 8 p.1.25 x 20
11	01167317	1	plug 14.5X11.5X21
12	04429746/10	1	plate



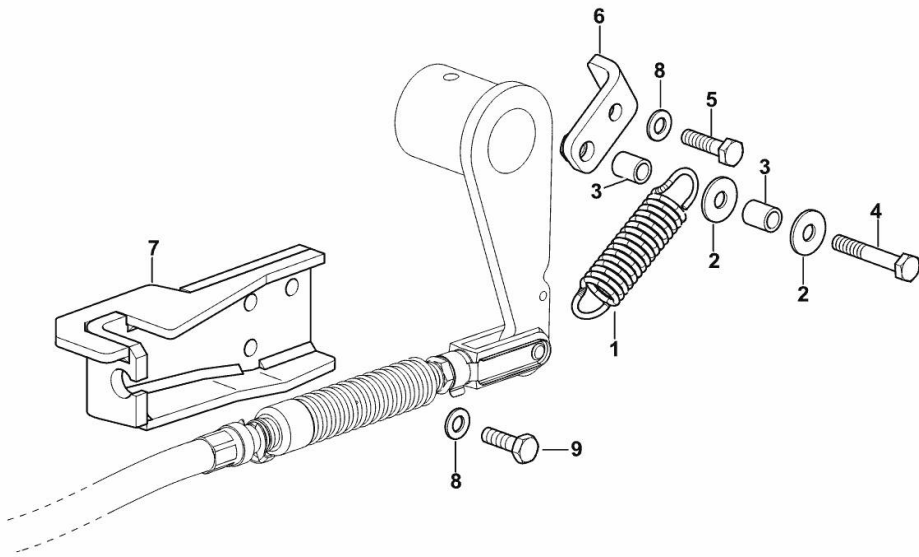
**HAND BRAKE**

Fig.	P/n	QTY	Name
------	-----	-----	------

**Notes:**

[FORTIS 180 Infinity ->WSXAU00200LS50010]

1	04431563	1	spring
2	2.1312.004.2	2	washer 8x24x2
3	04355272	2	bushing 9x13x16
4	2.0112.219.2	1	screw m 8 p.1.25x55
5	2.0114.211.2	1	screw m 8 x 30
6	0.019.5375.3	1	bracket
7	0.019.3924.0/20	1	bracket
8	2.1310.004.2	4	flat washer 8.4x17
9	2.0112.209.2	3	screw m 8 p 1.25 x 25



K9\_V8366\_04\_0-A-002

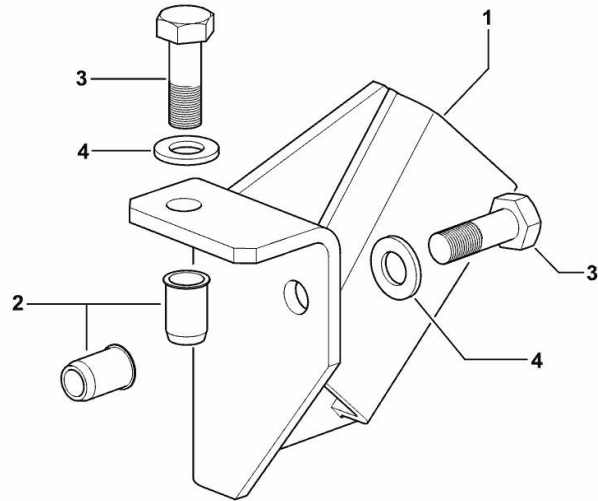
**HANDBRAKE SUPPORT FOR TRAILER**

Fig.	P/n	QTY	Name
------	-----	-----	------

**Notes:**

- ITALY [FORTIS 180 Infinity ->WSXAU00200LS50010]

1	0.011.4447.2	1	support
2	2.1142.012.2	2	insert m10
3	2.0112.311.2	2	screw m 10 p.1.5 x 30
4	2.1475.003.2	2	washer 10



K9\_11344\_20\_0-A-001

Thank you so much for reading.  
Please click the “Buy Now!”  
button below to download the  
complete manual.



After you pay.

You can download the most  
perfect and complete manual in  
the world immediately.

Our support email:

[ebooklibonline@outlook.com](mailto:ebooklibonline@outlook.com)