

FORTIS 210 Infinity ->WSXAZ70200LS50010

Section: C0 - ENGINE ACCESSORIES

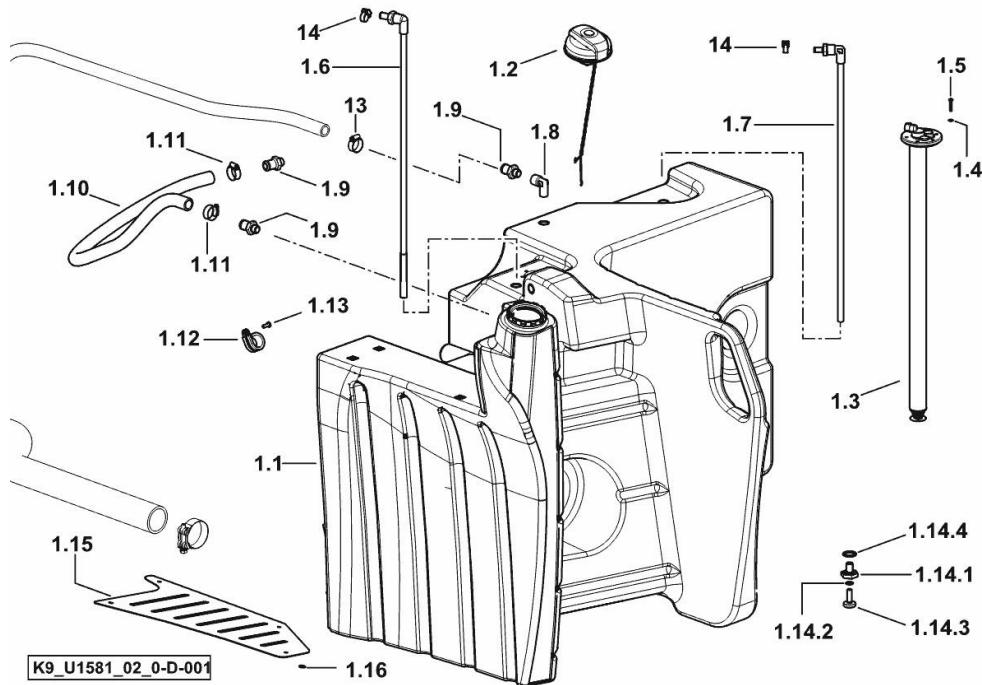
Ref: C0.03.3 (1)

FUEL TANK SX/LH/LI

Fig.	P/n	QTY	Name
------	-----	-----	------

Notes:

[FORTIS 210 Infinity ->WSXAZ70200LS50010]



1.1	0.018.6779.3/40	1	fuel tank sx/lh/li
1.2	0.019.6285.4	1	plug (-> 50010)
1.3	2.7059.016.0	1	float
1.4	2.1310.028.2	6	flat washer
1.5	2.0332.208.2	6	screw m4x25
1.6	0.016.7111.3/20	1	tube
1.7	0.016.7518.3/10	1	tube
1.8	2.3249.224.0	1	pipe fitting Ø 22 / 3/8" GAS
1.9	2.3249.245.0	3	pipe fitting Ø 12 / 3/8" GAS
1.10	0.018.8394.0/10	1	tube
1.11	01173962	2	clamp Ø 20/32
1.12	2.6839.068.0	1	clamp Ø 27
1.13	2.0332.406.2	5	screw m 6 p.1.0 x 16
1.14.1	0.016.9607.0	1	plug m10
1.14.2	2.1560.006.0	1	gasket 10.2 x 16
1.14.3	0.016.9605.0	1	plug m14
1.14.4	2.1539.040.0	1	special oil seal 21.82 x 3.53
1.15	0.018.7319.0/20	1	guard
1.16	2.1310.002.2	4	flat washer 6.4x12.5
13	01173962	2	clamp Ø 20/32
14	2.6851.019.0	2	clamp Ø 13/20

FORTIS 210 Infinity ->WSXAZ70200LS50010

Section: C0 - ENGINE ACCESSORIES

Ref: C0.03.4 (1)

FUEL TANK SUPPORT - SX/LH/LI

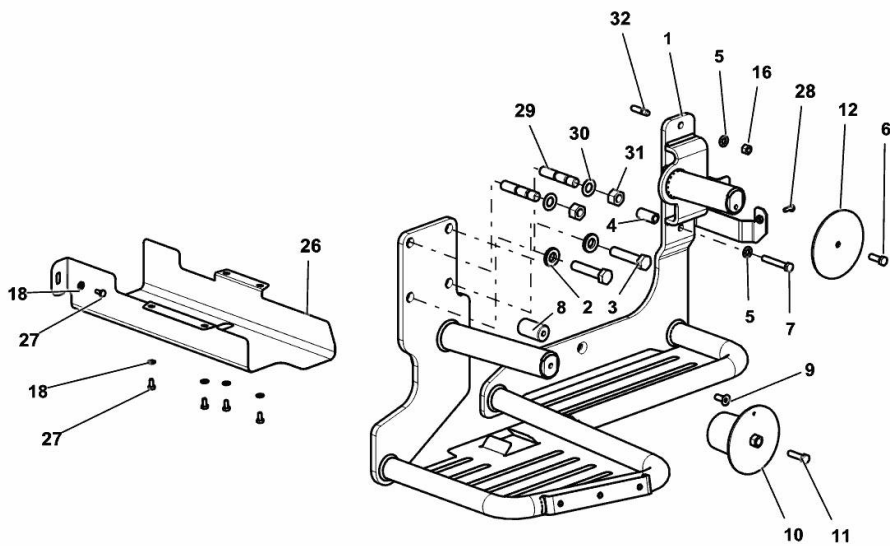
Fig.	P/n	QTY	Name
------	-----	-----	------

Notes:

[FORTIS 210 Infinity ->WSXAZ70200LS50010]

1	0.018.7363.3/30	1	bracket
2	01167055	2	washer 20.5x40
3	2.0399.302.2	2	screw m 20 p.2x90
4	04411966	1	tube
5	2.1310.007.2	4	flat washer 13 x 24
6	2.0112.413.2	1	screw m 12 p.1.75x35
7	2.0112.424.2	1	screw m 12 p.1.75x75
8	0.018.8438.0/10	1	spacer
9	2.0342.508.3	1	screw m 12 p.1.75 x 30
10	04429298.4	1	stop
11	2.0112.417.2	1	screw m 12 p.1.75 x 45
12	04413213	1	washer
16	2.1011.107.2	3	nut m 12 p.1.75
18	2.1310.004.2	7	flat washer 8.4x17
26	0.018.4101.0/10	1	guard
27	2.0114.205.2	5	screw m 8 p.1.25 x 16
28	2.0112.206.2	1	screw m 8 p.1.25 x 18
29	2.0439.335.2	2	stud bolt m 20
30	2.1310.013.2	2	flat washer 21x37
31	2.1011.111.2	2	nut m 20 p.2.5
32	2.0422.407.2	1	stud bolt m 12 p.1.75x30-p.1.75x18

K9_AR981_04_0-B-001



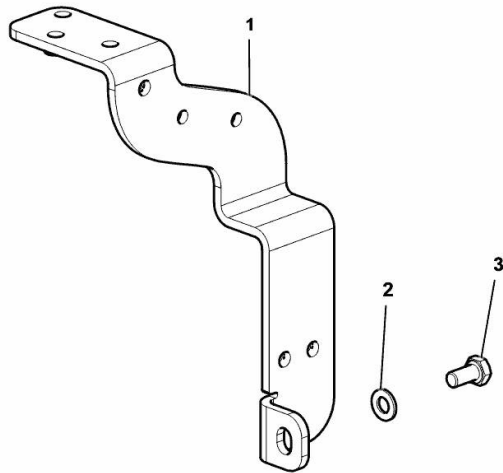
FUEL TANK SUPPORT

Fig.	P/n	QTY	Name
------	-----	-----	------

Notes:

[FORTIS 210 Infinity ->WSXAZ70200LS50010]

1	0.020.9031.3/10	1	bracket
2	2.0112.205.2	1	screw m 8 p.1.25 x 16
3	2.1310.004.2	1	flat washer 8.4x17



K9_AS781_05_0-A-001

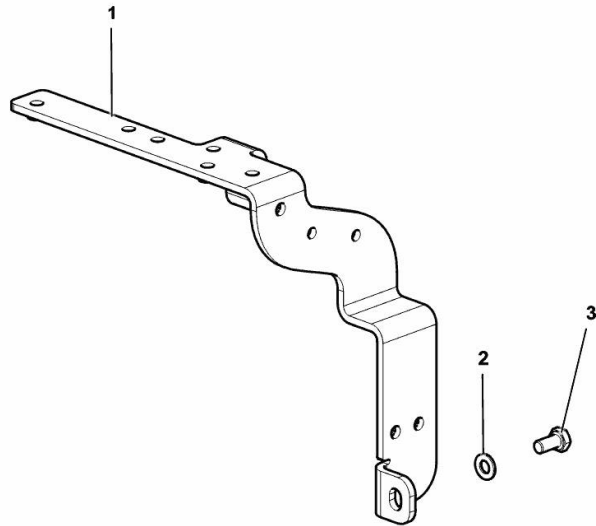
FUEL TANK SUPPORT

Fig.	P/n	QTY	Name
------	-----	-----	------

Notes:

[FORTIS 210 Infinity ->WSXAZ70200LS50010]

1	0.020.9115.3/10	1	bracket
2	2.0112.205.2	1	screw m 8 p.1.25 x 16
3	2.1310.004.2	1	flat washer 8.4x17



K9_AR981_05_0-A-001

FORTIS 210 Infinity ->WSXAZ70200LS50010

Section: C0 - ENGINE ACCESSORIES

Ref: C0.03.7 (1)

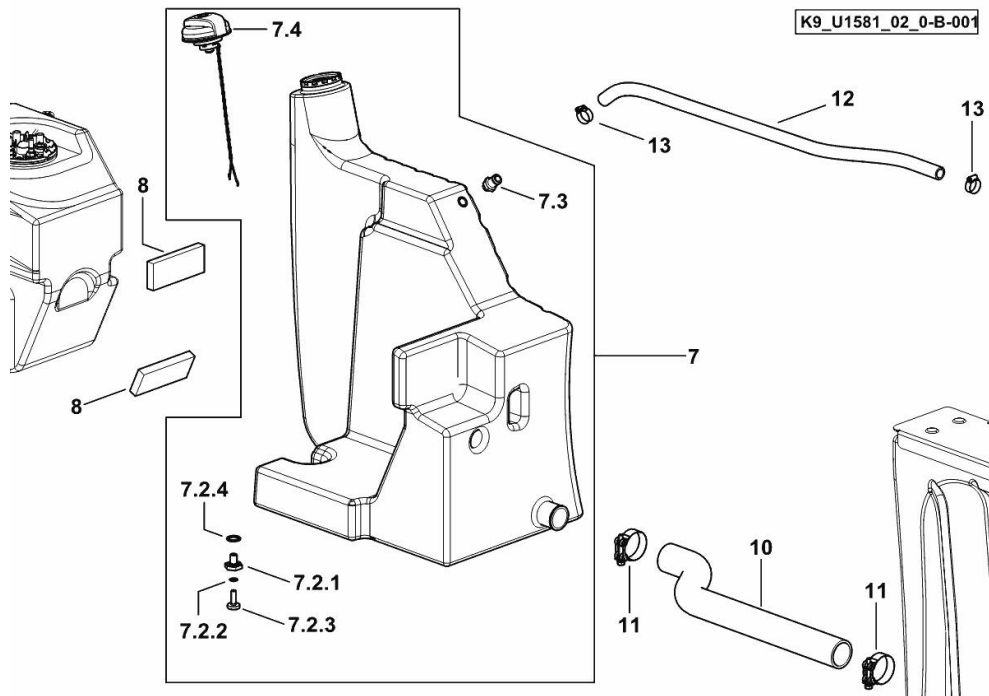
FUEL TANK DX/RH/RE

Fig.	P/n	QTY	Name
------	-----	-----	------

Notes:

[FORTIS 210 Infinity ->WSXAZ70200LS50010]

7	0.018.2154.4/50	1	fuel tank dx/rh/re
7.2.1	0.016.9607.0	1	plug m10
7.2.2	2.1560.006.0	1	gasket 10.2 x 16
7.2.3	0.016.9605.0	1	plug m14
7.2.4	2.1539.040.0	1	special oil seal 21.82 x 3.53
7.3	2.3249.245.0	1	pipe fitting Ø 12 / 3/8" GAS
7.4	0.019.6285.4	1	plug (-> 50010)
8	0.015.7103.0	2	gasket 60x150x18
10	0.018.3886.0/10	1	tube
11	2.6859.155.0	2	clamp Ø 59/63
12	0.019.9244.0	1	tube
13	01173962	2	clamp Ø 20/32



FORTIS 210 Infinity ->WSXAZ70200LS50010

Section: C0 - ENGINE ACCESSORIES

Ref: C0.03.8 (2)

TANK AND BATTERY SUPPORT DX/RH/RE

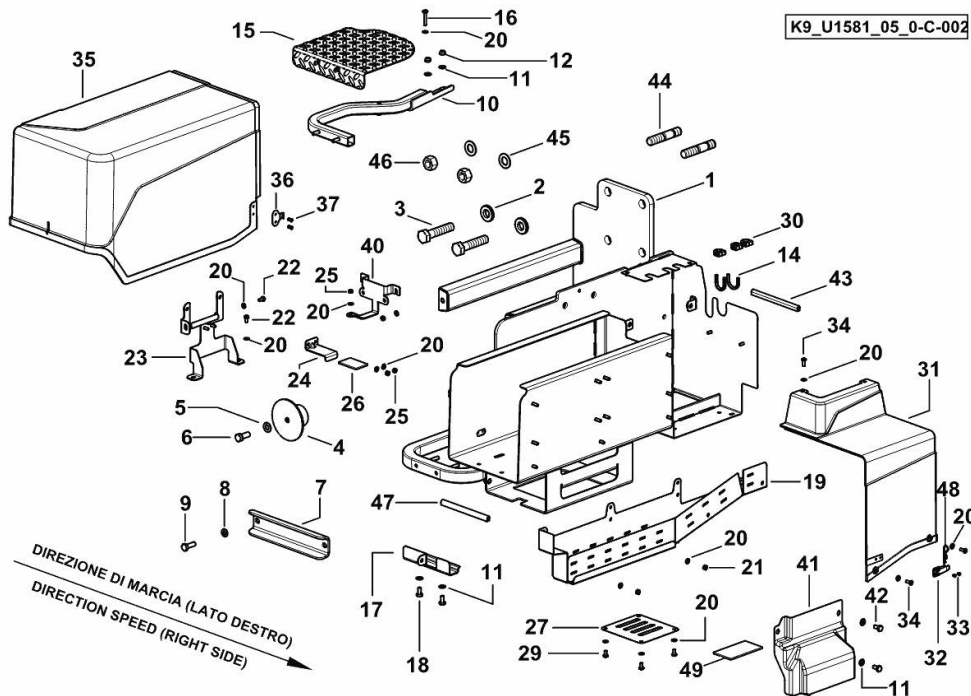


Fig.	P/n	QTY	Name
------	-----	-----	------

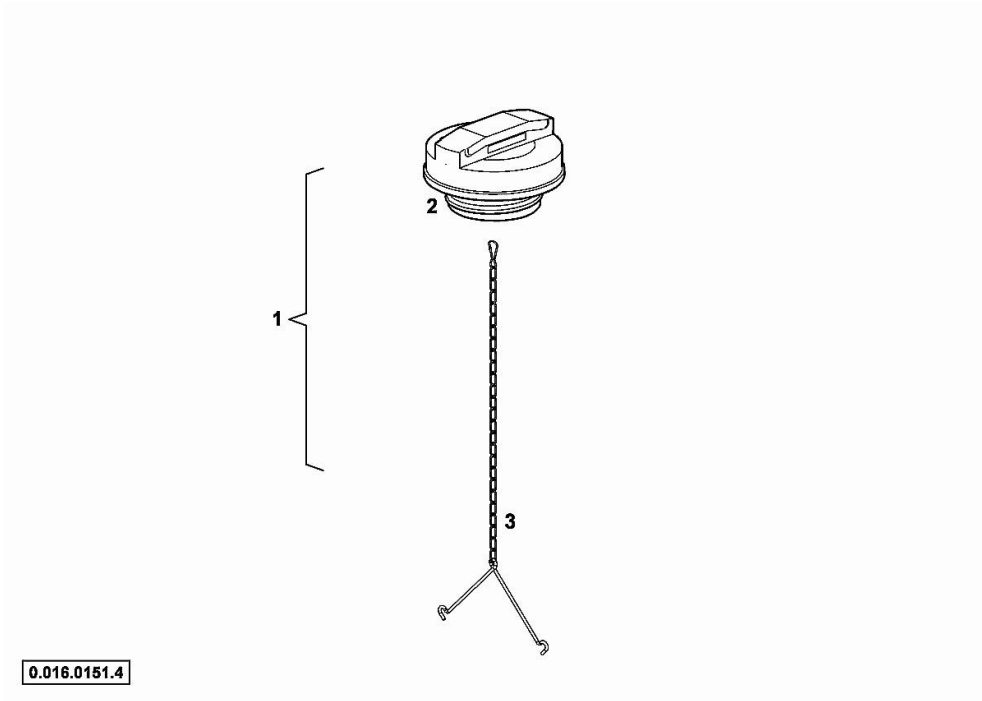
Notes:

[FORTIS 210 Infinity ->WSXAZ70200LS50010]

1	0.018.2320.3/70	1	support dx/rh/re (50015 <-)
1	0.018.2320.3/80	1	support dx/rh/re (-> 50016)
2	01167055	2	washer 20.5x40
3	2.0399.302.2	2	screw m 20 p.2x90
4	0.018.1844.2	1	bracket dx/rh/re
5	2.1310.007.2	1	flat washer 13 x 24
6	2.0112.411.2	1	screw m 12 p.1.75 x 30
7	0.018.2847.0	1	bracket dx/rh/re
8	2.1310.006.2	2	flat washer 10.5x21
9	2.0112.311.2	2	screw m 10 p.1.5 x 30
10	0.018.2954.3/20	1	bracket
11	2.1310.004.2	10	flat washer 8.4x17
12	2.1121.005.2	6	nut m 8 p.1.25
14	01393059	0.16	gasket
15	0.018.1397.0/30	1	foot board dx/rh/re
16	2.0332.410.2	1	screw m 6 p.1 x 35
17	0.015.2140.3/10	1	bracket
18	2.0114.205.2	2	screw m 8 p.1.25 x 16
19	0.018.3419.3	1	bracket
20	2.1310.002.2	21	flat washer 6.4x12.5
21	2.1011.003.2	3	nut m 6 p.1, d934
22	2.0112.003.2	4	screw m 6 p.1 x 12
23	0.018.8462.3	1	bracket
24	0.016.4712.0	1	bracket
25	2.1011.103.2	5	nut m 6 p.1
26	0.016.4901.0	1	gasket
27	0.018.4108.0/10	1	guard
29	2.0332.203.2	4	screw m 4 x 10
30	2.6569.081.0	3	wire guide
31	0.018.3917.0/10	1	cover
32	0.014.7214.0	2	closure
33	2.1899.090.0	4	rivet 3x8
34	2.0332.406.2	4	screw m 6 p.1.0 x 16
35	0.018.2405.0/10	1	cover
36	0.015.2116.0	2	hook
37	2.1856.004.0	4	rivet 4
40	0.018.8804.0	1	bracket
41	0.018.9458.0	1	guard
42	2.0112.205.2	2	screw m 8 p.1.25 x 16
43	0.019.2929.0	1	gasket
44	2.0439.335.2	2	stud bolt m 20

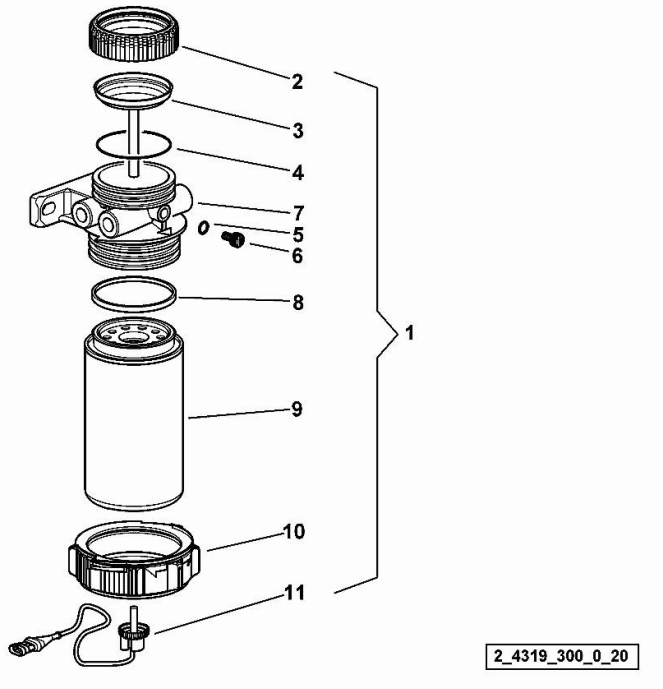
SCREW PLUG

Fig.	P/n	QTY	Name
1	0.016.0151.4	1	plug
2	0.000.0000.1	1	cannot be supplied
3	0.900.0986.2	1	small chain



PRE-FILTER - COMPONENTS

Fig.	P/n	QTY	Name
1	2.4319.300.0/20	1	precleaner 2, 3, 4, 5, 6, 7, 8, 9, 10, 11
2	0.900.0863.8	1	crown wheel
3	0.000.0000.1	1	cannot be supplied
4	0.900.0863.9	1	rubber ring
5	0.900.0789.8	1	ring
6	0.900.0864.3	1	screw
7	0.000.0000.1	1	cannot be supplied
8	0.900.0864.0	1	dust guard
9	0.900.0511.9	1	fuel filter element
10	0.900.0864.1	1	closure
11	0.900.0942.1	1	clogging warning ind.



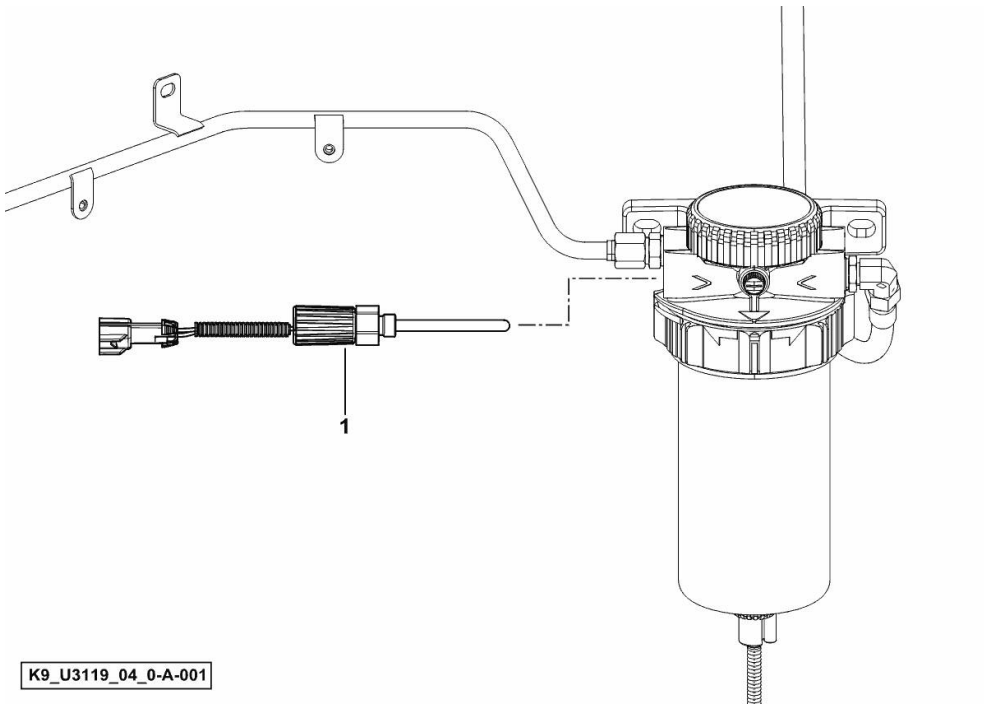
FUEL HEATER

Fig.	P/n	QTY	Name
------	-----	-----	------

Notes:

- EXPORT RU [FORTIS 210 Infinity ->WSXAZ70200LS50010]

1	2.4319.315.0	1	glow plug
---	--------------	---	-----------



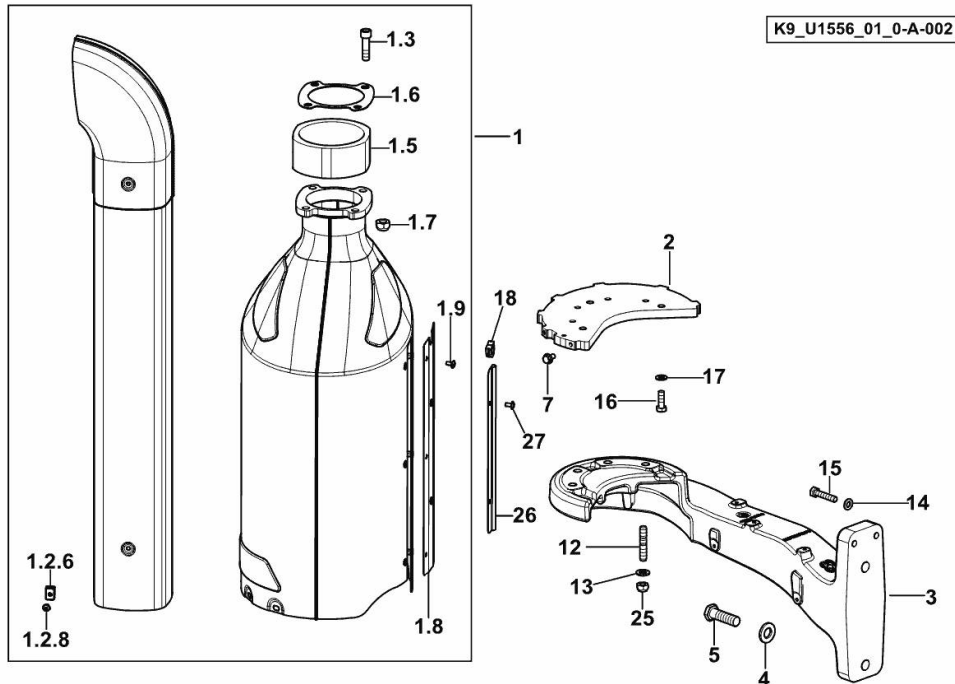
K9_U3119_04_0-A-001

EXHAUST SILENCER

Fig.	P/n	QTY	Name
------	-----	-----	------

Notes:

[FORTIS 210 Infinity ->WSXAZ70200LS50010]



1	0.018.3757.4/70	1	guard
1.2.6	2.6999.064.6	4	special nut m 6
1.2.8	2.0339.030.0	4	screw m 6 x 12
1.3	2.0312.414.2	4	screw m 12 x 40
1.5	0.018.8019.0/20	1	insulating material
1.6	0.021.2042.0	1	gasket
1.7	2.1121.008.2	4	nut m 12
1.8	0.020.0424.3/10	1	plate
1.9	2.0339.030.0	6	screw m 6 x 12
2	0.018.3823.0/20	1	plate
3	0.018.2522.0/30	1	bracket
4	2.1475.007.7	2	washer 18
5	2.0112.721.2	2	screw m 18 p.2.5x60
7	2.0139.045.0	7	screw m 8 x 16
12	2.0439.338.2/10	4	stud bolt m 12 p.1.75 x 40
13	2.1310.007.2	4	flat washer 13 x 24
14	2.1475.003.7	2	washer 10.5
15	2.0112.319.2	2	screw m 10 p.1.5 x 50
16	2.0112.311.2	3	screw m 10 p.1.5 x 30
17	2.1310.006.2	1	flat washer 10.5x21
18	2.6569.089.0	3	grommet
25	2.1121.008.2	4	nut m 12
26	0.020.8556.0	1	guard
27	2.0339.030.0	2	screw m 6 x 12

Thank you so much for reading.
Please click the “Buy Now!”
button below to download the
complete manual.



After you pay.

You can download the most
perfect and complete manual in
the world immediately.

Our support email:

ebooklibonline@outlook.com