

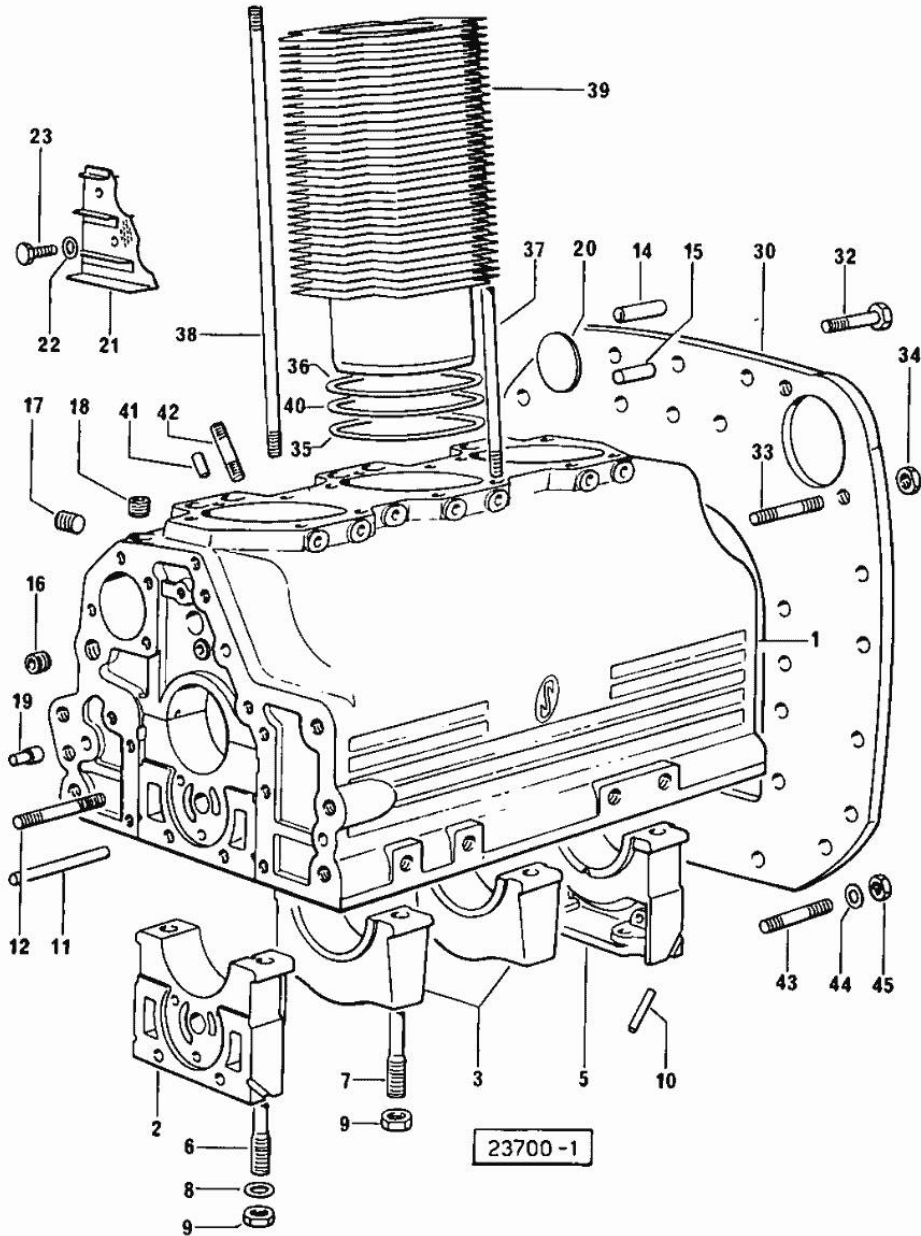
Section: ENGINE

CRANKCASE

Fig.	P/n	QTY	Name
------	-----	-----	------

Notes:
[FOX 45_I]

0	0.035.0050.6/10	1	gasket set FOR ENGINE ASSEMBLY
1	0.035.1110.4/40	1	crankcase
2	0.004.8776.0	1	support
3	0.029.1113.0	2	support
5	0.029.1116.0	1	support
6	0.021.1157.0	4	stud bolt
7	0.029.1117.0	4	stud bolt
8	2.1599.144.7	8	shoulder ring 12.5x23x4
9	2.1019.026.1	8	special nut m 12 p.1.5
10	0.029.1154.0	4	gasket
11	2.1699.116.0	1	pin
12	2.0432.018.1	5	stud bolt m 8 p.1.25 / p.1 x 65
14	2.1652.911.0	2	cylindrical plug 12x25
15	2.1653.708.0	2	pin 8x18
16	2.3130.002.1	2	plug 1/4" gas
17	2.3139.001.1	3	plug
18	2.3130.001.1	3	plug 1/8" gas
19	2.1699.021.0	1	pin 7.8x8x20
20	2.3170.022.1	1	expansion plug 60
21	0.029.1155.2/20	1	plate
22	2.1470.002.2	2	lock washer 6
23	2.0112.002.2	2	screw m 6 p.1 x 10
30	0.029.1130.0/20	1	flange
32	2.0112.511.1	11	screw m 14 p.2 x 30
33	2.0432.267.1	2	stud bolt m 12 p.1.75-1.25x60
34	2.1011.207.2	2	nut m 12 p.1.5
35	2.1589.036.0	3	shim
36	2.1589.037.0	3	shim
37	0.039.1122.0	12	stud bolt m 12 p.1.5x310
38	0.037.1122.0	3	stud bolt
39	0.036.1120.0/10	3	engine cylinder
40	2.1569.055.0	3	shim
41	2.1653.708.0	1	pin 8x18
42	2.0432.267.1	2	stud bolt m 12 p.1.75-1.25x60
43	2.0432.153.1	2	stud bolt m 10 p.1.5 / p.1.25 x 20
44	2.1474.010.1	2	spring washer 10
45	2.1011.421.2	2	nut m 10 p.1.25



Section: ENGINE

TIMING CASE

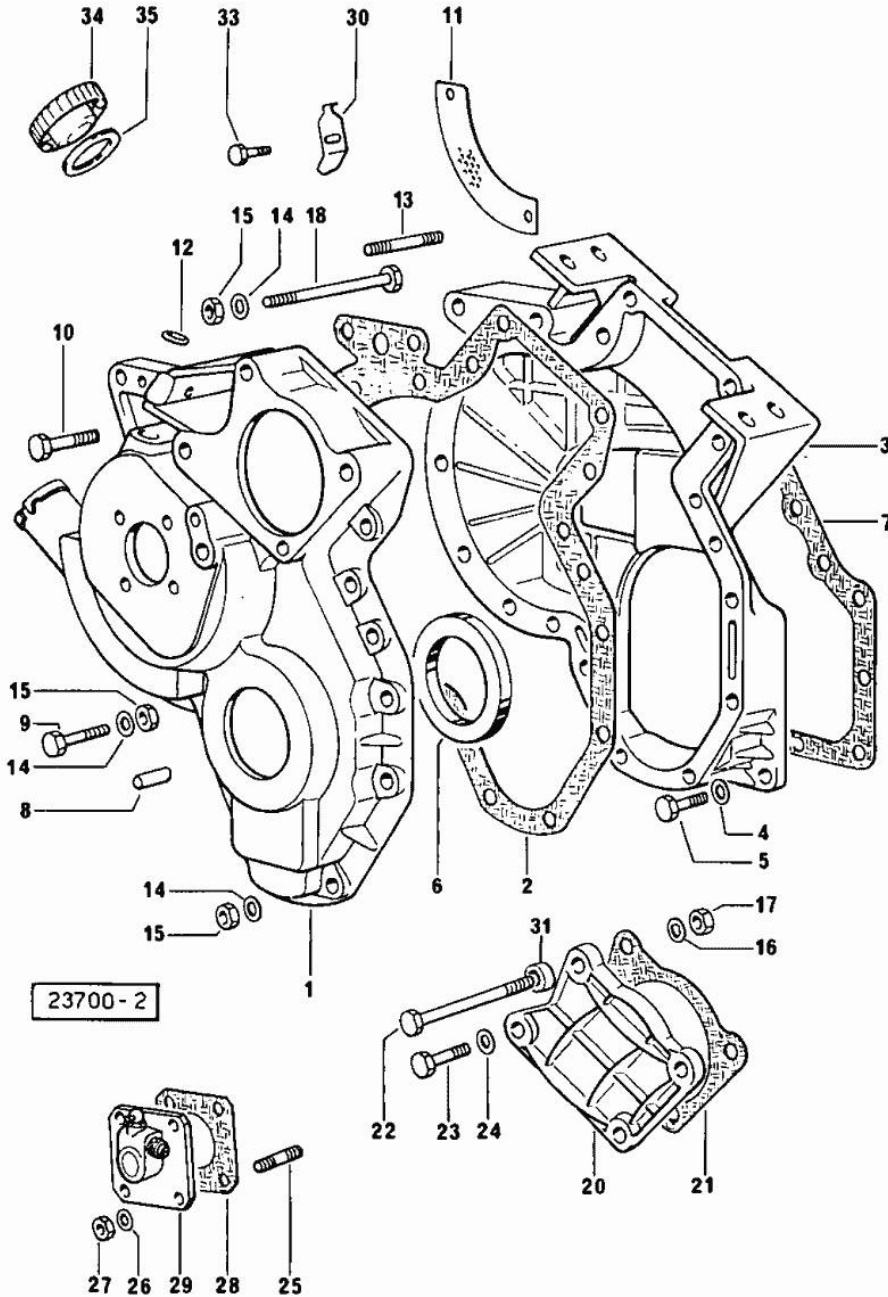


Fig.	P/n	QTY	Name
------	-----	-----	------

Notes:
[FOX 45_I]

1	0.320.1554.0	1	governor housing
2	0.027.1156.0	1	gasket
3	0.027.1154.0/30	1	flange
4	2.1474.009.1	8	spring washer 8
5	2.0112.207.2	8	screw m 8 p.1.25 x 20
6	2.1519.010.0	1	special oil seal 58x80x10
7	0.029.1153.0/10	1	gasket
8	2.1652.711.0	1	cylindrical plug 8x25
9	2.0122.213.2	4	screw m 8 p.1x35
10	2.0122.222.2	1	screw
11	0.027.1152.0/20	1	small plate
12	2.1530.028.0	1	oil seal 11.91 x 2.62
13	2.0439.060.2	3	stud bolt m 8 p.1.25-1x22
14	2.1474.009.1	15	spring washer 8
15	2.1011.405.2	15	nut m 8 p.1
16	2.1474.009.1	2	spring washer 8
17	2.1011.405.2	3	nut m 8 p.1
18	2.0122.225.2	2	screw m 8 p.1x80
20	0.029.1163.0	1	small cover
21	0.054.1155.0	1	gasket
22	2.0122.233.2	2	screw
23	2.0112.211.2	2	screw m 8 p.1.25 x 30
24	2.1474.009.1	2	spring washer 8
25	2.0439.055.1	4	stud bolt m 6 p.1 x 18
26	2.1470.002.2	4	lock washer 6
27	2.1011.103.2	4	nut m 6 p.1
28	0.026.1150.0	1	gasket
29	2.7049.210.0/20	1	transmission
30	0.027.1150.0/10	1	index
31	2.1579.191.0	1	spacer 8.5 x 18 x 20
33	2.0112.204.2	1	screw m 8 p.1.25x14
34	2.3199.535.0	1	plug
35	2.1530.014.0	1	oil seal

Section: ENGINE

CRANKSHAFT

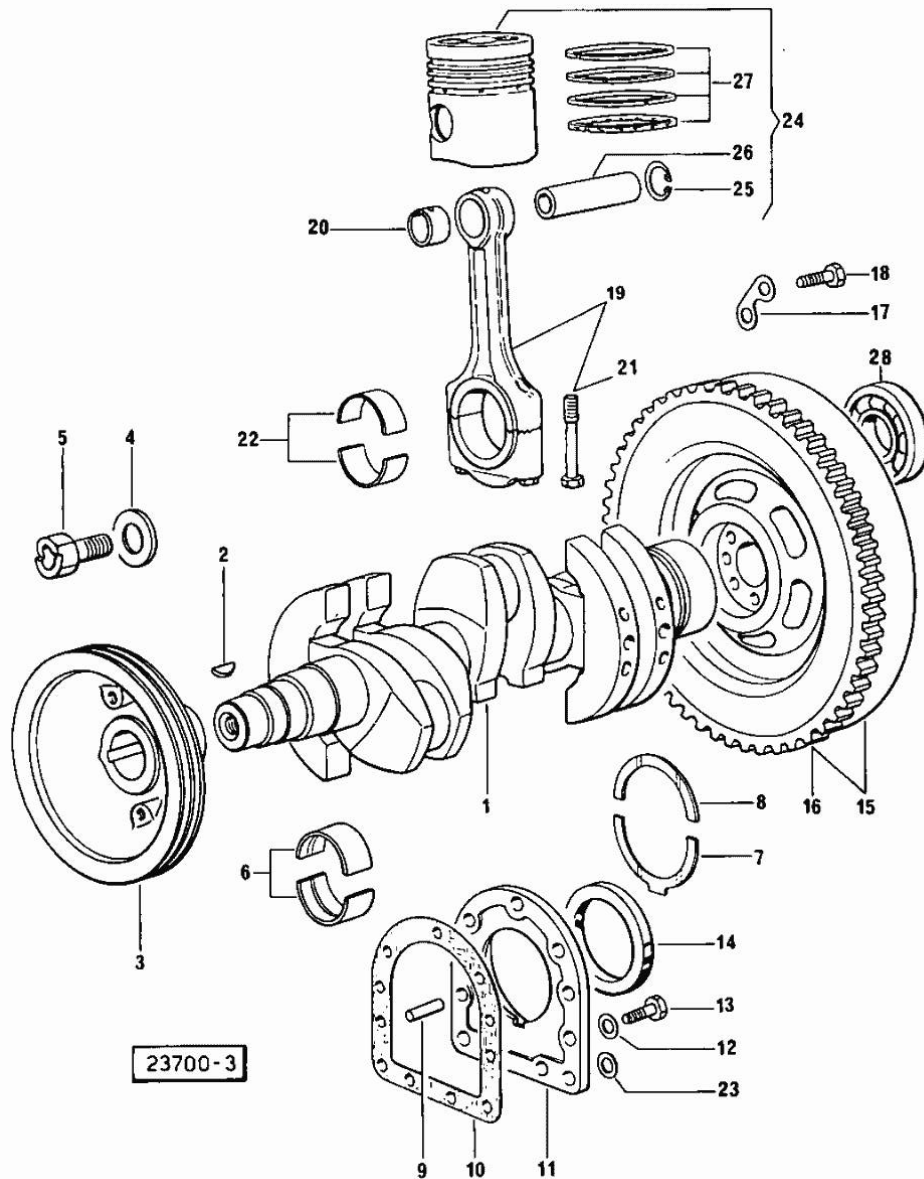


Fig.	P/n	QTY	Name
------	-----	-----	------

Notes:
[FOX 45_I]

1	0.029.1210.4/30	1	crankshaft
2	2.1799.002.0	1	stick 10x13
3	0.035.1244.0/20	1	pulley
4	0.001.6020.0	1	shoulder
5	2.0129.032.2	1	screw m 24 p.2x45
6	0.029.0066.0		main half bushing - mm 1.00
6	0.029.1215.0/10	8	main half bushing
6	0.029.1215.7		main half bushing - mm 0.25
6	0.029.1215.8		main half bushing - mm 0.50
6	0.029.1215.9		main half bushing - mm 0.75
7	0.001.4547.0		shoulder ring + mm 0.05
7	0.001.4548.0		shoulder ring + mm 0.10
7	0.001.4549.0		shoulder ring + mm 0.15
7	0.042.1219.0	2	shoulder ring STANDARD
8	0.001.4544.0		shoulder ring + mm 0.05
8	0.001.4545.0		shoulder ring + mm 0.10
8	0.001.4546.0		shoulder ring + mm 0.15
8	0.042.1218.0	2	shoulder ring STANDARD
9	2.1652.915.0	2	cylindrical plug 12x35
10	0.029.1250.0	1	gasket
11	0.045.1240.0	1	flange
12	2.1474.010.1	6	spring washer 10
13	2.0112.309.2	7	screw m 10 p.1.5 x 25
14	2.1519.009.0	1	special oil seal
15	0.035.1264.3	1	flywheel
16	0.038.1242.0	1	crown wheel Z = 120, mm 15
17	2.1379.006.0	3	lock-tab 15x15x36,5
18	2.0122.515.1	6	screw
19	0.039.1220.3/20	3	engine connecting rod
20	2.1559.114.0	1	bushing
21	0.039.1250.0	6	screw m 14 p.1.5x63
22	0.039.0068.0		con.rod half bushing - mm 1.016
22	0.039.1225.0	6	con.rod half bushing
22	0.039.1225.7		con.rod half bushing -mm 0.254
22	0.039.1225.8		con.rod half bushing -mm 0.508
22	0.039.1225.9		con.rod half bushing -mm 0.762
23	2.1480.015.1	2	washer 10
24	0.036.0060.6	3	complete piston
24	0.036.0061.6		complete piston + mm 0.5
24	0.036.0062.6		complete piston + mm 1.00
25	2.1411.014.1	6	circlip 35

Section: ENGINE
CRANKSHAFT

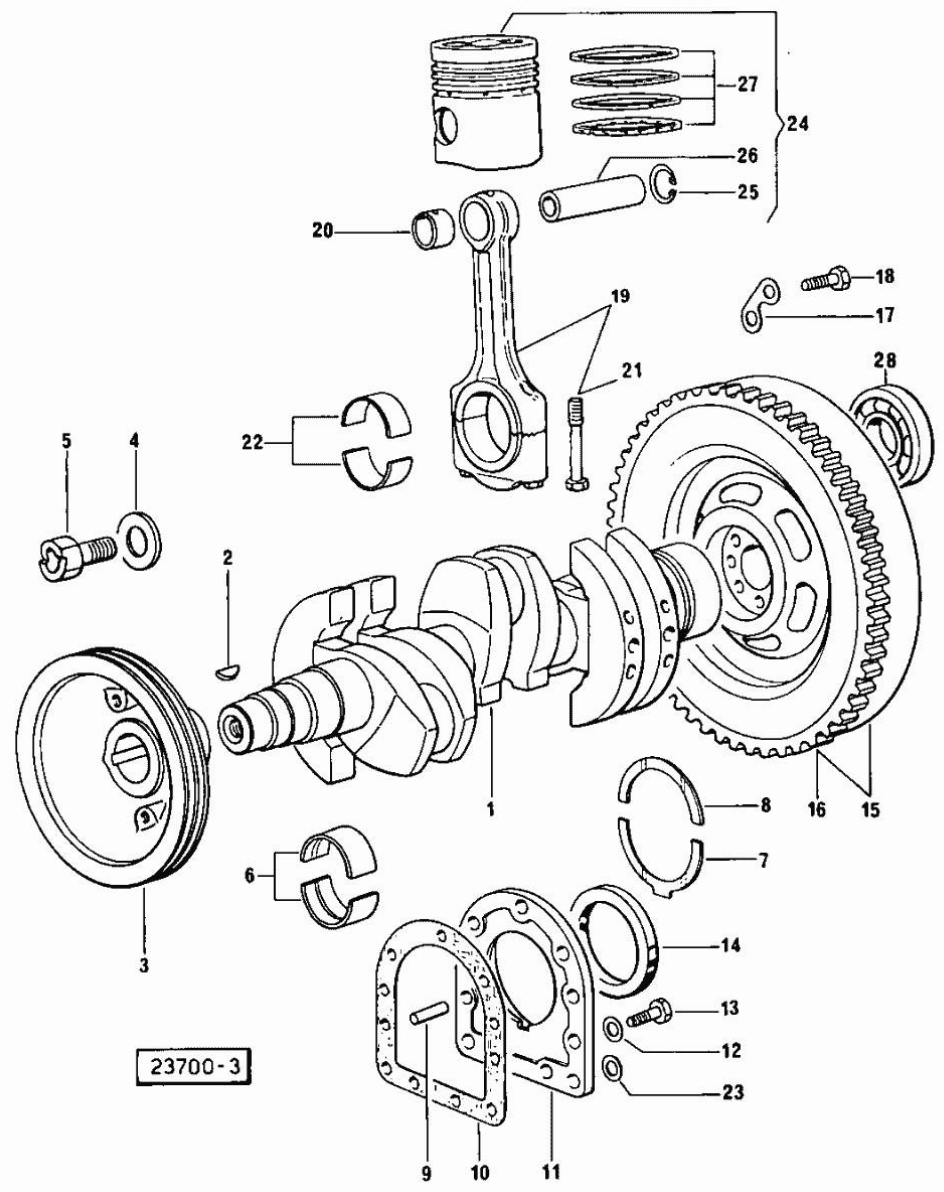


Fig.	P/n	QTY	Name
26	0.002.4167.0	3	piston pin
27	0.034.0052.6	3	piston ring set
27	0.034.0053.6		piston ring set + mm 0.5
27	0.034.0054.6		piston ring set + mm 1.0
28	2.2061.005.0	1	ball bearing iso 17 bc 03

Section: ENGINE

CAMSHAFT

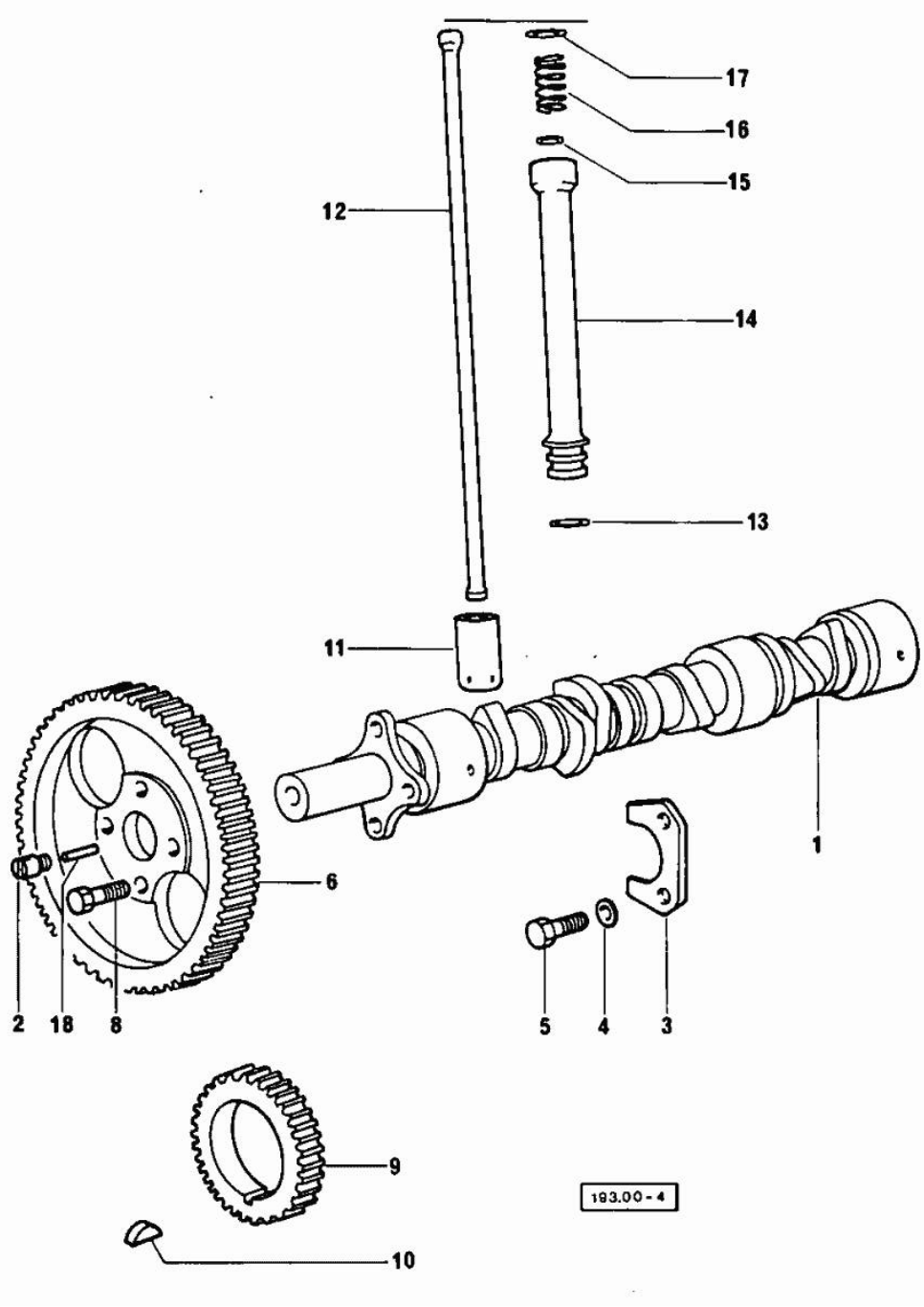


Fig.	P/n	QTY	Name
------	-----	-----	------

Notes:
[FOX 45_I]

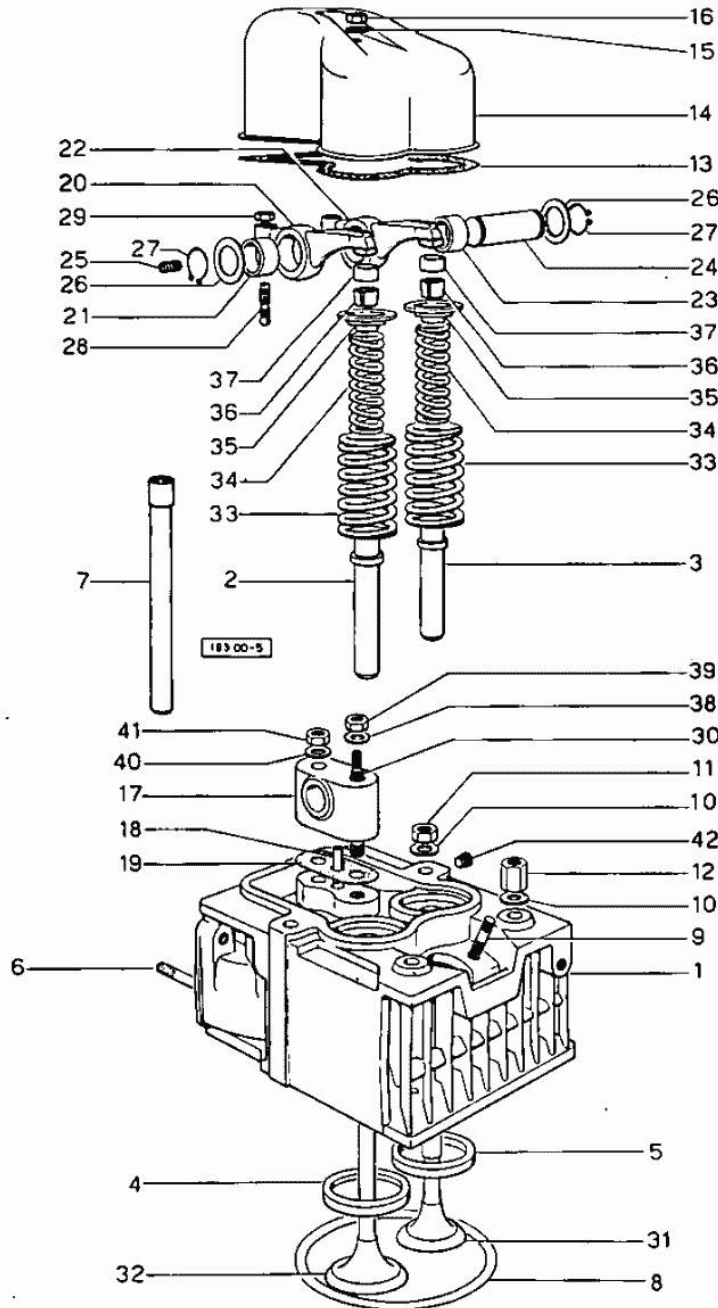
1	0.035.1310.0/10	1	camshaft
2	0.027.1350.0/20	1	pin
3	0.027.1314.0	1	flange
4	2.1470.004.2	2	lock washer 8
5	2.0312.206.2	2	screw m 8 p 1.25 x 20
6	0.035.1321.0	1	gear
8	2.0139.006.1	4	screw
9	0.029.1320.0/10	1	gear wheel
10	2.1720.010.0	1	key 5x9
11	0.002.3909.0	6	tappets
12	0.037.1331.0	6	rod
13	2.1539.018.0	6	special oil seal
14	0.039.1332.0/10	6	sleeve
15	2.1539.022.0	6	special oil seal 12.37x2.62
16	2.4019.149.1	6	spring 14x29x2
17	2.1569.037.0	6	gasket
18	2.1650.513.0	1	pin 6 x 30

Section: ENGINE
CYLINDER HEAD

Fig.	P/n	QTY	Name
------	-----	-----	------

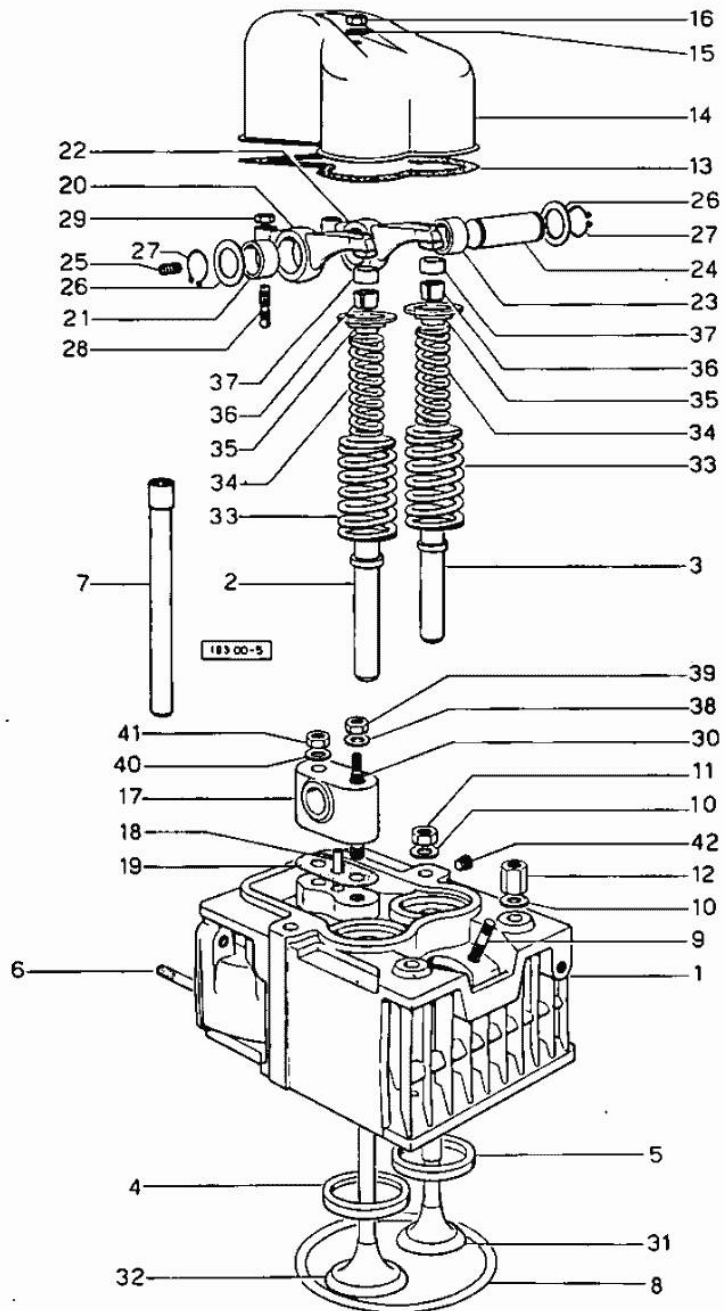
Notes:
[FOX 45_I]

0	0.034.0057.6	1	gasket set FOR GRINDING VALVES OF ONE CYLINDER AND PISTON RING RENEWAL
1	0.037.1450.3/30	3	engine head
2	0.037.1416.0	3	valve guide
3	0.037.1417.0/10	3	valve guide
4	0.037.1451.0/10	3	valve seat
5	0.037.1452.0/10	3	valve seat
6	2.0432.001.1	6	stud bolt m 14 p.2-1.5x35
6	2.0432.011.1	6	stud bolt m 8 p.1.25 / p.1 x 40
7	0.029.1418.0	6	sleeve
8	2.1569.056.0/10	3	gasket
9	2.0439.081.1	6	stud bolt m 8 x 14
10	2.1599.406.0	12	shoulder ring
11	2.1019.005.0	7	old part number
12	2.1019.037.0	5	special nut m 12 p.1.5
13	0.029.1450.0	3	gasket
14	0.039.1440.0	3	cap
15	2.1560.004.0	3	copper gasket 8.2 x 14
16	2.1099.056.1	3	special nut m8 p.1
17	0.034.1430.0	3	support
18	0.029.1452.0	3	tube
19	0.034.1450.0	3	tappet gasket
20	002.5937.3/30	3	rocker arm
21	2.1559.021.0/40	3	bushing 15x19x22
22	0.002.5936.3/40	3	rocker arm
23	2.1559.021.0/40	3	bushing 15x19x22
24	0.029.1431.0	3	pin
25	2.0512.102.1	3	screw m 6 p.1 x 8
26	2.1599.019.0	6	shoulder ring 19.5x31x2
27	2.1410.055.1	6	circlip 19
28	0.021.1434.0	6	screw
29	2.1011.405.2	6	nut m 8 p.1
30	0.039.1451.0	3	stud bolt
31	0.039.1421.0	3	exhaust valve Ø mm 9
32	0.039.1420.0	3	inlet valve
33	2.4019.193.0	6	spring 36.15x55.2x3.2
34	2.4019.194.0	6	spring 22.70x50.7x2.1
35	0.002.9215.0/10	6	cup
36	0.002.9193.0/10	6	conical valve cotter
37	0.021.1453.0/20	6	small cover



Section: ENGINE
CYLINDER HEAD

Fig.	P/n	QTY	Name
38	2.1310.006.2	3	flat washer 10.5x21
39	2.1011.421.2	3	nut m 10 p.1.25
40	2.1599.160.0	3	washer 10.5x19x4
41	2.1099.035.0	3	special nut m 10 p.1.25
42	2.3130.001.1	3	plug 1/8" gas



Section: ENGINE
LUBRICATION

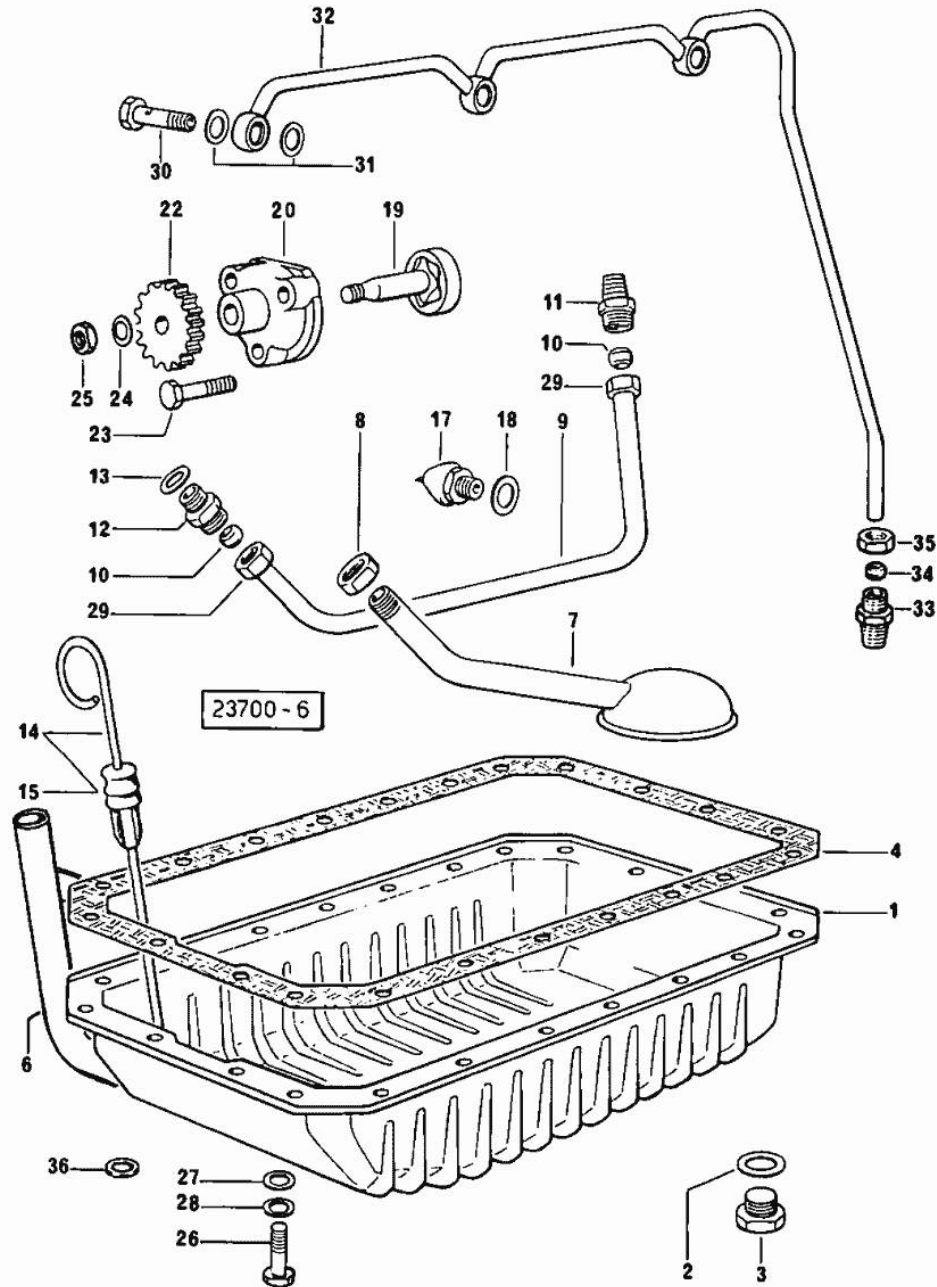


Fig.	P/n	QTY	Name
------	-----	-----	------

Notes:
[FOX 45_I]

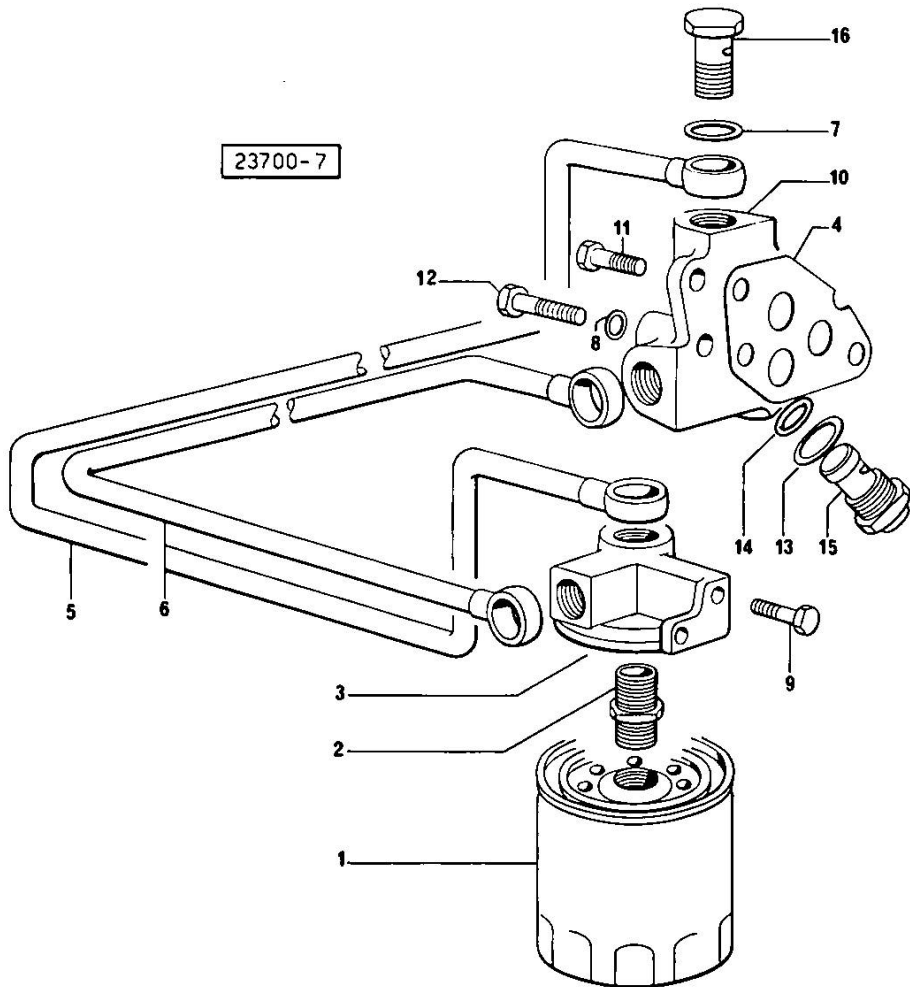
1	0.035.1554.0	1	oil sump
2	2.1560.054.0	1	gasket 21 x 26
3	2.3199.001.2	1	plug 1/2" gas
4	0.038.1555.0	1	gasket
6	0.035.1559.3	1	tube
6	2.1310.009.2	1	flat washer 15x20
7	0.035.1555.3	1	tube
8	2.1099.026.1	1	special nut
9	0.035.1558.0	1	tube
10	2.3359.004.2	2	ring
11	2.3319.014.1	1	pipe union
12	2.3319.013.1	1	pipe union
13	2.1560.013.0	1	gasket 18.2x22
14	0.035.1557.3	1	dipstick
15	0.034.1551.0	1	gasket
17	2.7099.040.0/10	1	pressure switch
18	2.1560.008.0	1	gasket 12.2 x 18
19	0.029.1522.3/10	1	shaft
20	0.029.1520.0	1	pump casing
22	0.029.1521.0/10	1	gear
23	2.0112.215.2	3	screw m 8 p.1.25 x 40
24	2.1310.006.2	1	flat washer 10.5x21
25	2.1120.107.2	1	self-locking nut m 12 p.1.75
26	2.0112.209.2	14	screw m 8 p 1.25 x 25
26	2.0112.219.2	10	screw m 8 p.1.25x55
27	2.1470.004.2	20	lock washer 8
28	2.1560.004.0	4	copper gasket 8.2 x 14
29	2.3369.015.1	2	special nut
30	2.3339.001.0	3	pipe fitting m 10 p.1
31	2.1560.006.0	6	gasket 10.2 x 16
32	0.038.1536.3/10	1	tube
33	2.3319.002.1	1	pipe fitting
34	2.3350.002.1	1	nosepiece 6, d128
35	2.3360.002.1	1	union nut m 10
36	2.1530.016.0	1	oil seal 8.73 x 1.78

Section: ENGINE
LUBRICATION

Fig.	P/n	QTY	Name
------	-----	-----	------

Notes:
 [FOX 45_I]

1	2.4419.140.1	1	oil filter element
2	2.3319.511.0	1	pipe union
3	0.320.1550.0	1	support
4	0.037.1552.0/10	1	gasket
5	0.316.1552.3	1	tube
6	0.316.1553.3	1	tube
7	2.1560.016.0	8	gasket 20.2 x 26
8	2.1470.006.2	3	lock washer 10
9	2.0112.207.2	2	screw m 8 p 1.25 x 20
10	0.320.1551.0	1	flange
11	2.0112.309.2	1	screw m 10 p.1.5 x 25
13	2.4419.130.3	1	gasket
15	2.4419.130.2	1	valve
16	2.3332.006.1	4	pipe fitting



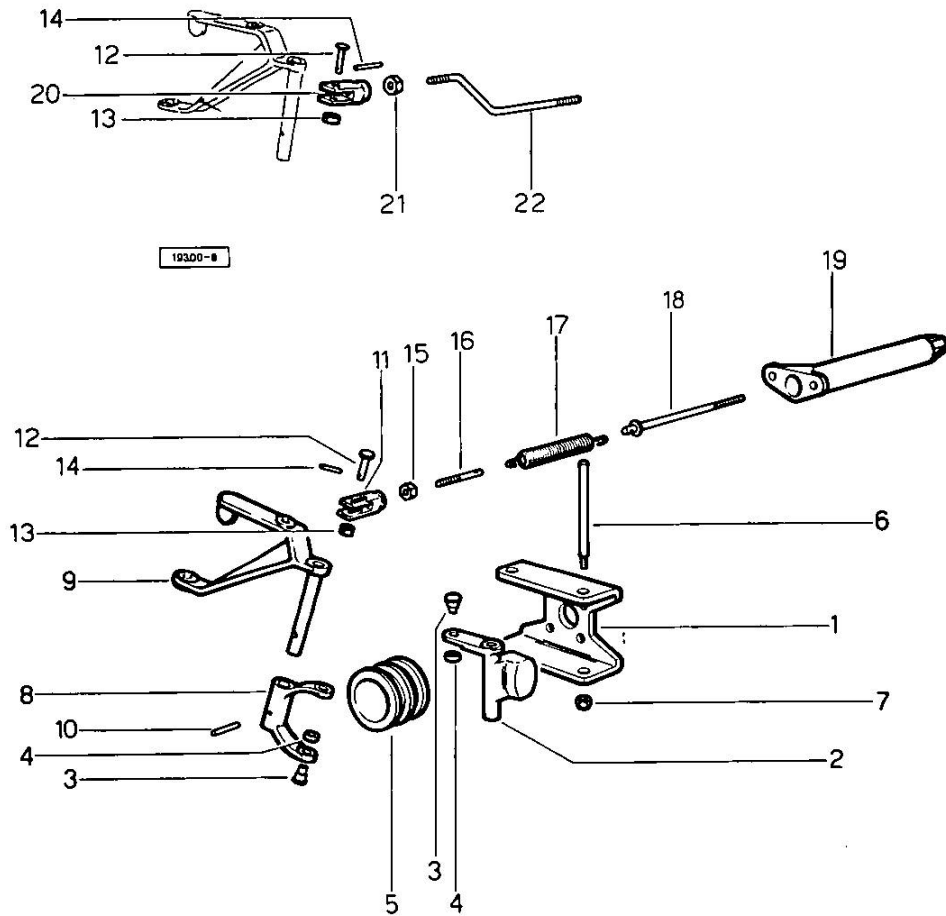
Section: ENGINE

FUEL SUPPLY SYSTEM

Fig.	P/n	QTY	Name
------	-----	-----	------

Notes:
[FOX 45_I]

1	0.029.1615.0	1	bracket
2	0.029.1616.0	2	adjust.rocker
3	0.029.1652.0	4	pin
4	0.029.1653.0	4	roller
5	0.029.1618.0	1	sleeve
6	0.029.1611.0	2	gear
7	2.1120.105.2	2	self-locking nut m 8 p.1.25
8	0.027.1670.0	1	fork
9	0.320.1621.3	1	lever
10	2.1631.311.0	1	roll pin 3x24
11	2.3519.004.1	1	fork
12	2.1679.018.0	2	pin
13	2.1599.109.0	2	shoulder ring
14	2.1630.006.0	2	roll pin 2x12
15	2.1011.103.2	1	nut m 6 p.1
16	0.029.1627.0	1	stay
17	2.4049.054.1	1	spring
18	0.027.1626.3	1	rod
19	0.029.1624.0	1	spring holder
20	0.000.4699.0	1	fork
21	2.1011.103.2	4	nut m 6 p.1
22	0.027.1674.0	1	rod



Section: ENGINE

FUEL FEED - INJECTION PUMP

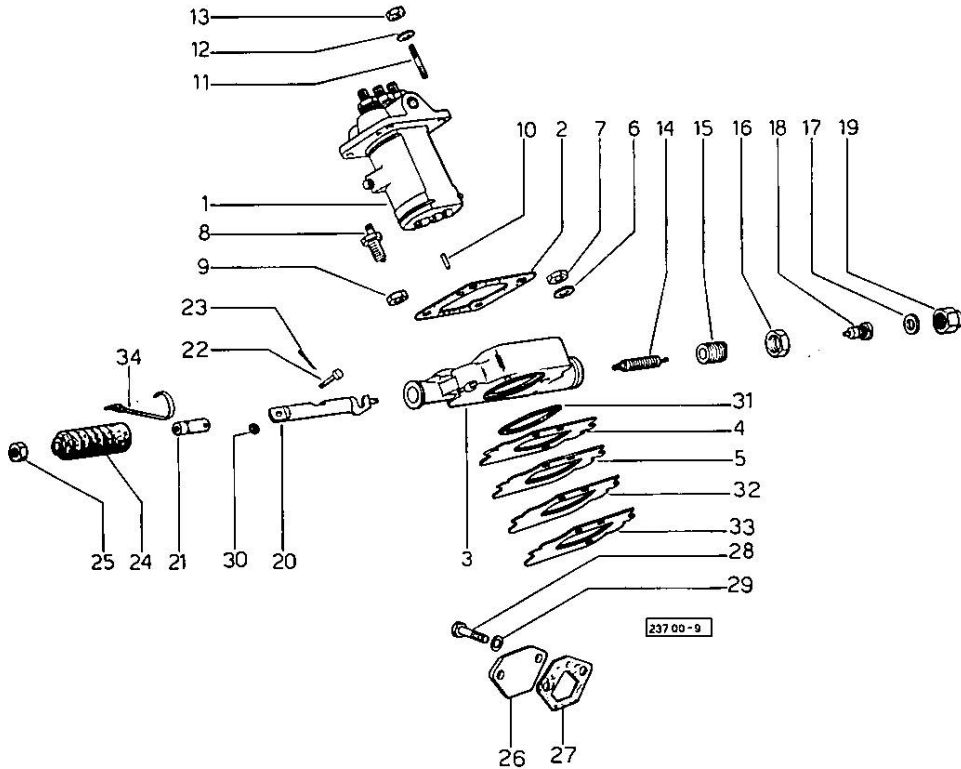


Fig.	P/n	QTY	Name
Notes:			
[FOX 45_I]			
1	2.4639.060.0	1	injector pump ☞ 01.00.10
2	0.035.1651.0	1	gasket
3	0.035.1610.0/10	1	support
4	0.035.1652.0	1	shim mm 0.1
5	0.035.1653.0	1	shim mm 0.20
6	2.1470.007.2	2	lock washer 12
7	2.1011.422.2	2	nut m 12 p.1.25
8	0.027.1663.3	1	start device
9	2.1099.033.1	1	special nut
10	2.1653.306.0	1	pin
11	2.0432.003.1	4	stud bolt m 8 p.1.25 / p.1 x 20
12	2.1470.004.2	4	lock washer 8
13	2.1011.405.2	4	nut m 8 p.1
14	2.4049.063.1	1	spring
15	0.027.1661.0	1	screw
16	2.1019.004.1	1	special nut
17	2.1560.017.0	1	gasket 22.2 x 27
18	0.035.1655.0	1	pin
19	2.1099.045.2	1	special nut
20	0.035.1654.0	1	rod
21	0.000.5620.0	1	fork m 6
22	2.1670.001.2	1	pin 5x14x12
23	2.1690.106.0	1	split pin
24	0.000.5617.0	1	guard
25	2.1011.103.2	1	nut m 6 p.1
26	0.320.1651.0	1	small cover
27	0.029.1655.0	1	gasket mm 1.00
27	0.034.1659.0	1	gasket mm 0.5
27	0.034.1660.0	1	gasket mm 0.20
28	2.0112.204.2	2	screw m 8 p.1.25x14
29	2.1474.009.1	2	spring washer 8
30	2.1599.196.2	1	shoulder ring
31	2.1539.023.0	1	special oil seal
32	0.038.1656.0	2	shim
33	0.038.1655.0	2	shim
34	2.6859.007.0	1	clamp

Thank you so much for reading.
Please click the “Buy Now!”
button below to download the
complete manual.



After you pay.

You can download the most
perfect and complete manual in
the world immediately.

Our support email:

ebooklibonline@outlook.com