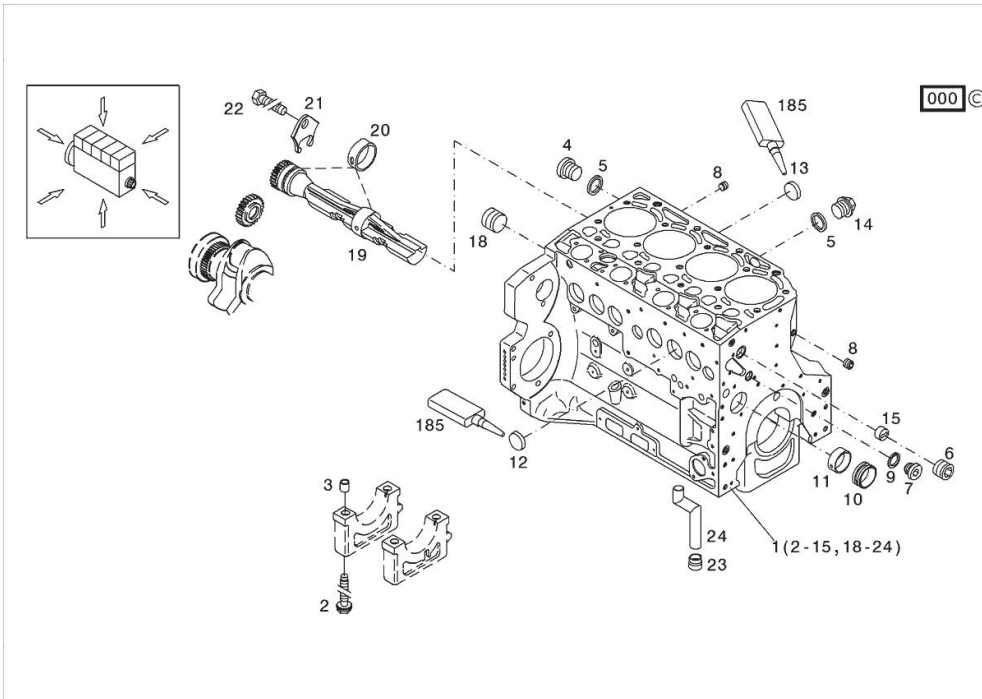


Section: B0 - ENGINE
KURBELGEHAEUSE

Fig.	P/n	QTY	Name
------	-----	-----	------

Notes:
 [IRON 120]

185	01319911	1	sealing compound ml. 50
1	04297344	1	crankcase MIT POS.... (2-15,18-24)
2	04254240	10	screw 50 Nm , 90° , 90°
3	04160764	10	bushing
4	01110423	1	screw 35 Nm DIN 908 -M14X1,5-ST-ZNPHRF
5	01118693	3	gasket 14x20 DIN 7603 -A14X20-CU
6	01180890	1	screw 95 Nm H 2812 -906-M30X1,5-ST-A4C-PRE80
7	04292706	1	plug 80 Nm
8	01182031	2	screw 35 Nm H 2812 -906-M14X1,5-ST-A3C-LOCTITE506
9	01101342	1	oil seal DIN 7603 -D22X27-CU
10	04251884	4	plug
11	04250086	1	ring
12	01148032	6	cover DIN 443 -A45-ZNPHR
13	01148031	4	plug DIN 443 -A36-ZNPHR
14	01100940	2	screw 35 Nm DIN 7604 -AM14X1,5-ST-A4C
15	04202518	1	sleeve
18	04226536	1	bottom 30 Nm
19	04298243	2	shaft
20	04252834	4	bush
21	04251810	2	plug
22	01181672	2	nut H 2091 -4017-M8X16-10.9-GESCHW-MK-1.0
23	04255998	1	ring
24	04291215	1	tube

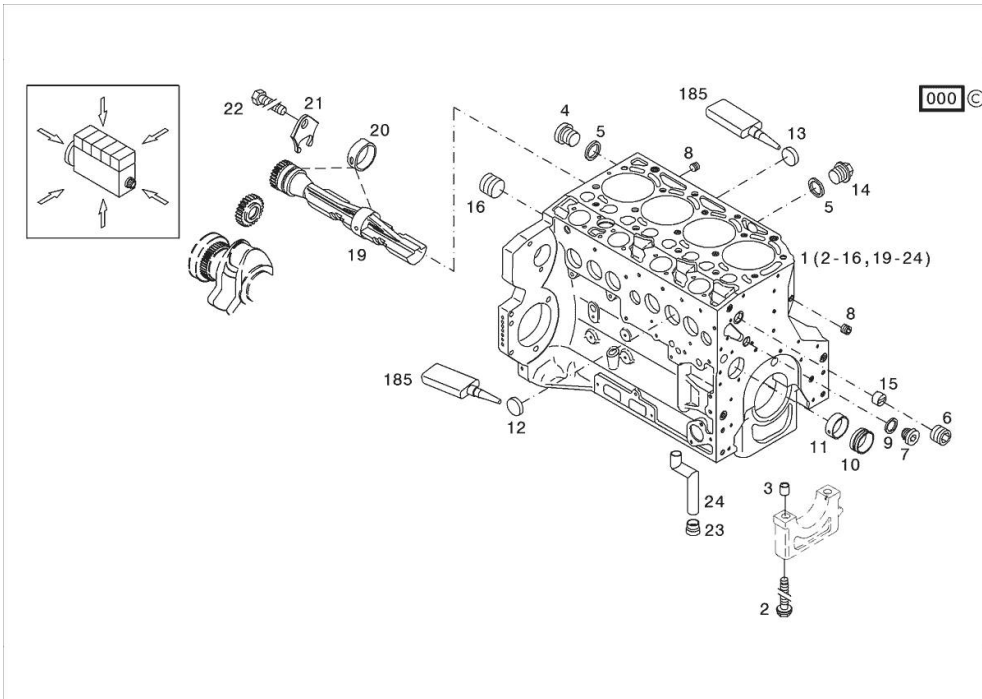


Section: B0 - ENGINE
KURBELGEHAEUSE

Fig.	P/n	QTY	Name
------	-----	-----	------

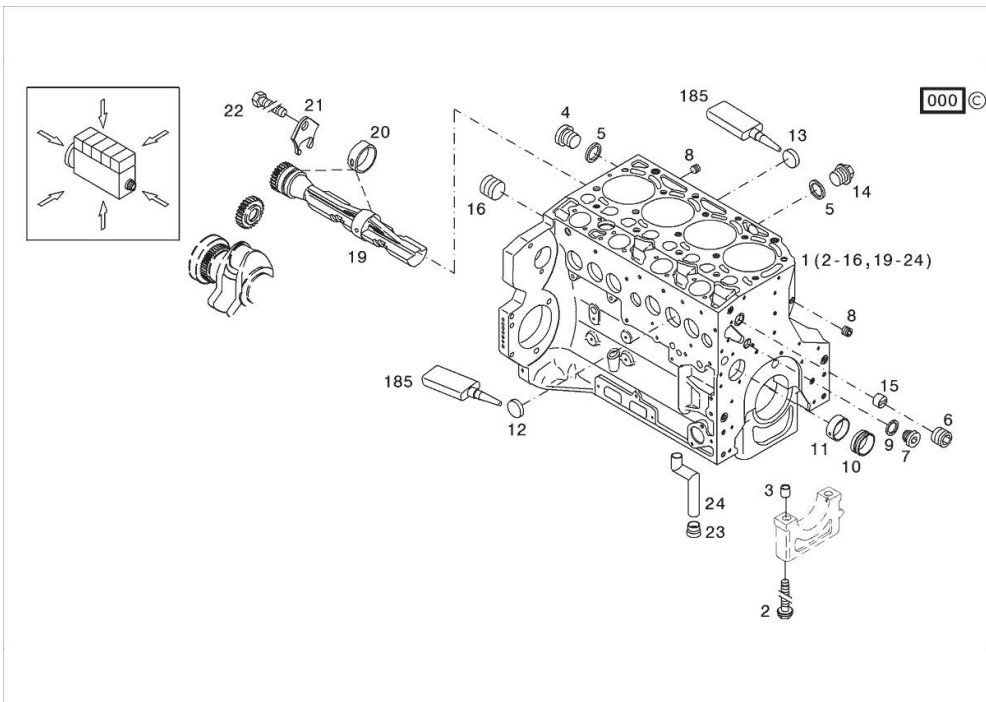
Notes:
 [IRON 120]

1	04506875	1	crankcase MIT POS.... (2-16,19-24)
2	04254240	10	screw 50 Nm , 90° , 90°
3	04160764	10	bushing
4	01110423	1	screw 35 Nm DIN 908 -M14X1,5-ST-ZNPHRF
5	01118693	3	gasket 14x20 DIN 7603 -A14X20-CU
6	01180890	1	screw 95 Nm H 2812 -906-M30X1,5-ST-A4C-PRE80
7	04292706	1	plug 80 Nm
8	01182031	2	screw 35 Nm H 2812 -906-M14X1,5-ST-A3C-LOCTITE506
9	01101342	1	oil seal DIN 7603 -D22X27-CU
10	04251884	4	plug
11	04250086	1	ring
12	01148032	6	cover DIN 443 -A45-ZNPHR
13	01148031	4	plug DIN 443 -A36-ZNPHR
14	01100940	2	screw 35 Nm DIN 7604 -AM14X1,5-ST-A4C
15	04202518	1	sleeve
16	04226536	1	bottom 30 Nm
19	04298243	2	shaft
20	04252834	4	bush
21	04251810	2	plug
22	01181672	2	nut 29 Nm H 2091 -4017-M8X16-10.9-GESCHW-MK-1.0
23	04255998	1	ring
24	04291215	1	tube



KURBELGEHAEUSE

Fig.	P/n	QTY	Name
185	01319911	1	sealing compound ml. 50



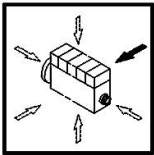
Section: B0 - ENGINE
BLEEDING TUBE

Fig.	P/n	QTY	Name
------	-----	-----	------

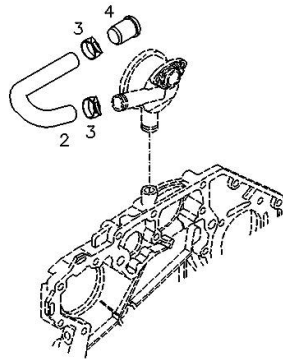
Notes:
 [IRON 120]

Engine serial number:
 1092665

2	04198572	1	tube
3	01178750	2	clamp DIN 3021 -A-29X15
4	01167329	1	bottom H 2873 -A24,6X21,5X25-PEWEICH



000 ©

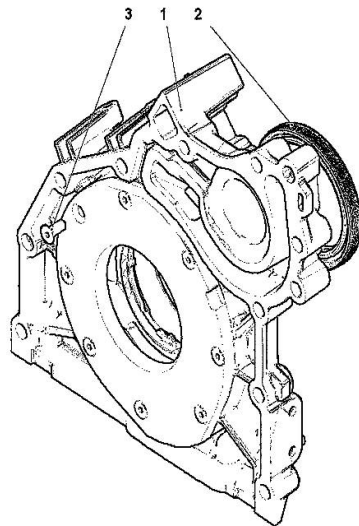


FLANGE

Fig.	P/n	QTY	Name
------	-----	-----	------

Notes:
[IRON 120]

1	04502446	1	oil pump WITH POS.... (2,3)
2	04502202	1	special oil seal
3	01133718	8	screw 8.5 Nm DIN 7991 -M6X16-8.8-A4C



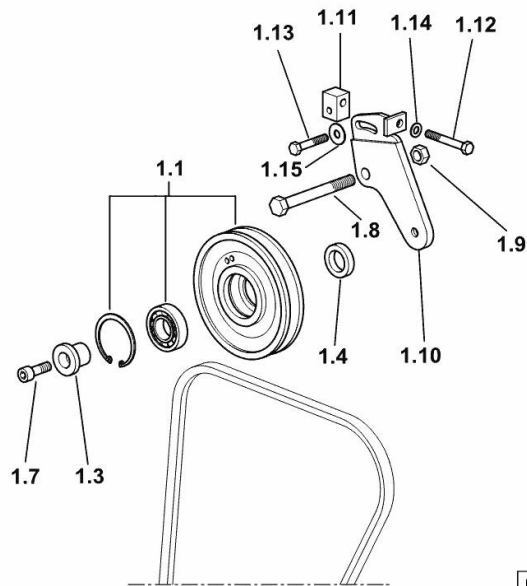
000

V-GROOVED PULLEY

Fig.	P/n	QTY	Name
------	-----	-----	------

Notes:
[IRON 120]

1.1	04454249.4/10	1	pulley
1.3	04454210/10	1	bush
1.4	04454209/10	1	oil seal
1.7	2.0312.310.2	1	screw m 10 p.1.5 x 30
1.8	2.0112.431.2	1	screw m 12 p.1.75 x 110
1.9	2.1121.008.2	1	nut m 12
1.10	04454218.4/10	1	support
1.11	04452570	1	small block
1.12	2.0112.221.2	1	screw m 8 p.1.25 x 60
1.13	2.0112.217.2	1	screw m 8 p.1.25 x 45
1.14	2.1310.004.2	1	flat washer 8.4x17
1.15	2.1312.004.2	1	washer 8x24x2



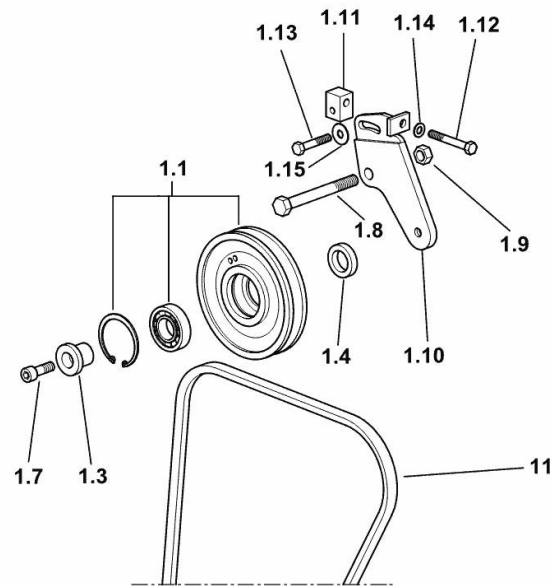
K9_B1686_22_0-A-001

V-GROOVED PULLEY

Fig.	P/n	QTY	Name
------	-----	-----	------

Notes:
[IRON 120]

1.1	04454249.4/10	1	pulley
1.3	04454210/10	1	bush
1.4	04454209/10	1	oil seal
1.7	2.0312.310.2	1	screw m 10 p.1.5 x 30
1.8	2.0112.431.2	1	screw m 12 p.1.75 x 110
1.9	2.1121.008.2	1	nut m 12
1.10	04454218.4/10	1	support
1.11	04452570	1	small block
1.12	2.0112.221.2	1	screw m 8 p.1.25 x 60
1.13	2.0112.217.2	1	screw m 8 p.1.25 x 45
1.14	2.1310.004.2	1	flat washer 8.4x17
1.15	2.1312.004.2	1	washer 8x24x2
11	04452440	1	belt AV 15x1475 mm



K9_B1686_22_0-A-002

FASTENINGS

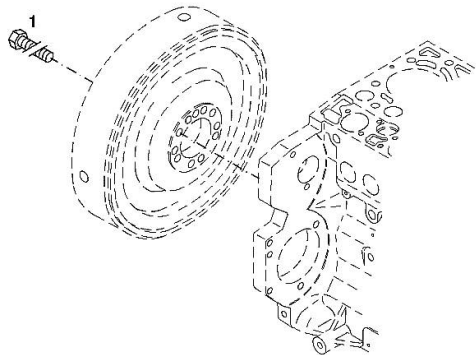
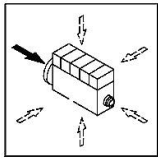
Fig.	P/n	QTY	Name
------	-----	-----	------

Notes:
[IRON 120]

Engine serial number:

1092665 10145801 10146795 10150444 10153187 10154229 10156028 10158871 10159399 10165712 10168038
 10182005 10184356 10184358 10188550 10198660 10198661 10200277 10200280 10206109 10226172 10226201
 10226216 10226219 10234420 10234433 10234450 10234452 10237569 10246357 10249683 10260999 10261001
 10261002 10271464 10271465 10271466 10272280 10272311 10277928 10282805 10282834 10282840 10282842
 10283207 10283208 10283224 10283654 10283669 10283672 10285874 10285882 10285884 10285886 10286845
 10292755 10293887 10293888 10293996 10294896 10294901 10294906 10294908 10296611 10296635 10296670
 10296672 10296687 10296689 10296715 10296729 10296738 10296747 10297545 10297558 10297595 10297602
 10297760 10297780 10297790 10297791 10297884 10297886 10297888 10297912 10297924 10297929 10298487
 10298498 10298540 10298547 10298556 10298580 10298608 10298620 10298632 10298781 10298782 10298786
 10298787 10298788 10298789 10298790 10300241 10587076 10587077 10603658 10603664 10619932 10619933
 10619934 10632606 10632607 10634382 10634383 10634385 10652644 10652654 10660394 10660396 10661902
 10684425

001 ©



1	04204128	10	screw m 10 p.1x35 M10X1X35
---	----------	----	-------------------------------

CRANKSHAFT

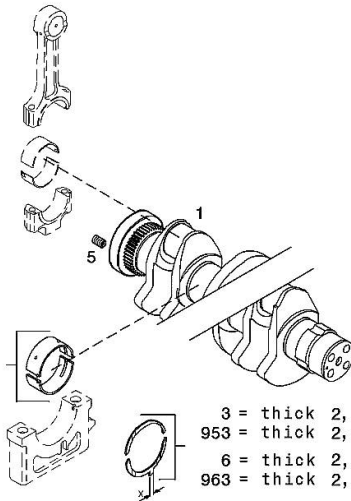
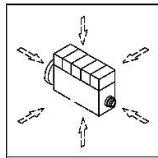
Fig.	P/n	QTY	Name
------	-----	-----	------

Notes:
[IRON 120]

Engine serial number:

10145801 10146795 10150444 10153187 10154229 10156028 10158871 10159399 10165712 10168038 10182005
 10184356 10184358 10188550 10198660 10198661 10200277 10200280 10206109 10226172 10226201 10226216
 10226219 10234420 10234433 10234450 10234452 10237569 10246357 10249683 10260999 10261001 10261002
 10271464 10271465 10271466 10272280 10272311 10277928 10282805 10282834 10282840 10282842 10283207
 10283208 10283224 10283654 10283669 10283672 10285874 10285882 10285884 10285886 10286845 10292755
 10293887 10293888 10293996 10294896 10294901 10294906 10294908 10296611 10296635 10296670 10296672
 10296687 10296689 10296715 10296729 10296738 10296747 10297545 10297558 10297595 10297602 10297760
 10297780 10297790 10297791 10297884 10297886 10297888 10297912 10297924 10297929 10298487 10298498
 10298540 10298547 10298556 10298580 10298608 10298620 10298632 10298781 10298782 10298786 10298787
 10298788 10298789 10298790 10300241 10587076 10587077 10603658 10603664 10619932 10619933 10619934
 10632606 10632607 10634382 10634383 10634385 10652644 10652654 10660394 10660396 10661902 10684425

003 ©



2 = diam. 84,00 mm
952 = diam. 83,75 mm

3 = thick 2,00 mm X = 14,00 mm
953 = thick 2,20 mm X = 14,00 mm
6 = thick 2,00 mm X = 10,00 mm
963 = thick 2,20 mm X = 10,00 mm

1	04292803	1	crankshaft
2	02931062	5	main bearing STANDARD NORMAL (A) MM RD, UNDERSIZE SEE POS. (B) A = 84.00 B = POS. 952
3	02931331	2	shoulder ring STANDARD NORMAL (A) MM, OVERSIZE SEE POS. (B) POS. (B) A = 2.00 B = Pos. 953
5	01172066	10	insert H 2358 -AM10X1X20
6	02931063	2	shoulder ring STANDARD NORMAL (A) MM, OVERSIZE SEE POS. (B) POS. (B) A = 2.00 B = Pos. 963
952	02931071	1	main bearing - mm 0.25 1st UNDERSIZE 83.75 mm
953	02931332	1	shoulder ring 1st OVERSIZE 2.20 MM
963	02931074	1	shoulder ring 1st OVERSIZE 2.20 MM

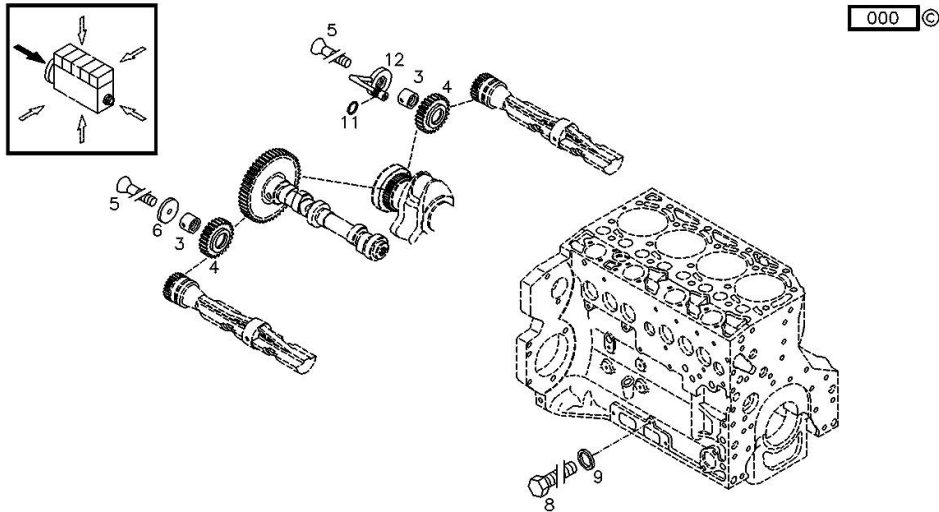
Section: B0 - ENGINE
COUNTERWEIGHTS

Fig.	P/n	QTY	Name
------	-----	-----	------

Notes:
 [IRON 120]

Engine serial number:

1092665 10145801 10146795 10150444 10153187 10154229 10156028 10158871 10159399 10165712 10168038
 10182005 10184356 10184358 10188550 10198660 10198661 10200277 10200280 10206109 10226172 10226201
 10226216 10226219 10234420 10234433 10234450 10234452 10237569 10246357 10249683 10260999 10261001
 10261002 10271464 10271465 10271466 10272280 10272311 10277928 10282805 10282834 10282840 10282842
 10283207 10283208 10283224 10283654 10283669 10283672 10285874 10285882 10285884 10285886 10286845
 10292755 10293887 10293888 10293996 10294896 10294901 10294906 10294908 10296611 10296635 10296670
 10296672 10296687 10296689 10296715 10296729 10296738 10296747 10297545 10297558 10297595 10297602
 10297760 10297780 10297790 10297791 10297884 10297886 10297888 10297912 10297924 10297929 10298487
 10298498 10298540 10298547 10298556 10298580 10298608 10298620 10298632 10298781 10298782 10298786
 10298787 10298788 10298789 10298790 10300241 10587076 10587077 10603658 10603664 10619932 10619933
 10619934 10632606 10632607 10634382 10634383 10634385 10652644 10652654 10660394 10660396 10661902
 10684425



3	04288828	2	journal
4	04294449	2	gear
5	01181673	2	screw H 2091 -7991-M8X45-10.9-GESCHW-MK-1.0
6	04255410	1	ring
8	01148220	2	valve ISO 4017 -M8X10-8.8-ZNAL-A
9	01118647	2	oil seal 8x11,5 d7603 DIN 7603 -A8X11,5-CU
11	01181582	1	shoulder ring H 2927 -7X1,5-ACM-1-70
12	04255412	1	pin

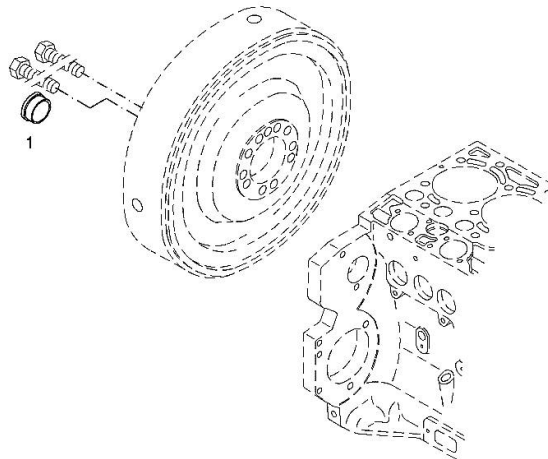
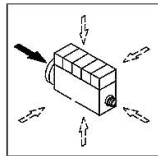
PLUG

Fig.	P/n	QTY	Name
------	-----	-----	------

Notes:
[IRON 120]

Engine serial number:

1092665 10145801 10146795 10150444 10153187 10154229 10156028 10158871 10159399 10165712 10168038
 10182005 10184356 10184358 10188550 10198660 10198661 10200277 10200280 10206109 10226172 10226201
 10226216 10226219 10234420 10234433 10234450 10234452 10237569 10246357 10249683 10260999 10261001
 10261002 10271464 10271465 10271466 10272280 10272311 10277928 10282805 10282834 10282840 10282842
 10283207 10283208 10283224 10283654 10283669 10283672 10285874 10285882 10285884 10285886 10286845
 10292755 10293887 10293888 10293996 10294896 10294901 10294906 10294908 10296611 10296635 10296670
 10296672 10296687 10296689 10296715 10296729 10296738 10296747 10297545 10297558 10297595 10297602
 10297760 10297780 10297790 10297791 10297884 10297886 10297888 10297912 10297924 10297929 10298487
 10298498 10298540 10298547 10298556 10298580 10298608 10298620 10298632 10298781 10298782 10298786
 10298787 10298788 10298789 10298790 10300241 10587076 10587077 10603658 10603664 10619932 10619933
 10619934 10632606 10632607 10634382 10634383 10634385 10652644 10652654 10660394 10660396 10661902
 10684425



1	01175750	5	plug - UP TO MONTH OF ASSEMBLY (A) - FROM MONTH OF ASSEMBLY SEE POS. (B) 11/2006
950	01167313	5	plug - FROM MONTH OF ASSEMBLY SEE POS. (B) - UP TO MONTH OF ASSEMBLY (A) FROM MONTH OF ASSEMBLY 12/2006

Thank you so much for reading.
Please click the “Buy Now!”
button below to download the
complete manual.



After you pay.

You can download the most
perfect and complete manual in
the world immediately.

Our support email:

ebooklibonline@outlook.com