

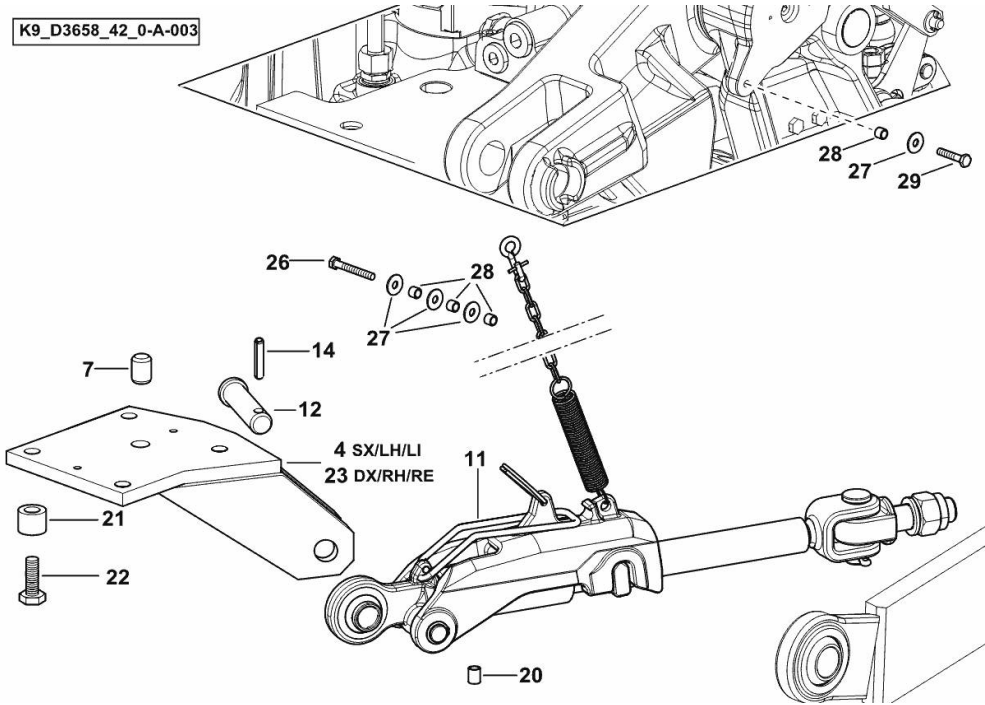
THREE-POINT HITCH - AUTOMATIC LATERAL STABILIZERS SX/LH/LI - DX/RH/RE

Fig.	P/n	QTY	Name
------	-----	-----	------

Notes:
 - FOR TYPES W/ PICK-UP-HITCH AND ADJUSTABLE ON LH AND RH SIDE [IRON 140 DCR -> 10010 -> 30000]

4	04411063/30	1	end bracket sx/lh/li
7	2.1659.526.6	2	cylindrical plug 20x24
11	0.015.4029.4	2	stabiliser ☞ 0.015.4029.4
12	04414819/10	2	pin
14	2.1630.818.2	2	pin 10x55
20	04355272	2	bushing 9x13x16
21	04422335	8	spacer 17x30.5x24
22	2.0119.283.6	8	screw m 16 x 70
23	04411062/20	1	end bracket dx/rh/re
26	2.0114.219.2	1	screw m 8 p.1.25 x 60
27	2.1312.004.2	4	washer 8x24x2
28	04451581	4	spacer 9x12x9
29	2.0114.215.2	1	screw m 8 p.1.25 x 40

K9_D3658_42_0-A-003



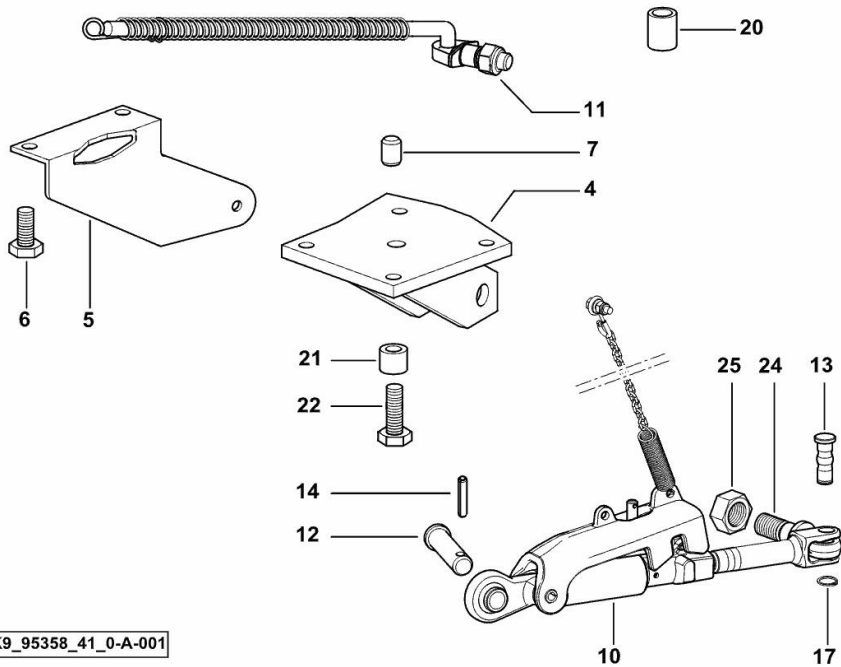
THREE-POINT HITCH - AUTOMATIC LATERAL STABILIZERS - SX/LH/LI

Fig.	P/n	QTY	Name
------	-----	-----	------

Notes:

- ADJUSTABLE ON LH SIDE [IRON 140 DCR -> 10010 -> 30000] 10017 <-

4	04411063/10	1	end bracket sx/lh/li
5	04416256	1	plate
6	01112683	2	screw m 16 x 40
7	2.1659.526.6	1	cylindrical plug 20x24
10	0.012.9801.4/10	1	stabiliser ☞ 0.012.9801.4/10
11	04414942.4/10	1	support ☞ 04414942.4/10
12	04414819	1	pin
13	04414932	2	pin
14	2.1630.818.2	1	pin 10x55
17	01143888	1	ring
20	04355272	1	bushing 9x13x16
21	04422335	4	spacer 17x30.5x24
22	2.0119.283.6	4	screw m 16 x 70
24	04435435	1	screw 3-PK
25	2.1120.014.2	1	nut



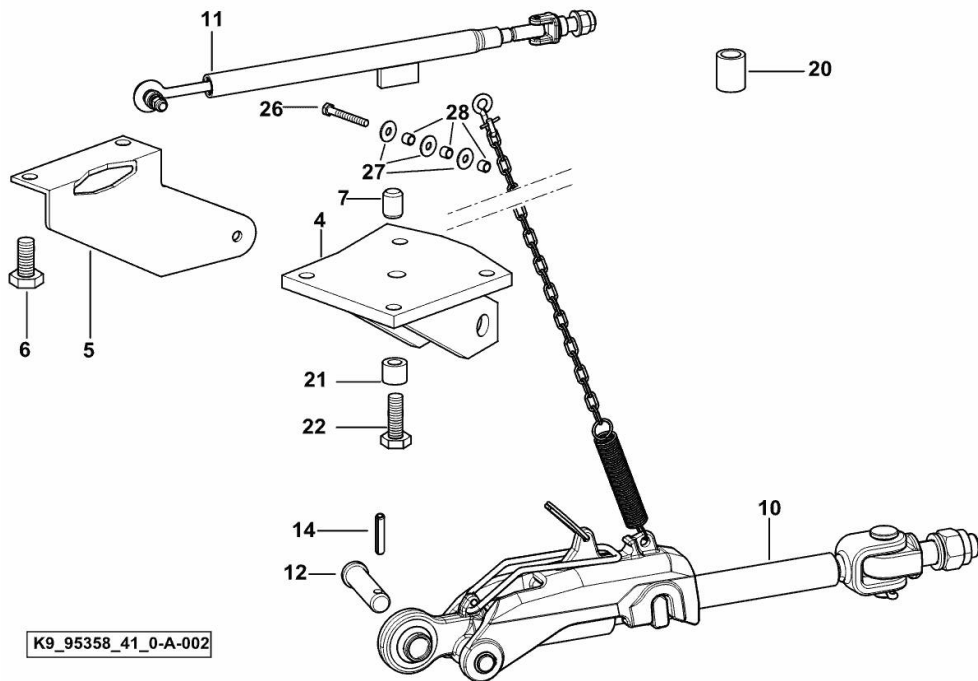
THREE-POINT HITCH - AUTOMATIC LATERAL STABILIZERS - SX/LH/LI

Fig.	P/n	QTY	Name
------	-----	-----	------

Notes:

- ADJUSTABLE ON LH SIDE [IRON 140 DCR -> 10010 -> 30000]

4	04411063/30	1	end bracket sx/lh/li
5	04416256	1	plate
6	01112683	2	screw m 16 x 40
7	2.1659.526.6	1	cylindrical plug 20x24
10	0.015.4023.4	1	stabiliser kpl. ☞ 0.015.4023.4 ☞ 0.015.4023.4
11	0.015.7687.4	1	stabiliser ☞ 0.015.7687.4
12	04414819/10	1	pin
14	2.1630.818.2	1	pin 10x55
20	04355272	1	bushing 9x13x16
21	04422335	4	spacer 17x30.5x24
22	2.0119.283.6	4	screw m 16 x 70
26	2.0114.219.2	1	screw m 8 p.1.25 x 60
27	2.1312.004.2	3	washer 8x24x2
28	04451581	3	spacer 9x12x9



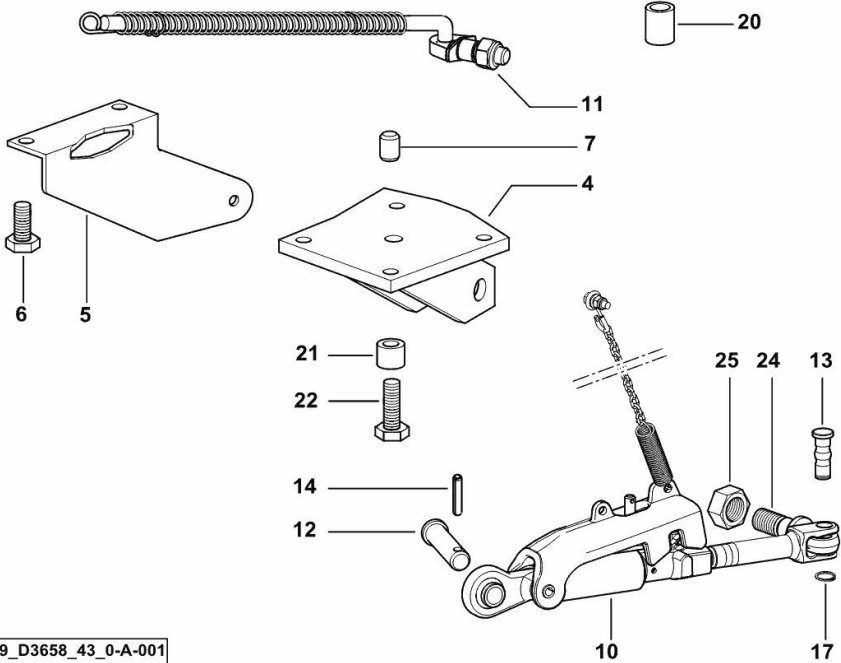
THREE-POINT HITCH - AUTOMATIC LATERAL STABILIZERS - SX/LH/LI

Fig.	P/n	QTY	Name
------	-----	-----	------

Notes:

- FOR TYPES W/ PICK-UP-HITCH AND ADJUSTABLE ON LH SIDE [IRON 140 DCR -> 10010 -> 30000]

4	04411063/10	1	end bracket sx/lh/li
5	04416256	1	plate
6	01112683	2	screw m 16 x 40
7	2.1659.526.6	1	cylindrical plug 20x24
10	04452979/10	1	stabiliser ☞ 04452979/10
11	04414942.4/10	1	support ☞ 04414942.4/10
12	04414819	1	pin
13	04414932	1	pin
14	2.1630.818.2	1	pin 10x55
17	01143888	1	ring
20	04355272	1	bushing 9x13x16
21	04422335	4	spacer 17x30.5x24
22	2.0119.283.6	4	screw m 16 x 70
24	04435435	1	screw 3-PK
25	2.1120.014.2	1	nut



K9_D3658_43_0-A-001

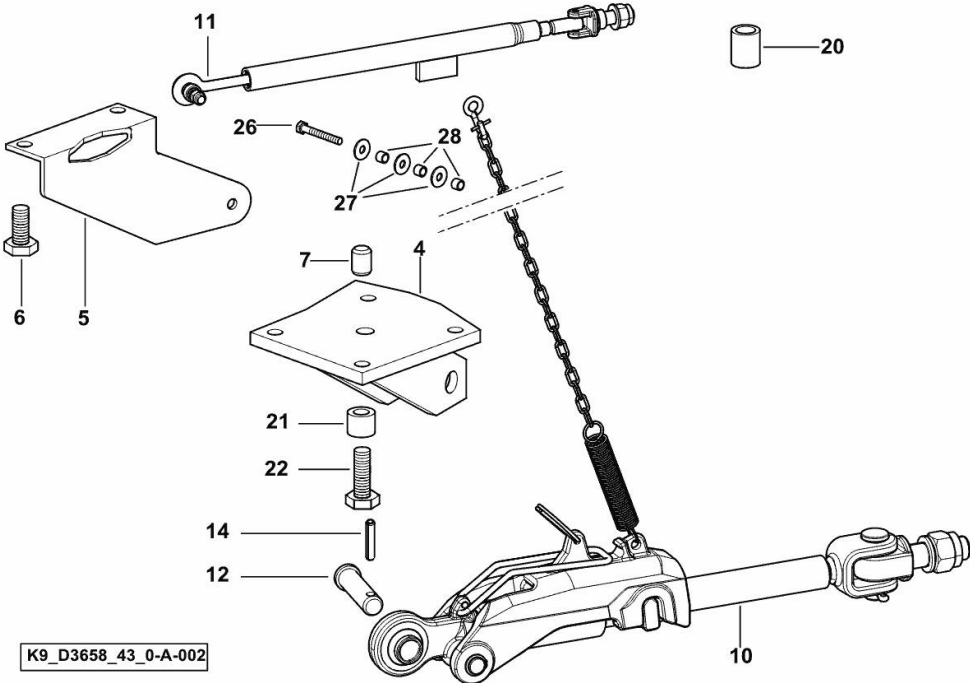
THREE-POINT HITCH - AUTOMATIC LATERAL STABILIZERS - SX/LH/LI

Fig.	P/n	QTY	Name
------	-----	-----	------

Notes:

- FOR TYPES W/ PICK-UP-HITCH AND ADJUSTABLE ON LH SIDE [IRON 140 DCR -> 10010 -> 30000]

4	04411063/30	1	end bracket sx/lh/li
5	04416256	1	plate
6	01112683	2	screw m 16 x 40
7	2.1659.526.6	1	cylindrical plug 20x24
10	0.015.4029.4	1	stabiliser ☞ 0.015.4029.4
11	0.015.7687.4	1	stabiliser ☞ 0.015.7687.4
12	04414819/10	1	pin
14	2.1630.818.2	1	pin 10x55
20	04355272	1	bushing 9x13x16
21	04422335	4	spacer 17x30.5x24
22	2.0119.283.6	4	screw m 16 x 70
26	2.0114.219.2	1	screw m 8 p.1.25 x 60
27	2.1312.004.2	3	washer 8x24x2
28	04451581	3	spacer 9x12x9

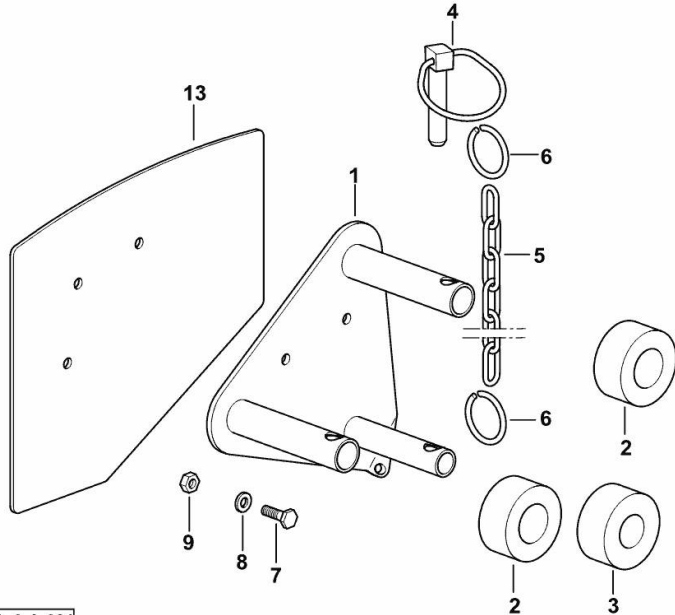


RETAINER FOR COLLECTING TRAY - SX/LH/LI

Fig.	P/n	QTY	Name
------	-----	-----	------

Notes:
 FOR TYPES WITH 145 mm REAR FENDER EXTENSIONS [IRON 140 DCR -> 10010 -> 30000] 30020 <-

1	04423557.4	1	support
2	04427960	2	rubber ring Ø 26
3	04423947	1	rubber ring Ø 22
4	01124059	1	pin
5	01402736	1	chain mm 175
6	04305741	2	ring
7	2.0114.007.2	3	screw m 6 p.1 x 20
8	2.1310.002.2	3	flat washer 6.4x12.5
9	01133500	3	nut vm 6 d980
13	04436463	1	plate



K9_95358_70_0-A-001

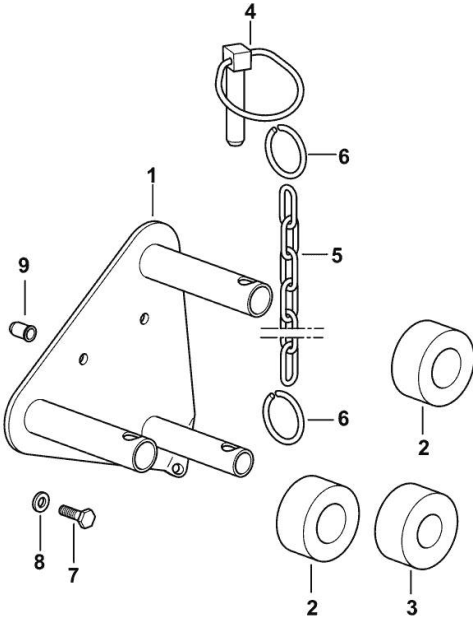
RETAINER FOR COLLECTING TRAY - SX/LH/LI

Fig.	P/n	QTY	Name
------	-----	-----	------

Notes:
 FOR TYPES WITH 145 mm REAR FENDER EXTENSIONS [IRON 140 DCR -> 10010 -> 30000]

1	04423557.4	1	support
2	04427960	2	rubber ring Ø 26
3	04423947	1	rubber ring Ø 22
4	04311054	1	pin
5	01402736	-	chain mm 175
6	04305741	2	ring
7	2.0114.007.2	3	screw m 6 p.1 x 20
8	2.1310.002.2	3	flat washer 6.4x12.5
9	2.1142.004.2	3	insert m 6

K9_95358_70_0-A-002

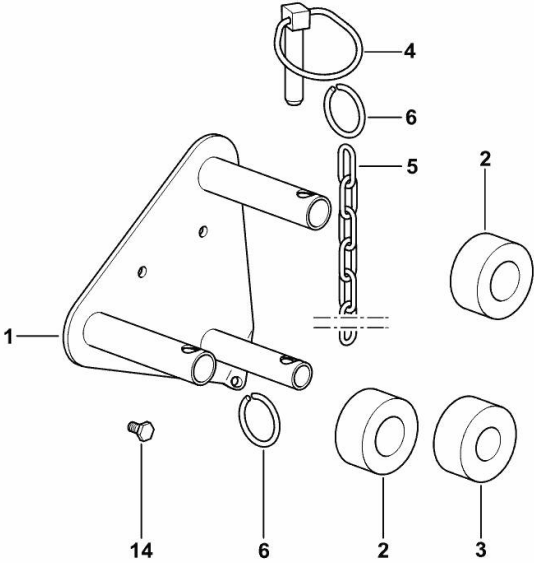


RETAINER FOR COLLECTING TRAY

Fig.	P/n	QTY	Name
------	-----	-----	------

Notes:
 FOR TYPES WITH 250 mm REAR FENDER EXTENSIONS [IRON 140 DCR -> 10010 -> 30000] 30012 <-

1	04423557.4	1	support
2	04427960	2	rubber ring Ø 26
3	04423947	1	rubber ring Ø 22
4	01124059	1	pin
5	01402736	1	chain mm 175
6	04305741	2	ring
14	2.0114.003.2	3	screw m 6 p.1 x 12



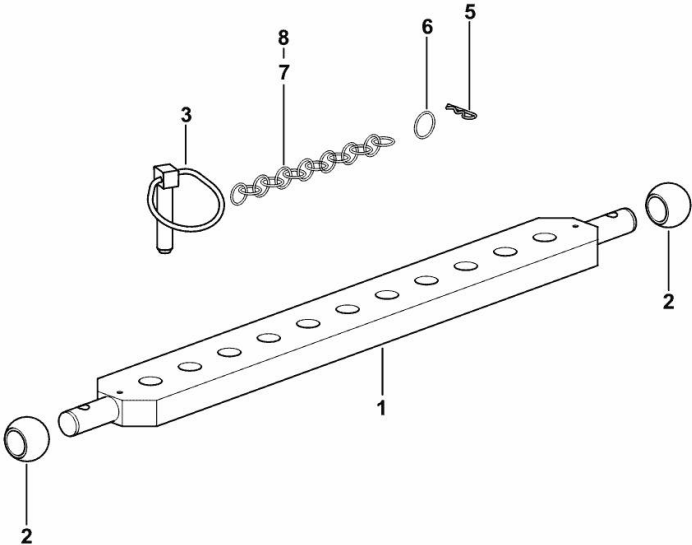
K9_95358_71_0-A-001

TOWING BAR

Fig.	P/n	QTY	Name
------	-----	-----	------

Notes:
 [IRON 140 DCR -> 10010 -> 30000]

1	04309365/10	1	hake bar
2	0.760.3954.0	2	cap 3 cat.
3	04315865	2	pin
5	01132654	2	split pin
6	04305741	2	ring
7	01402736	1	chain mm 175
8	01402736	1	chain mm 175



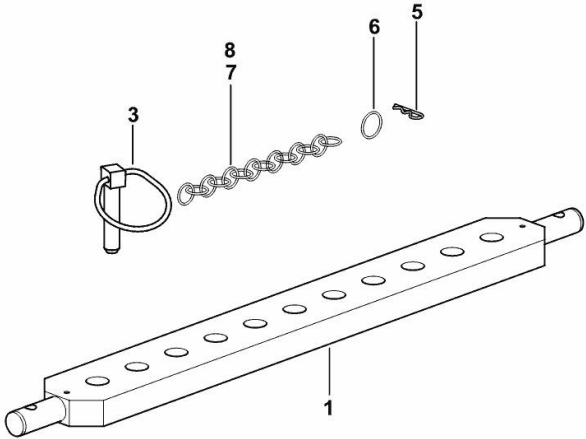
K9_95058_20_0-A-001

TOWING BAR

Fig.	P/n	QTY	Name
------	-----	-----	------

Notes:
 [IRON 140 DCR -> 10010 -> 30000]

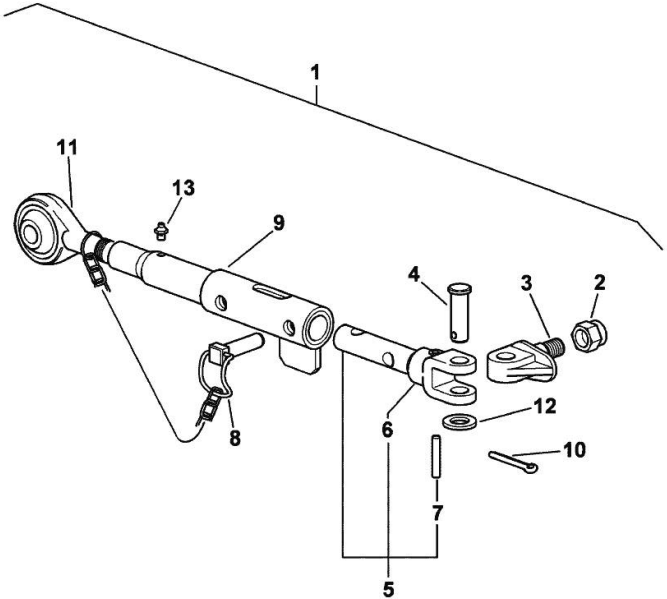
1	04309365/10	1	hake bar
3	04315865	2	pin
5	01132654	2	split pin
6	04305741	2	ring
7	01402736	1	chain mm 175
8	01402736	1	chain mm 175



K9_95058_20_0-A-002

MANUAL LATERAL STABILIZERS

Fig.	P/n	QTY	Name
1	0.010.5222.4/80	1	stabiliser
2	2.1120.213.2	1	self-locking nut m 24 p.2
3	0.012.4092.0/10	1	pin
4	2.1679.085.2	1	pin 25x80
5	0.010.5217.3/10	1	rod
6	0.96026.53.0/20	1	fork
7	2.1630.718.2	1	pin 8x55
8	0.012.4364.4	1	chain
9	0.010.5228.2/20	1	tube
10	2.1690.513.2	1	split pin 5 x 36
11	0.010.5226.3/10	1	rod dx/rh/re
12	2.1311.014.2	1	flat washer Ø 25
13	2.3820.105.2	1	grease gun m 10 p.1 x 7



0.010.5222.4/80

Thank you so much for reading.
Please click the “Buy Now!”
button below to download the
complete manual.



After you pay.

You can download the most
perfect and complete manual in
the world immediately.

Our support email:

ebooklibonline@outlook.com