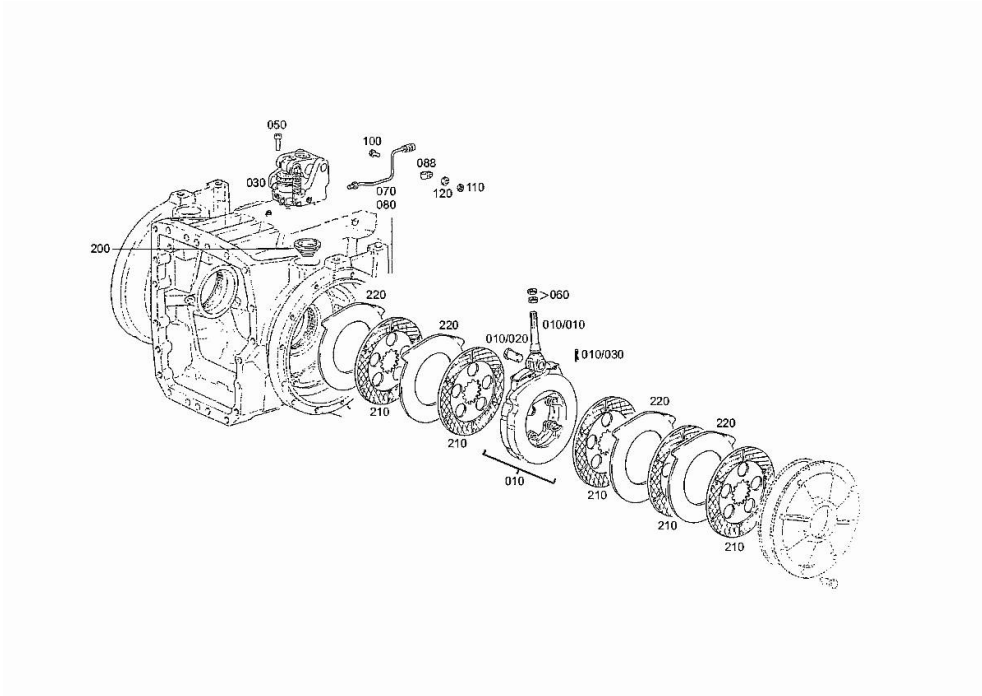


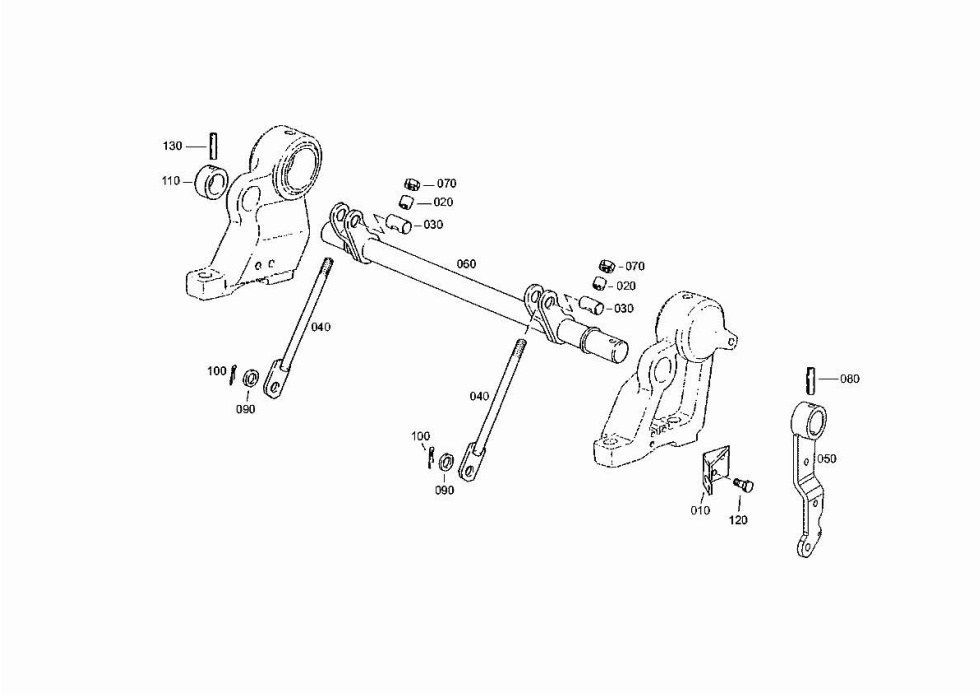
Section: D0 - TRANSMISSION
SERVICE BRAKE 2093 009 056

Fig.	P/n	QTY	Name
10	0.900.0800.4	2	transmission brake
10.10	04428551	1	rod
10.20	04435740	1	pin
10.30	04435741	1	split pin
30	0.900.0800.5	2	operation
50	0.900.0469.7	6	screw m 10 x 40
60	04434557	4	nut m 14 p.1.5
70	04428545	1	tube sx/lh/li
80	04428546	1	piping dx/rh/re
88	0.900.0468.2	2	clamp 6x12
100	0.900.0280.1	2	screw m 5 x 25
110	0.900.0470.2	2	nut m 5
120	0.900.0281.6	2	nut
200	0.900.0800.9	2	rubber bushing
210	0.900.0801.2	10	disc
220	0.900.0801.3	8	disc



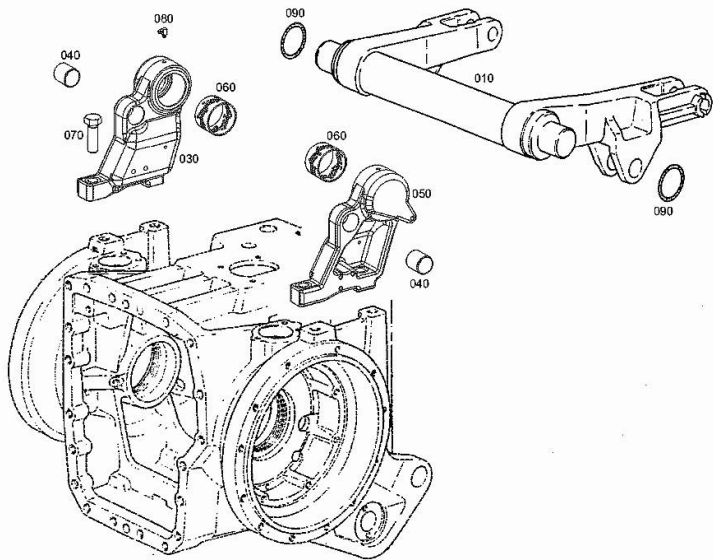
BRAKE CONTROLS 2093 009 056

Fig.	P/n	QTY	Name
10	0.900.1239.7	1	bracket
20	0.900.1239.8	2	tube
30	0.900.1239.9	2	pin
40	0.900.1240.0	2	rod
50	0.900.1240.1	1	lever
60	0.900.1240.2	1	shaft
70	0.900.0281.9	2	nut m 12
80	0.010.3459.1	1	roll pin
90	0.900.0466.9	2	washer
100	0.900.0468.1	2	split pin 3.2x18
110	0.900.1240.3	1	spacer
120	0.900.0469.4	3	screw m 8 p.1.25 x 20
130	0.010.2901.1	1	pin 6x50



LIFTING 2093 009 056

Fig.	P/n	QTY	Name
10	0.900.0883.4	1	shaft
30	0.900.0802.9	1	bearing block dx/rh/re
40	0.010.3844.1	2	bearing
50	0.900.0803.0	1	bearing block sx/lh/li
60	04417549	2	special bushing
70	0.900.0469.1	4	screw m 20x65
80	04427636	2	grease gun m 8 p.1 x 8
90	04417552	2	ring 78.5x6

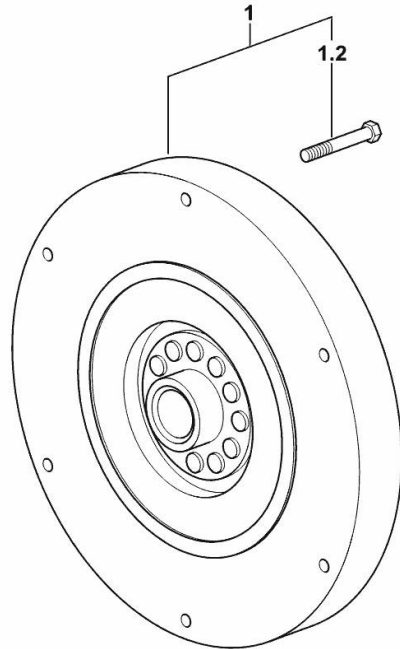


FILEX COUPLING

Fig.	P/n	QTY	Name
------	-----	-----	------

Notes:
[IRON 150]

1	04415695.4	1	flex coupling
1.2	2.0119.322.7	6	screw m 8 x 50



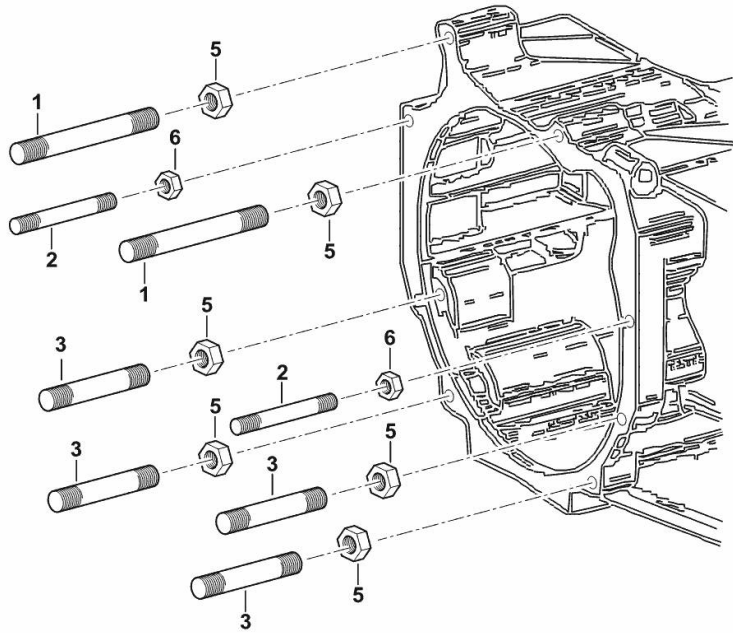
K9_95330_01_0-A-001

GEARBOX FASTENERS

Fig.	P/n	QTY	Name
------	-----	-----	------

Notes:
[IRON 150]

1	2.0439.288.6/10	2	stud bolt m 16 p.2x140
2	2.0439.289.6/20	2	stud bolt m 12 p.1.75x100
3	2.0439.290.6/10	4	stud bolt m 16 p.2x120
5	2.1012.109.7	6	nut m 16
6	2.1012.107.7	2	nut m 12



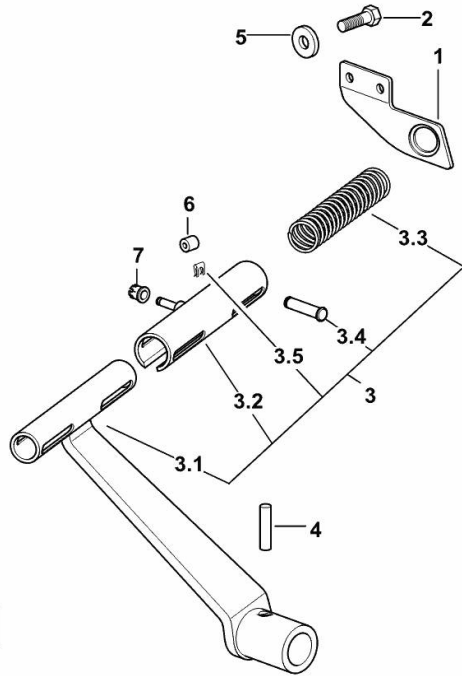
K9_95331_01_0-A-001

SUPER-REDUCTION CONTROL

Fig.	P/n	QTY	Name
------	-----	-----	------

Notes:
[IRON 150]

1	04411750	1	support
2	2.0114.207.2	2	screw m 8 p.1.25 x 20
3	04415458.4	1	lever
3.1	04414553.4	1	lever
3.2	04414554.4	1	tube
3.3	04414549	1	spring
3.4	04414557	2	pin
3.5	01175655	2	stop
4	2.1630.916.2	1	pin 12x45
5	04418159	2	circlip
6	04415468	1	stop
7	04415469	1	clip



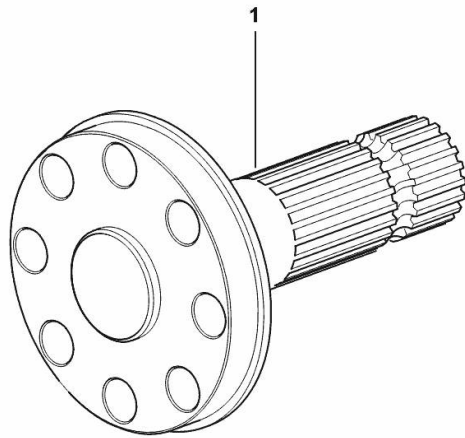
K9_95364_03_0-A-001

PTO OUTPUT SHAFT Z = 21

Fig.	P/n	QTY	Name
------	-----	-----	------

Notes:
[IRON 150]

1	04413621	1	shaft Z = 21
---	----------	---	--------------



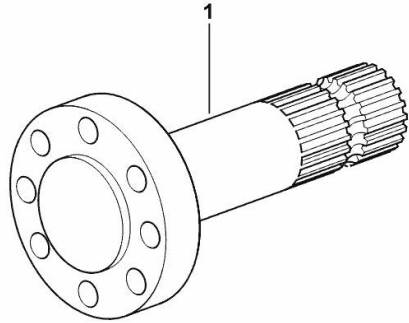
K9_B1636_11_0-A-001

PTO OUTPUT SHAFT 1"3/4, Z = 20

Fig.	P/n	QTY	Name
------	-----	-----	------

Notes:
[IRON 150]

1	04413632	1	shaft 1"3/4, Z = 20
---	----------	---	---------------------



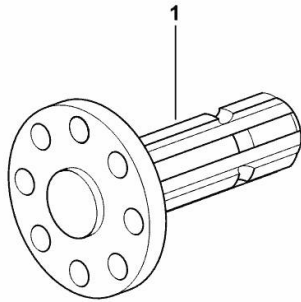
K9_F5336_11_0-A-001

PTO OUTPUT SHAFT 1" 3/4, Z = 6

Fig.	P/n	QTY	Name
------	-----	-----	------

Notes:
[IRON 150]

1	04454955	1	shaft 1" 3/4, Z = 6
---	----------	---	---------------------



K9_F5336_12_0-A-001

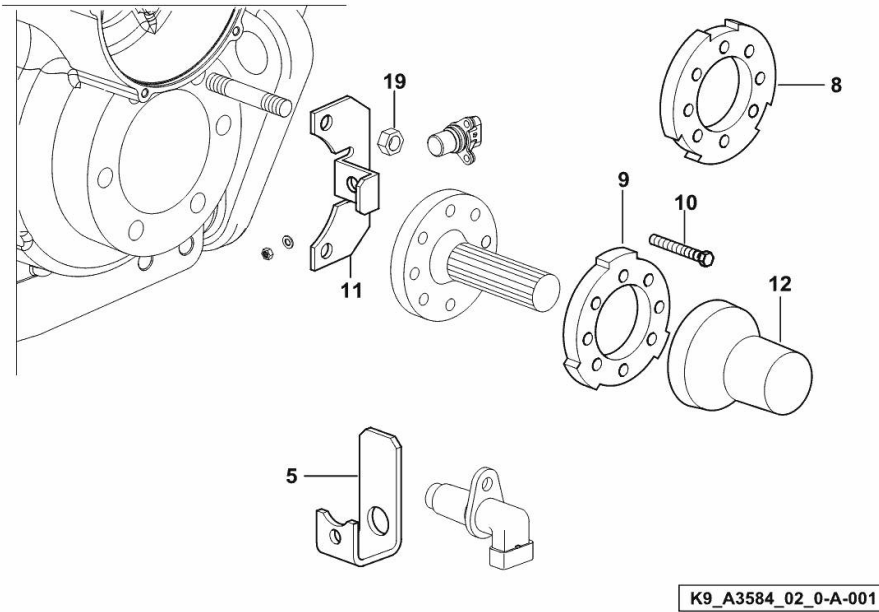
COMPLETION

Fig.	P/n	QTY	Name
------	-----	-----	------

Notes:

- EXPORT U.S.A. [IRON 150]

5	04418427/10	1	bracket
8	0.012.9600.0/20	1	disc 540
9	0.012.9599.0/20	1	disc 1000
10	2.0119.251.2	8	screw m 12 p.1.75 x 60
11	0.012.9605.0/10	1	support
12	0.012.9643.0/10	1	guard
19	2.1011.106.2	2	nut m 10 p.1.5



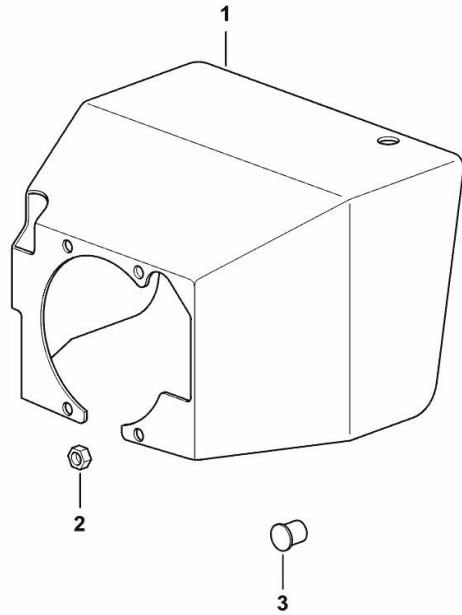
P.T.O. SHAFT PROTECTOR REAR

Fig.	P/n	QTY	Name
------	-----	-----	------

Notes:

[IRON 150] 1041 <-

1	04419617/10	1	guard
2	2.1011.105.2	4	nut m 8 p.1.25
3	01167319	21	bottom



K9_95336_20_0-A-001

Thank you so much for reading.
Please click the “Buy Now!”
button below to download the
complete manual.



After you pay.

You can download the most
perfect and complete manual in
the world immediately.

Our support email:

ebooklibonline@outlook.com