

**DRIVEN FRONT AXLE - 641657**

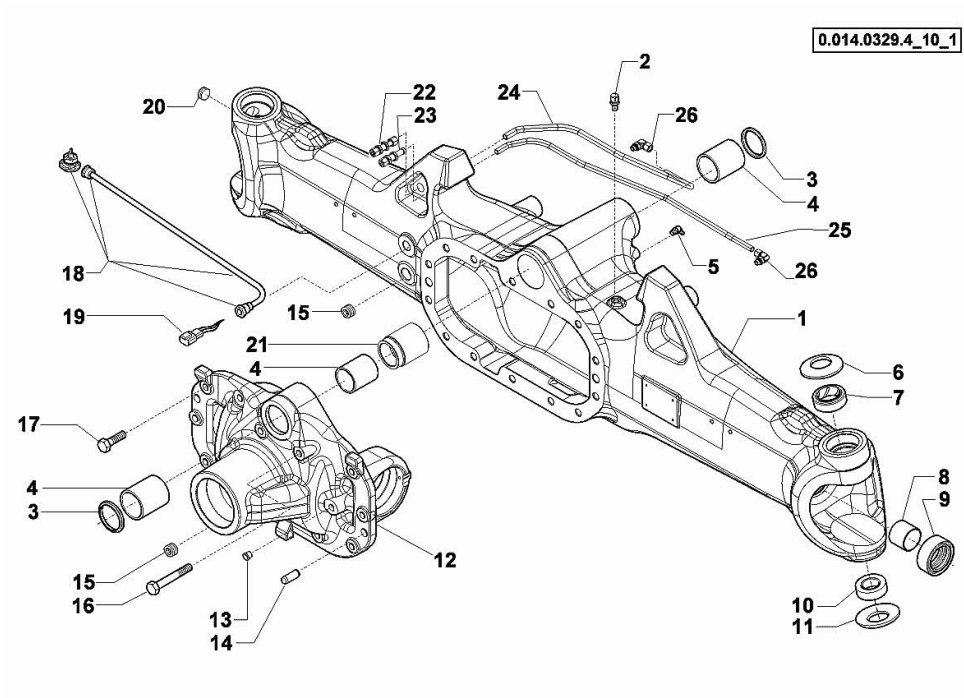


Fig.	P/n	QTY	Name
1	0.900.0961.1	1	axle
2	0.900.0079.8	1	breather m 10 p.1
3	0.900.0079.9	2	circlip
4	0.900.0080.0	3	bushing
5	0.900.0080.1	1	grease gun m 8 p.1, 45°
6	0.900.0080.2	2	spring
7	0.900.0080.3	2	bushing
8	0.900.0080.4	2	bushing
9	0.900.0912.6	2	oil seal 40x65x27,5
10	0.900.0080.6	2	bearing
11	0.900.0080.7	2	spring
12	0.900.0960.4	1	support
13	0.900.0111.0	4	plug D1
14	0.900.0081.0	2	pin Ø 15x45
15	0.900.0081.1	2	plug m 24 p.1.5
16	0.900.0081.2	2	screw m 14x75
17	0.900.0081.3	12	screw m14 x 40
18	0.900.0504.8	1	sensor - KIT
19	0.900.0081.5	1	connector
20	0.900.0081.6	1	plug m 26 p.1.5
21	0.900.0082.2	1	bushing
22	0.900.0081.7	1	pipe fitting
23	0.900.0081.8	1	pipe fitting
24	0.900.0106.8	1	tube
25	0.900.0106.9	1	tube
26	0.900.0107.0	2	pipe fitting

**STEERING CYLINDER - 641657**

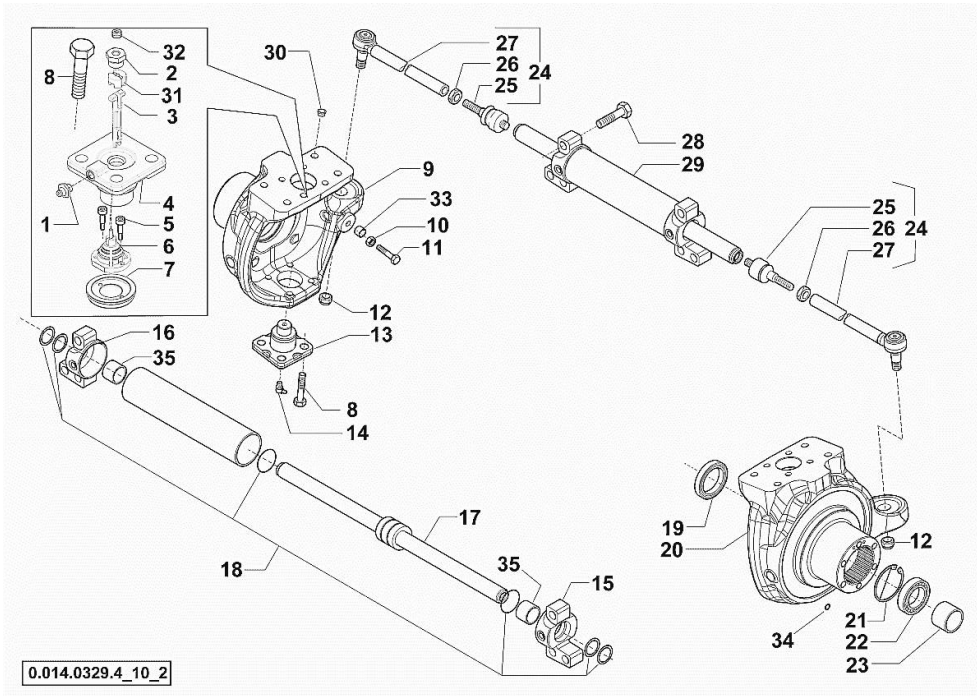
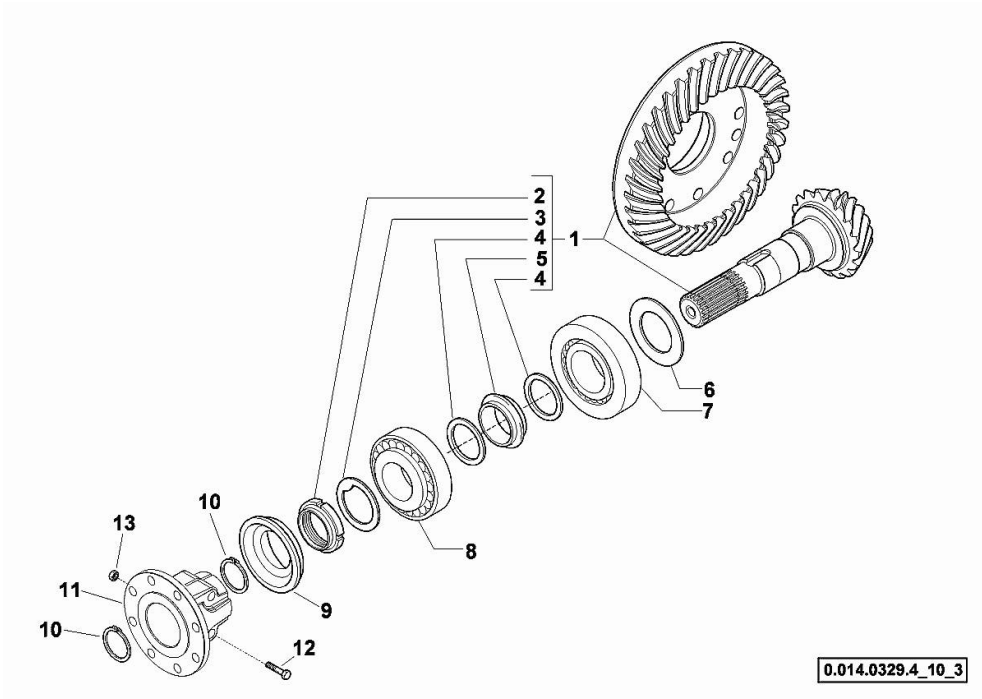


Fig.	P/n	QTY	Name
1	0.900.0542.4	2	grease gun m 6 p.1
2	0.900.0082.4	2	screw m 20 p.1.5
3	0.900.0502.3	1	shaft
4	0.900.0502.5	2	pin
5	0.900.0082.7	2	screw m 4 x 10
7	0.900.0865.2	1	cover
8	0.900.0082.9	16	screw m 14 x 35
9	0.900.0107.9	1	fork sx/lh/li
10	0.900.0083.1	2	nut m 14
11	0.900.0948.6	2	screw m 14
12	0.900.0083.3	2	nut m 20 p.1
13	0.900.0083.4	2	pin
14	0.900.0083.5	2	grease gun m 6 p.1, 45°
15	0.900.0107.1	1	fork dx/rh/re
16	0.900.0107.2	1	fork sx/lh/li
17	0.900.0107.3	1	stem
18	0.900.0107.4	1	gasket set
19	0.900.0083.9	2	oil seal 56x80x13/14,5
20	0.900.0107.5	1	fork dx/rh/re
21	0.900.0084.1	2	circlip
22	0.900.0084.2	2	bearing
23	0.900.0084.3	2	spacer
24	0.900.0107.6	2	rod
			COMPLETE ( 25, 26 & 27 )
25	0.900.0084.5	2	ball joint
26	0.900.0084.6	2	nut m 24x10
27	0.900.0107.7	2	rod
28	0.900.0105.9	6	screw m 20x80
29	0.900.0107.8	1	jack
30	0.900.0085.0	8	plug
31	0.900.0961.2	1	small block
32	0.900.0894.3	2	plug
33	0.900.0948.7	2	bush
34	0.900.0503.9	2	oil seal
35	0.900.1363.8	2	bushing

**BEVEL WHEEL GEAR - 641657**

Fig.	P/n	QTY	Name
1	0.900.0108.0	1	bevel drive Z = 14/37 COMPLETE ( 2, 3, 4 & 5 )
2	0.900.0085.5	1	ring nut m 40 p.1.5
3	0.900.0085.6	1	washer
4	0.900.0085.7	2	washer
5	0.900.0108.1	1	spacer
6	0.900.0108.2		shim 2.50
6	0.900.0108.3		shim 2.60
6	0.900.0108.4		shim 2.70
6	0.900.0108.5		shim 2.80
6	0.900.0108.6		shim 3.00
6	0.900.0108.7		shim 2.90
6	0.900.0108.8		shim 3.10
6	0.900.0108.9		shim 3.20
6	0.900.0109.0		shim 3.30
6	0.900.0109.1		shim 3.40
7	0.900.0109.2	1	bearing
8	0.900.0086.9	1	bearing
9	0.900.0087.0	1	oil seal 35x92/98x13/27
10	0.900.0087.1	2	circlip d = 35
11	0.900.0960.5	1	flange
12	0.900.0960.9	2	screw
13	0.900.0961.0	2	nut



0.014.0329.4\_10\_3

Section: F0 - FRONT AXLE  
**DIFFERENTIAL - 641657**

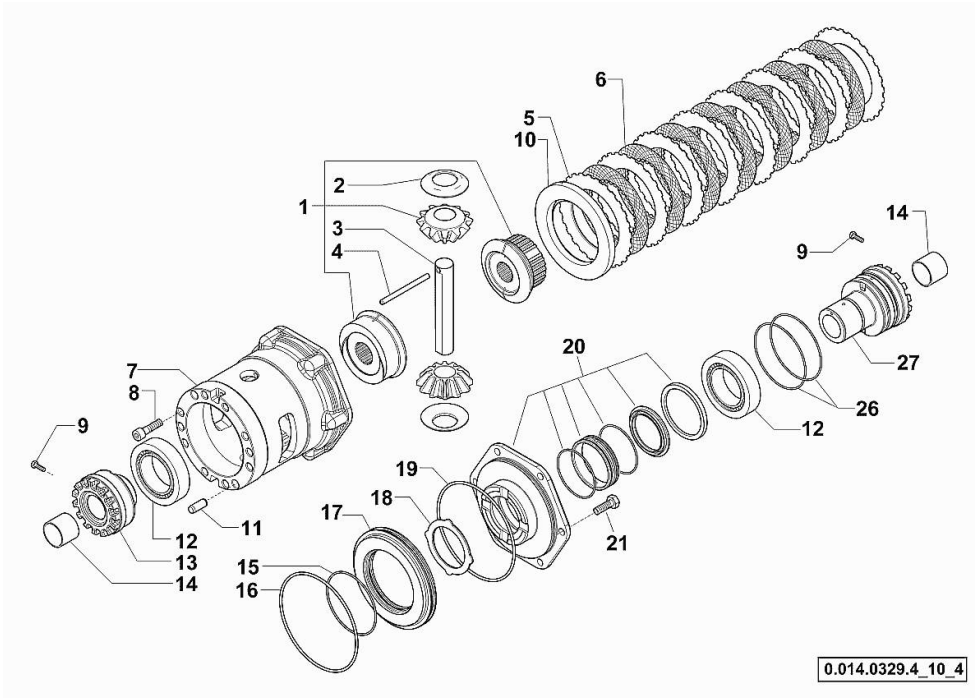
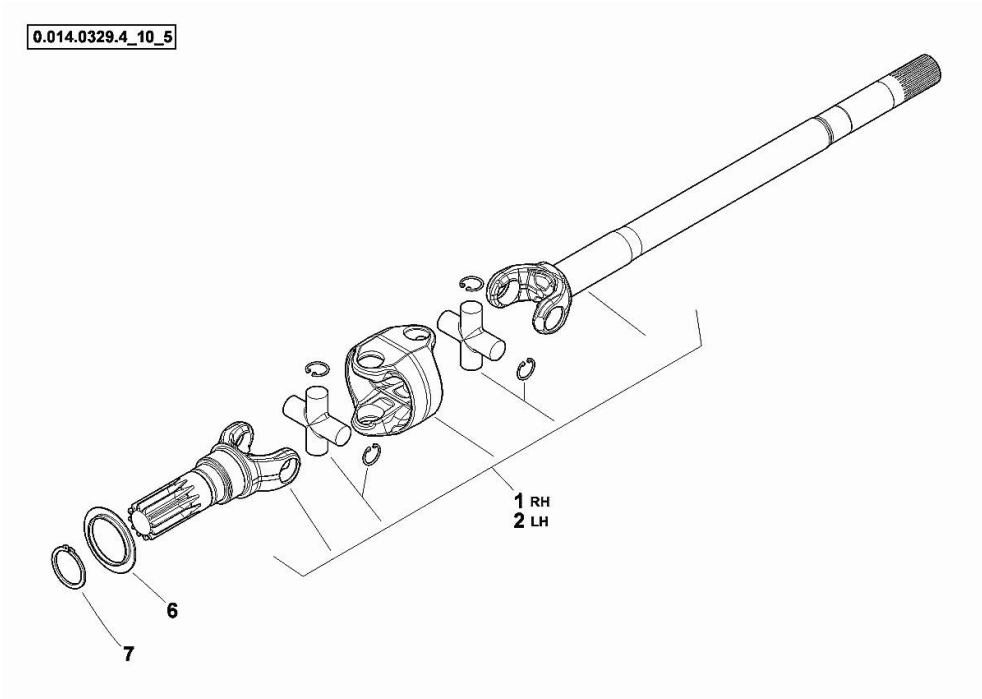


Fig.	P/n	QTY	Name
1	0.900.0109.4	1	gear COMPLETE ( 2, 3 & 4 )
2	0.900.0109.5	2	slewing ring
3	0.900.0109.6	1	pin
4	0.900.0109.7	1	pin Ø 6 x 86
5	0.900.0087.7	8	disc
6	0.900.0087.8	7	disc
7	0.900.0109.8	1	box
8	0.900.0088.0	10	screw m 12 x 35
9	0.900.0088.1	2	screw m 6 x 25
10	0.900.0090.0	1	disc
11	0.900.0088.3	2	pin Ø 12 x 28
12	0.900.0090.1	2	bearing
13	0.900.0109.9	1	ring nut m 94 p.1.5
14	0.900.0088.6	2	bushing
15	0.900.0088.7	1	oil seal
16	0.900.0088.8	1	oil seal
17	0.900.0088.9	1	piston
18	0.900.0089.0	1	disc
19	0.900.0089.1	1	oil seal
20	0.900.0952.0	1	cover - KIT
21	0.900.0089.3	6	screw m 10 x 35
26	0.900.0089.8	2	oil seal
27	0.900.0089.9	1	ring nut m 94 p.1.5

**DOUBLE COUPLING - 641657**

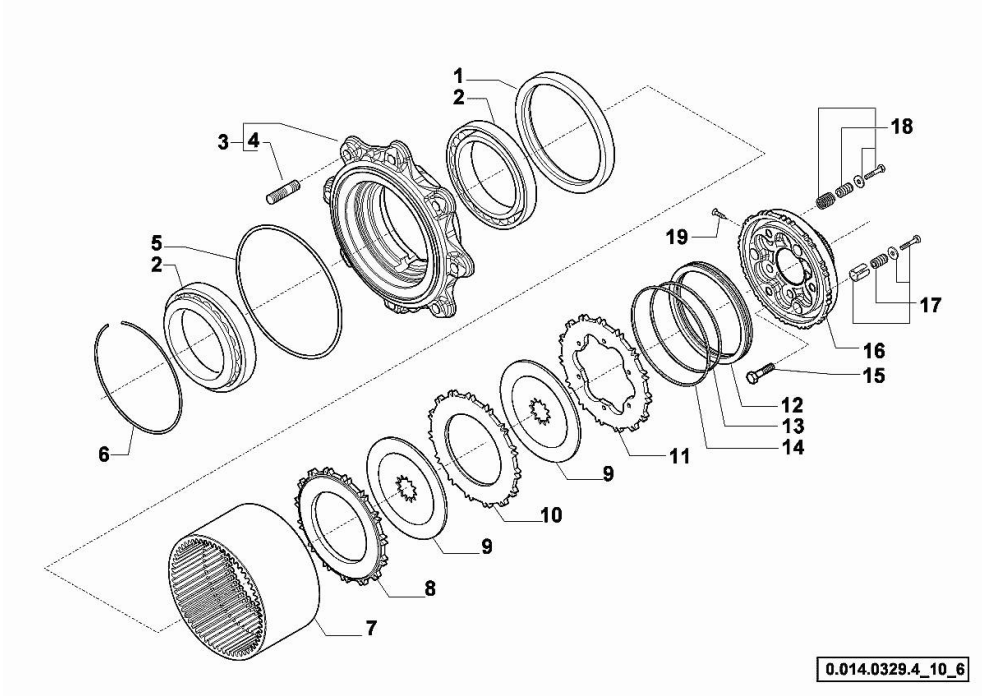
Fig.	P/n	QTY	Name
1	0.900.0961.4	1	joint dx/rh/re COMPLETE
2	0.900.0961.5	1	joint sx/lh/li COMPLETE
6	0.900.0090.9	2	cover
7	0.900.0091.0	2	circlip



Section: F0 - FRONT AXLE

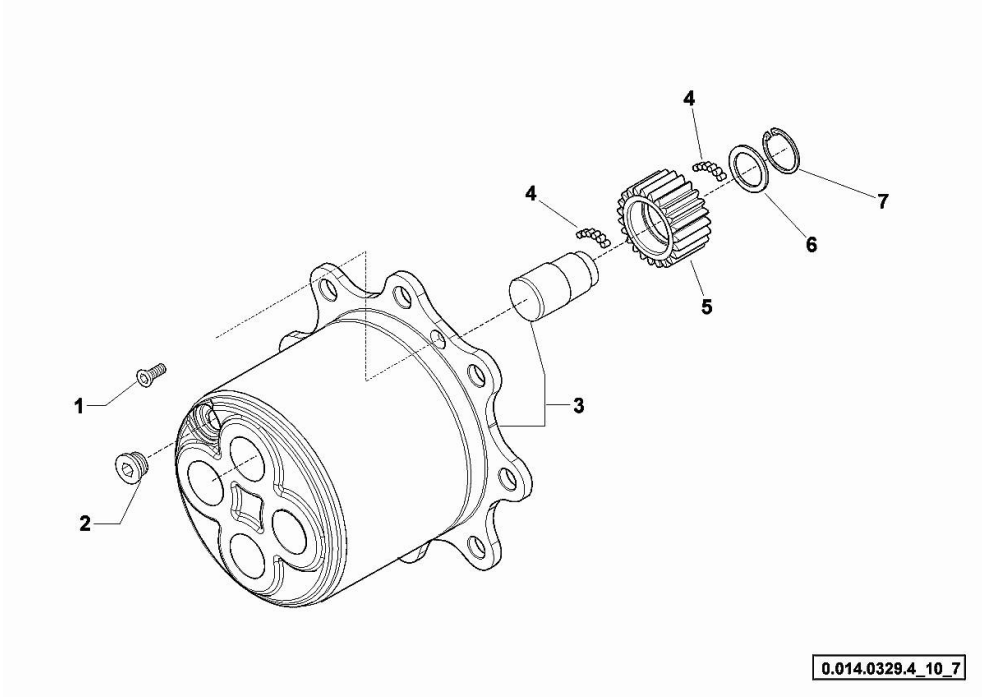
**WHEEL HUB - 641657**

Fig.	P/n	QTY	Name
1	0.900.0115.6	2	circlip 165x195x16,5/18
2	0.900.0115.7	4	bearing
3	0.900.0531.0	2	wheel hub COMPLETE ( 4 )
4	0.900.0091.4	16	stud bolt
5	0.900.0091.5	2	oil seal
6	0.900.0091.6	2	circlip
7	0.900.0115.9	2	crown wheel Z = 60
8	0.900.0116.0	2	clutch plate
9	0.900.0116.1	4	brake disc
10	0.900.0116.2	2	brake disc
11	0.900.0116.3	2	brake disc
12	0.900.0116.4	2	piston
13	0.900.0116.5	2	circlip
14	0.900.0116.6	2	circlip
15	0.900.0091.8	12	screw m 12 x 45
16	0.900.0116.7	2	hub
17	0.900.0116.8	2	screw - KIT
18	0.900.0116.9	2	screw - KIT
19	0.900.0117.0	4	rivet



**PLANETARY GEAR - 641657**

Fig.	P/n	QTY	Name
1	0.900.0092.0	4	screw m 8 p.1.25 x 20
2	0.900.0092.1	2	plug m 30 p.2
3	0.900.0961.6	2	spider - KIT
4	0.900.0117.2	45	roller
5	0.900.0117.3	8	gear Z = 23
6	0.900.0092.5	8	slewing ring
7	0.900.0092.6	8	circlip



**DRIVEN FRONT AXLE - 359578**

0.014.0329.4\_40\_0

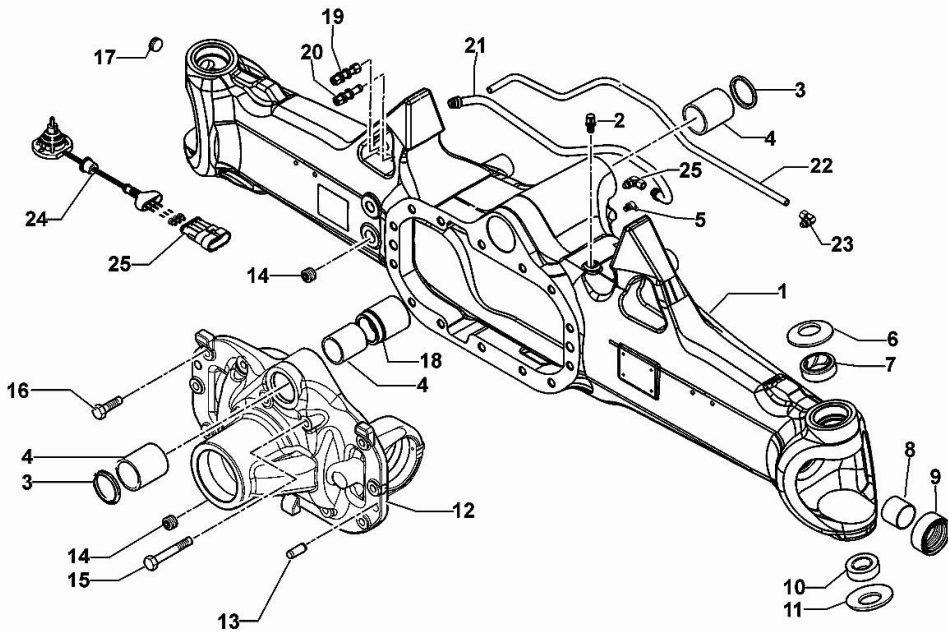


Fig.	P/n	QTY	Name
1	0.900.0965.1	1	front axle
2	0.900.0079.8	1	breather m 10 p.1
3	0.900.0079.9	2	circlip
4	0.900.0080.0	3	bushing
5	0.900.0080.1	1	grease gun m 8 p.1, 45°
6	0.900.0080.2	2	spring
7	0.900.0080.3	2	bushing
8	0.900.0080.4	2	bushing
9	0.900.0912.6	2	oil seal 40x65x27,5
10	0.900.0080.6	2	bearing
11	0.900.0080.7	2	spring
12	0.900.0960.4	1	support
13	0.900.0081.0	2	pin Ø 15x45
14	0.900.0081.1	2	plug m 24 p.1.5
15	0.900.0081.2	2	screw m 14x75
16	0.900.0081.3	12	screw m14 x 40
17	0.900.0081.6	1	plug m 26 p.1.5
18	0.900.0082.2	1	bushing
19	0.900.0081.7	1	pipe fitting
20	0.900.0081.8	1	pipe fitting
21	0.900.0965.2	1	tube
22	0.900.0965.3	1	tube
23	0.900.0107.0	1	pipe fitting
24	0.900.0504.8	1	sensor - KIT
25	0.900.0081.5	1	connector



**STEERING CYLINDER - 359578**

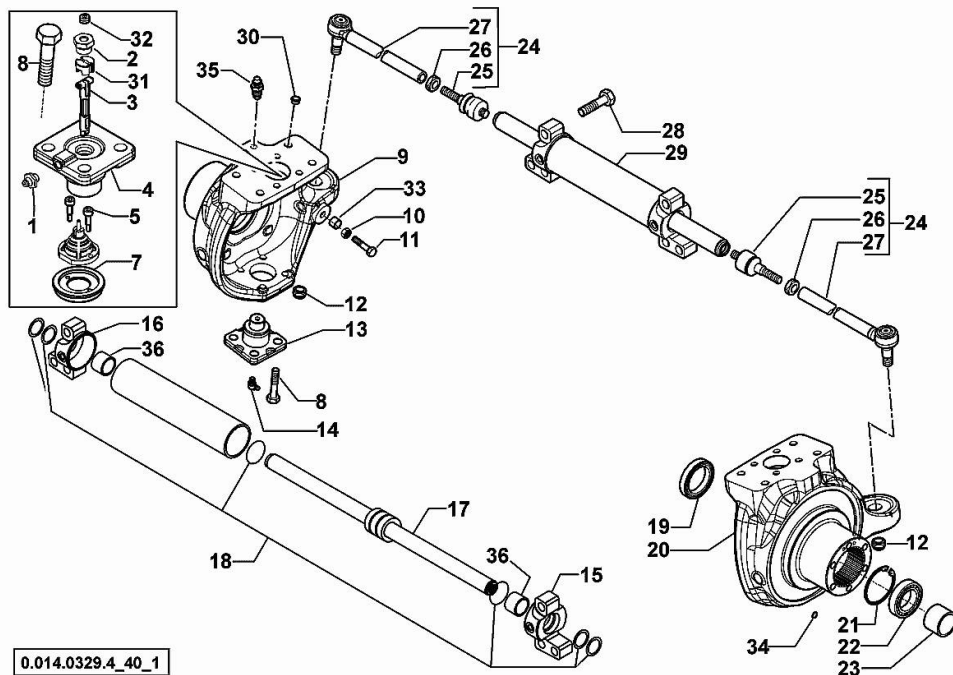
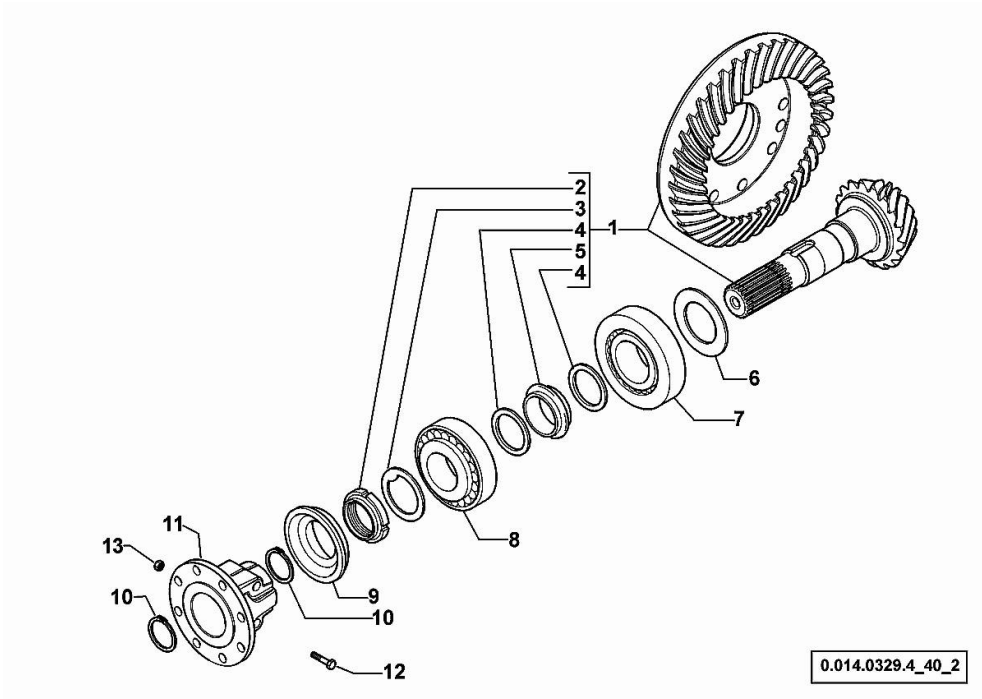


Fig.	P/n	QTY	Name
1	0.900.0542.4	2	grease gun m 6 p.1
2	0.900.0082.4	2	screw m 20 p.1.5
3	0.900.0502.3	1	shaft
4	0.900.0502.5	2	pin
5	0.900.0082.7	2	screw m 4 x 10
7	0.900.0865.2	1	cover
8	0.900.0082.9	16	screw m 14 x 35
9	0.900.0111.8	1	fork sx/lh/li
10	0.900.0083.1	2	nut m 14
11	0.900.0948.6	2	screw m 14
12	0.900.0083.3	2	nut m 20 p.1
13	0.900.0083.4	2	pin
14	0.900.0083.5	2	grease gun m 6 p.1, 45°
15	0.900.0107.1	1	fork dx/rh/re
16	0.900.0107.2	1	fork sx/lh/li
17	0.900.0107.3	1	stem
18	0.900.0107.4	1	gasket set
19	0.900.0083.9	2	oil seal 56x80x13/14,5
20	0.900.0111.9	1	fork dx/rh/re
21	0.900.0112.0	2	circlip
22	0.900.0112.1	2	bearing
23	0.900.0112.2	2	spacer
24	0.900.0107.6	2	rod
			COMPLETE ( 25, 26 & 27 )
25	0.900.0084.5	2	ball joint
26	0.900.0084.6	2	nut m 24x10
27	0.900.0107.7	2	rod
28	0.900.0105.9	6	screw m 20x80
29	0.900.0107.8	1	jack
30	0.900.0085.0	8	plug
31	0.900.0961.2	1	small block
32	0.900.0894.3	2	plug
33	0.900.0948.7	2	bush
34	0.900.0503.9	2	oil seal
35	0.900.0112.6	2	breather m10 p.1
36	0.900.1363.8	2	bushing

**BEVEL WHEEL GEAR - 359578**

Fig.	P/n	QTY	Name
1	0.900.0108.0	1	bevel drive Z = 14/37 COMPLETE ( 2, 3, 4 & 5 )
2	0.900.0085.5	1	ring nut m 40 p.1.5
3	0.900.0085.6	1	washer
4	0.900.0085.7	2	washer
5	0.900.0108.1	1	spacer
6	0.900.0108.2		shim 2.50
6	0.900.0108.3		shim 2.60
6	0.900.0108.4		shim 2.70
6	0.900.0108.5		shim 2.80
6	0.900.0108.6		shim 3.00
6	0.900.0108.7		shim 2.90
6	0.900.0108.8		shim 3.10
6	0.900.0108.9		shim 3.20
6	0.900.0109.0		shim 3.30
6	0.900.0109.1		shim 3.40
7	0.900.0109.2	1	bearing
8	0.900.0086.9	1	bearing
9	0.900.0087.0	1	oil seal 35x92/98x13/27
10	0.900.0087.1	2	circlip d = 35
11	0.900.0960.5	1	flange
12	0.900.0960.9	2	screw
13	0.900.0961.0	2	nut



Section: F0 - FRONT AXLE  
**DIFFERENTIAL - 359578**

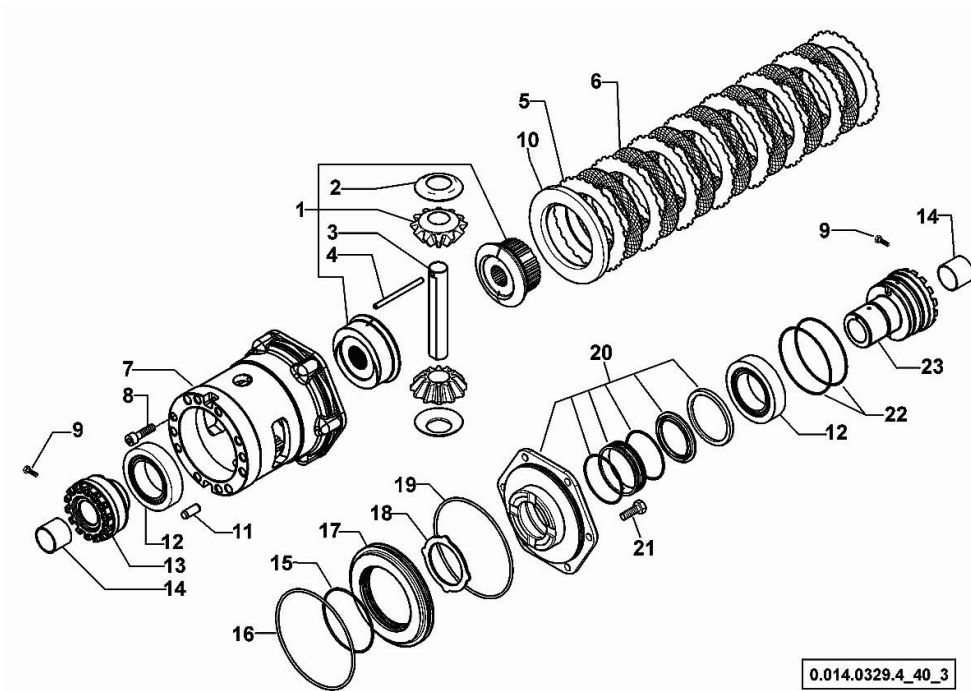


Fig.	P/n	QTY	Name
1	0.900.0109.4	1	gear COMPLETE ( 2, 3 & 4 )
2	0.900.0109.5	2	slewing ring
3	0.900.0109.6	1	pin
4	0.900.0109.7	1	pin Ø 6 x 86
5	0.900.0087.7	8	disc
6	0.900.0087.8	7	disc
7	0.900.0109.8	1	box
8	0.900.0088.0	10	screw m 12 x 35
9	0.900.0088.1	2	screw m 6 x 25
10	0.900.0090.0	1	disc
11	0.900.0088.3	2	pin Ø 12 x 28
12	0.900.0090.1	2	bearing
13	0.900.0109.9	1	ring nut m 94 p.1.5
14	0.900.0088.6	2	bushing
15	0.900.0088.7	1	oil seal
16	0.900.0088.8	1	oil seal
17	0.900.0088.9	1	piston
18	0.900.0089.0	1	disc
19	0.900.0089.1	1	oil seal
20	0.900.0952.0	1	cover - KIT
21	0.900.0089.3	6	screw m 10 x 35
22	0.900.0089.8	2	oil seal
23	0.900.0089.9	1	ring nut m 94 p.1.5

Thank you so much for reading.  
Please click the “Buy Now!”  
button below to download the  
complete manual.



After you pay.

You can download the most  
perfect and complete manual in  
the world immediately.

Our support email:

[ebooklibonline@outlook.com](mailto:ebooklibonline@outlook.com)