

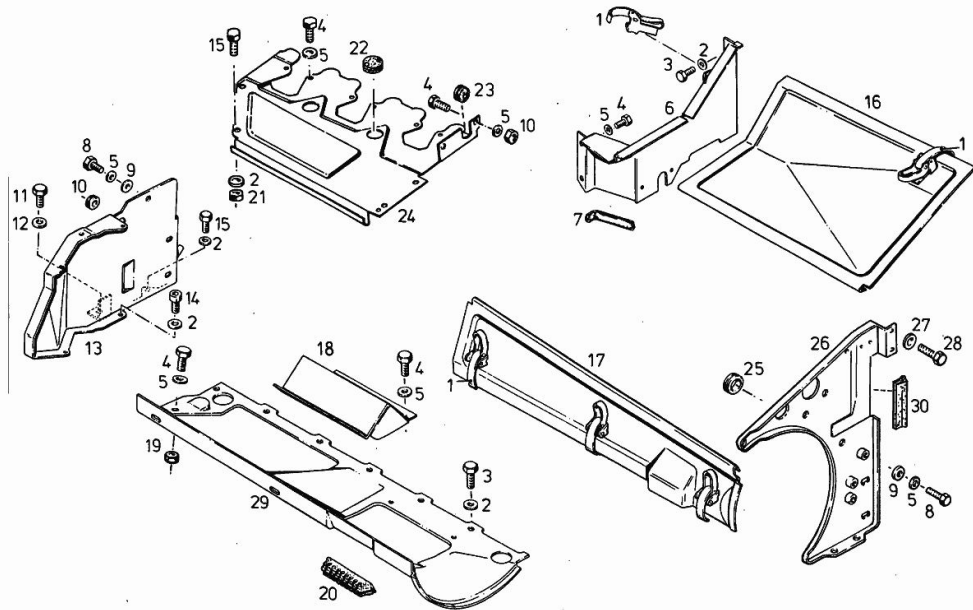
MOTOR ABGASSAMMELROHR 0262 <-

Fig.	P/n	QTY	Name
------	-----	-----	------

Notes:

[M 36.30]

1	02134045	1	exhaust pipe
2	02238548	1	exhaust pipe
3	01162449	2	ring
4	03371689	6	gasket
5	01177087	12	stud bolt
6	02411054	12	nut
7	01107101	12	washer 8.4
8	01125788	1	plug

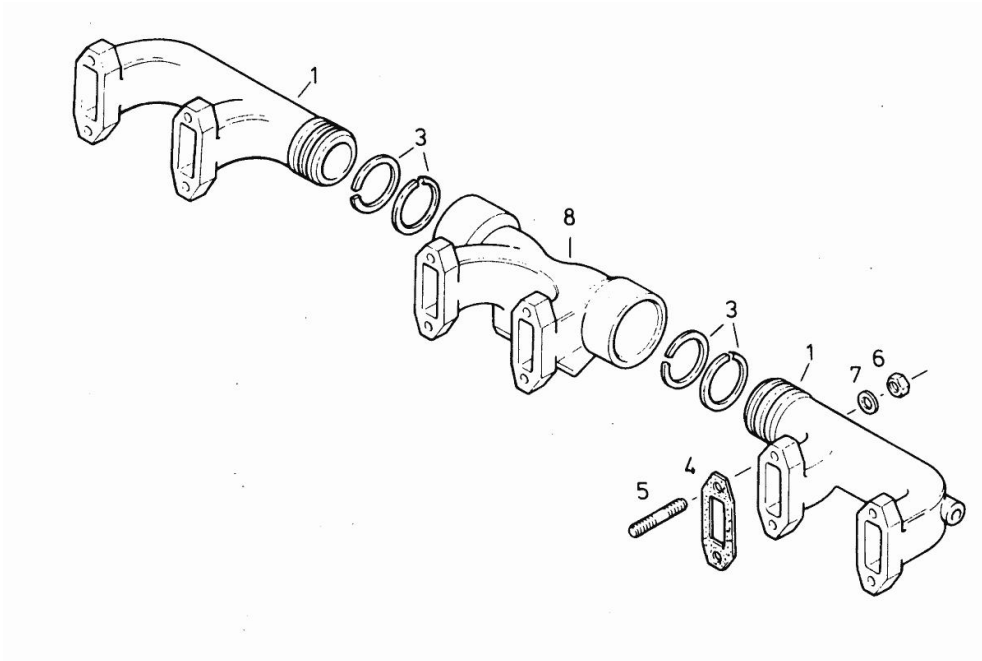


MOTOR ABGASROHR -> 0263

Fig.	P/n	QTY	Name
------	-----	-----	------

Notes:
[M 36.30]

1	02137836	2	exhaust pipe
2	01162449	4	ring
3	03371689	6	gasket
4	01177087	12	stud bolt
5	01177087	12	stud bolt
6	02411054	12	nut
7	01107101	12	washer 8.4
8	01125788	1	plug



MOTOR ABGASTURBOLADER 0262 <-

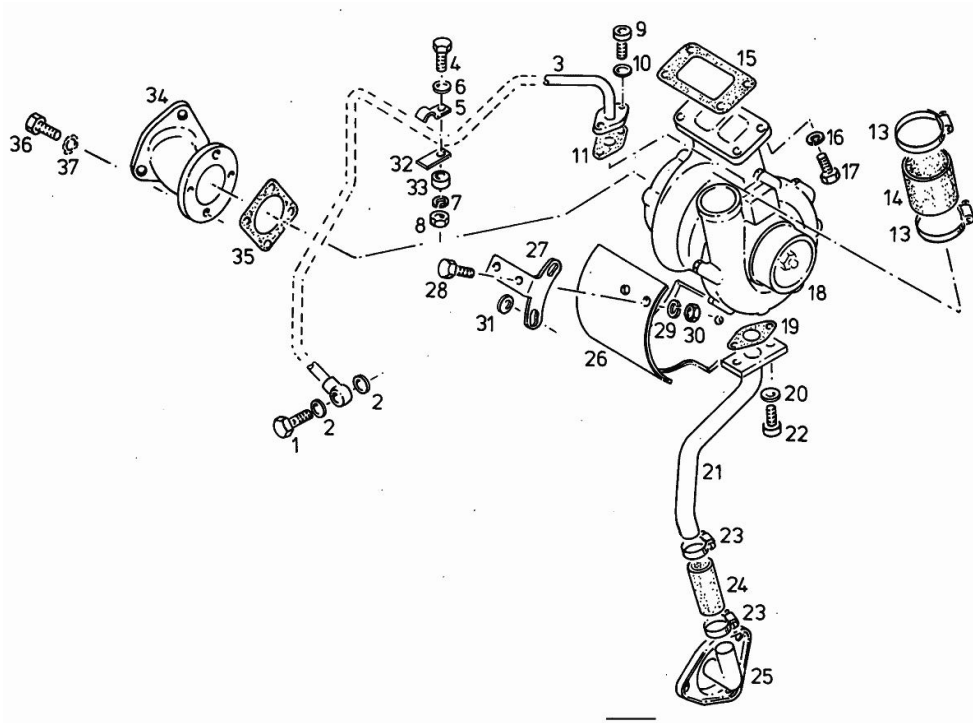


Fig.	P/n	QTY	Name
------	-----	-----	------

Notes:
[M 36.30]

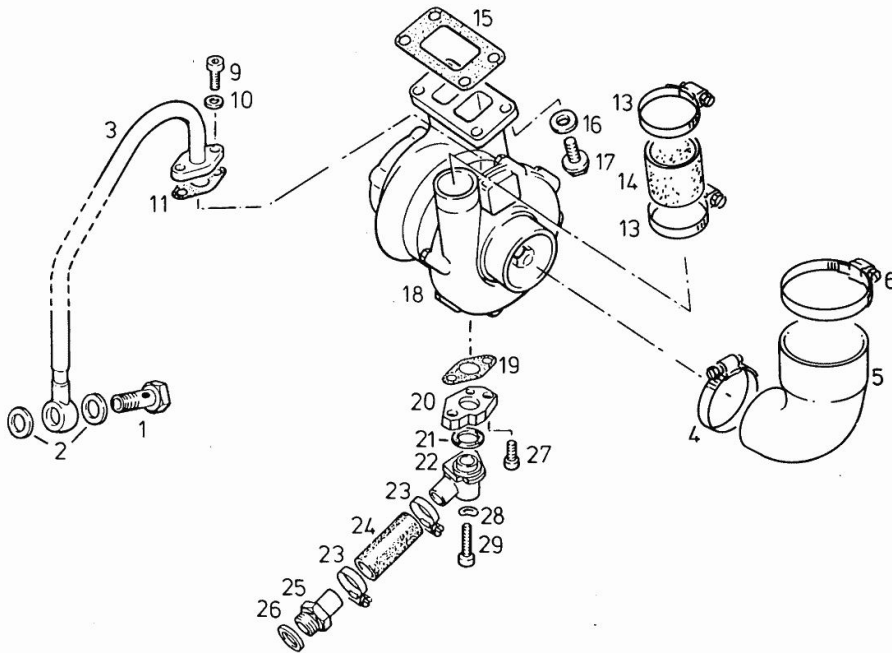
1	02235715	1	screw
2	01118707	2	ring 16
3	04153063	1	support
4	01103316	2	screw m 6 p.1.0 x 16
5	01216697	2	terminal
6	01215850	2	washer
7	01102797	2	washer 6, d128
8	01112813	2	nut m 6
9	01126918	2	screw m 8 p.1.25 x 20
10	01119611	2	ring
11	02134266	1	gasket
13	01173971	2	fascia Ø 40/60
14	01175634	1	sleeve 51x58x60
15	02137909	1	gasket
16	01107550	4	washer
17	03470246	4	screw
18	04152805	1	turbo charger ☞ 4A.00.20000
19	04153159	1	gasket
20	01107548	2	washer 8.4
21	04151742	1	tube
22	01110577	2	screw m 8 x 25
23	01173962	2	clamp Ø 20/32
24	01175630	1	sleeve 22x29x71
25	02233056	1	cover
26	04151774	1	division
27	02232033	2	square
28	01103316	4	screw m 6 p.1.0 x 16
29	01102797	4	washer 6, d128
30	01112813	4	nut m 6
31	01107095	4	washer 6.4
32	02239471	2	plate
33	01215850	2	washer
34	02231138	1	exhaust manifold
35	02231127	1	gasket
36	03470246	4	screw
37	01117867	4	washer 10.2

MOTOR ABGASTURBOLADER -> 0263

Fig.	P/n	QTY	Name
------	-----	-----	------

Notes:
[M 36.30]

1	01119241	1	pipe union m 12 p.1.5
2	01118673	2	oil seal
3	04153848	1	tube
4	01173940	1	clamp Ø 70/90
5	04154008	1	pipe fitting
6	01173964	1	fascia
9	01110577	2	screw m 8 x 25
10	01107548	2	washer 8.4
11	02134266	1	gasket
13	01173971	2	fascia Ø 40/60
14	01175634	1	sleeve 51x58x60
15	02137909	1	gasket
16	01107550	4	washer
17	03470246	4	screw
18	04153763	1	turbo charger
19	02134209	1	gasket
20	04151182	1	flange
21	01174050	1	oil seal
22	04153003	1	vent
23	01173962	2	clamp Ø 20/32
24	01177121	1	rubber tube 22X29X125
25	02235163	1	pipe fitting
26	01118760	1	gasket 26x31
27	01102194	2	screw
28	01107283	1	washer 8.2
29	01123699	1	screw m 8 x 30

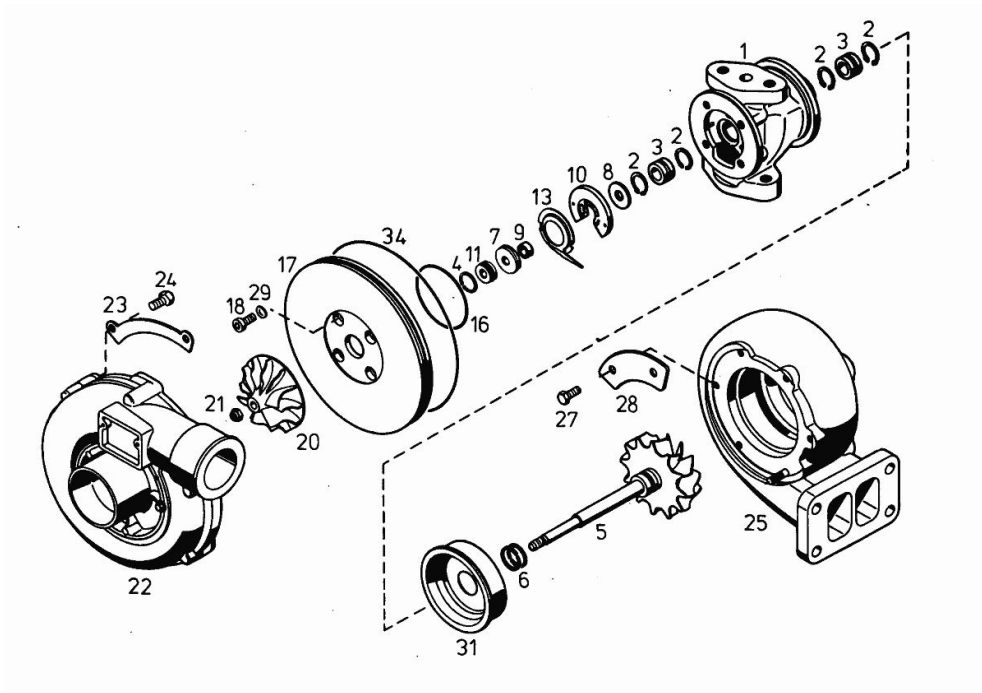


MOTOR / EINZELTEILE ZUM TURBOLADER 0262 <-

Fig.	P/n	QTY	Name
------	-----	-----	------

Notes:
[M 36.30]

1	01309594	1	box
2	01309596	4	circlip
3	01320436	2	bushing
4	01320524	1	piston ring
5	01320527	1	impeller
6	01320525	2	piston ring
7	01320530	1	oil
8	01309446	1	bearing
9	01309448	1	bushing
10	01320437	1	thrust bearing
11	01320528	1	bush
13	01309600	1	oil
16	04009972	1	oil seal
17	01320529	1	rear panel
18	01309602	4	screw
20	01309452	1	rotor
21	01320445	1	nut
22	01320450	1	compressor
23	01306465	4	locking segment
24	01320462	8	screw
25	01320526	1	box
27	01306468	6	-
28	01320075	3	locking segment
29	01309591	4	washer
31	01320443	1	screen
34	01308094	1	oil seal

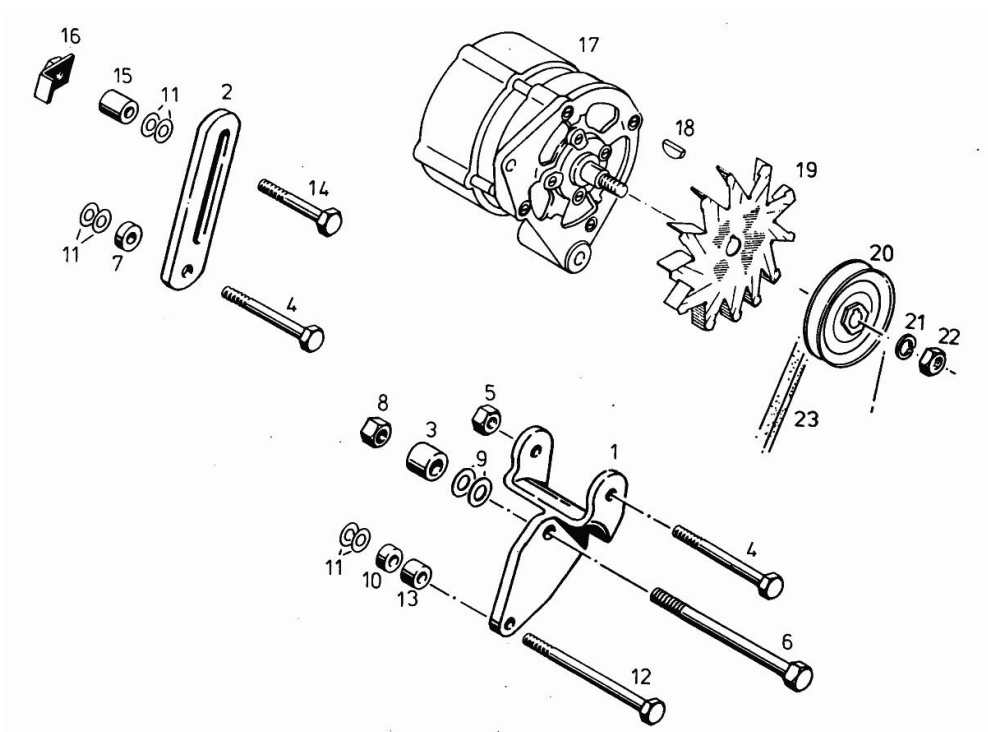


MOTOR LICHTMASCHINE 0262 <-

Fig.	P/n	QTY	Name
------	-----	-----	------

Notes:
[M 36.30]

1	02237668	1	console
2	02241219	1	link
3	03362211	1	bushing
4	01111193	2	screw m 8 p.1.25 x 80
5	01112824	1	nut m 8, d934
6	01111378	1	screw m10x140 d931
7	03363948	1	washer
8	01102659	1	nut m 10, d934
9	01215749	1	washer
10	03360758	1	spacer
11	01215748	1	washer
12	01103735	1	screw m 8 x 115
13	03363990	1	bushing
14	01111153	1	screw m 8 x 45
15	03363972	1	bushing
16	02164969	1	nut
17	01172857	1	dynamo
18	01118325	1	key
19	01162876	1	fan
20	01172377	1	pulley
21	01102802	1	washer 14.2
22	01133976	1	pin m14x1,5 d936
23	02235180	1	small belt av10x1150la



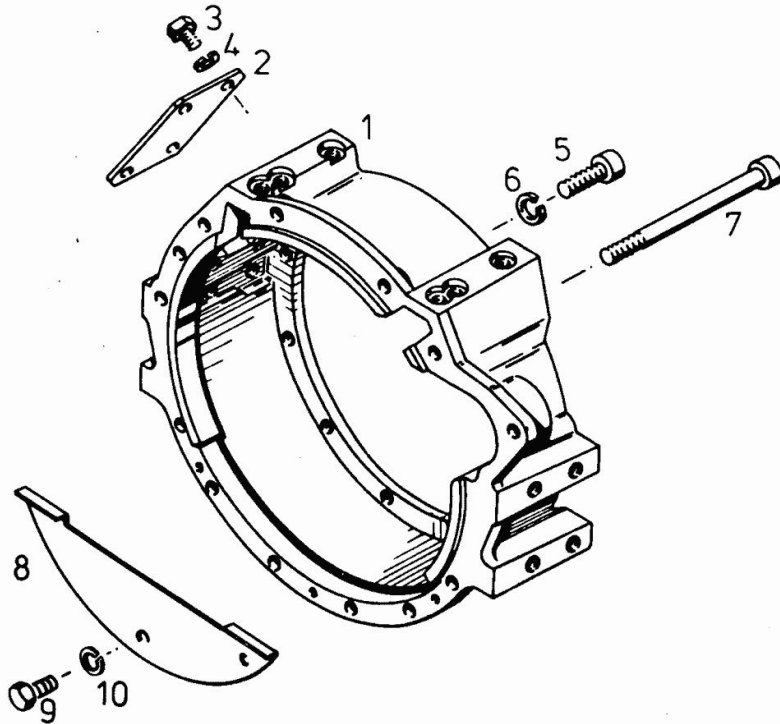
Section: ENGINE

ENGINE STARTER MOTOR

Fig.	P/n	QTY	Name
------	-----	-----	------

Notes:
[M 36.30]

1	01102800	3	washer 10.2
4	01163758	1	starter
			☞ 4A.00.20000
5	01112418	3	screw m 10 x 25, d933

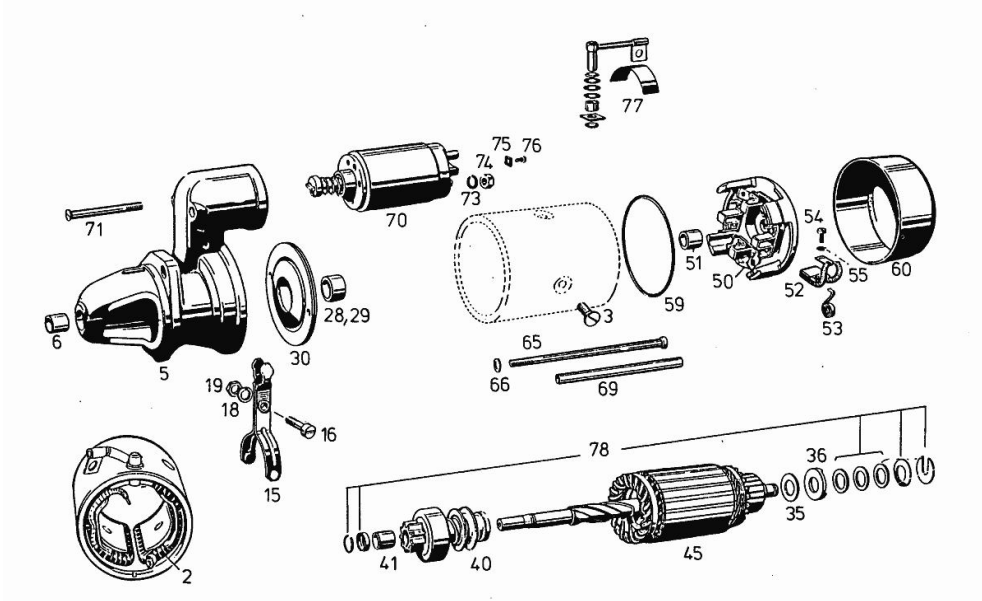


ENGINE SINGLE PARTS FOR STARTER MOTOR

Fig.	P/n	QTY	Name
------	-----	-----	------

Notes:
[M 36.30]

2	01307769	1	winding
3	01290713	8	screw
5	02985121	1	bearing
6	01289961	1	bushing
15	01307218	1	gear lever
16	02985110	1	screw
18	01102799	1	washer 8, d128
19	01126748	1	nut bm8 d439
28	01307038		bushing
29	01289968		pin
30	02985122	1	special bearing
35	02985126	1	brake disc
36	02985125	1	brake disc
40	01304845	1	pinion
41	01307965	2	bushing
45	01304450	1	armature
50	01307998	1	bearing
51	01307663	1	bush
52	01307082		brush set
53	01299240	4	spring
54	01123600	4	screw
55	01102796	4	ring 5
59	01289947	1	oil seal
60	02985130	1	pin
65	02985131	2	screw
66	02985060	2	washer
69	02985132	2	-
70	01304451	1	relay
71	01320454	3	screw
73	01102800	2	washer 10.2
74	01107602	2	nut
75	02985062	1	bracket
76	01105501	1	screw m 4 x 6
77	02985136	1	spare parts kit
78	02985136	1	spare parts kit



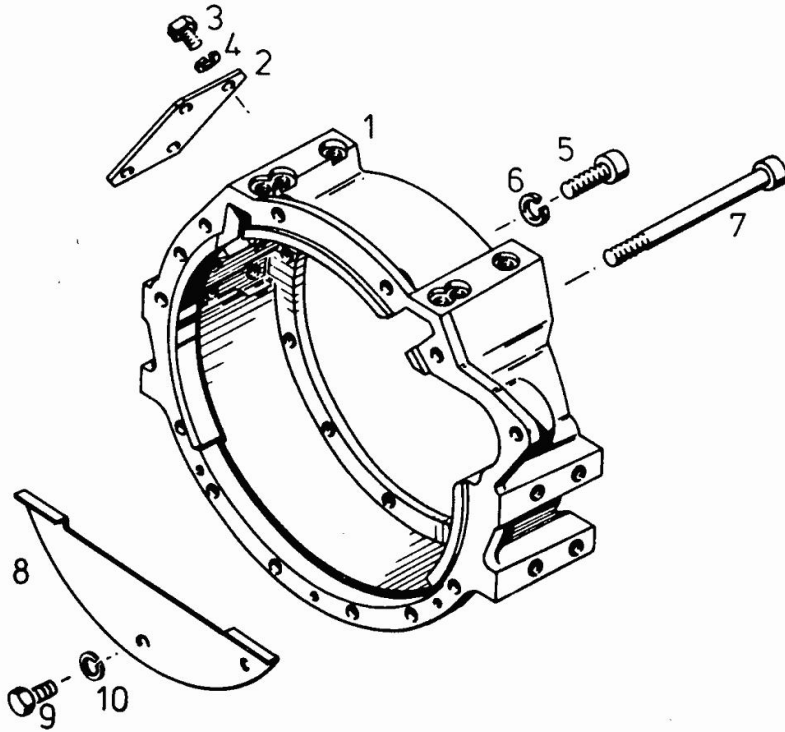
MOTOR ANSCHLUSSGEAHEUSE

Fig.	P/n	QTY	Name
------	-----	-----	------

Notes:

[M 36.30]

1	02102308	1	box
2	02102313	1	cover
3	01112295	4	screw m 8 x 10
4	01102799	4	washer 8, d128
5	01110664	11	screw m 10 x 30
6	01119613	11	washer 10.5
7	01110725	3	screw
8	03364077	1	plate
9	01112232	3	screw m 6 p.1 x 10
10	01102797	3	washer 6, d128



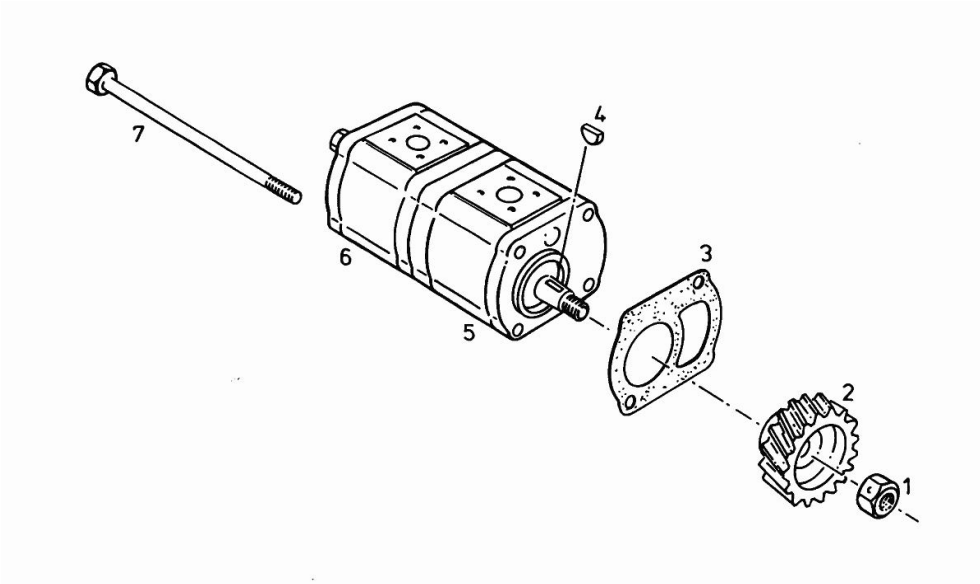
ENGINE HYDRAULIC PUMP

Fig.	P/n	QTY	Name
------	-----	-----	------

Notes:

[M 36.30]

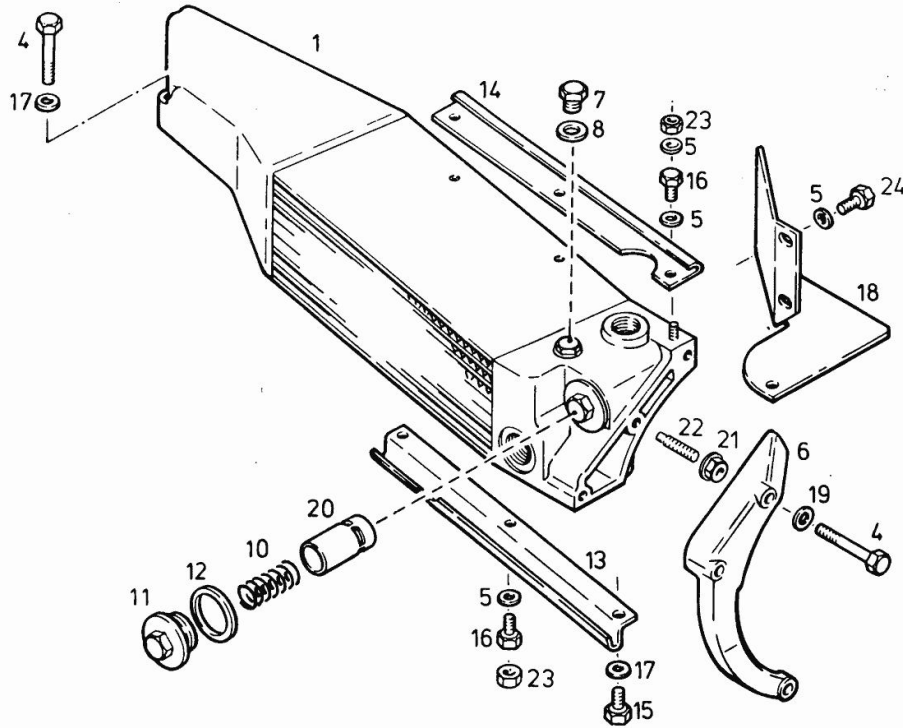
1	01262635	1	nut
2	02235058	1	gear
3	02239230	1	gasket
4	01118324	1	key
5	06529508	1	hydraulic pump 14 cc
6	06261693	1	hydraulic pump 8 cc
7	06209195	2	screw m10x190 d931



MOTOR HYDRAULIKOELKUEHLER -> 0263

Fig.	P/n	QTY	Name
------	-----	-----	------

Notes:
[M 36.30]



1	04153684	1	oil cooler G 1,7,8,10-12,20 ☞ 4D.00.20000
4	01111162	5	screw
5	01107095	7	washer 6.4
6	04153719	1	console
7	01100940	1	screw Y 7 245 412 <-
7	01133632	1	screw -> Y 7 245 413
8	01118688	1	ring 14x17 Y 7 245 412 <-
8	01118693	1	gasket 14x20 -> Y 7 245 413
9	02233215	1	repair set -> Y 7 245 413
10	02233217	1	spring
11	02230921	1	screw
12	01118835	1	ring
13	04150867	1	support
14	04154053	1	fan
15	01112299	1	screw m 8 x 12, d933
16	01112240	5	screw m 6 x 12 Y 7 245 412 <-
17	01107101	3	washer 8.4
18	04151044	1	plate
19	02234263	3	washer
20	04152879	1	none Y 7 245 412 <-
21	01172481	1	nut m8 h2160 -> Y 7 245 413
22	01107456	1	pin -> Y 7 245 413
23	01112813	5	nut m 6 -> Y 7 245 413
24	01112240	2	screw m 6 x 12

Thank you so much for reading.
Please click the “Buy Now!”
button below to download the
complete manual.



After you pay.

You can download the most
perfect and complete manual in
the world immediately.

Our support email:

ebooklibonline@outlook.com