

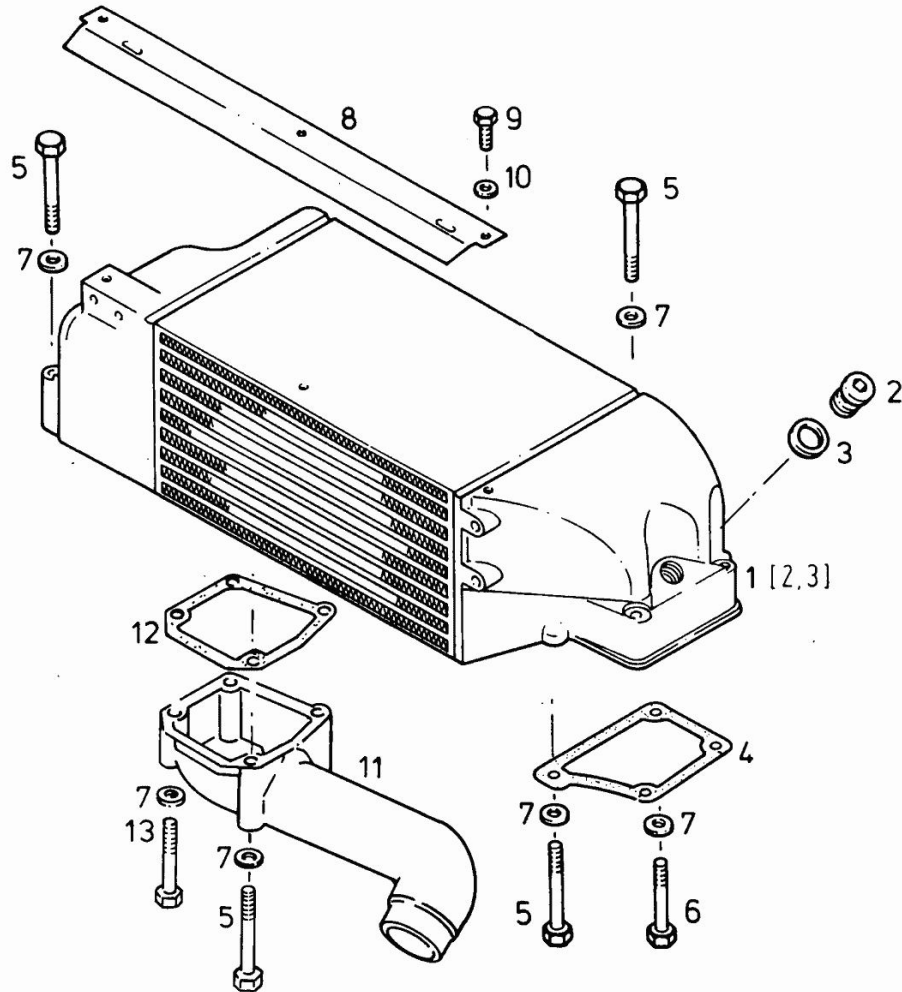
MOTOR LADELUFTKUEHLER NUR FUER 141KW/192 PS

Fig.	P/n	QTY	Name
------	-----	-----	------

Notes:

[M 36.30 AB 3349]

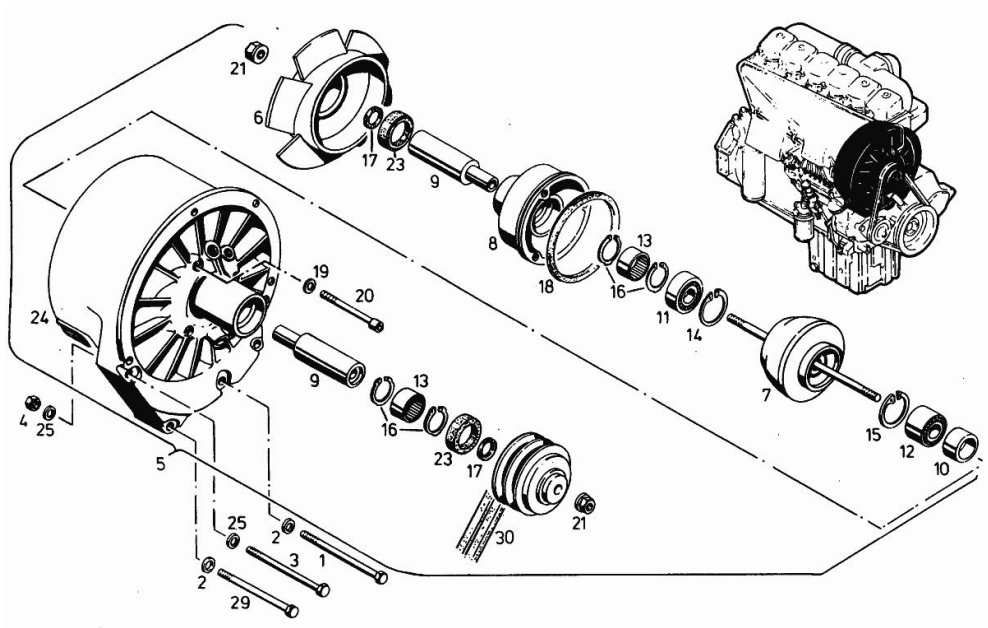
1	04153659	1	intercooler
2	01125788	1	plug
3	01118726	1	oil seal
4	04150971	1	gasket
5	01111179	7	screw m 8 x 70, d931
6	01111153	1	screw m 8 x 45
7	01107101	10	washer 8.4
8	04151036	1	screw
9	01112240	3	screw m 6 x 12
10	01107095	3	washer 6.4
11	04153654	1	manifold
12	04150976	1	gasket
13	01111158	2	screw m 8 p.1.25 x 50



MOTOR HYDR.KUEHLGEBLAESE NUR FUER 141KW/192 PS

Fig.	P/n	QTY	Name
------	-----	-----	------

Notes:
[M 36.30 AB 3349]



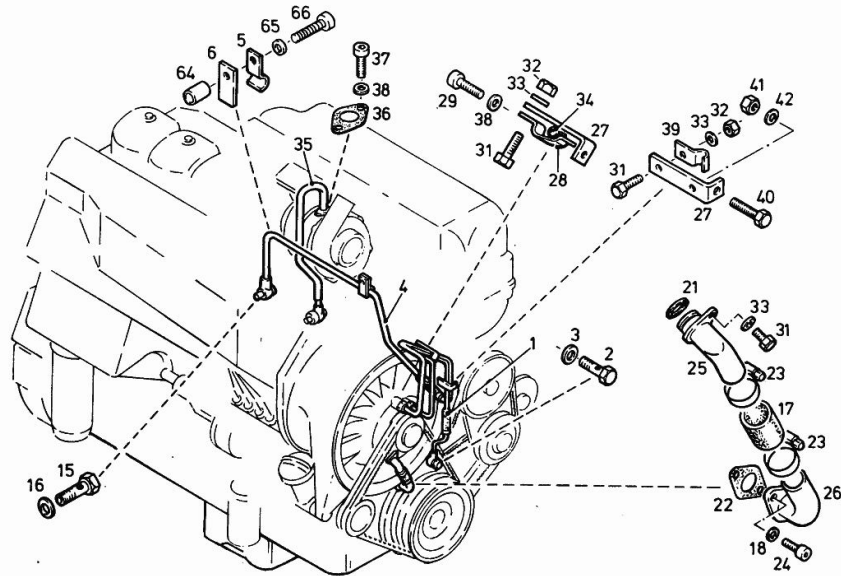
0	01091325	1	adhesive
1	01111221	4	screw
2	01107101	6	washer 8.4
3	04150410	2	-
4	01112824	1	nut m 8, d934
5	04150421	1	air duct
6	04150397	1	fan
7	04151103	1	coupling
8	02235680	1	cover
9	02235681	2	shaft
10	02235682	1	spacer
11	01138388	1	ball bearing
12	01173588	1	ball bearing
13	01173591	2	bearing
14	01107834	1	circlip 47 x 1.75
15	01107827	1	circlip 40 x 1.75
16	01163307	4	circlip
17	01173592	2	oil seal
18	01164843	1	oil seal
19	01173593	3	oil seal
20	01103280	3	shim
21	01172482	3	nut
22	04150416	1	pulley
23	02237010	2	gasket
24	04150422	1	ventilator body
25	01167010	1	washer
29	01122445	1	screw
30	02235177	1	belt 2x 10x1400 mm

MOTOR ROHRLEITUNGEN NUR FUER 141KW/192PS

Fig.	P/n	QTY	Name
------	-----	-----	------

Notes:

[M 36.30 AB 3349]



1	04150724	1	tube
2	01119237	1	pipe union
3	01118669	1	ring
4	04153577	1	tube
5	02237006	1	fascia
6	02234890	2	plate
15	01119241	1	pipe union m 12 p.1.5
16	01118673	4	oil seal
17	01175628	1	rubber sleeve ☞ 4A.00.20000
18	01216121	2	washer
21	01171586	1	oil seal
22	01101796	1	gasket ☞ 4A.00.20000
23	01173962	2	clamp Ø 20/32 ☞ 4A.00.20000
24	01109195	2	-
25	04150847	1	tube
26	04153420	1	piping ☞ 4A.00.20000
27	04151405	2	bracket
28	02236060	1	fascia
29	01126918	1	screw m 8 p.1.25 x 20
31	01103316	4	screw m 6 p.1.0 x 16
32	01112813	3	nut m 6
33	01107095	4	washer 6.4
34	01216311	1	rubber sleeve
35	04153848	1	tube ☞ 4A.00.20000
36	02134266	1	gasket
37	01110577	2	screw m 8 x 25
38	01107548	3	washer 8.4
39	01168142	1	fascia
40	01112350	1	screw m 8 x 35
41	01112824	1	nut m 8, d934
42	01107101	1	washer 8.4
64	02233587	2	spacer
65	01107550	2	washer
66	01110658	2	screw

MOTOR LUFTUEHRUNG NUR FUER 141KW/192 PS

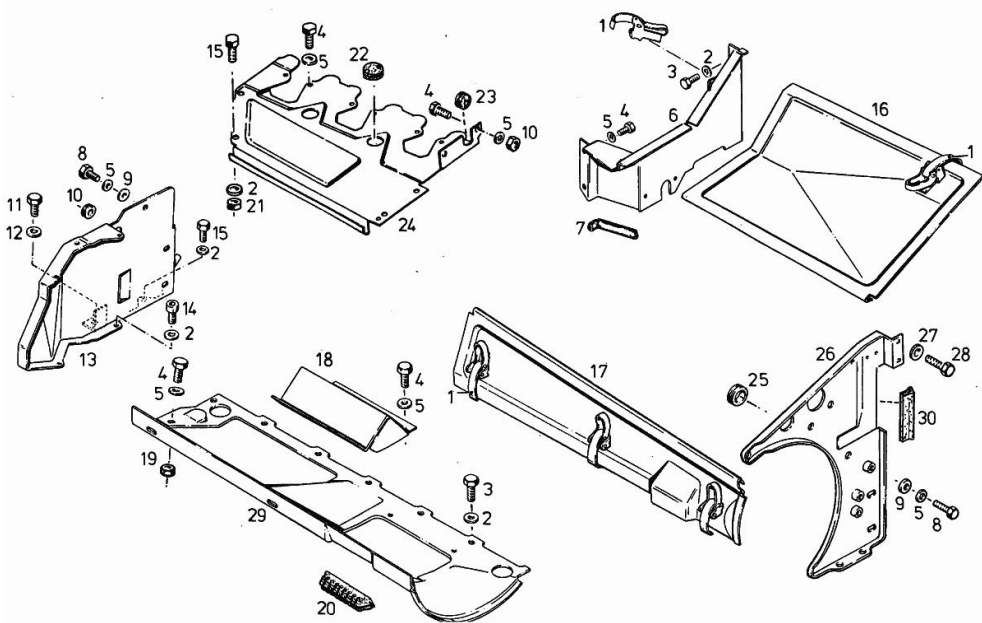


Fig.	P/n	QTY	Name
Notes:			
[M 36.30 AB 3349]			
1	01212482	5	plug
2	01107101	10	washer 8.4
3	01112307	6	screw m 8 p.1.25 x 15, d933
4	01112240	20	screw m 6 x 12
5	01107095	17	washer 6.4
6	04150812	1	plate G 6,1
7	01401812	1	copper gasket PN1X85
8	01103316	2	screw m 6 p.1.0 x 16
9	01215850	2	washer
10	01167425	1	rubber bushing
11	01126186	1	screw m 10 x 16
12	01140501	1	washer 10.5
13	04151531	1	plate
14	01102193	1	screw m 8 x 16
15	01112299	3	screw m 8 x 12, d933
16	04153920	1	cover
17	04150803	1	none
18	04150786	1	cover
19	01112813	1	nut m 6
20	02101802	1	rubber
21	01112824	2	nut m 8, d934
22	03361809	2	rubber bushing
23	01160592	1	rubber bushing
24	04150817	1	none
25	01167428	1	rubber bushing
26	04153650	1	plate
27	02234263	2	washer
28	01112311	2	screw m 8 x 18
29	04154228	1	air duct hood
30	01404426	1	copper gasket

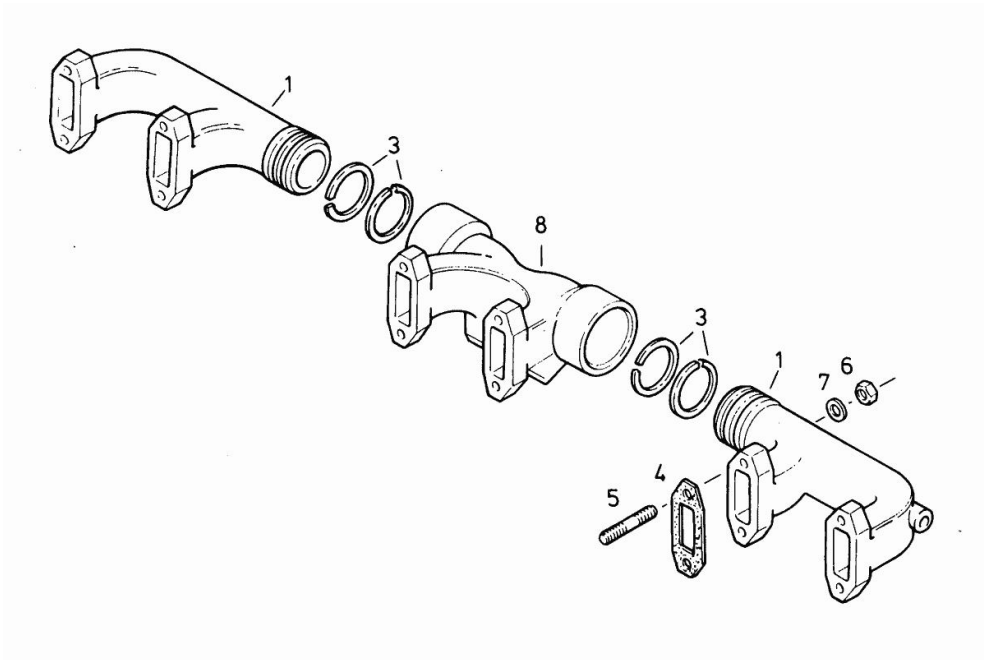
MOTOR ABGASROHR NUR FUER 141KW/192 PS

Fig.	P/n	QTY	Name
------	-----	-----	------

Notes:

[M 36.30 AB 3349]

1	02137836	2	exhaust pipe
3	01162449	4	ring
4	03371689	6	gasket
5	01177087	12	stud bolt
6	02411054	12	nut
7	01107101	12	washer 8.4
8	01125788	1	plug
8	04153639	12	exhaust pipe



MOTOR ABGASTURBOLADER NUR FUER 141KW/192 PS

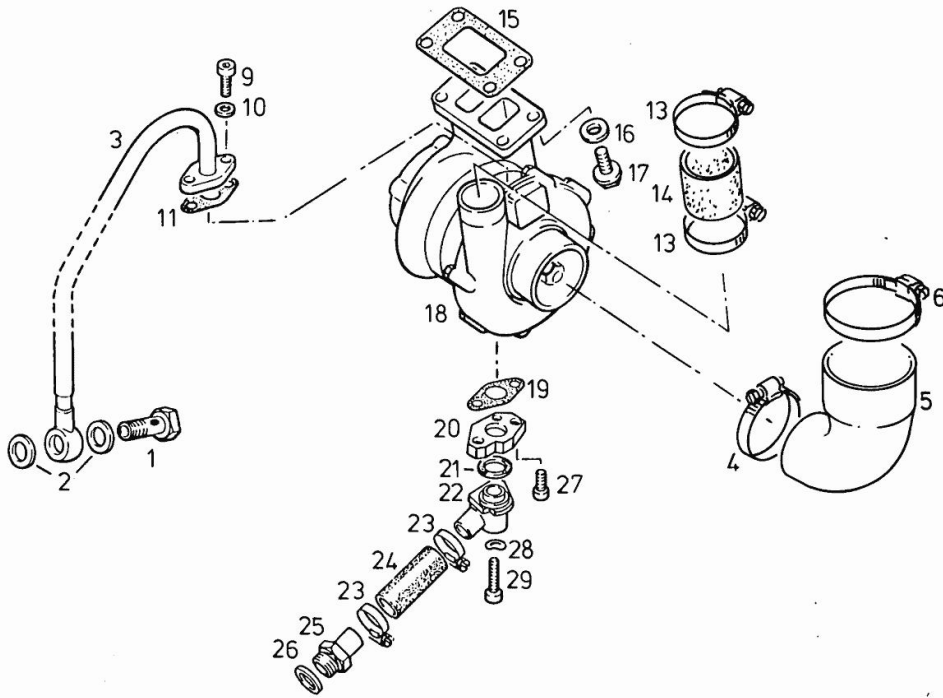


Fig.	P/n	QTY	Name
------	-----	-----	------

Notes:
[M 36.30 AB 3349]

1	01119241	1	pipe union m 12 p.1.5
2	01118673	2	oil seal
3	04153848	1	tube ☞ 4A.00.20000
4	01173940	1	clamp Ø 70/90 H 3461
5	04154008	1	pipe fitting
6	01173964	1	fascia
9	01110577	2	screw m 8 x 25
10	01107548	2	washer 8.4
11	02134266	1	gasket
13	01173971	2	fascia Ø 40/60 H 3461
14	01175634	1	sleeve 51x58x60
15	02137909	1	gasket
16	01107550	4	washer
17	03470246	4	screw
18	04153763	1	turbo charger
19	02134209	1	gasket
20	04151182	1	flange
21	01174050	1	oil seal
22	04153003	1	vent
23	01173962	2	clamp Ø 20/32
24	01177121	1	rubber tube 22X29X125
25	02235163	1	pipe fitting
26	01118760	1	gasket 26x31
27	01102194	2	screw
28	01107283	1	washer 8.2
29	01123699	1	screw m 8 x 30

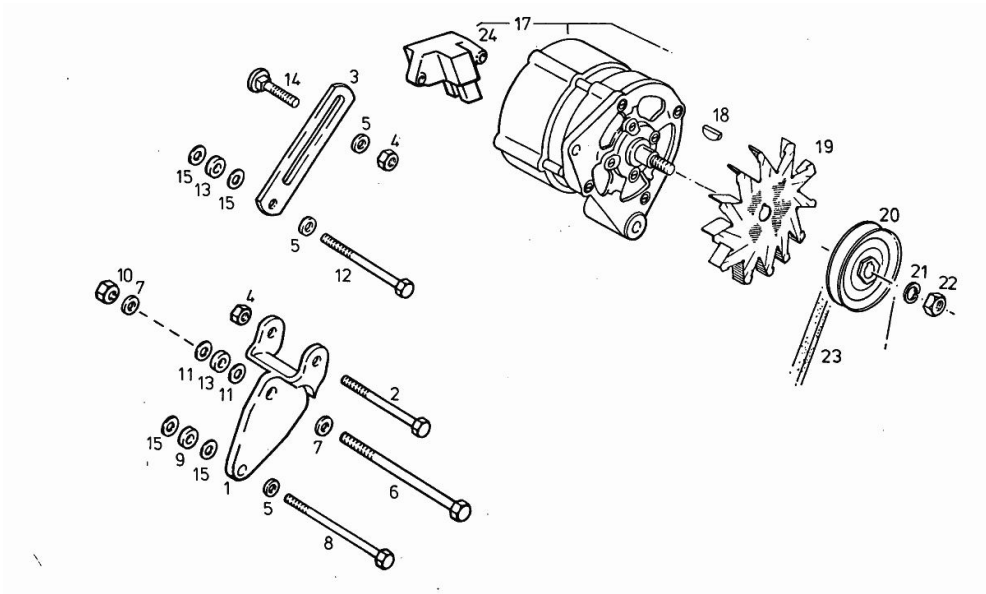
MOTOR LICHTMASCHINE NUR FUER 141KW/192 PS

Fig.	P/n	QTY	Name
------	-----	-----	------

Notes:

[M 36.30 AB 3349]

1	02237668	1	console
2	01111193	1	screw m 8 p.1.25 x 80
3	02241219	1	link
4	01112824	2	nut m 8, d934
5	01107101	3	washer 8.4
6	01111370	1	screw m10x125 d931
7	01107105	2	washer 10.5
8	01101210	1	screw m8x105 d931
9	03363948	1	washer
10	01102659	1	nut m 10, d934
11	01215748	2	washer
12	01111200	1	screw m8x90 d931
13	02234556	2	stop
14	01137624	1	screw m 8 x 25
15	01216108	4	washer
17	01178607	1	alternator 95 A
18	01118325	1	key
19	01162876	1	fan
20	01177344	1	pulley
21	01103952	1	spring disc
22	01131115	1	nut
23	02235180	1	small belt av10x1150la
24	01177145	1	regulator



Section: ENGINE

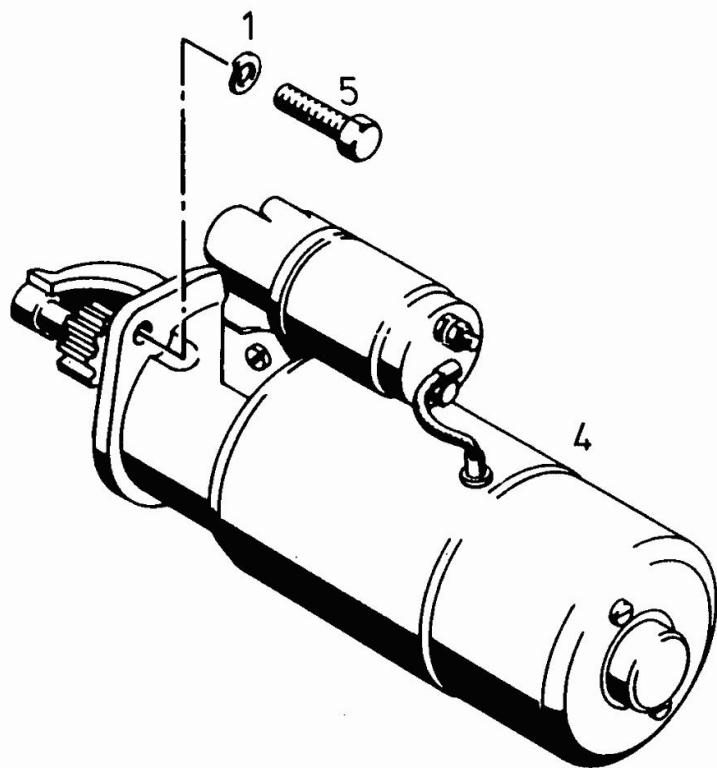
ENGINE STARTER MOTOR

Fig.	P/n	QTY	Name
------	-----	-----	------

Notes:

[M 36.30 AB 3349]

1	01102800	3	washer 10.2
4	01163758	1	starter
5	01112418	3	screw m 10 x 25, d933



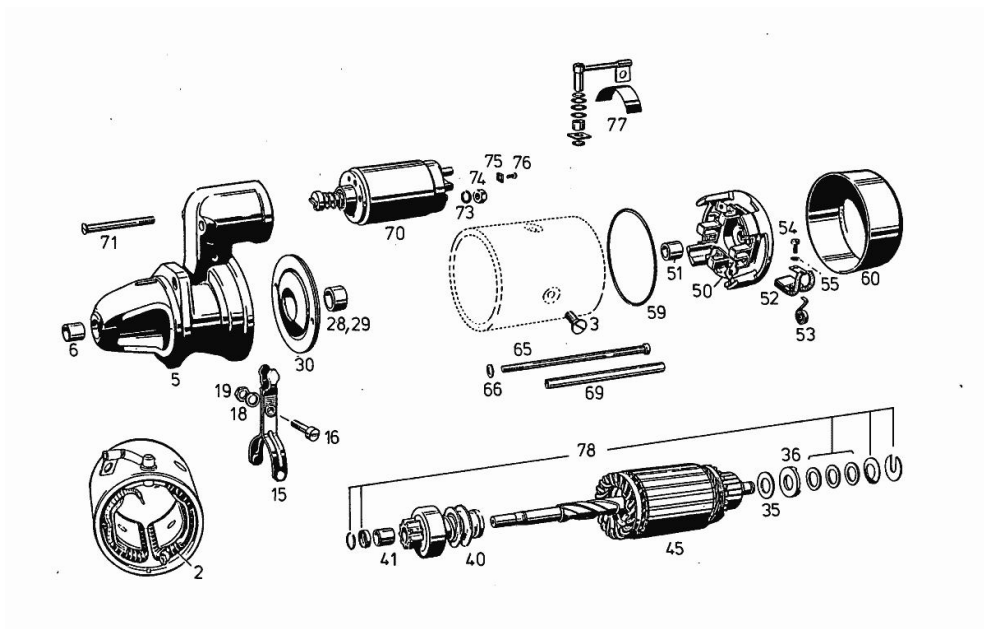
Section: ENGINE

MOTOR/EINZELTEILE FUER ANLASSER

Fig.	P/n	QTY	Name
------	-----	-----	------

Notes:

[M 36.30 AB 3349]



2	01307769	1	winding
3	01290713	8	screw
5	02985121	1	bearing
6	01289961	1	bushing
15	01307218	1	gear lever
16	02985110	1	screw
18	01102799	1	washer 8, d128
19	01126748	1	nut bm8 d439
28	01307038		bushing 23,1X19,09 MM
29	01289968		pin 25,1X19,09 MM
30	02985122	1	special bearing
35	02985126	1	brake disc
36	02985125	1	brake disc
40	01304845	1	pinion
41	01307965	2	bushing
45	01304450	1	armature
50	01307998	1	bearing
51	01307663	1	bush
52	01307082		brush set
53	01299240	4	spring
54	01123600	4	screw
55	01102796	4	ring 5
59	01289947	1	oil seal
60	02985130	1	pin
65	02985131	2	screw
66	02985060	2	washer
69	02985132	2	-
70	01304451	1	relay
71	01320454	3	screw
73	01102800	2	washer 10.2
74	01107602	2	nut
75	02985062	1	bracket
76	01105501	1	screw m 4 x 6
77	02985135	1	pipe fitting
78	02985136	1	spare parts kit

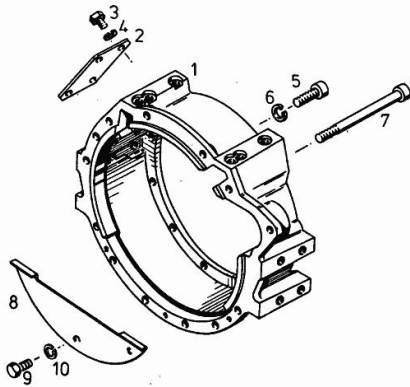
MOTOR ANSCHLUSSGEAHEUSE

Fig.	P/n	QTY	Name
------	-----	-----	------

Notes:

[M 36.30 AB 3349]

1	02102308	1	box
2	02102313	1	cover
3	01112295	4	screw m 8 x 10
4	01102799	4	washer 8, d128
5	01110664	11	screw m 10 x 30
6	01119613	11	washer 10.5
7	01110725	3	screw
8	03364077	1	plate
9	01112232	3	screw m 6 p.1 x 10
10	01102797	3	washer 6, d128



Section: ENGINE

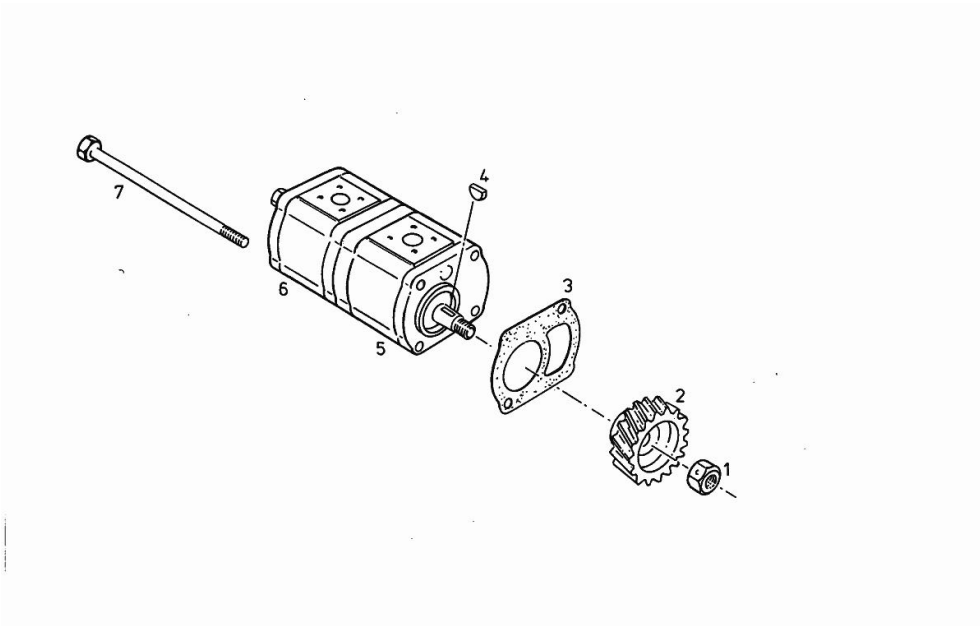
ENGINE HYDRAULIC PUMP

Fig.	P/n	QTY	Name
------	-----	-----	------

Notes:

[M 36.30 AB 3349]

1	01262635	1	nut
2	02235058	1	gear
3	02239230	1	gasket
4	01118324	1	key
5	06261692	1	hydraulic pump 125 KW
5	06529508	1	hydraulic pump 14 cc 141 KW ☞ 4D.00.20000
6	06261693	1	hydraulic pump 8 cc ☞ 4D.00.20000
7	06209195	2	screw m10x190 d931



Thank you so much for reading.
Please click the “Buy Now!”
button below to download the
complete manual.



After you pay.

You can download the most
perfect and complete manual in
the world immediately.

Our support email:

ebooklibonline@outlook.com