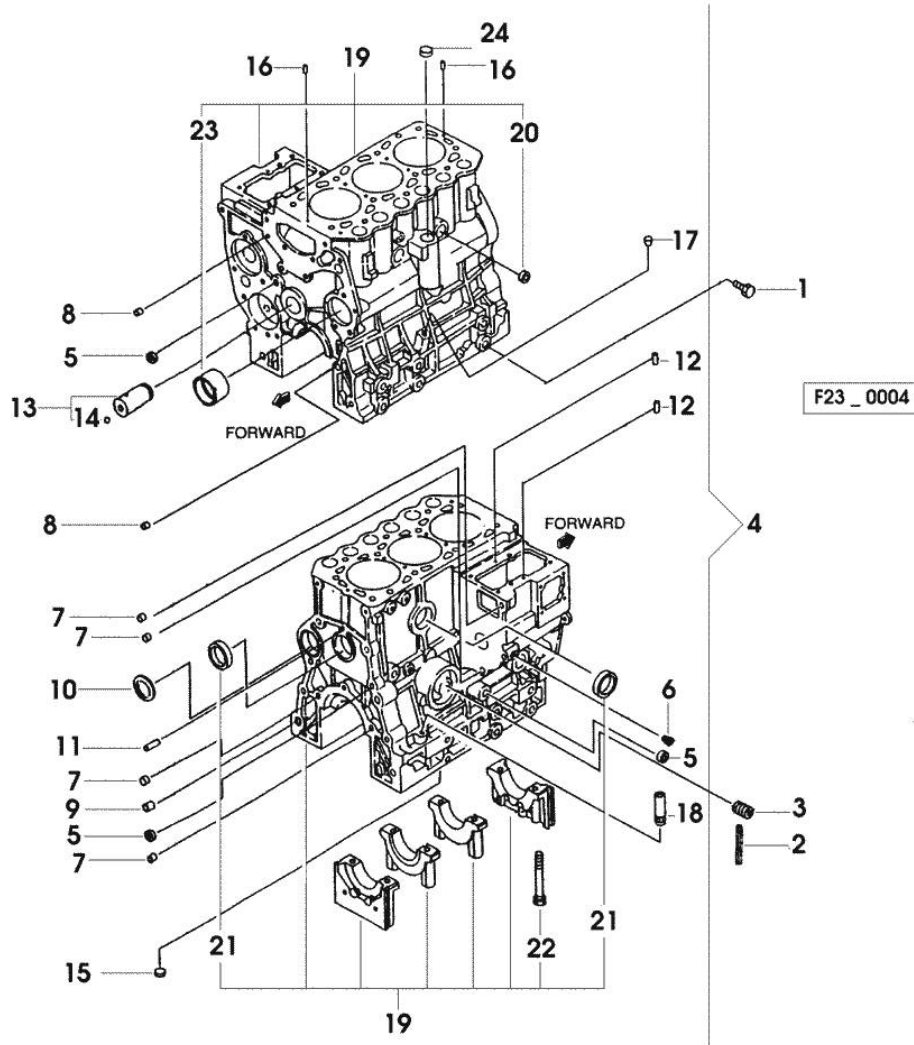


Section: ENGINE
CRANKCASE

Fig.	P/n	QTY	Name
------	-----	-----	------

Notes:
 [SOLARIS 25 HYDRO -> 2001]

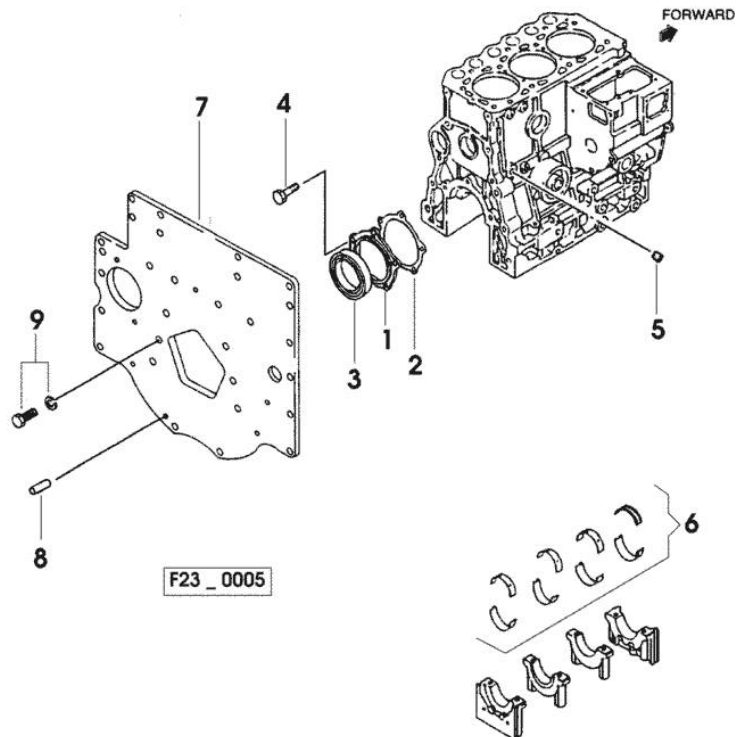
1	0.010.2648.1	4	screw
2	0.010.2651.2	4	gasket
3	0.010.2650.2	1	pipe fitting
4	0.010.2652.0	1	crankcase
5	0.010.2649.1	3	special bushing
6	0.009.4545.1	1	plug
7	0.009.4524.2	4	special bushing
8	0.009.4525.1	2	special bushing
9	0.009.4525.2	1	special bushing
10	0.009.4524.1	1	expansion plug
11	0.009.4524.0	1	pin
12	0.009.4523.0	2	pin
13	0.010.2650.0	1	pin
14	0.010.2650.1	1	ball
15	0.010.2649.0	1	plug
16	0.010.2651.0	2	pin
17	0.010.2651.1	1	plug
18	0.009.4523.2	1	guide
19	0.000.0000.1		cannot be supplied
20	0.010.2652.1	2	special bushing
21	0.010.2652.2	2	special bushing
22	0.010.2653.0	8	screw
23	0.010.2653.1	1	special bushing
24	0.010.2648.2	1	plug



Section: ENGINE
CRANKCASE

Fig.	P/n	QTY	Name
------	-----	-----	------

Notes:
 [SOLARIS 25 HYDRO -> 2001]



1	0.010.2654.2	1	flange
2	0.010.2655.0	1	gasket
3	0.010.2655.1	1	special oil seal
4	0.010.2655.2	5	screw
5	0.009.4530.0	1	plug
6	0.009.4754.0	1	main half bushing STANDARD
6	0.009.4754.1	1	main half bushing - mm 0.25
6	0.009.4754.2	1	main half bushing - mm 0.50
6	0.009.4754.3	1	main half bushing - mm 0.75
7	0.010.2656.0	1	flange
8	0.009.4532.2	1	pin
9	0.010.2656.1	6	screw

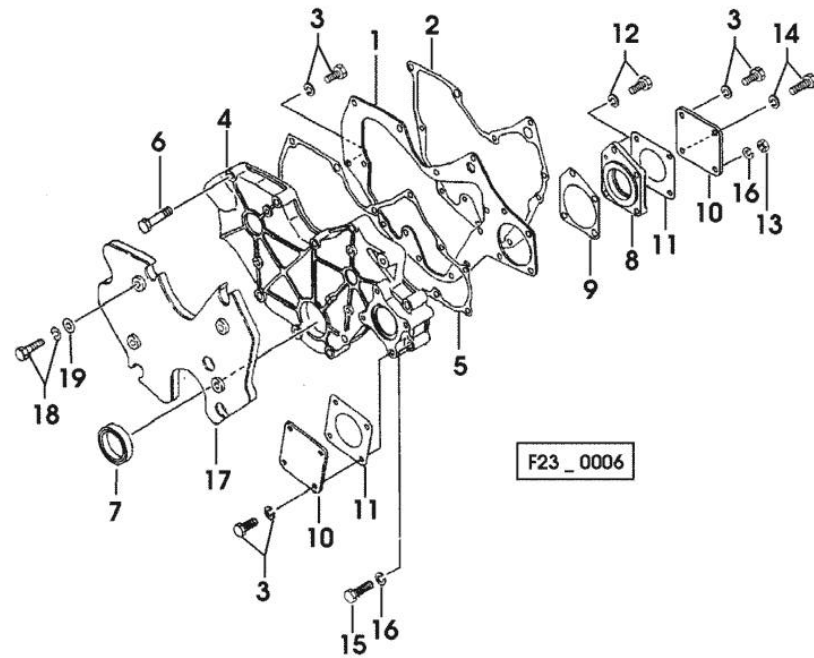
Section: ENGINE

TIMING CASE

Fig.	P/n	QTY	Name
------	-----	-----	------

Notes:

[SOLARIS 25 HYDRO -> 2001]



1	0.010.2658.0	1	plate
2	0.010.2658.1	1	gasket
3	0.010.2639.1	10	screw
4	0.010.2658.2	1	flange
5	0.010.2659.0	1	gasket
6	0.010.2659.1	8	screw
7	0.010.2659.2	1	special oil seal
8	0.010.2660.0	1	flange
9	0.010.2660.1	1	gasket
10	0.009.4756.0	2	cover
11	0.010.2660.2	2	gasket
12	0.010.2661.0	1	screw
13	0.010.2661.1	2	nut
14	0.010.2661.2	1	screw
15	0.010.2662.0	2	screw
16	0.009.4539.2	2	spring washer
17	0.010.2662.1	1	cover
18	0.010.2662.2	4	screw
19	0.010.2663.0	4	washer

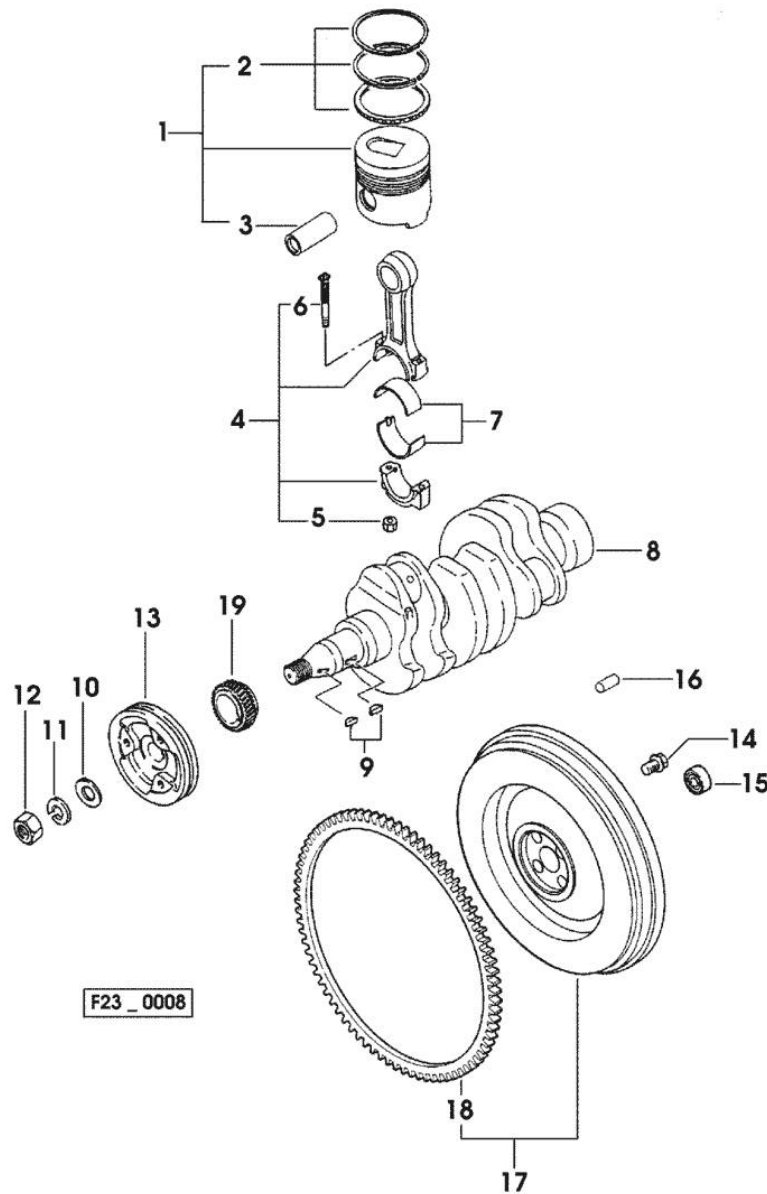
Section: ENGINE

CRANKSHAFT

Fig.	P/n	QTY	Name
------	-----	-----	------

Notes:

[SOLARIS 25 HYDRO -> 2001]



1	0.007.0060.6	3	complete piston STANDARD
1	0.007.0061.6	3	complete piston + mm 0.25
1	0.007.0062.6	3	complete piston + mm 0.50
2	0.008.0052.6	3	piston ring set STANDARD
2	0.008.0053.6	3	piston ring set + mm 0.25
2	0.008.0054.6	3	piston ring set + mm 0.50
3	0.010.2668.0	3	piston pin
4	0.010.2668.1	3	engine connecting rod
5	0.009.4783.0	6	nut
6	0.010.2668.2	6	screw
7	0.009.4782.1	3	con.rod half bushing STANDARD
7	0.010.2669.0	3	con.rod half bushing - mm 0.25
7	0.010.2669.1	3	con.rod half bushing - mm 0.50
7	0.010.2669.2	3	con.rod half bushing - mm 0.75
8	0.010.2670.0	1	crankshaft
9	0.009.4555.1	2	key
10	0.009.4554.2	1	flat washer
11	0.009.4555.0	1	spring washer
12	0.009.4554.1	1	nut
13	0.010.2670.1	1	pulley
14	0.009.4557.0	4	screw
15	0.009.4556.1	1	special bearing
16	0.009.4556.2	3	pin
17	0.010.2670.2	1	flywheel
18	0.010.2671.0	1	crown wheel Z=110
19	0.010.2671.1	1	gear

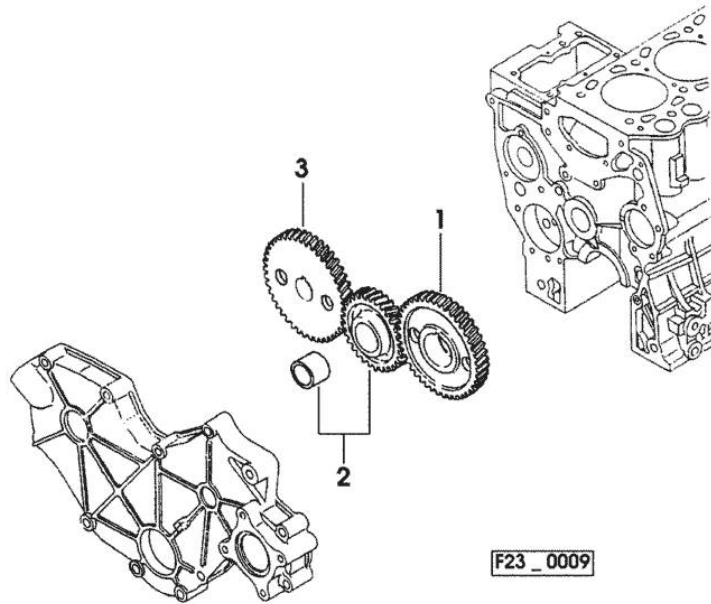
CAMSHAFT

Fig.	P/n	QTY	Name
------	-----	-----	------

Notes:

[SOLARIS 25 HYDRO -> 2001]

1	0.010.2674.1	1	gear Z = 56
2	0.010.2674.2	1	gear Z = 56
2	0.010.2675.0	1	gear Z = 56 - EXPORT U.S.A.
3	0.010.2675.1	1	gear Z = 39



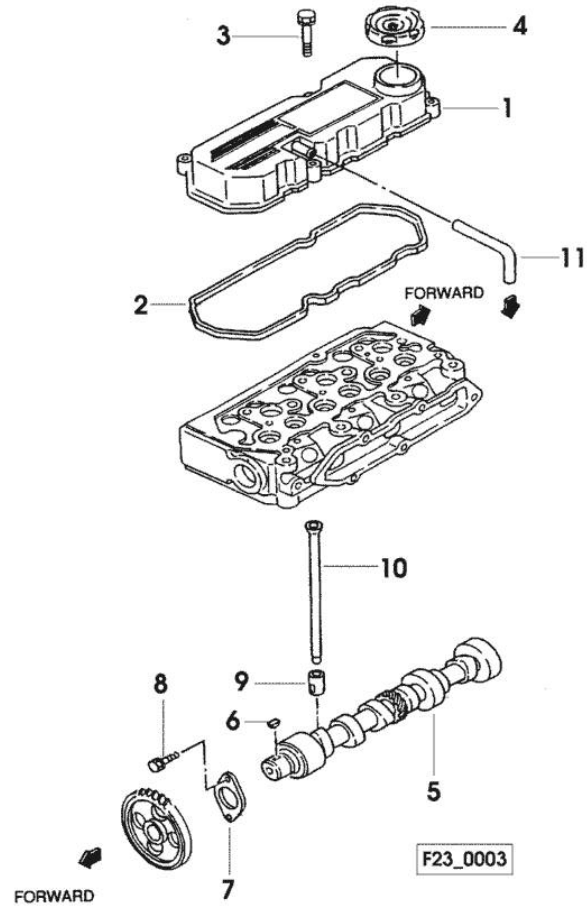
CAMSHAFT

Fig.	P/n	QTY	Name
------	-----	-----	------

Notes:

[SOLARIS 25 HYDRO -> 2001]

1	0.010.2644.2	1	cover
2	0.010.2645.1	1	gasket
3	0.010.2645.2	4	screw
4	0.009.4548.0	1	plug
5	0.010.2646.0	1	camshaft
6	0.009.4555.1	1	key
7	0.010.2646.1	1	small plate
8	0.010.2639.1	2	screw
9	0.009.4562.2	6	tappets
10	0.010.2646.2	6	rod
11	0.010.2647.0	1	tube

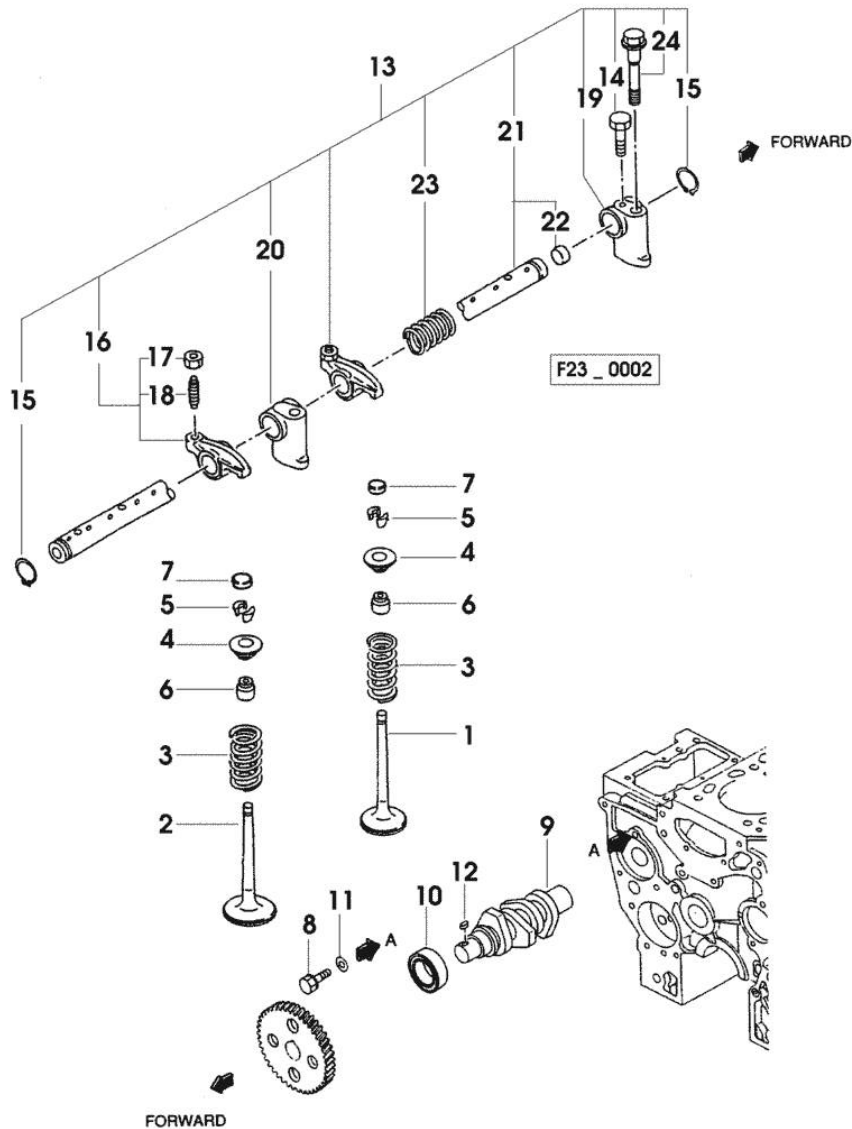


Section: ENGINE
CYLINDER HEAD

Fig.	P/n	QTY	Name
------	-----	-----	------

Notes:
[SOLARIS 25 HYDRO -> 2001]

1	0.010.2637.2	3	inlet valve Ø mm 6.5
2	0.010.2638.0	3	exhaust valve Ø mm 6.5
3	0.010.2638.1	6	spring
4	0.010.2638.2	6	cup
5	0.009.4561.2	12	stop
6	0.009.4562.0	6	gasket
7	0.010.2639.0	6	cap
8	0.010.2639.1	1	screw
9	0.010.2639.2	1	camshaft
10	0.009.4567.0	1	special bearing
11	0.009.4566.0	1	washer
12	0.009.4567.2	1	stick
13	0.010.2640.0	1	shaft
14	0.010.2640.1	1	screw
15	0.009.4559.0	2	ring
16	0.010.2640.2	6	rocker arm
17	0.010.2641.0	6	nut
18	0.010.2641.2	6	screw
19	0.010.2642.0	1	support
20	0.010.2642.1	2	support
21	0.010.2642.2	1	shaft
22	0.010.2643.0	2	plug
23	0.010.2643.1	2	spring
24	0.010.2643.2	3	screw



Section: ENGINE
CYLINDER HEAD

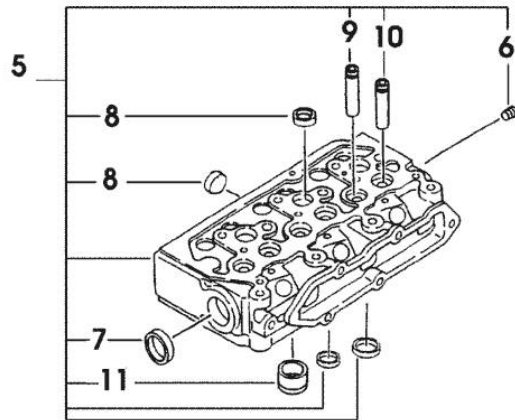
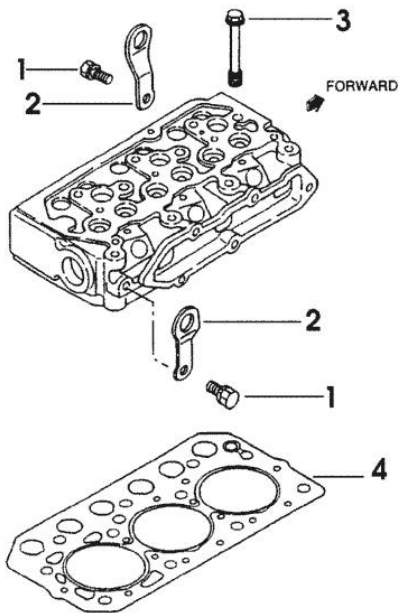


Fig.	P/n	QTY	Name
------	-----	-----	------

Notes:
 [SOLARIS 25 HYDRO -> 2001]

1	0.010.2633.0	2	screw
2	0.009.4541.2	2	bracket
3	0.010.2633.1	11	screw
4	0.010.2633.2	1	gasket
5	0.010.2634.0	1	engine head
6	0.009.4545.1	1	plug
7	0.010.2634.1	1	plug
8	0.009.4527.0	5	plug
9	0.010.2634.2	3	valve guide
10	0.010.2635.0	3	valve guide
11	0.010.2635.1	3	special bushing



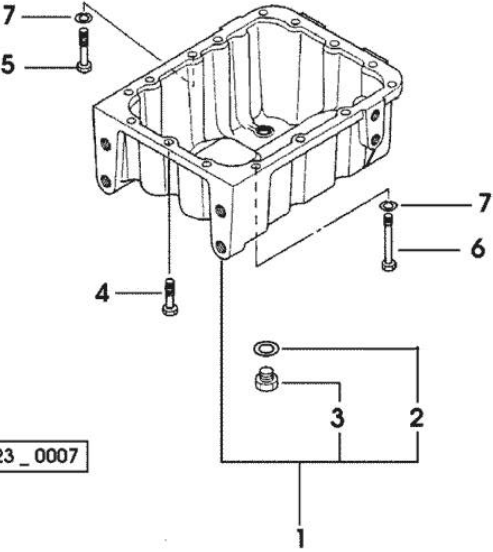
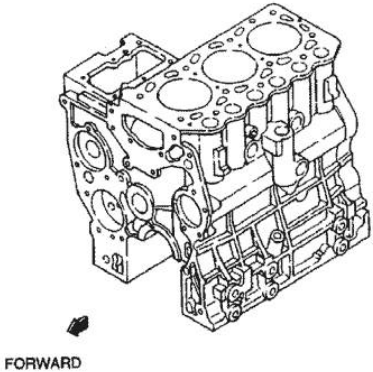
F23_0001

OIL PAN

Fig.	P/n	QTY	Name
------	-----	-----	------

Notes:
 [SOLARIS 25 HYDRO -> 2001]

1	0.010.2663.1	1	oil sump
2	0.010.2663.2	1	gasket
3	0.010.2664.0	1	plug
4	0.010.2664.1	10	screw
5	0.010.2664.2	1	screw
6	0.010.2665.0	4	screw
7	0.010.2665.1	5	washer



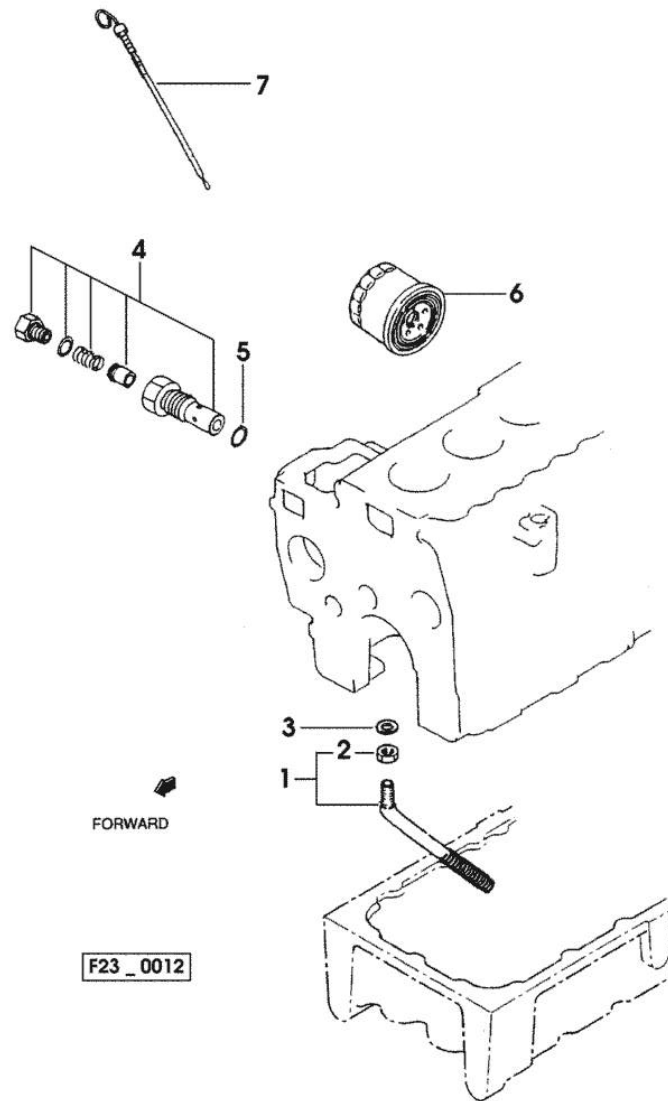
F23_0007

Section: ENGINE
LUBRICATION

Fig.	P/n	QTY	Name
------	-----	-----	------

Notes:
 [SOLARIS 25 HYDRO -> 2001]

1	0.010.2685.2	1	tube
2	0.009.4634.0	1	self-locking nut
3	0.009.4634.1	1	gasket
4	0.010.2686.0	1	valve
5	0.010.2686.1	1	gasket
6	0.009.4794.1	1	oil filter element - X 25HP - 35HP
6	0.010.2687.0	1	oil filter element - X 45HP
7	0.010.2687.1	1	dipstick

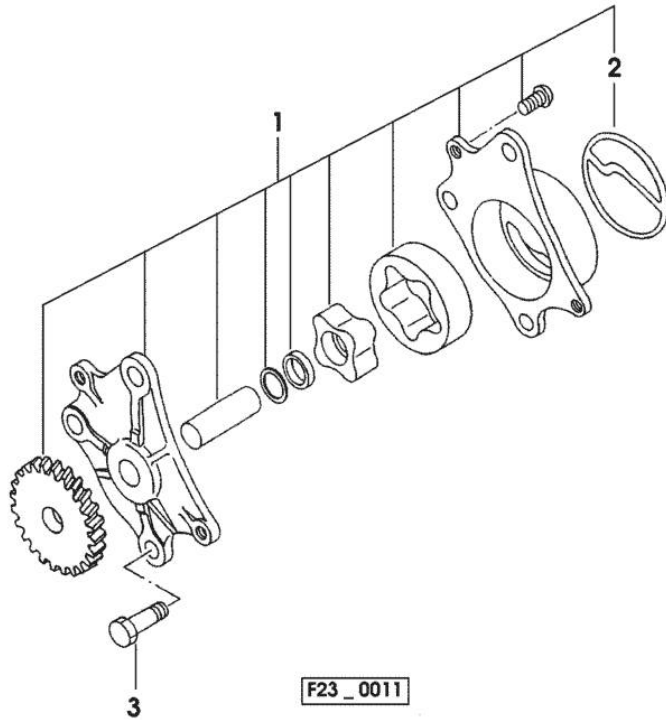


Section: ENGINE
LUBRICATION

Fig.	P/n	QTY	Name
------	-----	-----	------

Notes:
 [SOLARIS 25 HYDRO -> 2001]

1	0.010.2684.2	1	oil pump
2	0.010.2685.0	1	gasket
3	0.010.2685.1	3	screw



Thank you so much for reading.
Please click the “Buy Now!”
button below to download the
complete manual.



After you pay.

You can download the most
perfect and complete manual in
the world immediately.

Our support email:

ebooklibonline@outlook.com