

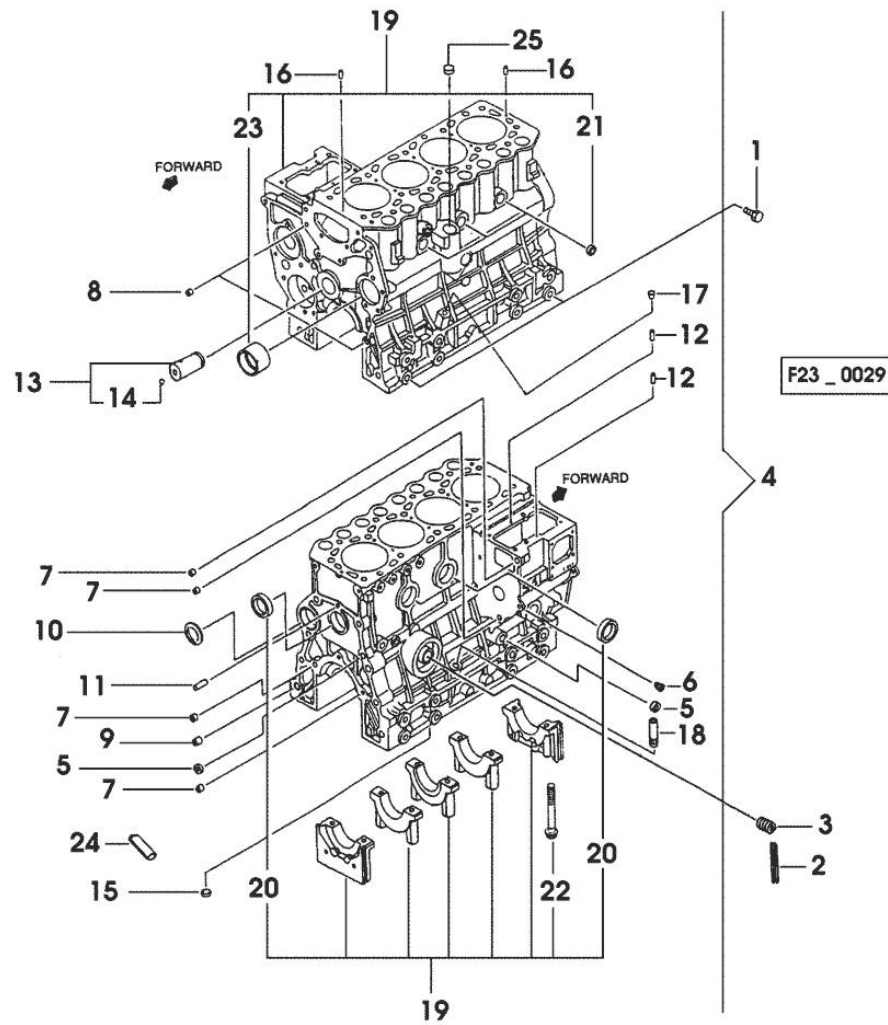
Section: ENGINE

**CRANKCASE**

Fig.	P/n	QTY	Name
------	-----	-----	------

Notes:

[SOLARIS 35 -> 5001]

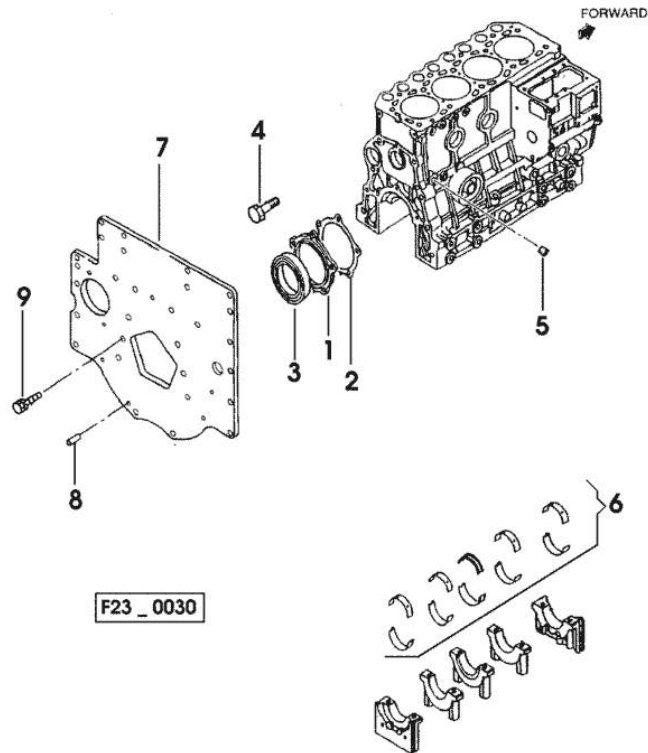


1	0.010.2648.1	4	screw
2	0.010.2651.2	4	gasket
3	0.010.2650.2	1	pipe fitting
4	0.010.2653.2	1	crankcase
			- X 35HP
4	0.010.2654.0	1	crankcase
			- X 45HP
5	0.010.2649.1	3	special bushing
6	0.009.4545.1	1	plug
7	0.009.4524.2	4	special bushing
8	0.009.4525.1	2	special bushing
9	0.009.4525.2	1	special bushing
10	0.009.4524.1	1	expansion plug
11	0.009.4524.0	1	pin
12	0.009.4523.0	2	pin
13	0.010.2650.0	1	pin
14	0.010.2650.1	1	ball
15	0.010.2649.0	1	plug
			- X 35HP
16	0.010.2651.0	2	pin
17	0.010.2651.1	1	plug
18	0.009.4523.2	1	guide
19	0.000.0000.1		cannot be supplied
20	0.010.2652.1	3	special bushing
21	0.010.2652.2	3	special bushing
22	0.010.2653.0	10	screw
23	0.010.2653.1	1	special bushing
24	0.010.2654.1	4	tube
			- X 45HP
25	0.010.2648.2	1	plug

Section: ENGINE  
**CRANKCASE**

Fig.	P/n	QTY	Name
------	-----	-----	------

Notes:  
 [SOLARIS 35 -> 5001]



1	0.010.2654.2	1	flange
2	0.010.2655.0	1	gasket
3	0.010.2655.1	1	special oil seal
4	0.010.2655.2	5	screw
5	0.009.4530.0	1	plug
6	0.009.4531.0	1	main half bushing STANDARD
6	0.009.4531.1	1	- X 35HP
6	0.009.4531.2	1	main half bushing - mm 0.25
6	0.009.4531.2	1	- X 35HP
6	0.009.4531.2	1	main half bushing - mm 0.50
6	0.009.4531.2	1	- X 35HP
6	0.009.4532.0	1	main half bushing - mm 0.75
6	0.010.2656.2	1	- X 35HP
6	0.010.2656.2	1	main half bushing STANDARD
6	0.010.2657.0	1	- X 45HP
6	0.010.2657.0	1	main half bushing - mm 0.25
6	0.010.2657.0	1	- X 45HP
6	0.010.2657.1	1	main half bushing - mm 0.50
6	0.010.2657.1	1	- X 45HP
6	0.010.2657.2	1	main half bushing - mm 0.75
6	0.010.2657.2	1	- X 45HP
7	0.010.2656.0	1	flange
8	0.009.4532.2	1	pin
9	0.010.2656.1	6	screw

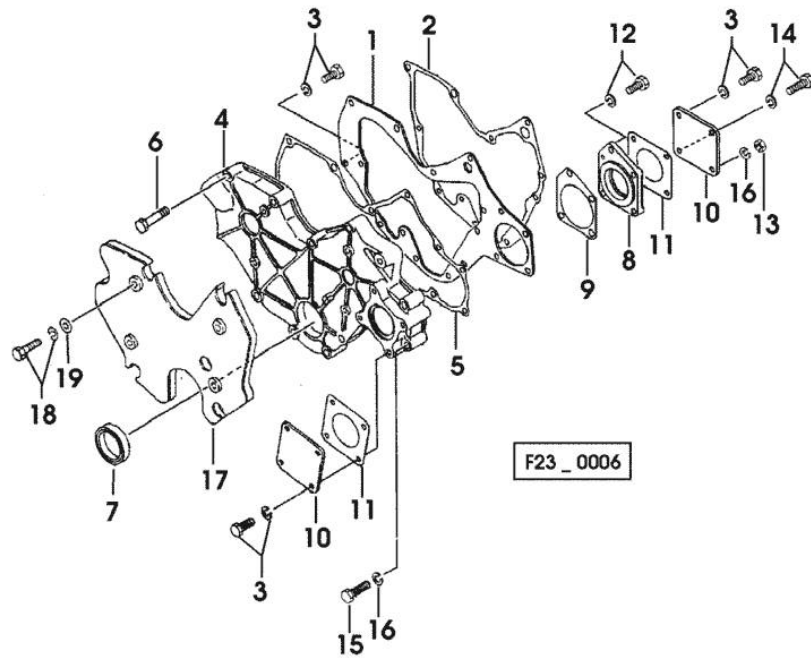
Section: ENGINE

**TIMING CASE**

Fig.	P/n	QTY	Name
------	-----	-----	------

Notes:

[SOLARIS 35 -> 5001]



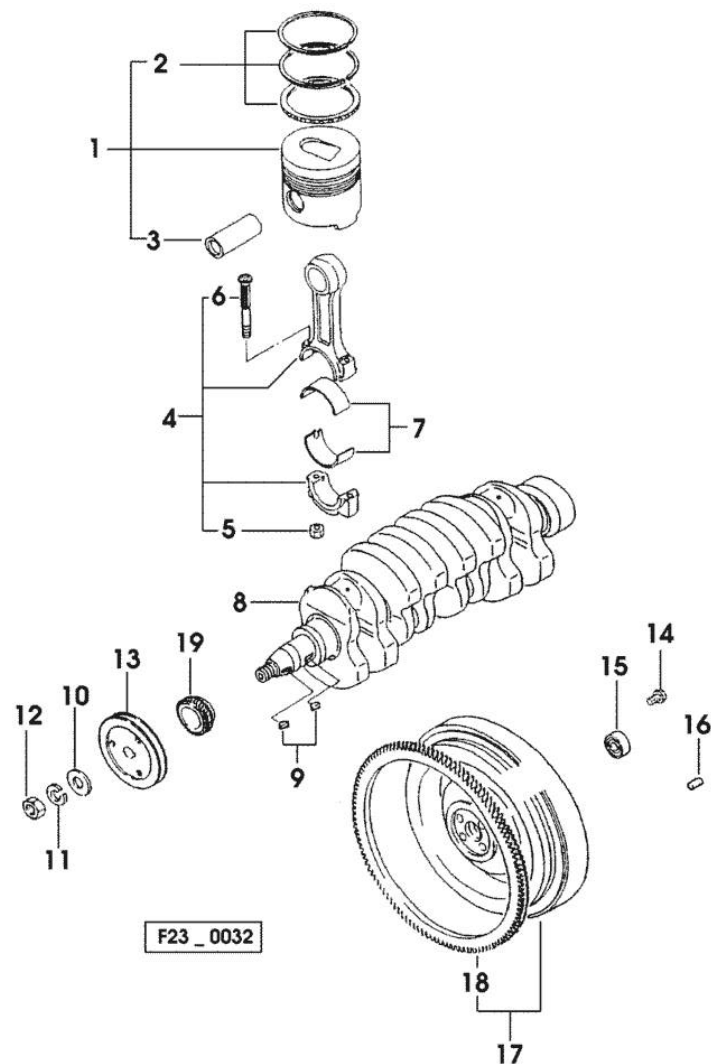
1	0.010.2658.0	1	plate
2	0.010.2658.1	1	gasket
3	0.010.2639.1	10	screw
4	0.010.2658.2	1	flange
5	0.010.2659.0	1	gasket
6	0.010.2659.1	8	screw
7	0.010.2659.2	1	special oil seal
8	0.010.2660.0	1	flange
9	0.010.2660.1	1	gasket
10	0.009.4756.0	2	cover
11	0.010.2660.2	2	gasket
12	0.010.2661.0	1	screw
13	0.010.2661.1	2	nut
14	0.010.2661.2	1	screw
15	0.010.2662.0	2	screw
16	0.009.4539.2	2	spring washer
17	0.010.2662.1	1	cover
18	0.010.2662.2	4	screw
19	0.010.2663.0	4	washer

Section: ENGINE  
CRANKSHAFT

Fig.	P/n	QTY	Name
------	-----	-----	------

## Notes:

[SOLARIS 35 -&gt; 5001]



1	0.007.0060.6	4	complete piston STANDARD - X 35HP
1	0.007.0061.6	4	complete piston + mm 0.25 - X 35HP
1	0.007.0062.6	4	complete piston + mm 0.50 - X 35HP
1	0.009.0060.6	4	complete piston STANDARD - X 45HP
1	0.009.0061.6	4	complete piston + mm 0.25 - X 45HP
1	0.009.0062.6	4	complete piston + mm 0.50 - X 45HP
2	0.008.0052.6	4	piston ring set STANDARD
2	0.008.0053.6	4	piston ring set + mm 0.25
2	0.008.0054.6	4	piston ring set + mm 0.50
3	0.010.2668.0	4	piston pin
4	0.010.2671.2	4	engine connecting rod
5	0.009.4783.0	8	nut
6	0.010.2668.2	8	screw
7	0.009.4782.1	4	con.rod half bushing STANDARD
7	0.010.2669.0	4	con.rod half bushing - mm 0.25
7	0.010.2669.1	4	con.rod half bushing - mm 0.50
7	0.010.2669.2	4	con.rod half bushing - mm 0.75
8	0.010.2672.0	1	crankshaft
9	0.009.4555.1	2	key
10	0.009.4554.2	1	flat washer
11	0.009.4555.0	1	spring washer
12	0.009.4554.1	1	nut
13	0.010.2672.1	1	pulley - X 35HP
13	0.010.2672.2	1	pulley - X 45HP
14	0.009.4557.0	4	screw
15	0.009.4556.1	1	special bearing
16	0.009.4556.2	3	pin
17	0.010.2673.0	1	flywheel
18	0.010.2671.0	1	crown wheel Z=110
19	0.010.2671.1	1	gear

Section: ENGINE

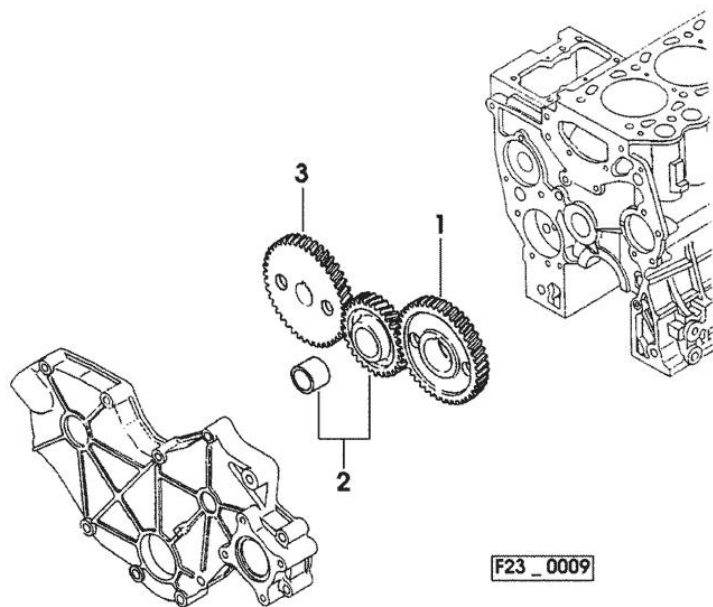
**CAMSHAFT**

Fig.	P/n	QTY	Name
------	-----	-----	------

**Notes:**

[SOLARIS 35 -&gt; 5001]

1	0.010.2674.1	1	gear Z = 56
2	0.010.2674.2	1	gear Z = 56
2	0.010.2675.0	1	gear Z = 56 - EXPORT U.S.A.
3	0.010.2675.1	1	gear Z = 39



Section: ENGINE

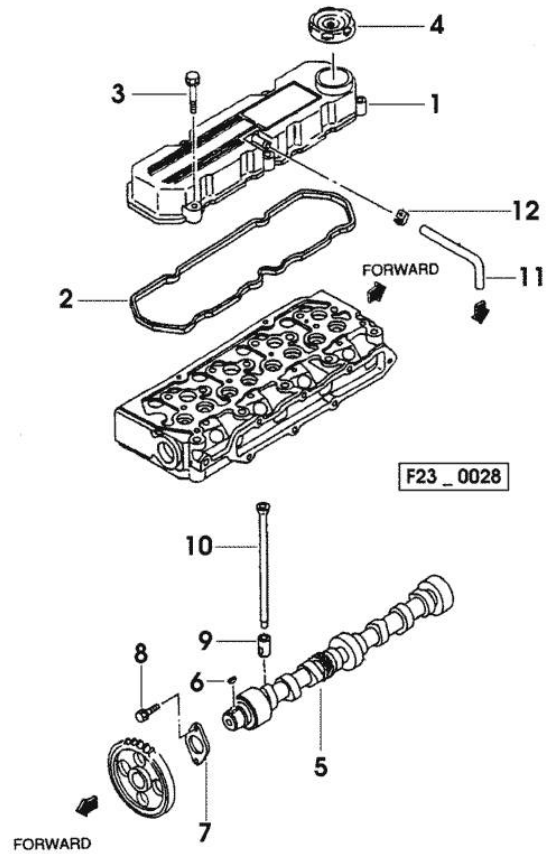
**CAMSHAFT**

Fig.	P/n	QTY	Name
------	-----	-----	------

Notes:

[SOLARIS 35 -> 5001]

1	0.010.2647.1	1	cover
2	0.010.2647.2	1	gasket
3	0.010.2645.2	5	screw
4	0.009.4548.0	1	plug
5	0.010.2648.0	1	camshaft
6	0.009.4555.1	1	key
7	0.010.2646.1	1	small plate
8	0.010.2639.1	2	screw
9	0.009.4562.2	8	tappets
10	0.010.2646.2	8	rod
11	0.009.4781.2	1	tube - X 45HP
11	0.010.2647.0	1	tube - X 35HP
12	0.010.2206.0	1	clamp - X 45HP

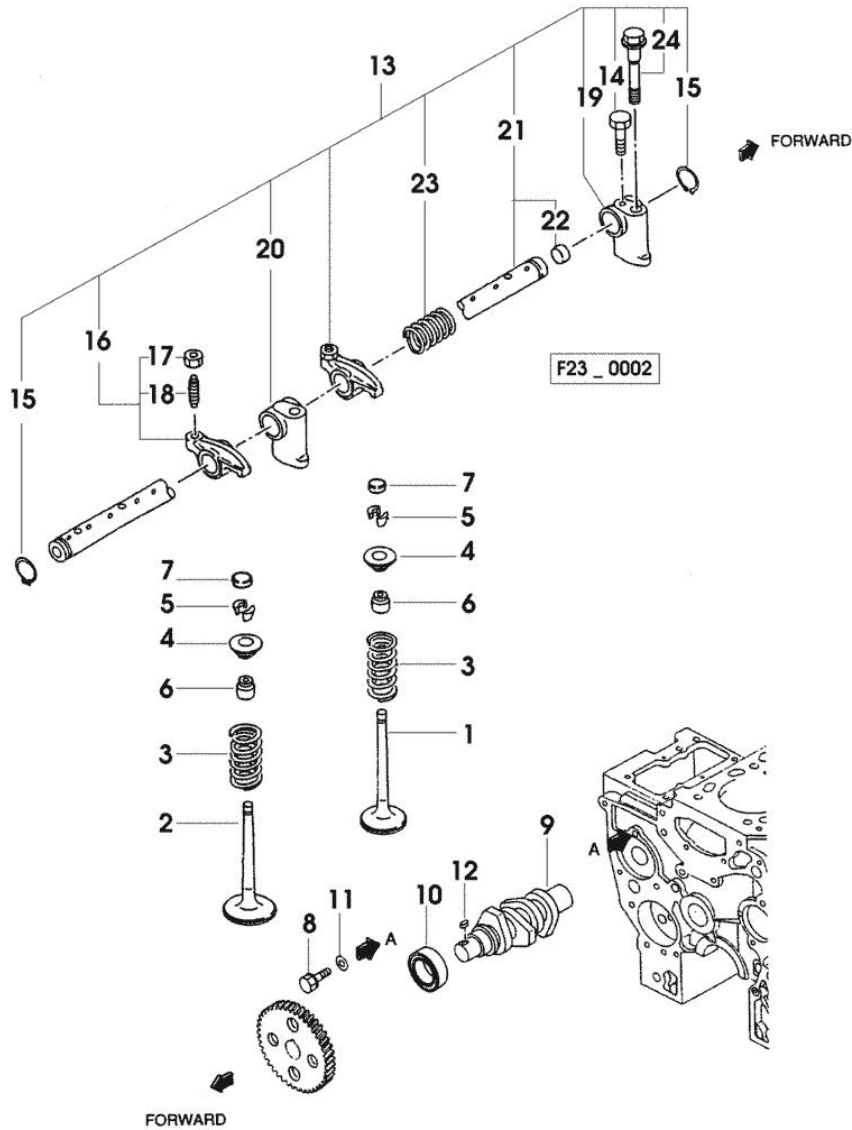


Section: ENGINE  
CYLINDER HEAD

Fig.	P/n	QTY	Name
------	-----	-----	------

Notes:  
[SOLARIS 35 -> 5001]

1	0.010.2637.2	4	inlet valve Ø mm 6.5
2	0.010.2638.0	4	exhaust valve Ø mm 6.5
3	0.010.2638.1	8	spring
4	0.010.2638.2	8	cup
5	0.009.4561.2	16	stop
6	0.009.4562.0	8	gasket
7	0.010.2639.0	8	cap
8	0.010.2639.1	1	screw
9	0.010.2644.0	1	camshaft
10	0.009.4567.0	1	special bearing
11	0.009.4566.0	1	washer
12	0.009.4567.2	1	stick
13	0.000.0000.1	1	cannot be supplied
14	0.010.2640.1	1	screw
15	0.009.4559.0	2	ring
16	0.010.2640.2	8	rocker arm
17	0.010.2641.0	8	nut
18	0.010.2641.2	8	screw
19	0.010.2642.0	1	support
20	0.010.2642.1	3	support
21	0.010.2644.1	1	shaft
22	0.010.2643.0	2	plug
23	0.010.2643.1	2	spring
24	0.010.2643.2	4	screw

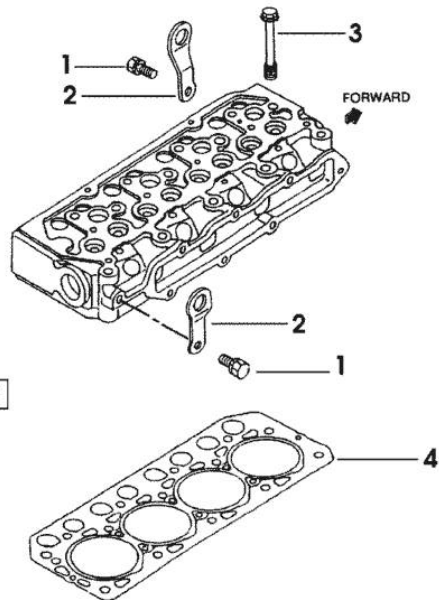
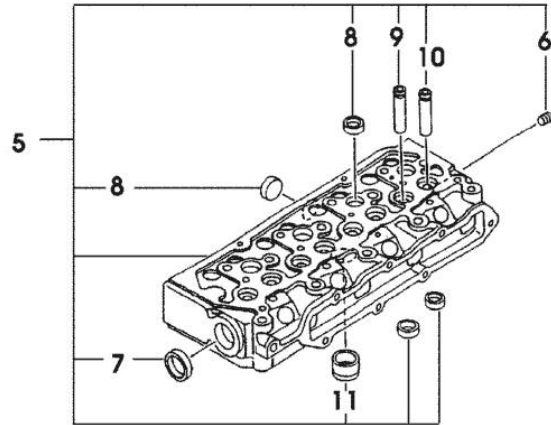


Section: ENGINE  
**CYLINDER HEAD**

Fig.	P/n	QTY	Name
------	-----	-----	------

Notes:  
 [SOLARIS 35 -> 5001]

1	0.010.2633.0	2	screw
2	0.009.4541.2	2	bracket
3	0.010.2633.1	14	screw
4	0.010.2635.2	1	gasket
5	0.010.2636.0	1	engine head
6	0.009.4545.1	1	plug
7	0.010.2634.1	1	plug
8	0.010.2636.1	7	plug
9	0.010.2634.2	4	valve guide
10	0.010.2635.0	4	valve guide
11	0.010.2636.2	4	special bushing



F23\_0027

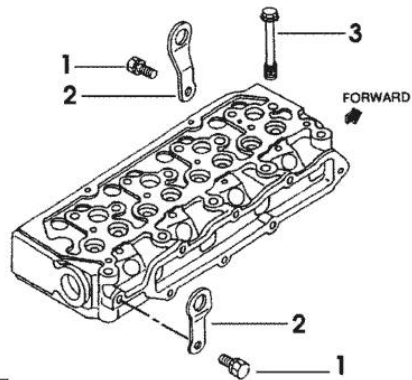
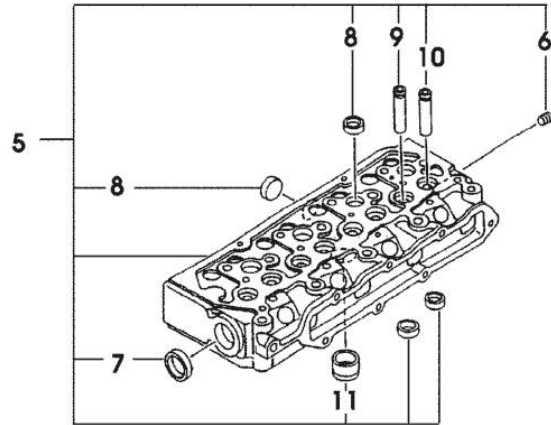


Section: ENGINE  
**CYLINDER HEAD**

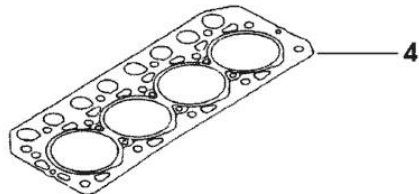
Fig.	P/n	QTY	Name
------	-----	-----	------

Notes:  
 - EXPORT U.S.A. [SOLARIS 35 -> 5001]

1	0.010.2633.0	2	screw
2	0.009.4541.2	2	bracket
3	0.010.2633.1	14	screw
4	0.010.2635.2	1	gasket
5	0.010.2637.0	1	engine head
6	0.009.4545.1	1	plug
7	0.010.2634.1	1	plug
8	0.009.4527.0	7	plug
9	0.010.2634.2	4	valve guide
10	0.010.2635.0	4	valve guide
11	0.010.2637.1	4	special bushing



F23\_0027



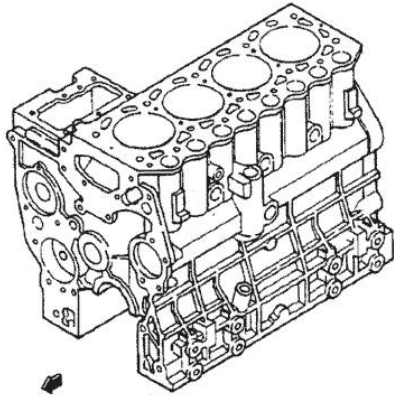
**OIL PAN**

Fig.	P/n	QTY	Name
------	-----	-----	------

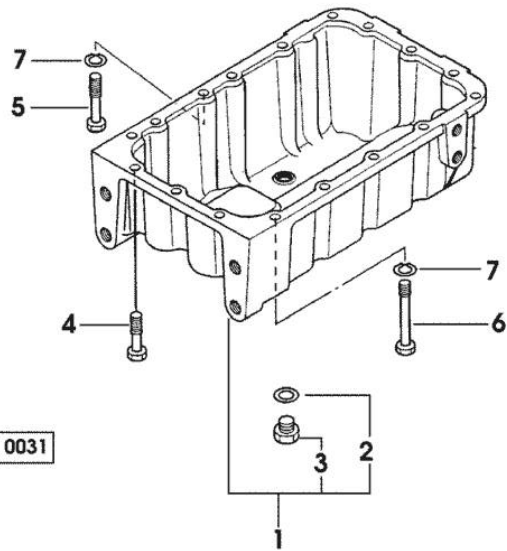
**Notes:**

[SOLARIS 35 -> 5001]

1	0.010.2665.2	1	oil sump
2	0.010.2663.2	1	gasket
3	0.010.2664.0	1	plug
4	0.010.2664.1	12	screw
5	0.010.2664.2	1	screw
6	0.010.2665.0	4	screw
7	0.010.2665.1	5	washer



FORWARD



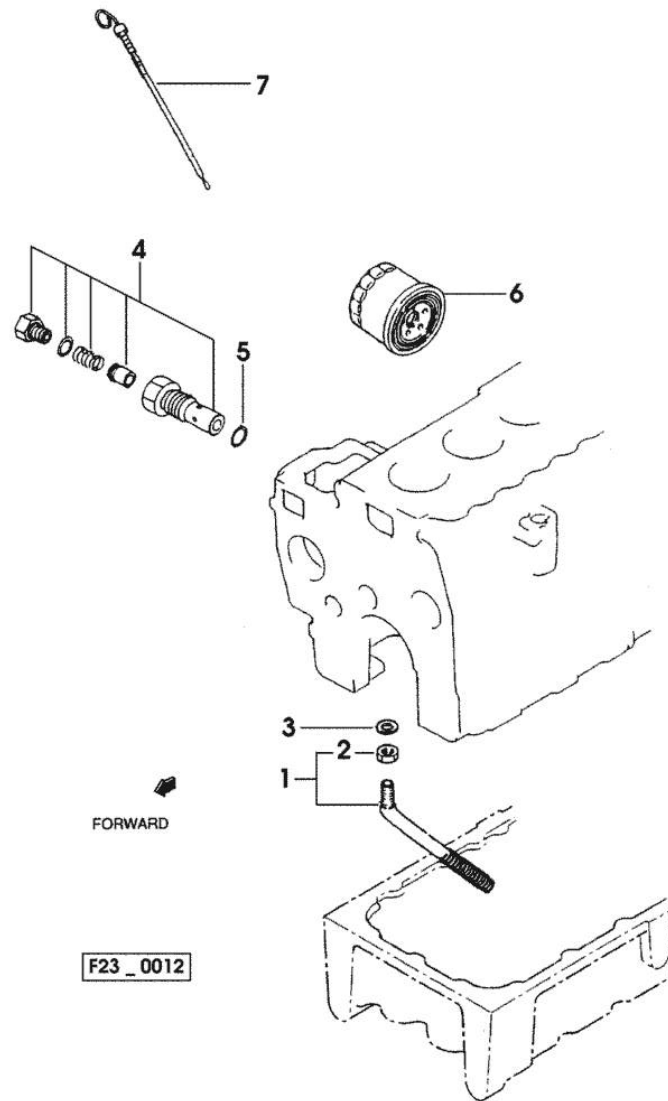
F23\_0031

Section: ENGINE  
**LUBRICATION**

Fig.	P/n	QTY	Name
------	-----	-----	------

Notes:  
 [SOLARIS 35 -> 5001]

1	0.010.2685.2	1	tube
2	0.009.4634.0	1	self-locking nut
3	0.009.4634.1	1	gasket
4	0.010.2686.0	1	valve
5	0.010.2686.1	1	gasket
6	0.009.4794.1	1	oil filter element - X 25HP - 35HP
6	0.010.2687.0	1	oil filter element - X 45HP
7	0.010.2687.1	1	dipstick



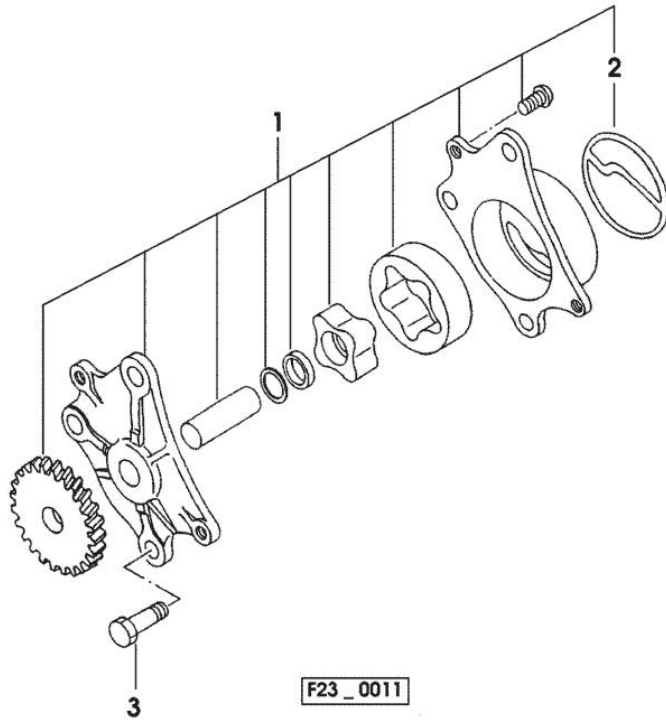
Section: ENGINE  
**LUBRICATION**

Fig.	P/n	QTY	Name
------	-----	-----	------

**Notes:**

[SOLARIS 35 -&gt; 5001]

1	0.010.2684.2	1	oil pump
2	0.010.2685.0	1	gasket
3	0.010.2685.1	3	screw



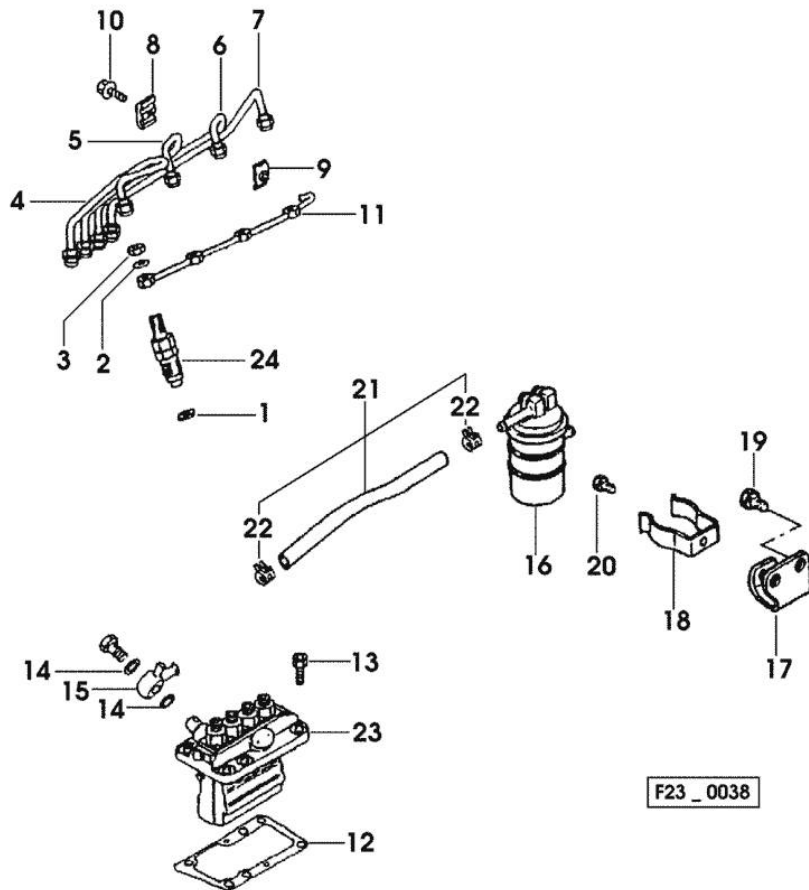
## Section: ENGINE

**FUEL SUPPLY SYSTEM**

Fig.	P/n	QTY	Name
------	-----	-----	------

**Notes:**

[SOLARIS 35 -&gt; 5001]

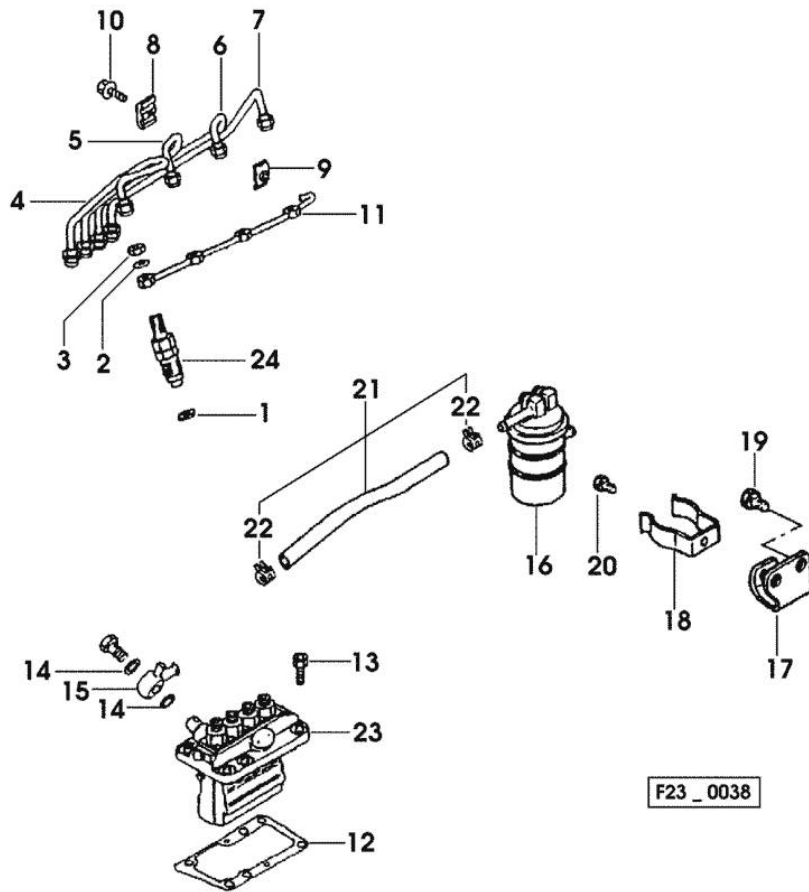


1	0.010.2699.1	4	gasket
2	0.010.2699.2	4	gasket
3	0.010.2700.0	4	nut
4	0.010.2700.1	1	tube - X 35HP
4	0.010.2702.2	1	tube - X 45HP
5	0.010.2700.2	1	tube - X 35HP
5	0.010.2703.0	1	tube - X 45HP
6	0.010.2701.0	1	tube - X 35HP
6	0.010.2703.2	1	tube - X 45HP
7	0.010.2704.0	1	tube - X 35HP
7	0.010.2704.1	1	tube - X 45HP
8	0.009.4570.2	3	clamp
9	0.009.4571.0	3	clamp
10	0.010.2701.1	3	screw
11	0.010.2703.1	1	tube
12	0.009.4576.2		shim mm 0.20
12	0.009.4578.1		shim mm 0.7
12	0.009.4578.2		shim mm 0.8
12	0.009.4579.0		shim mm 0.9
12	0.009.4579.1		shim mm 1.0
13	0.010.2655.2	6	screw
14	0.009.4576.1	2	gasket
15	0.010.2704.2	1	pipe fitting
16	0.009.4575.0	1	fuel filter element - X 35HP
16	0.009.4784.1	1	fuel filter element - X 45HP
17	0.009.4575.2	1	support
18	0.009.4575.1	1	clamp
19	0.010.2639.1	2	screw
20	0.010.2705.0	1	screw
21	0.010.2705.1	1	tube - X 35HP

Section: ENGINE

**FUEL SUPPLY SYSTEM**

Fig.	P/n	QTY	Name
21	0.010.2705.2	1	tube - X 45HP
22	0.009.4572.1	2	clamp
23	0.010.2706.0	1	injector pump - X 35HP F 26
23	0.010.2706.1	1	injector pump - X 45HP F 27
24	0.010.2702.1	4	injector assembly F 24

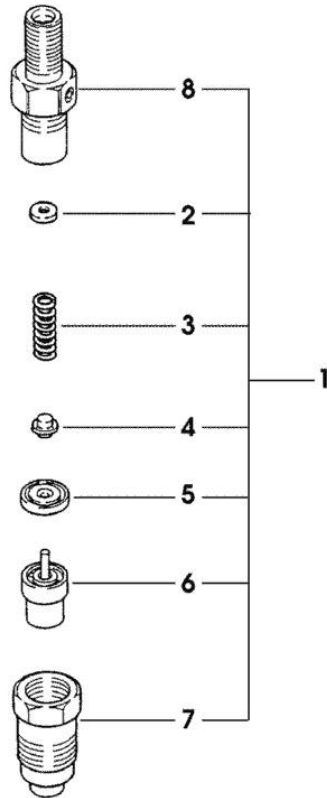


**INJECTOR NOZZLE HOLDER COMPONENTS**

Fig.	P/n	QTY	Name
------	-----	-----	------

**Notes:**

[SOLARIS 35 -> 5001]



F23\_0015

1	0.010.2702.1	4	injector assembly
2	0.010.2706.2		shim mm 1.25
2	0.010.2707.0		shim mm 1.3
2	0.010.2707.1		shim mm 1.35
2	0.010.2707.2		shim mm 1.4
2	0.010.2708.0		shim mm 1.45
2	0.010.2708.1		shim mm 1.5
2	0.010.2708.2		shim mm 1.55
2	0.010.2709.0		shim mm 1.6
2	0.010.2709.1		shim mm 1.65
2	0.010.2709.2		shim mm 1.7
3	0.010.2710.0	4	spring
4	0.010.2710.1	4	cap-washer
5	0.010.2710.2	4	cap-washer
6	0.010.2711.0	4	nozzle
7	0.010.2711.1	4	nut
8	0.010.2711.2	4	body

Thank you so much for reading.  
Please click the “Buy Now!”  
button below to download the  
complete manual.



After you pay.

You can download the most  
perfect and complete manual in  
the world immediately.

Our support email:

[ebooklibonline@outlook.com](mailto:ebooklibonline@outlook.com)