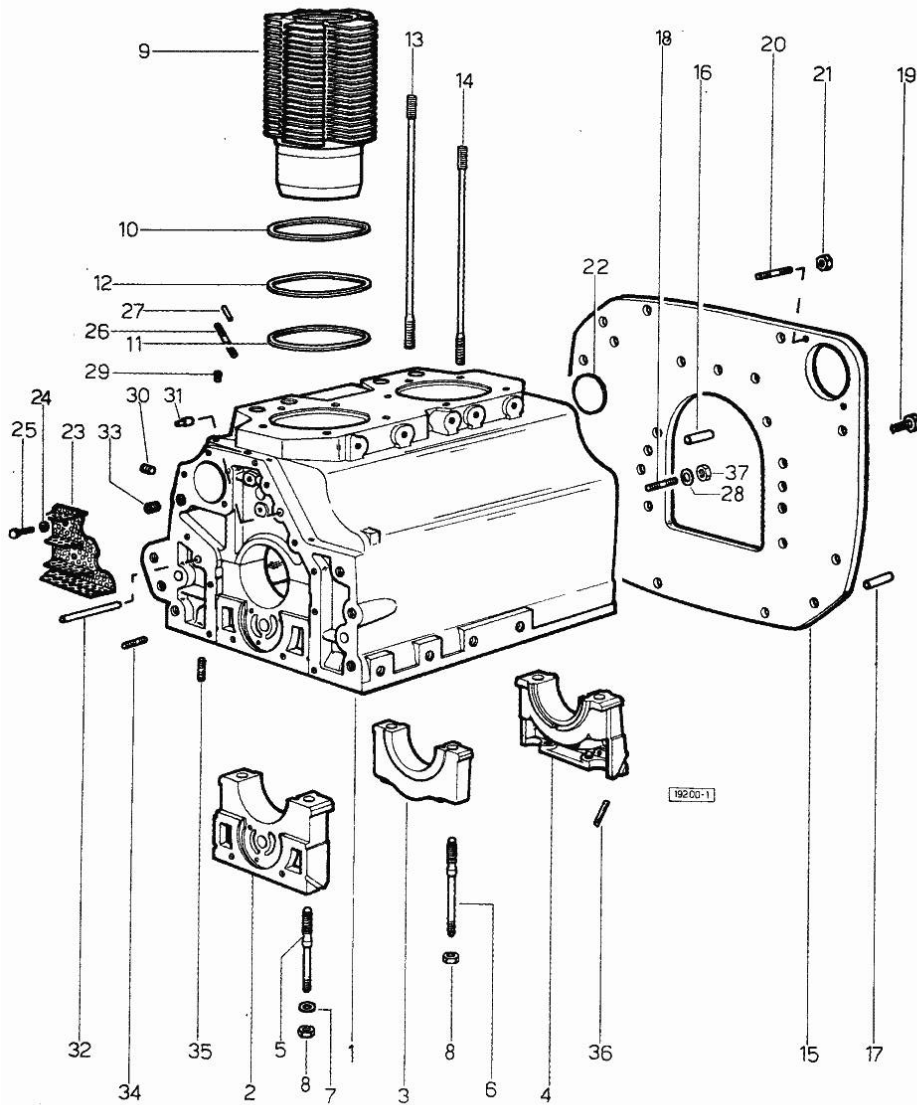
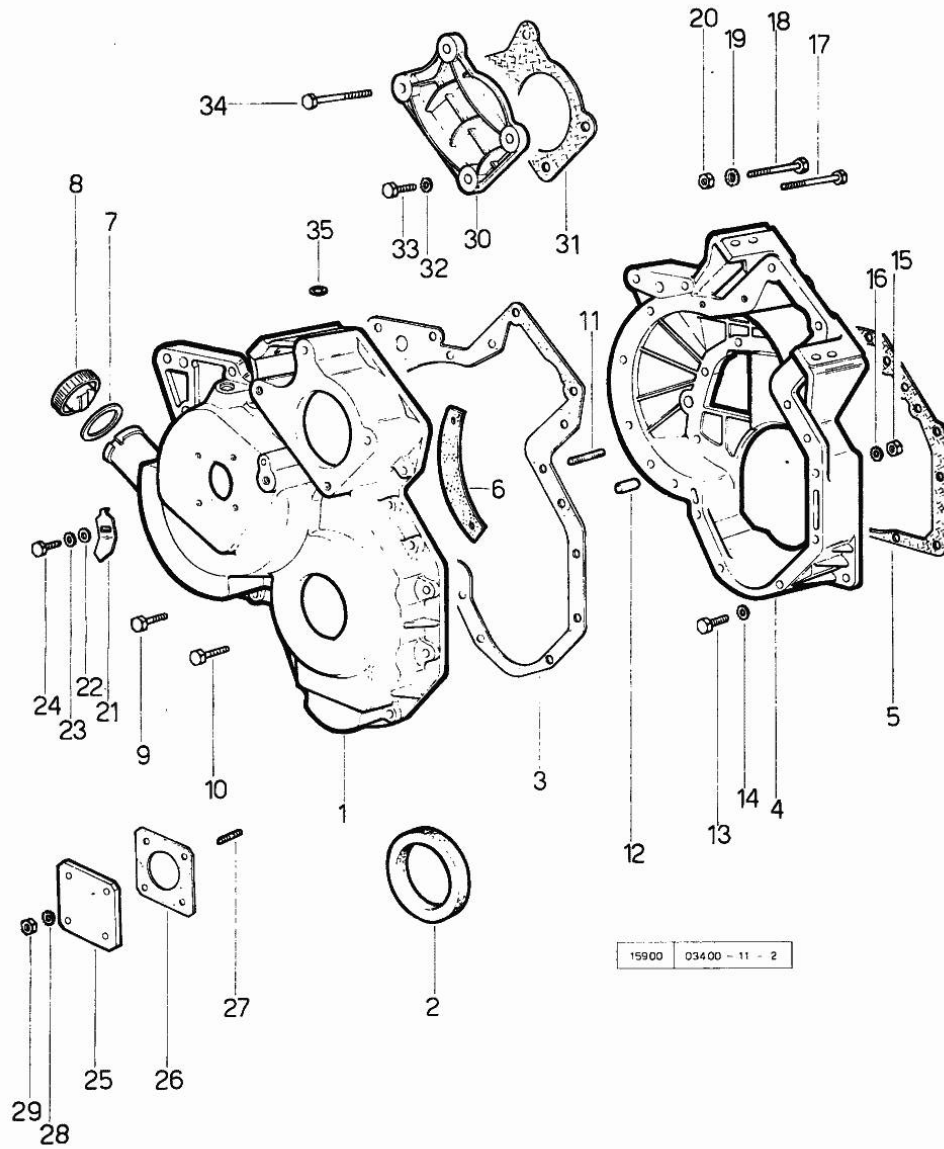


Section: ENGINE
CRANKCASE



| Fig. | P/n | QTY | Name |
|--------------------------------|-----------------|-----|------------------------------------|
| Notes: [Vigneron 35] | | | |
| 0 | 0.034.0050.6/10 | 1 | gasket set FOR ENGINE ASSEMBLY |
| 1 | 0.034.1110.4/30 | 1 | crankcase |
| 2 | 0.004.8776.0 | 1 | support |
| 3 | 0.029.1113.0 | 1 | support |
| 4 | 0.029.1116.0 | 1 | support |
| 5 | 0.021.1157.0 | 4 | stud bolt |
| 6 | 0.029.1117.0 | 2 | stud bolt |
| 7 | 2.1599.144.7 | 6 | shoulder ring 12.5x23x4 |
| 8 | 2.1019.026.7 | 6 | special nut m 12 p.1.5 |
| 9 | 0.036.1120.0 | 2 | cylinder |
| 10 | 2.1589.036.0 | 2 | shim |
| 11 | 2.1569.055.0 | 2 | shim |
| 12 | 2.1589.037.0 | 2 | shim |
| 13 | 0.039.1122.0 | 8 | stud bolt m 12 p.1.5x310 |
| 14 | 0.037.1122.0 | 2 | stud bolt |
| 15 | 0.027.1130.0/20 | 1 | flange |
| 16 | 2.1653.708.0 | 2 | pin 8x18 |
| 17 | 2.1652.911.0 | 2 | cylindrical plug 12x25 |
| 18 | 2.0432.153.1 | 2 | stud bolt m 10 p.1.5 / p.1.25 x 20 |
| 19 | 2.0112.511.1 | 11 | screw m 14 p.2 x 30 |
| 20 | 2.0432.257.1 | 2 | stud bolt m 12 p.1.75 - 1.25 x 30 |
| 21 | 2.1011.207.2 | 2 | nut m 12 p.1.5 |
| 22 | 2.3170.022.1 | 1 | expansion plug 60 |
| 23 | 0.029.1155.2/10 | 1 | plate |
| 24 | 2.1470.002.2 | 2 | lock washer 6 |
| 25 | 2.0112.002.2 | 2 | screw m 6 p.1 x 10 |
| 26 | 2.0432.159.1 | 2 | stud bolt m 10 x 35 |
| 27 | 2.1653.708.0 | 1 | pin 8x18 |
| 28 | 2.1474.010.1 | 2 | spring washer 10 |
| 29 | 2.3130.001.1 | 2 | plug 1/8" gas |
| 30 | 2.3139.001.0 | 2 | plug m 12 p.1.75 |
| 31 | 2.1699.021.0 | 1 | pin 7.8x8x20 |
| 32 | 2.1699.116.0 | 1 | pin |
| 33 | 2.3130.002.1 | 2 | plug 1/4" gas |
| 34 | 2.0432.018.1 | 5 | stud bolt m 8 p.1.25 / p.1 x 65 |
| 35 | 2.0432.003.1 | 18 | stud bolt m 8 p.1.25 / p.1 x 20 |
| 36 | 0.029.1154.0 | 4 | gasket |
| 37 | 2.1011.421.2 | 2 | nut m 10 p.1.25 |

Section: ENGINE
TIMING CASE



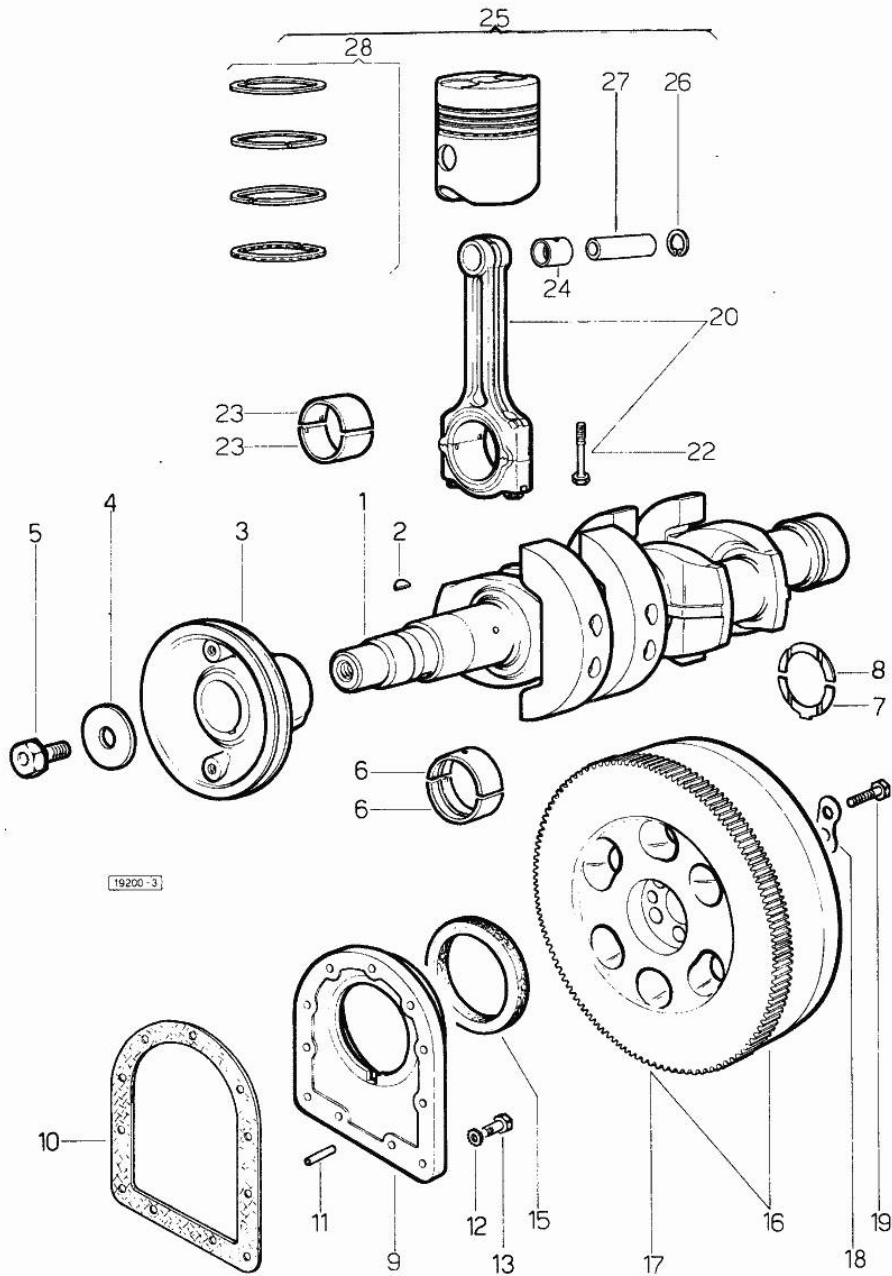
| Fig. | P/n | QTY | Name |
|------|-----|-----|------|
|------|-----|-----|------|

Notes:
[Vigneron 35]

| | | | |
|----|-----------------|----|---------------------------|
| 1 | 0.027.1155.0/30 | 1 | governor housing |
| 2 | 2.1519.010.0 | 1 | special oil seal 58x80x10 |
| 3 | 0.027.1156.0 | 1 | gasket |
| 4 | 0.027.1154.0/30 | 1 | flange |
| 5 | 0.029.1153.0/10 | 1 | gasket |
| 6 | 0.027.1152.0/20 | 1 | small plate |
| 7 | 2.1569.048.0 | 1 | gasket |
| 8 | 0.022.1135.3 | 1 | plug |
| 9 | 2.0122.222.2 | 1 | screw |
| 10 | 2.0122.213.2 | 4 | screw m 8 p.1x35 |
| 11 | 2.0439.060.2 | 3 | stud bolt m 8 p.1.25-1x22 |
| 12 | 2.1653.711.0 | 1 | pin |
| 13 | 2.0112.207.2 | 8 | screw m 8 p 1.25 x 20 |
| 14 | 2.1474.009.1 | 8 | spring washer 8 |
| 15 | 2.1011.405.2 | 15 | nut m 8 p.1 |
| 16 | 2.1474.009.1 | 15 | spring washer 8 |
| 17 | 2.0122.225.2 | 1 | screw m 8 p.1x80 |
| 18 | 2.0122.225.2 | 1 | screw m 8 p.1x80 |
| 19 | 2.1474.009.1 | 2 | spring washer 8 |
| 20 | 2.1011.405.2 | 3 | nut m 8 p.1 |
| 21 | 0.027.1150.0/10 | 1 | index |
| 22 | 2.1310.003.2 | 1 | flat washer 7.4x14 |
| 23 | 2.1470.003.2 | 1 | lock washer 7 |
| 24 | 2.0112.204.2 | 1 | screw m 8 p.1.25x14 |
| 25 | 0.027.1153.0 | 1 | flange |
| 26 | 0.026.1150.0 | 1 | gasket |
| 27 | 2.0439.055.1 | 4 | stud bolt m 6 p.1 x 18 |
| 28 | 2.1470.002.2 | 4 | lock washer 6 |
| 29 | 2.1011.103.2 | 4 | nut m 6 p.1 |
| 30 | 0.029.1163.0 | 1 | small cover |
| 31 | 0.054.1155.0 | 1 | gasket |
| 32 | 2.1474.009.1 | 2 | spring washer 8 |
| 33 | 2.0112.211.2 | 2 | screw m 8 p.1.25 x 30 |
| 34 | 2.0122.229.1 | 2 | screw m 8 x 100 |
| 35 | 2.1530.028.0 | 1 | oil seal 11.91 x 2.62 |

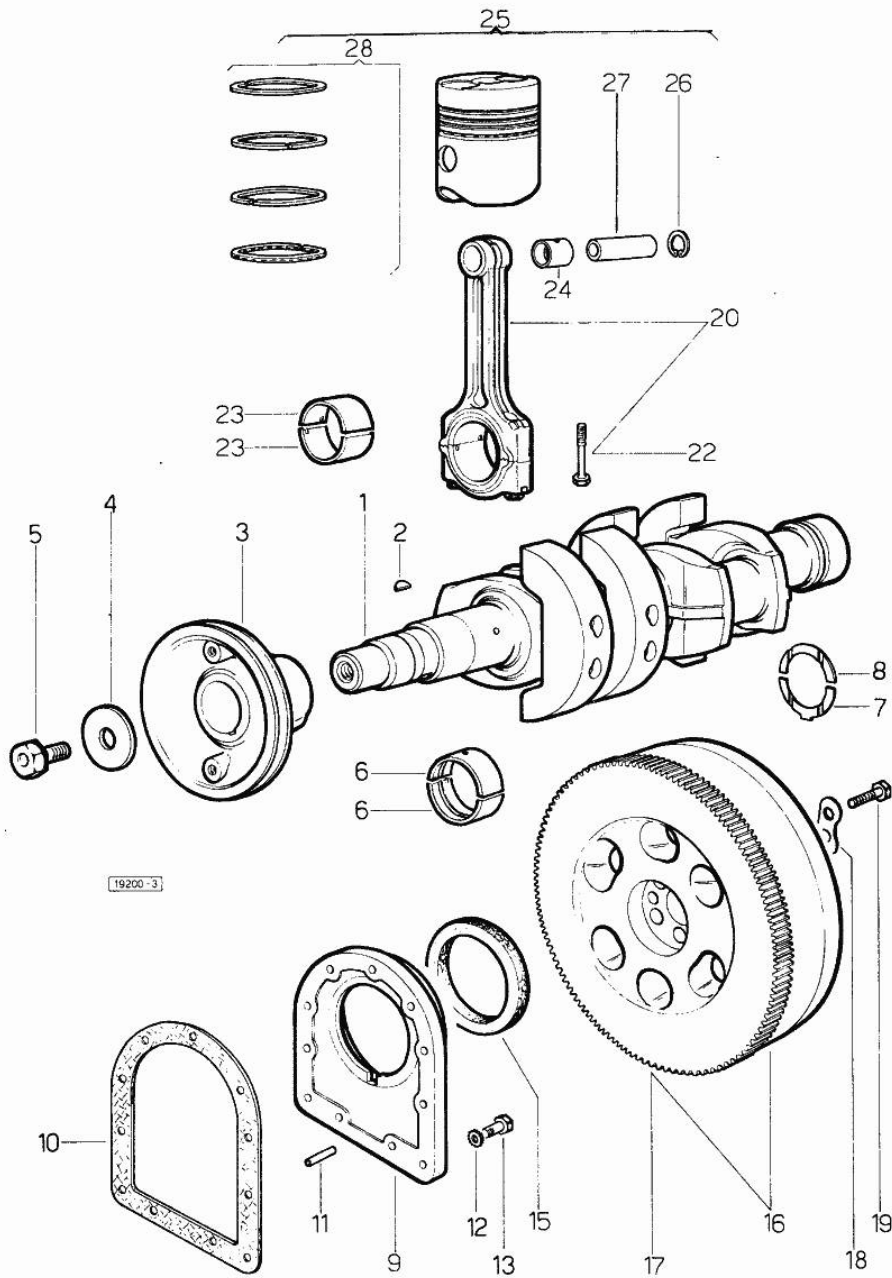
Section: ENGINE

CRANKSHAFT



| Fig. | P/n | QTY | Name |
|---------------|-----------------|-----|---------------------------------|
| Notes: | | | |
| [Vigneron 35] | | | |
| 1 | 0.027.1210.4/30 | 1 | crankshaft |
| 2 | 2.1799.002.0 | 1 | stick 10x13 |
| 3 | 0.034.1244.0 | 1 | old part number |
| 4 | 0.001.6020.0 | 1 | shoulder |
| 5 | 2.0129.032.2 | 1 | screw m 24 p.2x45 |
| 6 | 0.029.0066.0 | | main half bushing - mm 1.00 |
| 6 | 0.029.1215.0/10 | 6 | main half bushing |
| 6 | 0.029.1215.7 | | main half bushing - mm 0.25 |
| 6 | 0.029.1215.8 | | main half bushing - mm 0.50 |
| 6 | 0.029.1215.9 | | main half bushing - mm 0.75 |
| 7 | 0.001.4547.0 | | shoulder ring + mm 0.05 |
| 7 | 0.001.4548.0 | | shoulder ring + mm 0.10 |
| 7 | 0.001.4549.0 | | shoulder ring + mm 0.15 |
| 7 | 0.042.1219.0 | 1 | shoulder ring STANDARD |
| 8 | 0.001.4544.0 | | shoulder ring + mm 0.05 |
| 8 | 0.001.4545.0 | | shoulder ring + mm 0.10 |
| 8 | 0.001.4546.0 | | shoulder ring + mm 0.15 |
| 8 | 0.042.1218.0 | 2 | shoulder ring STANDARD |
| 9 | 0.029.1240.0 | 1 | flange |
| 10 | 0.029.1250.0 | 1 | gasket |
| 11 | 2.1652.915.0 | 2 | cylindrical plug 12x35 |
| 12 | 2.1474.010.1 | 6 | spring washer 10 |
| 13 | 2.0112.309.2 | 7 | screw m 10 p.1.5 x 25 |
| 15 | 2.1529.045.0 | 1 | oil seal |
| 16 | 0.027.1241.3 | 1 | flywheel |
| 17 | 0.038.1242.0 | 1 | crown wheel Z = 120, mm 15 |
| 18 | 2.1379.006.0 | 3 | lock-tab 15x15x36,5 |
| 19 | 2.0122.515.7 | 6 | screw |
| 20 | 0.039.1220.3/20 | 2 | engine connecting rod |
| 22 | 0.039.1250.0 | 4 | screw m 14 p.1.5x63 |
| 23 | 0.039.0068.0 | | con.rod half bushing - mm 1.016 |
| 23 | 0.039.1225.0 | 6 | con.rod half bushing |
| 23 | 0.039.1225.7 | | con.rod half bushing -mm 0.254 |
| 23 | 0.039.1225.8 | | con.rod half bushing -mm 0.508 |
| 23 | 0.039.1225.9 | | con.rod half bushing -mm 0.762 |
| 24 | 0.002.4168.0 | 2 | bearing |
| 25 | 0.036.0060.6 | 2 | complete piston |
| 25 | 0.036.0061.6 | | complete piston + mm 0.5 |
| 25 | 0.036.0062.6 | | complete piston + mm 1.00 |
| 26 | 2.1411.014.1 | 4 | circlip 35 |
| 27 | 0.002.4167.0 | 2 | piston pin |

Section: ENGINE
CRANKSHAFT



| Fig. | P/n | QTY | Name |
|------|--------------|-----|--------------------------|
| 28 | 0.034.0052.6 | 2 | piston ring set |
| 28 | 0.034.0053.6 | | piston ring set + mm 0.5 |
| 28 | 0.034.0054.6 | | piston ring set + mm 1.0 |

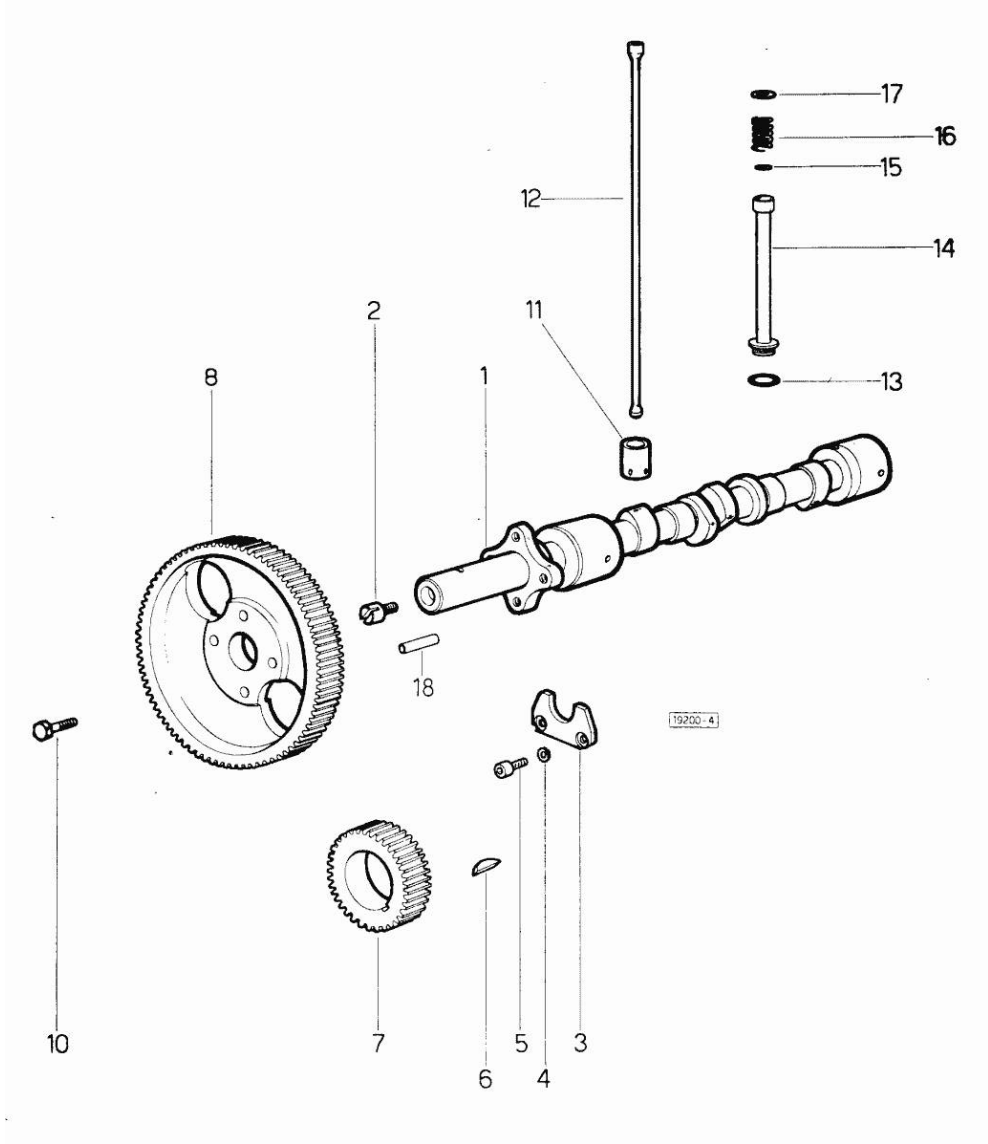
Section: ENGINE

CAMSHAFT

| Fig. | P/n | QTY | Name |
|------|-----|-----|------|
|------|-----|-----|------|

Notes:
[Vigneron 35]

| | | | |
|----|-----------------|---|-----------------------------|
| 1 | 0.027.1351.0/10 | 1 | camshaft |
| 2 | 0.027.1350.0/20 | 1 | pin |
| 3 | 0.027.1314.0 | 1 | flange |
| 4 | 2.1470.004.2 | 2 | lock washer 8 |
| 5 | 2.0312.206.2 | 2 | screw m 8 p 1.25 x 20 |
| 6 | 2.1720.010.0 | 1 | key 5x9 |
| 7 | 0.029.1320.0 | 1 | gear Z = 45 |
| 8 | 0.027.1352.0 | 1 | old part number |
| 10 | 2.0139.006.1 | 4 | screw |
| 11 | 0.002.3909.0 | 4 | tappets |
| 12 | 0.037.1331.0 | 4 | rod |
| 13 | 2.1539.018.0 | 4 | special oil seal |
| 14 | 0.039.1332.0/10 | 4 | sleeve |
| 15 | 2.1539.022.0 | 4 | special oil seal 12.37x2.62 |
| 16 | 2.4019.149.1 | 4 | spring 14x29x2 |
| 17 | 2.1569.037.0 | 4 | gasket |
| 18 | 2.1650.513.0 | 1 | pin 6 x 30 |

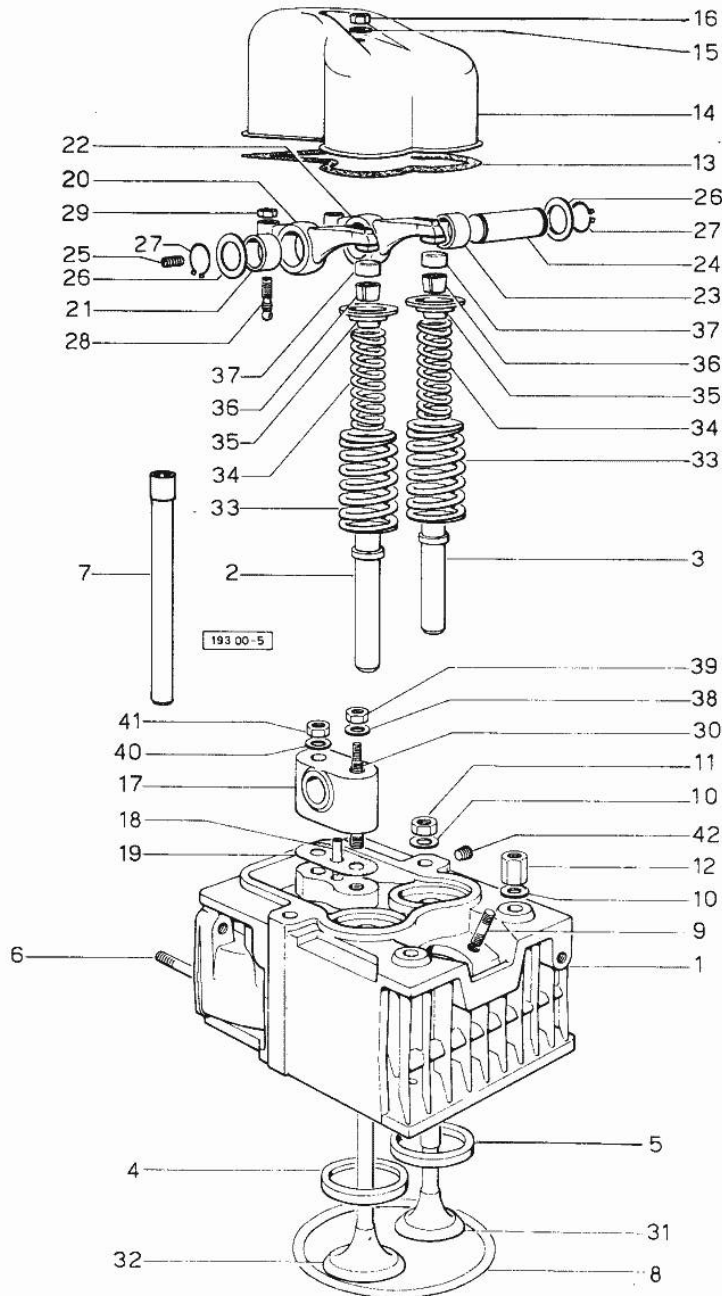


Section: ENGINE
CYLINDER HEAD

| Fig. | P/n | QTY | Name |
|------|-----|-----|------|
|------|-----|-----|------|

Notes:
[Vigneron 35]

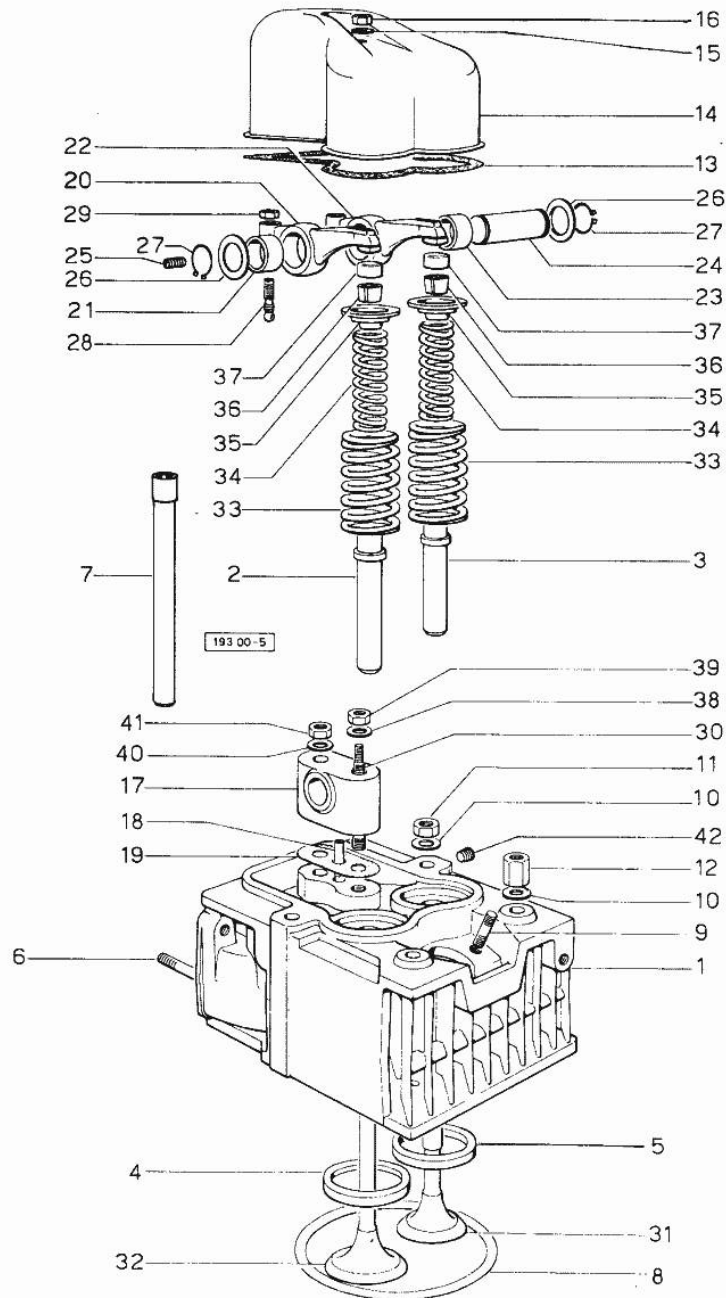
| | | | |
|----|-----------------|---|--|
| 0 | 0.034.0057.6 | 1 | gasket set FOR GRINDING VALVES OF ONE CYLINDER AND PISTON RING RENEWAL |
| 1 | 0.037.1450.3/20 | 2 | engine head |
| 2 | 0.037.1416.0 | 2 | valve guide |
| 3 | 0.037.1417.0/10 | 2 | valve guide |
| 4 | 0.037.1451.0/10 | 2 | valve seat |
| 5 | 0.037.1452.0/10 | 2 | valve seat |
| 6 | 2.0432.003.1 | 4 | stud bolt m 8 p.1.25 / p.1 x 20 |
| 7 | 0.029.1418.0 | 4 | sleeve |
| 8 | 2.1569.056.0/10 | 2 | gasket |
| 9 | 2.0439.087.1 | 4 | stud bolt |
| 10 | 2.1599.144.7 | 8 | shoulder ring 12.5x23x4 |
| 11 | 2.1019.025.7 | 6 | special nut |
| 12 | 2.1019.037.7 | 2 | special nut |
| 13 | 0.029.1450.0 | 2 | gasket |
| 14 | 0.039.1440.0 | 2 | cap |
| 15 | 2.1560.004.0 | 2 | copper gasket 8.2 x 14 |
| 16 | 2.1031.102.2 | 2 | special nut |
| 17 | 0.034.1430.0 | 2 | support |
| 18 | 0.029.1452.0 | 2 | tube |
| 19 | 0.034.1450.0 | 2 | tappet gasket |
| 20 | 002.5937.3/30 | 2 | rocker arm |
| 21 | 2.1559.021.0/40 | 2 | bushing 15x19x22 |
| 22 | 0.002.5936.3/40 | 2 | rocker arm |
| 23 | 2.1559.021.0/40 | 2 | bushing 15x19x22 |
| 24 | 0.029.1431.0 | 2 | pin |
| 25 | 2.0512.102.1 | 2 | screw m 6 p.1 x 8 |
| 26 | 2.1599.019.0 | 4 | shoulder ring 19.5x31x2 |
| 27 | 2.1410.055.1 | 4 | circlip 19 |
| 28 | 0.021.1434.0 | 4 | screw |
| 29 | 2.1011.405.2 | 4 | nut m 8 p.1 |
| 30 | 0.039.1451.0 | 2 | stud bolt |
| 31 | 0.039.1421.0 | 2 | exhaust valve Ø mm 9 |
| 32 | 0.039.1420.0 | 2 | inlet valve |
| 33 | 2.4019.193.0 | 4 | spring 36.15x55.2x3.2 |
| 34 | 2.4019.194.0 | 4 | spring 22.70x50.7x2.1 |
| 35 | 0.002.9215.0 | 4 | cup |
| 36 | 0.002.9193.0 | 8 | conical valve cotter |
| 37 | 0.021.1453.0/20 | 4 | small cover |
| 38 | 2.1310.006.2 | 2 | flat washer 10.5x21 |



Section: ENGINE

CYLINDER HEAD

| Fig. | P/n | QTY | Name |
|------|--------------|-----|-----------------|
| 39 | 2.1011.421.2 | 2 | nut m 10 p.1.25 |
| 40 | 2.1599.160.7 | 2 | flat washer |
| 41 | 2.1099.035.7 | 2 | special nut |
| 42 | 2.3130.001.1 | 2 | plug 1/8" gas |

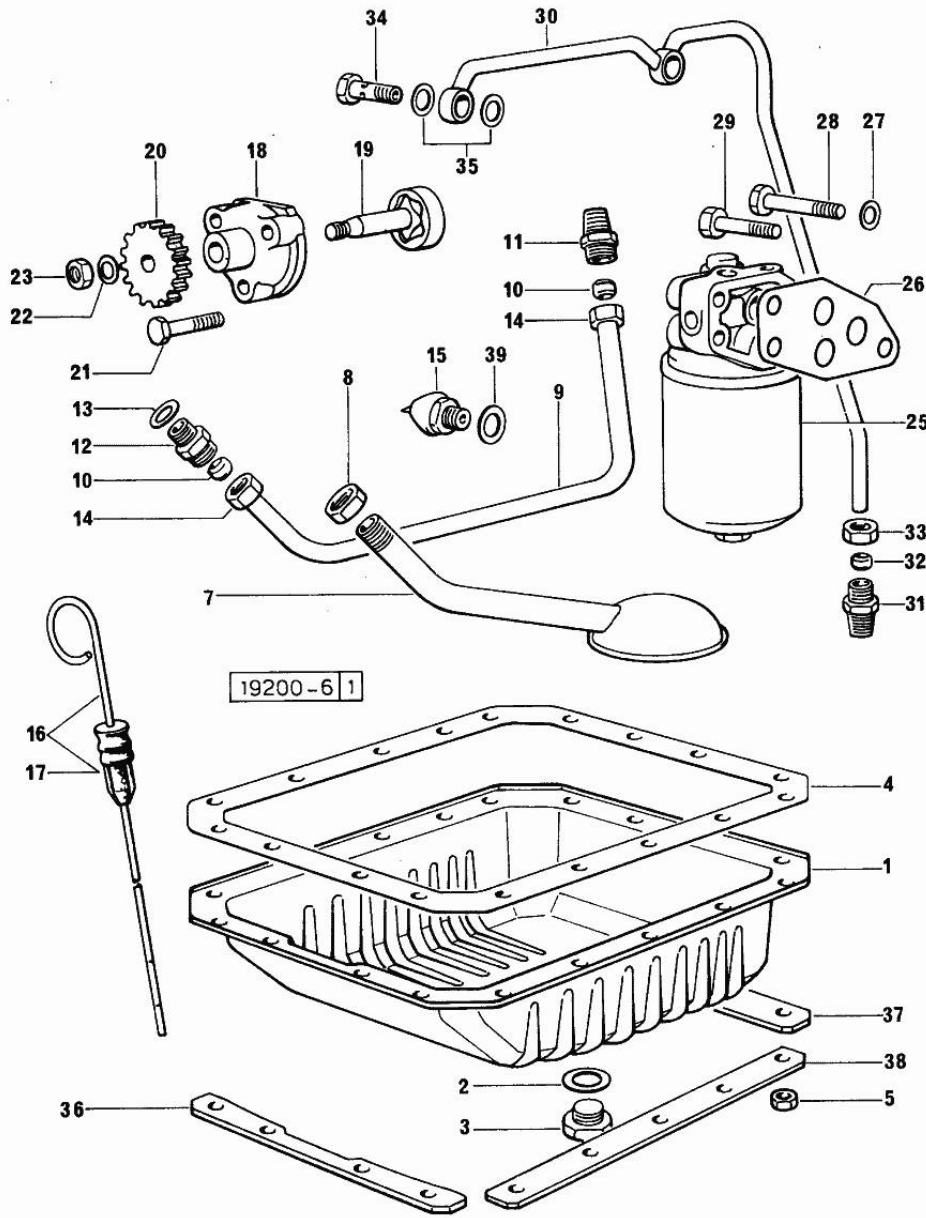


Section: ENGINE
LUBRICATION

| Fig. | P/n | QTY | Name |
|------|-----|-----|------|
|------|-----|-----|------|

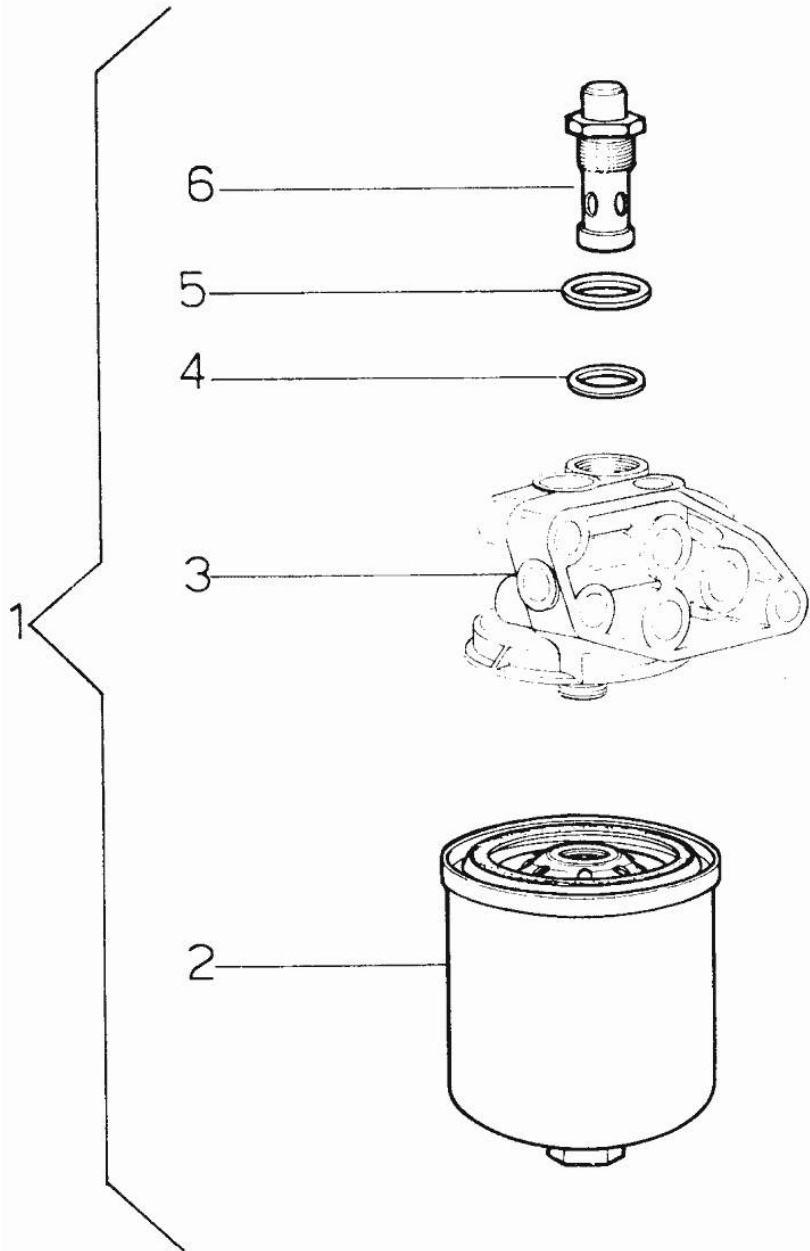
Notes:
[Vigneron 35]

| | | | |
|----|-----------------|----|------------------------------|
| 1 | 0.027.1510.2 | 1 | oil sump |
| 2 | 2.1560.054.0 | 1 | gasket 21 x 26 |
| 3 | 2.3199.001.2 | 1 | plug 1/2" gas |
| 4 | 0.027.1512.2 | 1 | gasket |
| 5 | 2.1011.405.2 | 18 | nut m 8 p.1 |
| 7 | 0.027.1531.3 | 1 | tube |
| 8 | 2.1099.026.1 | 1 | special nut |
| 9 | 0.027.1534.0 | 1 | tube |
| 10 | 2.3359.004.2 | 2 | ring |
| 11 | 2.3319.014.1 | 1 | pipe union |
| 12 | 2.3319.013.1 | 1 | pipe union |
| 13 | 2.1560.013.0 | 1 | gasket 18.2x22 |
| 14 | 2.3369.009.1 | 2 | union nut |
| 15 | 2.7099.040.0/10 | 1 | pressure switch |
| 16 | 0.034.1513.3/10 | 1 | old part number |
| 17 | 0.034.1551.0 | 1 | gasket |
| 18 | 0.027.1520.0 | 1 | pump casing |
| 19 | 0.027.1522.3 | 1 | rotor |
| 20 | 0.029.1521.0/10 | 1 | gear |
| 21 | 2.0112.213.2 | 3 | screw m 8 p.1.25 x 35 |
| 22 | 2.1310.006.2 | 1 | flat washer 10.5x21 |
| 23 | 2.1121.107.2 | 1 | self-locking nut m 10 p 1.25 |
| 25 | 2.4419.240.0 | 1 | oil filter mm 95 |
| | | | ☞ 01.00.6 |
| 26 | 0.037.1552.0/10 | 1 | gasket |
| 27 | 2.1474.010.1 | 3 | spring washer 10 |
| 28 | 2.0112.320.2 | 2 | screw m 10 p.1.5 x 55 |
| 29 | 2.0112.315.2 | 1 | screw m 10 p.1.5 x 40 |
| 30 | 0.034.1536.3 | 1 | tube |
| 31 | 2.3319.002.1 | 1 | pipe fitting |
| 32 | 2.3350.002.1 | 1 | nosepiece 6, d128 |
| 33 | 2.3360.002.1 | 1 | union nut m 10 |
| 34 | 2.3339.001.0 | 2 | pipe fitting m 10 p.1 |
| 35 | 2.1560.006.0 | 4 | gasket 10.2 x 16 |
| 36 | 0.053.1550.0/10 | 1 | small plate |
| 37 | 0.053.1551.0 | 1 | small plate |
| 38 | 0.034.1554.0 | 2 | small plate |
| 39 | 2.1560.008.0 | 1 | gasket 12.2 x 18 |



Section: ENGINE

DETAILS OF OIL FILTER



| Fig. | P/n | QTY | Name |
|------|-----|-----|------|
|------|-----|-----|------|

Notes:
[Vigneron 35]

| | | | |
|---|--------------|---|--------------------|
| 1 | 2.4419.240.0 | 1 | oil filter mm 95 |
| 2 | 2.4419.140.1 | 1 | oil filter element |
| 3 | 0.000.0000.1 | | cannot be supplied |
| 4 | 2.4419.130.3 | 1 | gasket |
| 5 | 2.4419.130.4 | 1 | gasket |
| 6 | 2.4419.130.2 | 1 | valve |

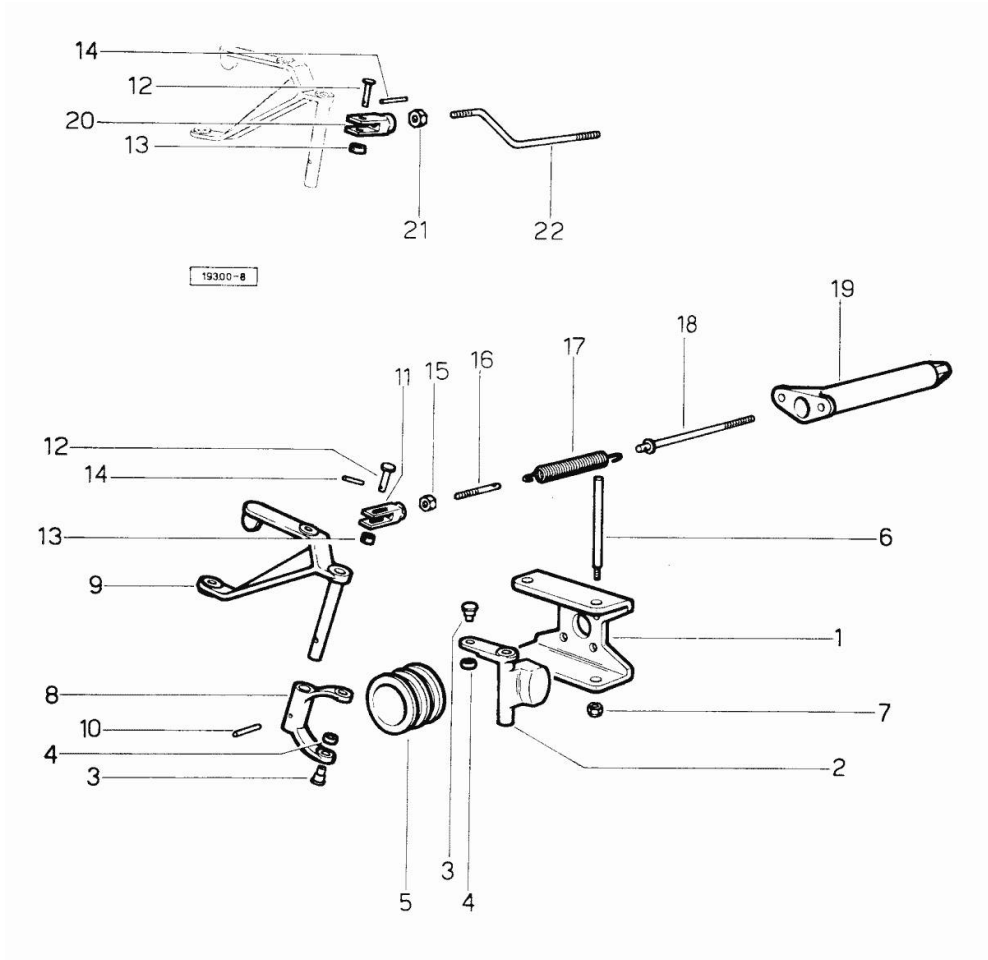
Section: ENGINE

FUEL SUPPLY SYSTEM

| Fig. | P/n | QTY | Name |
|------|-----|-----|------|
|------|-----|-----|------|

Notes:
[Vigneron 35]

| | | | |
|----|--------------|---|-----------------------------|
| 1 | 0.029.1615.0 | 1 | bracket |
| 2 | 0.029.1616.0 | 2 | adjust.rocker |
| 3 | 0.029.1652.0 | 4 | pin |
| 4 | 0.029.1653.0 | 4 | roller |
| 5 | 0.029.1618.0 | 1 | sleeve |
| 6 | 0.029.1617.0 | 2 | pin |
| 7 | 2.1120.105.2 | 2 | self-locking nut m 8 p.1.25 |
| 8 | 0.027.1670.0 | 1 | fork |
| 9 | 0.027.1668.3 | 1 | lever |
| 10 | 2.1631.311.0 | 1 | roll pin 3x24 |
| 11 | 2.3519.004.1 | 1 | fork |
| 12 | 2.1679.018.0 | 2 | pin |
| 13 | 2.1599.109.0 | 2 | shoulder ring |
| 14 | 2.1630.006.0 | 2 | roll pin 2x12 |
| 15 | 2.1011.103.2 | 1 | nut m 6 p.1 |
| 16 | 0.029.1627.0 | 1 | stay |
| 17 | 2.4049.072.1 | 1 | spring |
| 18 | 0.027.1626.3 | 1 | rod |
| 19 | 0.029.1624.0 | 1 | spring holder |
| 20 | 0.000.4699.0 | 1 | fork |
| 21 | 2.1011.103.2 | 2 | nut m 6 p.1 |
| 22 | 0.027.1674.0 | 1 | rod |



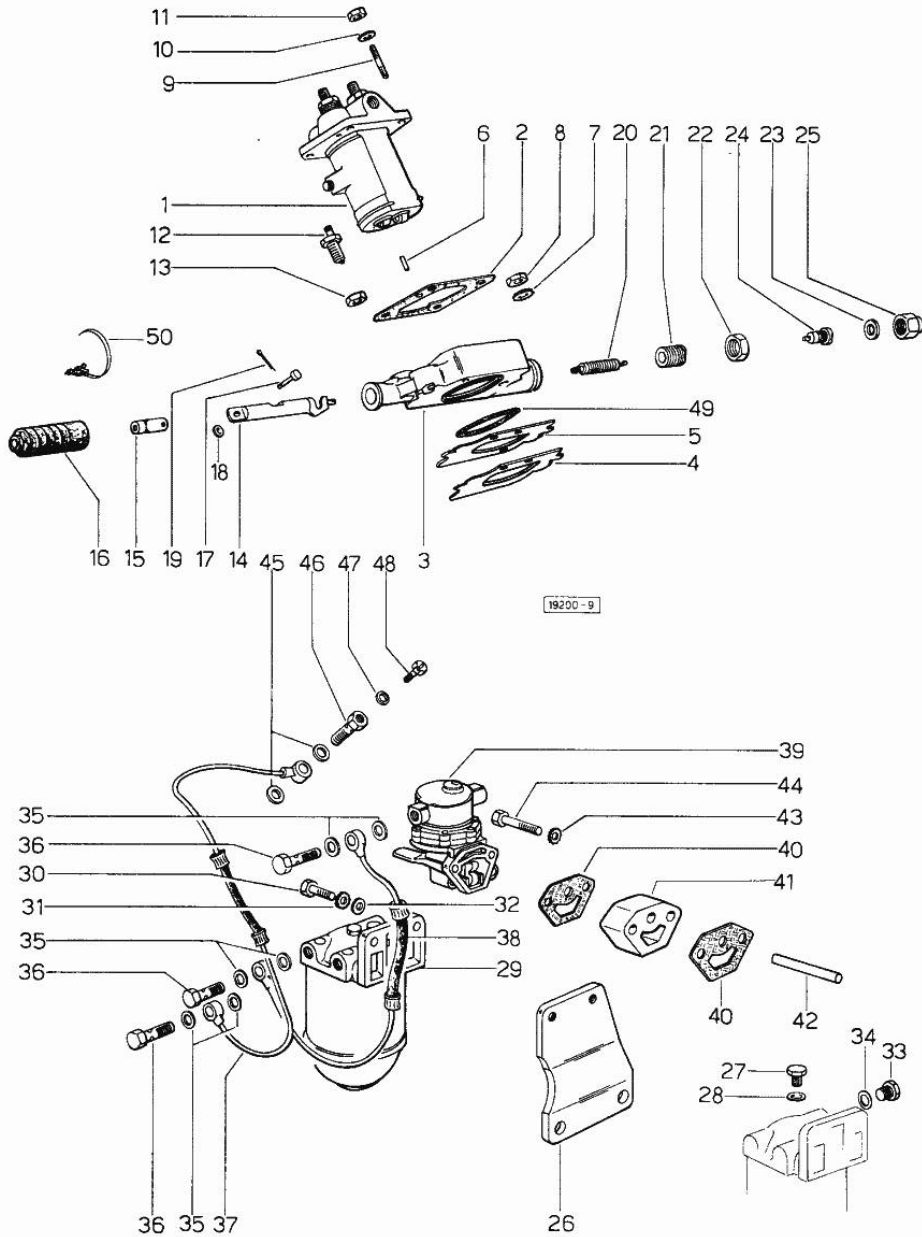
Section: ENGINE

FUEL FEED - INJECTION PUMP

| Fig. | P/n | QTY | Name |
|------|-----|-----|------|
|------|-----|-----|------|

Notes:
[Vigneron 35]

| | | | |
|----|-----------------|---|---------------------------------|
| 1 | 2.4629.150.0 | 1 | injector pump ☞ 01.00.10 |
| 2 | 0.027.1657.0 | 1 | gasket |
| 3 | 0.027.1656.0 | 1 | support |
| 4 | 0.027.1658.0/10 | 1 | shim mm 0.10 |
| 4 | 0.027.1659.0/10 | 1 | shim mm 0.20 |
| 5 | 0.034.1666.0 | 2 | shim mm 0.10 |
| 5 | 0.034.1667.0 | 1 | shim mm 0.20 |
| 6 | 2.1653.306.0 | 1 | pin |
| 7 | 2.1470.006.2 | 2 | lock washer 10 |
| 8 | 2.1011.521.2 | 2 | nut m 10 p.1.25 |
| 9 | 2.0432.003.1 | 4 | stud bolt m 8 p.1.25 / p.1 x 20 |
| 10 | 2.1470.004.2 | 4 | lock washer 8 |
| 11 | 2.1011.405.2 | 4 | nut m 8 p.1 |
| 12 | 0.027.1663.3 | 1 | start device |
| 13 | 2.1099.033.1 | 1 | special nut |
| 14 | 0.027.1660.0 | 1 | rod |
| 15 | 0.000.5620.0 | 1 | fork m 6 |
| 16 | 0.000.5617.0 | 1 | guard |
| 17 | 2.1670.001.2 | 1 | pin 5x14x12 |
| 18 | 2.1599.196.2 | 1 | shoulder ring |
| 19 | 2.1690.106.0 | 1 | split pin |
| 20 | 2.4049.063.1 | 1 | spring |
| 21 | 0.027.1661.0 | 1 | screw |
| 22 | 2.1019.004.1 | 1 | special nut |
| 23 | 2.1560.017.0 | 1 | gasket 22.2 x 27 |
| 24 | 0.027.1662.0 | 1 | pin |
| 25 | 2.1099.045.2 | 1 | special nut |
| 26 | 0.035.1666.0 | 1 | bracket |
| 27 | 2.3119.005.2 | 1 | plug m 10 p.1.5 |
| 28 | 2.1560.006.0 | 1 | gasket 10.2 x 16 |
| 29 | 2.4319.060.0 | 1 | fuel filter ☞ 01.00.11 |
| 30 | 2.0112.311.2 | 2 | screw m 10 p.1.5 x 30 |
| 31 | 2.1470.006.2 | 2 | lock washer 10 |
| 32 | 2.1310.006.2 | 2 | flat washer 10.5x21 |
| 33 | 2.3110.403.1 | 2 | plug m 14 p.1.5x12 |
| 34 | 2.1560.009.0 | 2 | gasket 14.2x18 |
| 35 | 2.1560.009.0 | 2 | gasket 14.2x18 |
| 36 | 2.3332.004.1 | 6 | pipe union m 14 p.1.5 |
| 37 | 0.034.1663.2 | 3 | tube |



Thank you so much for reading.
Please click the “Buy Now!”
button below to download the
complete manual.



After you pay.

You can download the most
perfect and complete manual in
the world immediately.

Our support email:

ebooklibonline@outlook.com