

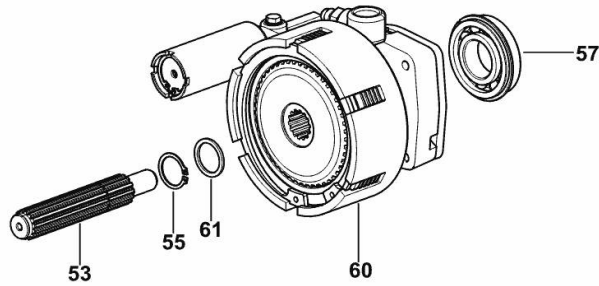
P.T.O. - ELECTROHYDRAULICALLY CONTROLLED HYDRAULIC CLUTCH

Fig.	P/n	QTY	Name
------	-----	-----	------

Notes:

[Virtus J 100 -> ZKDY450200TS10001] -> 10042

53	0.445.3930.0	1	shaft
55	2.1410.009.7	1	circlip 24
57	2.2043.009.0	1	ball bearing 30x62x16
60	0.012.7103.4/50	1	hydraulic PTO clutch ☞ 0.012.7103.4/50
61	2.1599.761.0	1	slewing ring 24x30x2



9_Y5239_00_0-A-002

P.T.O. - CLUTCH-PARTS

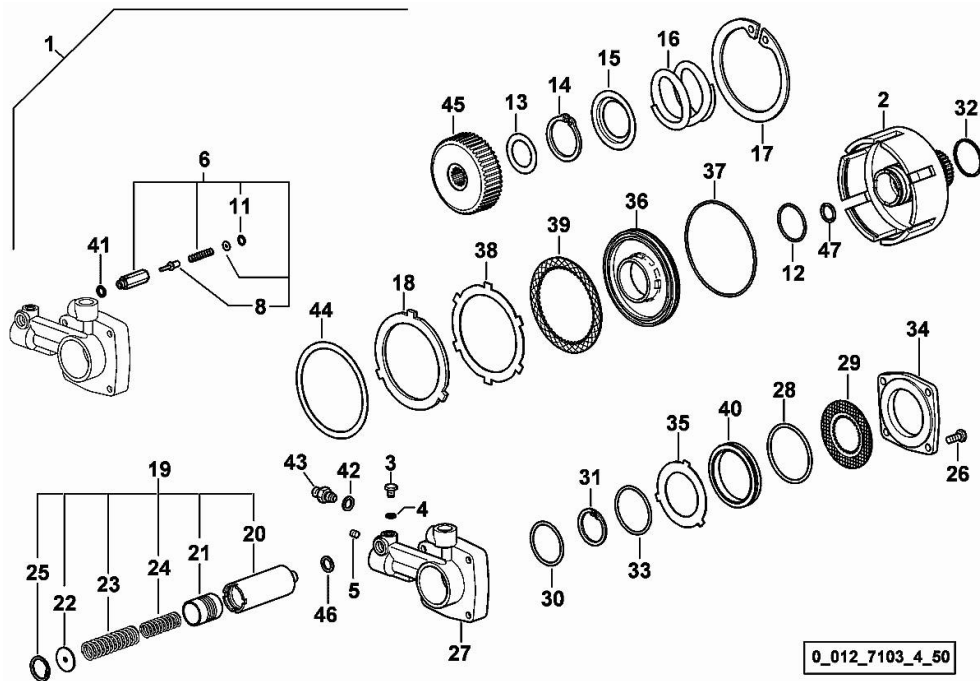


Fig.	P/n	QTY	Name
1	0.012.7103.4/50	1	hydraulic PTO clutch
2	0.008.4043.0/40	1	box
3	2.3110.428.1	1	plug m 8 p.1 x 10
4	2.1560.003.0	1	copper gasket 8.2 x 12
5	2.0512.202.7	1	screw m 8 p.1.25 x 8
6	0.009.2445.4/20	1	valve
8	0.009.2411.0/20	1	slider
11	2.1411.002.1	1	circlip
12	2.1539.067.0	1	special oil seal 44.12x2.72
13	2.1599.415.0	1	shoulder ring 35x52x1
14	2.1419.027.1	1	circlip 48
15	0.255.3933.0	1	disc
16	2.4019.373.1	1	spring 79.5x61.5x6.5
17	2.1419.035.1	1	circlip 127
18	0.255.3969.0/10	1	disc
19	0.010.0526.4/10	1	accumulator P.T.O.
20	0.010.0526.0	1	cylinder
21	0.010.0525.0	1	piston
22	2.1599.241.0	1	shoulder ring
23	2.4019.636.1	1	spring 20.8 x 27.2 x 3.2 x 86.5
24	2.4019.638.1	1	spring 14.2 x 19.4 x 2.6 x 58
25	2.1411.013.7	1	circlip Ø 32
26	2.0342.305.2	4	screw m 8 p.1.25 x 20
27	0.008.3063.0/40	1	spool valve
28	2.1532.505.0	1	oil seal 77.50 x 2.62
29	0.014.0360.2	1	brake disc
30	2.1599.416.0	1	shoulder ring 50x58x1
31	2.1419.027.1	1	circlip 48
32	2.1569.109.0/10	3	gasket 46 x 50 x 2.0
33	2.1532.150.0	1	oil seal 61.60x2.62
34	0.255.3926.0/10	1	cover
35	0.013.8983.0	1	disc mm 1.5
36	0.255.3938.0/40	1	piston
37	2.1539.064.0	1	special oil seal 120.33x2.62
38	0.013.9453.0	5	disc mm 1.75
39	0.255.3970.2/10	5	disc
40	0.255.3922.0/40	1	piston D 84
41	2.1560.005.0	1	copper gasket 10.2 x 14
42	2.1560.008.0	1	gasket 12.2 x 18
43	2.3339.453.2	1	pipe fitting m 12 p.1.25-1/2"
44	2.1599.499.0	1	shoulder ring 110 x 126.5 x 1.2
45	0.008.8806.0/20	1	hub
46	2.1560.010.0	1	gasket 14.2 x 20
47	2.1530.062.0	1	oil seal 23.81 x 2.62

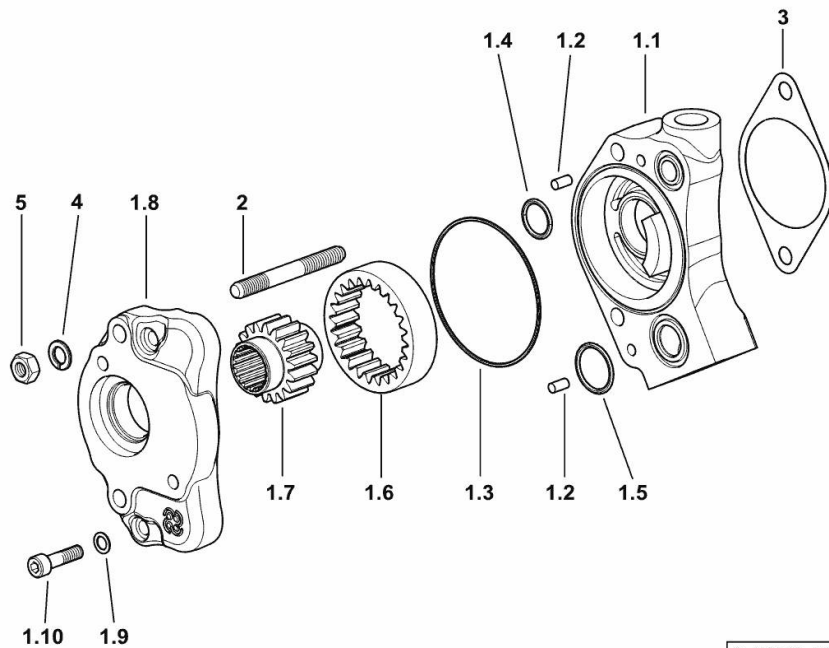
OIL TRANSFER PUMP ASSY.

Fig.	P/n	QTY	Name
------	-----	-----	------

Notes:

[Virtus J 100 -> ZKDY450200TS10001]

1.1	0.015.1087.0/20	1	pump casing
1.2	2.1659.525.0	2	pin
1.3	2.1532.510.0	1	oil seal 88.62x1.78
1.4	2.1531.052.0	1	oil seal 20.29 x 2.62
1.5	2.1531.066.0	1	oil seal 25.07x2.62
1.6	0.015.1093.0/10	1	crown wheel
1.7	0.015.1092.0/10	1	gear
1.8	0.015.1068.0/20	1	flange
1.9	2.1480.014.2	2	washer 8
1.10	2.0312.210.2	2	screw m 8 p 1.25 x 30
2	2.0422.320.7	2	stud bolt m 10 p 1.5 x 15 / m 10 x 75
3	0.255.3953.0/10	1	gasket
4	2.1474.010.2	2	washer 10
5	2.1011.106.2	2	nut m 10 p.1.5



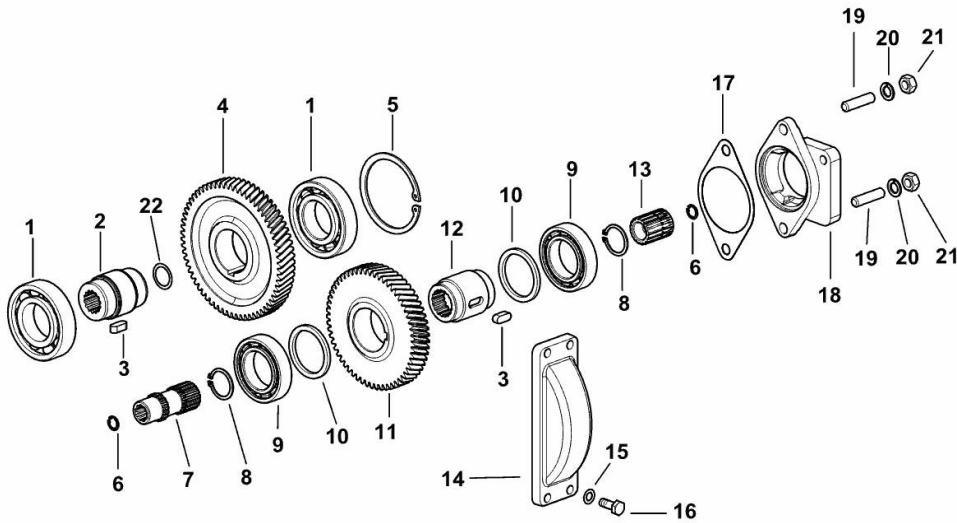
9_H1582_03_0-A-001

PUMP DRIVE

Fig.	P/n	QTY	Name
------	-----	-----	------

Notes:

[Virtus J 100 -> ZKDY450200TS10001] 10001 <-



1	2.2041.015.0	2	ball bearing (-> 10001)
2	0.015.9048.0/20	1	sleeve
3	2.1799.036.0	2	stick 8x7x20
4	0.017.5893.0/10	1	gear
5	2.1411.032.1	1	circlip 80
6	2.1411.003.1	2	circlip 14
7	0.015.1096.0/40	1	sleeve
8	2.1410.011.1	2	circlip 28
9	2.2030.009.0	2	ball bearing iso 40 bc 10
10	2.1599.884.0	2	shim 45x55x4
11	0.017.5896.0/10	1	gear
12	0.013.7789.0/10	1	sleeve Z = 17
13	0.008.4464.0/30	1	sleeve Z = 9 / Z = 17
14	0.255.3134.0/10	1	small cover
15	2.1481.007.1	4	washer 8
16	2.0112.207.2	4	screw m 8 p 1.25 x 20
17	0.255.3953.0/10	1	gasket
18	0.255.3942.0/30	1	flange
19	2.0422.305.7	2	stud bolt m 10 p. 1.5 x 25
20	2.1474.010.2	2	washer 10
21	2.1011.106.2	2	nut m 10 p.1.5
22	2.1530.048.0	1	oil seal 18.72x2.62

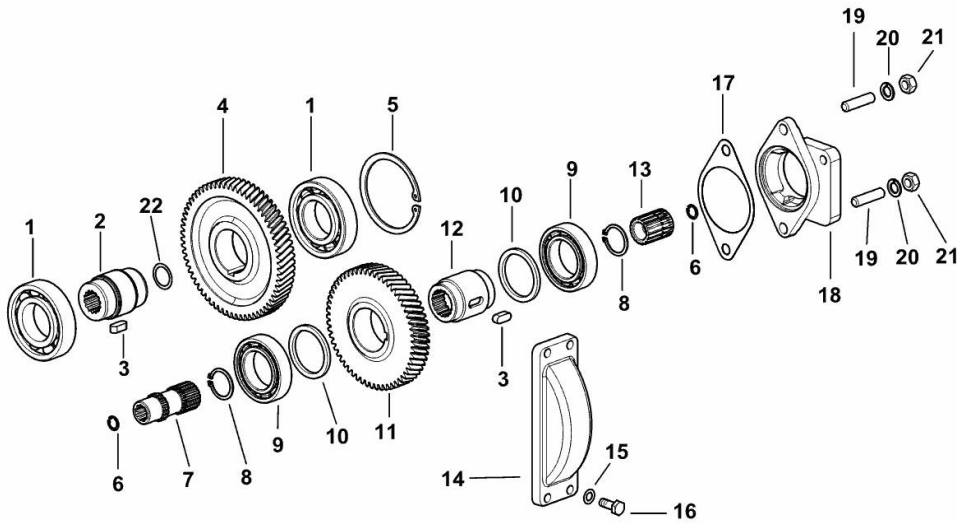
9_R8539_00_0-A-001

PUMP DRIVE

Fig.	P/n	QTY	Name
------	-----	-----	------

Notes:

[Virtus J 100 -> ZKDY450200TS10001] 10001 <-



1	2.2041.015.0	2	ball bearing (-> 10001)
2	0.015.9048.0/20	1	sleeve
3	2.1799.036.0	2	stick 8x7x20
4	0.017.5893.0/10	1	gear
5	2.1411.032.1	1	circlip 80
6	2.1411.003.1	2	circlip 14
7	0.015.1096.0/40	1	sleeve
8	2.1410.011.1	2	circlip 28
9	2.2030.009.0	2	ball bearing iso 40 bc 10
10	2.1599.884.0	2	shim 45x55x4
11	0.017.5896.0/10	1	gear
12	0.013.7789.0/10	1	sleeve Z = 17
13	0.008.4464.0/30	1	sleeve Z = 9 / Z = 17
14	0.255.3134.0/10	1	small cover
15	2.1481.007.1	4	washer 8
16	2.0112.207.2	4	screw m 8 p 1.25 x 20
17	0.255.3953.0/10	1	gasket
18	0.255.3942.0/30	1	flange
19	2.0422.305.7	2	stud bolt m 10 p. 1.5 x 25
20	2.1474.010.2	2	washer 10
21	2.1011.106.2	2	nut m 10 p.1.5
22	2.1530.048.0	1	oil seal 18.72x2.62

9_R8539_00_0-A-001

PUMP DRIVE

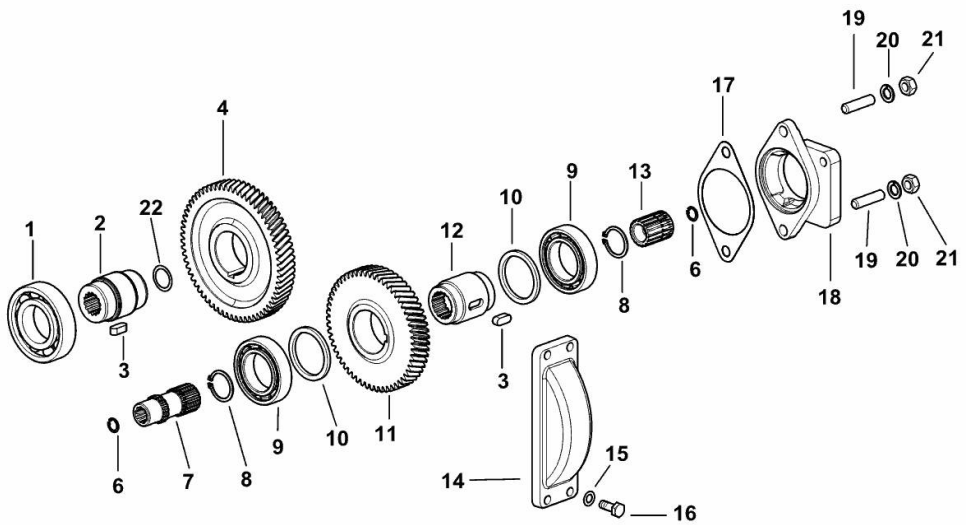


Fig.	P/n	QTY	Name
------	-----	-----	------

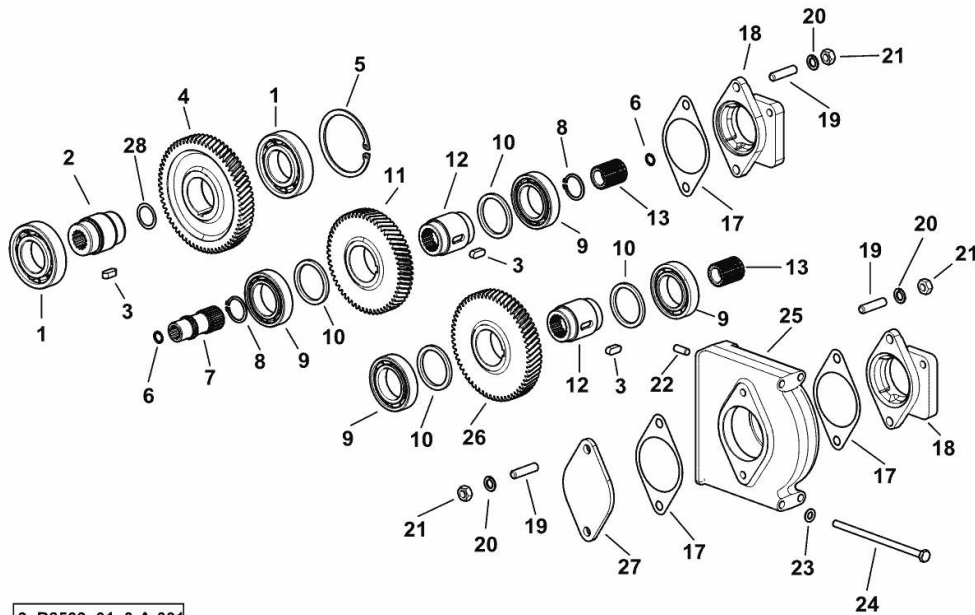
Notes:

[Virtus J 100 -> ZKDY450200TS10001] -> 10002

1	2.2041.015.0	1	ball bearing
2	0.015.9048.0/20	1	sleeve
3	2.1799.036.0	2	stick 8x7x20
4	0.017.5893.0/10	1	gear
6	2.1411.003.1	2	circlip 14
7	0.015.1096.0/40	1	sleeve
8	2.1410.011.1	2	circlip 28
9	2.2030.009.0	2	ball bearing iso 40 bc 10
10	2.1599.884.0	2	shim 45x55x4
11	0.017.5896.0/10	1	gear
12	0.013.7789.0/10	1	sleeve Z = 17
13	0.008.4464.0/30	1	sleeve Z = 9 / Z = 17
14	0.255.3134.0/10	1	small cover
15	2.1481.007.1	4	washer 8
16	2.0112.207.2	4	screw m 8 p 1.25 x 20
17	0.255.3953.0/10	1	gasket
18	0.255.3942.0/30	1	flange
19	2.0422.305.7	2	stud bolt m 10 p. 1.5 x 25
20	2.1474.010.2	2	washer 10
21	2.1011.106.2	2	nut m 10 p.1.5
22	2.1530.048.0	1	oil seal 18.72x2.62

9_R8539_00_0-A-002

ADDITIONAL PUMP ONTROL FOR AUXILIARY SERVICES



9_R8539_01_0-A-001

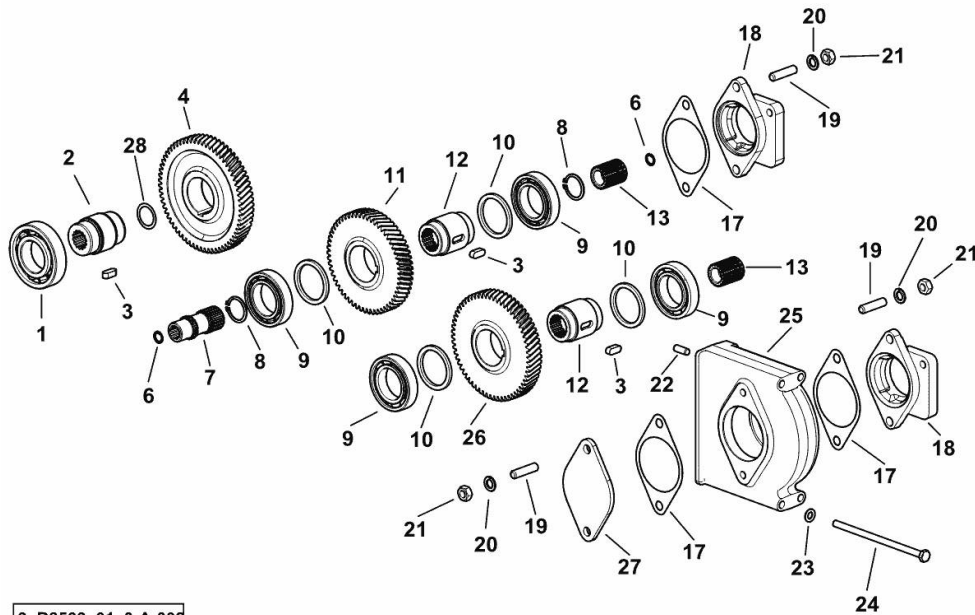
Fig.	P/n	QTY	Name
------	-----	-----	------

Notes:

[Virtus J 100 -> ZKDY450200TS10001]

1	2.2041.015.0	2	ball bearing
2	0.015.9048.0/10	1	sleeve
2	0.015.9048.0/20	1	sleeve
3	2.1799.036.0	3	stick 8x7x20
4	0.017.5893.0/10	1	gear
5	2.1411.032.1	1	circlip 80
6	2.1411.003.1	2	circlip 14
7	0.015.1096.0/40	1	sleeve
8	2.1410.011.1	2	circlip 28
9	2.2030.009.0	4	ball bearing iso 40 bc 10
10	2.1599.884.0	4	shim 45x55x4
11	0.017.5896.0/10	1	gear
12	0.013.7789.0/10	2	sleeve Z = 17
13	0.008.4464.0/30	2	sleeve Z = 9 / Z = 17
17	0.255.3953.0/10	3	gasket
18	0.255.3942.0/30	2	flange
19	2.0422.305.7	6	stud bolt m 10 p. 1.5 x 25
20	2.1474.010.2	6	washer 10
21	2.1011.106.2	6	nut m 10 p.1.5
22	2.1651.709.0	2	pin 8x20
23	2.1475.002.2	4	conical washer 8
24	2.0112.239.2	4	screw m 8 p.1.25 x 150
25	0.016.9821.0/10	1	support
26	0.017.5901.0/10	1	gear
27	0.016.9937.0/10	1	cover
28	2.1530.048.0	1	oil seal 18.72x2.62

ADDITIONAL PUMP ONTROL FOR AUXILIARY SERVICES



9_R8539_01_0-A-002

Fig.	P/n	QTY	Name
------	-----	-----	------

Notes:

[Virtus J 100 -> ZKDY450200TS10001] -> 10011

1	2.2041.015.0	1	ball bearing
2	0.015.9048.0/10	1	sleeve
2	0.015.9048.0/20	1	sleeve
3	2.1799.036.0	3	stick 8x7x20
4	0.017.5893.0/10	1	gear
6	2.1411.003.1	2	circlip 14
7	0.015.1096.0/40	1	sleeve
8	2.1410.011.1	2	circlip 28
9	2.2030.009.0	4	ball bearing iso 40 bc 10
10	2.1599.884.0	4	shim 45x55x4
11	0.017.5896.0/10	1	gear
12	0.013.7789.0/10	2	sleeve Z = 17
13	0.008.4464.0/30	2	sleeve Z = 9 / Z = 17
17	0.255.3953.0/10	3	gasket
18	0.255.3942.0/30	2	flange
19	2.0422.305.7	6	stud bolt m 10 p. 1.5 x 25
20	2.1474.010.2	6	washer 10
21	2.1011.106.2	6	nut m 10 p.1.5
22	2.1651.709.0	2	pin 8x20
23	2.1475.002.2	4	conical washer 8
24	2.0112.239.2	4	screw m 8 p.1.25 x 150
25	0.016.9821.0/10	1	support (10024 <-)
25	0.016.9821.0/20	1	support (-> 10055)
26	0.017.5901.0/10	1	gear
27	0.016.9937.0/10	1	cover
28	2.1530.048.0	1	oil seal 18.72x2.62

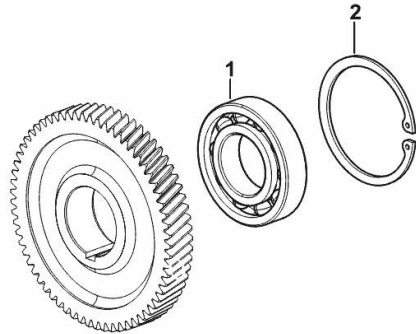
HYDRAULIC PUMP CONTROL

Fig.	P/n	QTY	Name
------	-----	-----	------

Notes:

[Virtus J 100 -> ZKDY450200TS10001] -> 10002 [Virtus J 100 -> ZKDY450200TS10001]

1	2.2041.015.0	1	ball bearing
2	2.1411.032.1	1	circlip 80



9_R8539_02_0-A-001

P.T.O. - 2 SPEED TYPE

9_Y5236_01_0-A-001

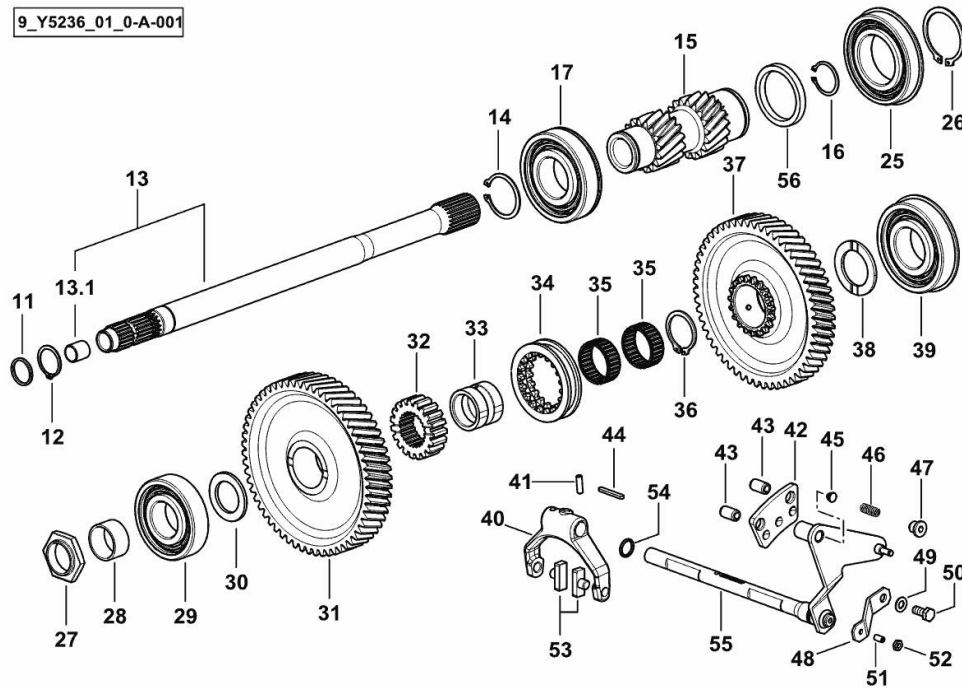


Fig.	P/n	QTY	Name
------	-----	-----	------

Notes:

[Virtus J 100 -> ZKDY450200TS10001]

11	2.1530.062.0	1	oil seal 23.81 x 2.62
12	2.1410.012.7	1	circlip
13	0.020.7506.3	1	shaft
13.1	2.1559.023.0/10	1	special bushing 15.8x19x20
14	2.1410.018.7	1	circlip 45
15	0.021.0838.0	1	gear Z = 16 / 18
16	2.1411.014.1	1	circlip 35
17	2.2063.013.0	1	bearing
25	2.2043.015.0	1	bearing 55 x 100 x 21
26	2.1410.022.1	1	circlip 55
27	0.255.3661.0	1	ring nut m 35x1.5
28	2.1559.228.0	1	special bushing 35 x 40 x 20.5
29	2.2060.012.0	1	ball bearing 40 x 90 x 23
30	2.1599.250.0	1	shoulder ring 35x54x4
31	0.020.7436.0	1	gear Z = 58
32	0.255.3455.0	1	hub Z = 19
33	0.020.7481.0	1	bushing
34	0.255.3438.0/20	1	sleeve Z = 19
35	2.2770.073.0	2	roller cage 40x47x18
36	2.1412.015.7	1	circlip 40x2.5
37	0.021.0830.0	1	gear Z = 55
38	0.255.3450.0	1	shoulder ring 40 x 60 x 3.5
39	2.2062.013.0	1	ball bearing 45x100x25
40	0.007.3487.0	1	fork
41	2.0512.108.7	1	screw m 6 p.1 x 20
42	0.014.8955.0/20	1	small plate
43	2.1630.910.2	2	pin 12 x 20
44	2.1711.011.0	1	stick 5x3x36
45	0.015.1844.0	1	pin
46	2.4019.622.1	1	spring 6.3 x 9.5 x 1.6 x 22.4
47	2.0319.007.2	1	screw m 12 p.1.5
48	0.020.2696.0	1	small plate
49	2.1475.002.2	1	conical washer 8
50	2.0112.206.2	1	screw m 8 p.1.25 x 18
51	2.0532.104.7	1	grub screw m 6 p.1 x 12
52	2.1011.203.2	1	nut m 6 p.1
53	0.255.6463.0	2	shoe
54	2.1530.038.0	1	oil seal 15.54x2.62
55	0.020.7773.2/10	1	lever
56	2.1549.816.0	1	spacer 55x68x8.5

4 SPEED P.T.O.

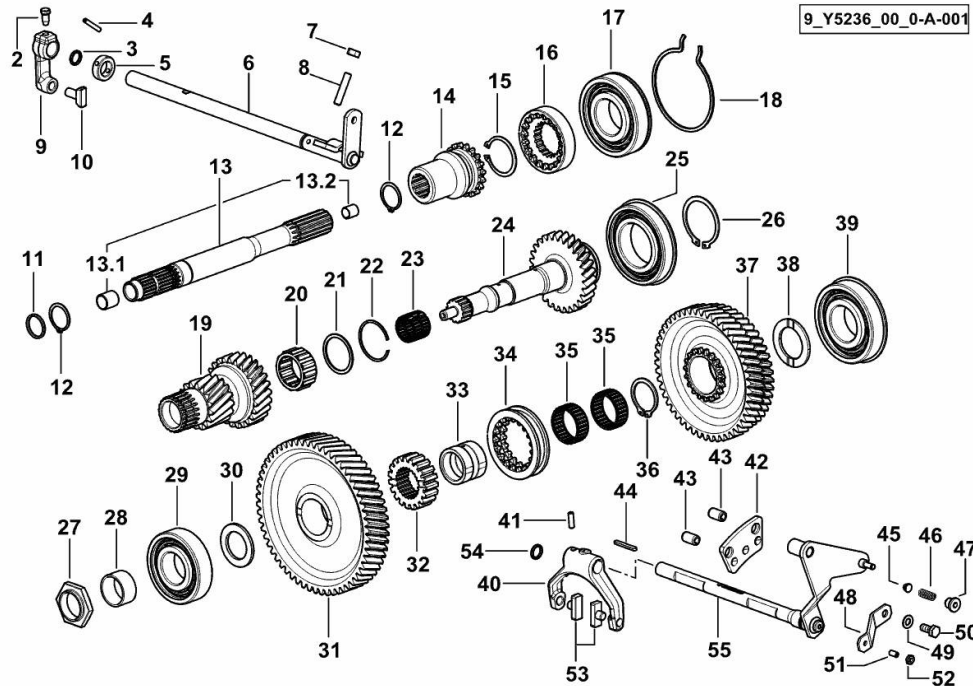


Fig.	P/n	QTY	Name
------	-----	-----	------

Notes:

[Virtus J 100 -> ZKDY450200TS10001]

2	2.0399.019.1	1	screw m 8 p.1 x 16
3	2.1530.033.0	1	oil seal 13.10x2.62
4	2.1631.415.2	1	pin 5x32
5	2.1549.152.2	1	spacer 18.2x30x10
6	0.020.7710.3	1	lever
7	2.1011.105.2	2	nut m 8 p.1.25
8	2.0512.216.2	2	screw m 8 x 40
9	0.007.3492.0	1	small lever
10	0.001.5945.0/10	1	shoe
11	2.1530.062.0	1	oil seal 23.81 x 2.62
12	2.1410.012.7	2	circlip
13	0.020.7505.3	1	shaft
13.1	2.1559.023.0/10	1	special bushing 15.8x19x20
13.2	2.1552.101.0	1	bushing 12 x 14 x 15
14	0.020.7605.0	1	sleeve
15	2.1410.018.7	1	circlip 45
16	0.020.7598.0	1	crown wheel
17	2.2063.013.0	1	bearing
18	2.1499.242.7	1	circlip
19	0.020.7423.0	1	gear Z = 16 / 25
20	2.2770.227.0	1	roller cage
21	2.1549.803.0	1	spacer 49.8x42x2
22	2.1423.038.7	1	circlip 50
23	2.2999.298.0	1	roller cage 28 x 33 x 27
24	0.020.7433.0	1	shaft Z = 28
25	2.2043.015.0	1	bearing 55 x 100 x 21
26	2.1410.022.1	1	circlip 55
27	0.255.3661.0	1	ring nut m 35x1.5
28	2.1559.228.0	1	special bushing 35 x 40 x 20.5
29	2.2060.012.0	1	ball bearing 40 x 90 x 23
30	2.1599.250.0	1	shoulder ring 35x54x4
31	0.020.7436.0	1	gear Z = 58
32	0.255.3455.0	1	hub Z = 19
33	0.020.7481.0	1	bushing
34	0.255.3438.0/20	1	sleeve Z = 19
35	2.2770.073.0	2	roller cage 40x47x18
36	2.1412.015.7	1	circlip 40x2.5
37	0.020.7446.0	1	gear Z = 46 / 49
38	0.255.3450.0	1	shoulder ring 40 x 60 x 3.5
39	2.2062.013.0	1	ball bearing 45x100x25
40	0.007.3487.0	1	fork

Thank you so much for reading.
Please click the “Buy Now!”
button below to download the
complete manual.



After you pay.

You can download the most
perfect and complete manual in
the world immediately.

Our support email:

ebooklibonline@outlook.com