

REAR BRAKES - 2095 009 042

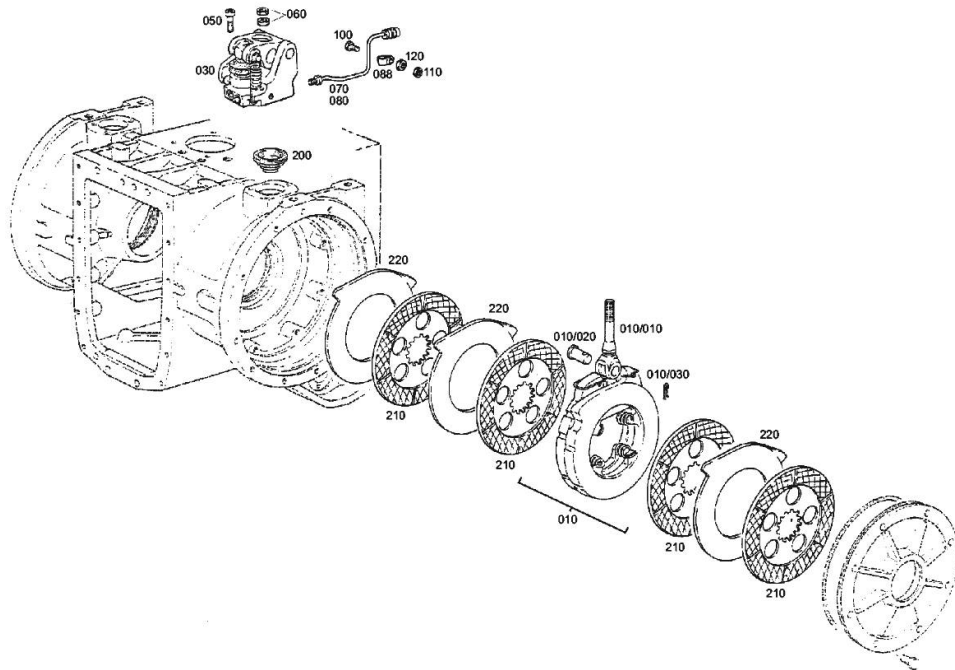


Fig.	P/n	QTY	Name
10	0.900.0800.4	2	transmission brake
10.10	04428551	1	rod
10.20	04435740	1	pin
10.30	04435741	1	split pin
30	0.900.0800.5	2	operation
50	0.900.0469.7	6	screw m 10 x 40
60	04434557	4	nut m 14 p.1.5
70	04428558	1	tube sx/lb/li
80	04428559	1	tube dx/rh/re
88	0.900.0468.2	2	clamp 6x12
100	0.900.0280.1	2	screw m 5 x 25
110	0.900.0470.2	2	nut m 5
120	0.900.0281.6	2	nut
200	0.900.0800.9	2	rubber bushing
210	0.900.0801.2	8	disc
220	0.900.0801.3	6	disc

BRAKE CONTROLS - 2095 009 042

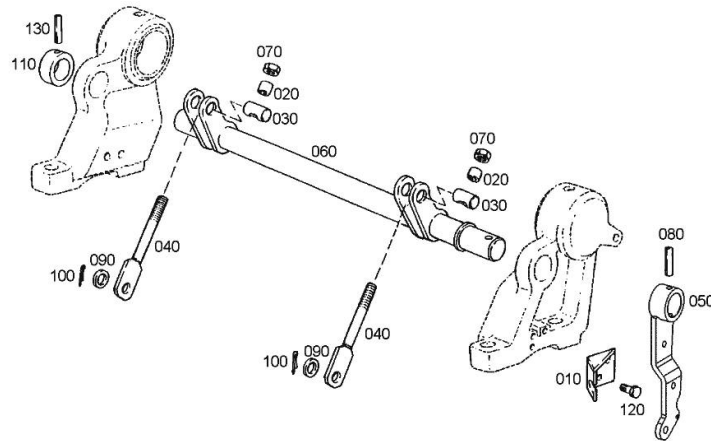
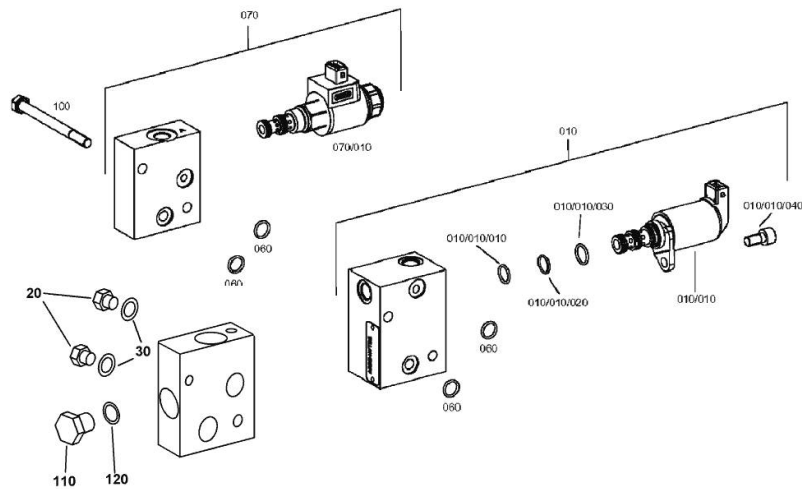


Fig.	P/n	QTY	Name
10	0.010.2901.2	1	support (...) <-
10	0.900.1239.7	1	bracket -> (...)
20	0.010.2902.0	2	bushing (...) <-
20	0.900.1239.8	2	tube -> (...)
30	0.010.2902.1	2	pin (...) <-
30	0.900.1239.9	2	pin -> (...)
40	0.010.3458.2	2	connecting rod (...) <-
40	0.900.1408.4	2	rod -> (...)
50	0.900.0466.8	1	brake lever (...) <-
50	0.900.1240.1	1	lever -> (...)
60	0.900.0955.8	1	shaft (...) <-
60	0.900.1408.5	1	shaft -> (...)
70	0.900.0281.9	2	nut m 12
80	0.010.3459.1	1	roll pin
90	0.900.0466.9	2	washer
100	0.900.0468.1	2	split pin 3.2x18
110	0.010.2904.2	1	ring (...) <-
110	0.900.0957.7	1	ring -> (...) - (...) <-
110	0.900.1240.3	1	spacer -> (...)
120	0.900.0469.4	3	screw m 8 p.1.25 x 20
130	0.010.2901.1	1	pin 6x50 -> (...)
130	0.900.0290.0	1	roll pin (...) <-

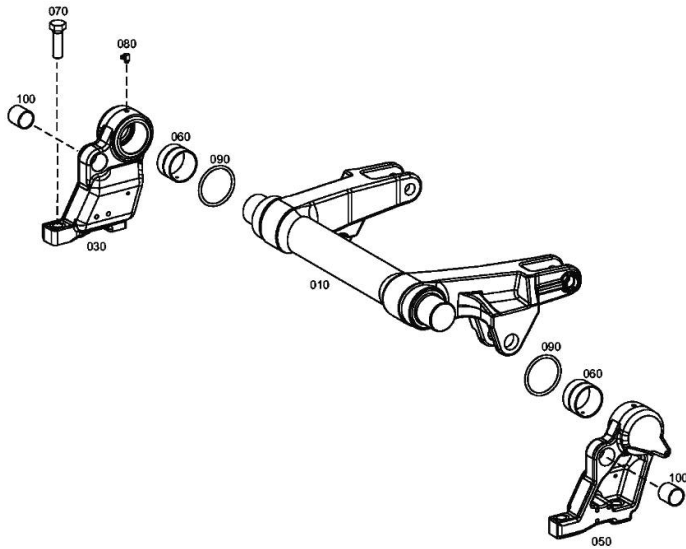
DRIVE FOR GEAR CHANGE BOX - 2095 009 042

Fig.	P/n	QTY	Name
10	0.900.0952.1	1	control
10.10	0.900.0952.8	1	solenoid valve DV
10.10	0.900.1377.5	1	gasket 12,4 x 1,78
10.20	0.900.1377.6	1	gasket 13 x 1.5
10.30	0.900.1377.7	1	gasket 14x1.78
10.40	0.900.1377.8	1	screw m 8 x 16
20	04434512	2	plug m 10 p.1 (...) <-
30	0.900.0290.7	2	circlip (...) <-
60	0.900.0801.4	4	ring 11,3 x 2,4 NBR-70-10
70	0.010.2628.2	1	control (...) <-
70	0.900.0993.3	1	control -> (...) - (...) <-
70	0.900.1363.3	1	small block -> (...)
70.10	0.900.1384.6	1	solenoid valve
100	0.900.1405.5	2	screw m 8x90
110	0.900.0281.0	1	plug m 14 p.1.5 (...) <-
120	04423731	1	oil seal 14 x 18 (...) <-



LIFTING - 2095 009 042

Fig.	P/n	QTY	Name
10	0.900.0824.6	1	shaft
30	0.900.1407.9	1	bearing block dx/rh/re
50	0.900.1408.0	1	bearing block sx/lh/li
60	04417549	2	special bushing
70	0.900.0469.1	4	screw m 20x65
80	04427636	2	grease gun m 8 p.1 x 8
90	04417552	2	ring 78.5x6
100	0.010.3844.1	2	bearing
100	0.900.1431.3	2	bearing (...) <- >- (...)



FRONT TRANSMISSION - 2095 009 042

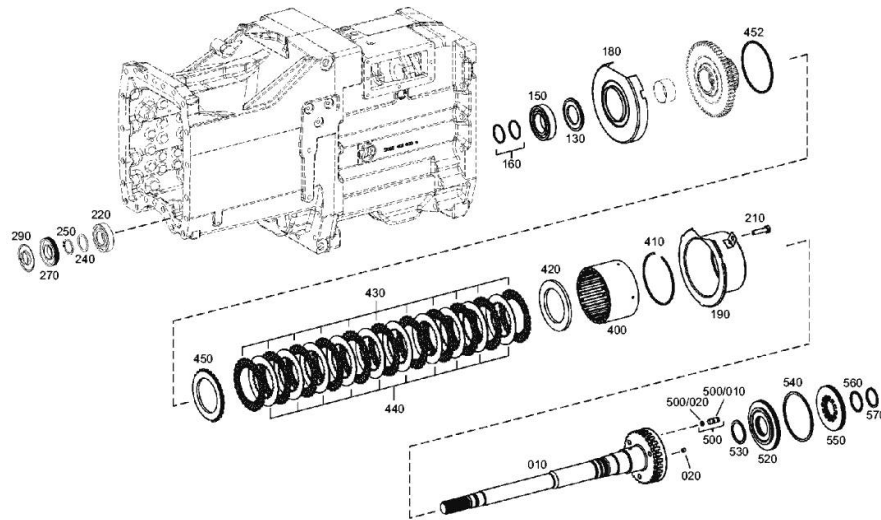


Fig.	P/n	QTY	Name
10	0.010.3440.0	1	secondary shaft Z = 24
20	04416947	1	grub screw m 8x8
130	04416402	1	shim
150	0.900.0498.5	1	ball bearing
160	04416404	2	ring 48x2.5
180	04416405	1	division
190	04416406	1	division
210	04434553	1	screw m 10 x 40
220	04436319	1	ball bearing
240	0.000.0000.1	1	cannot be supplied
240	0.010.3368.1	1	washer mm 2.20
240	0.010.3368.2	1	washer mm 2.40
240	0.010.3392.0	1	washer mm 1.10
240	0.010.3392.1	1	shim mm 1.20
240	0.010.3392.2	1	washer mm 1.30
240	0.010.3393.0	1	washer mm 1.40
240	0.010.3393.1	1	washer mm 1.50
240	0.010.3393.2	1	washer mm 1.60
240	0.010.3394.0	1	washer mm 1.70
240	0.010.3394.1	1	washer mm 1.80
240	0.010.3394.2	1	washer mm 2.00
240	04416581	1	shim mm 1.90
240	04416582	1	shim mm 2.10
240	04416583	1	shim mm 2.30
240	04416584	1	shim mm 2.50
240	04416585	1	shim mm 2.70
240	04416586	1	shim mm 2.90
240	04416587	1	shim mm 3.10
250	01273026	1	circlip 35x2.5
270	04416409	1	ring
290	04416410	1	plate
400	04416605	1	plate carrier z=27
410	0.900.0985.1	1	circlip -> (...)
410	04415928	1	ring (...)<-
420	0.000.0000.1	1	cannot be supplied
420	0.010.2875.2	1	shim mm 7.3
420	04416588	1	shim mm 5.5
420	04416589	1	shim mm 5.7
420	04416590	1	shim mm 5.9
420	04416591	1	shim mm 6.1
420	04416592	1	shim mm 6.3
420	04416593	1	shim mm 6.5

FRONT TRANSMISSION - 2095 009 042

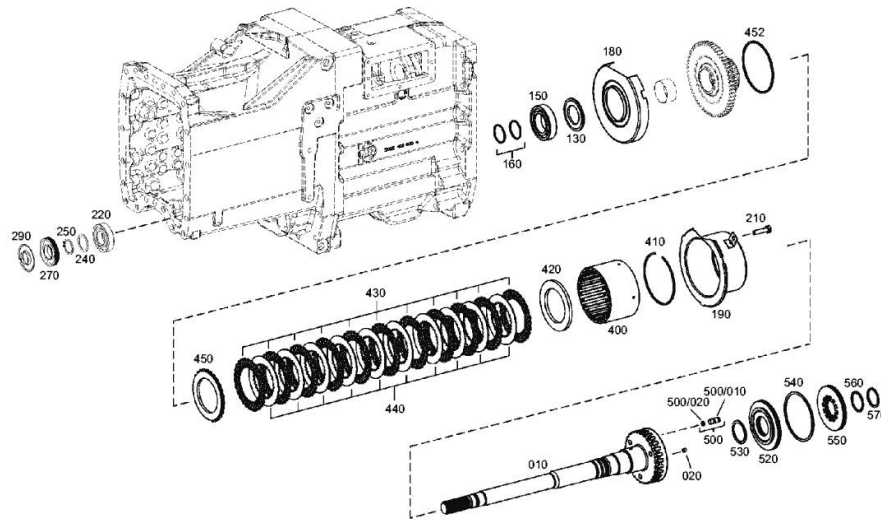
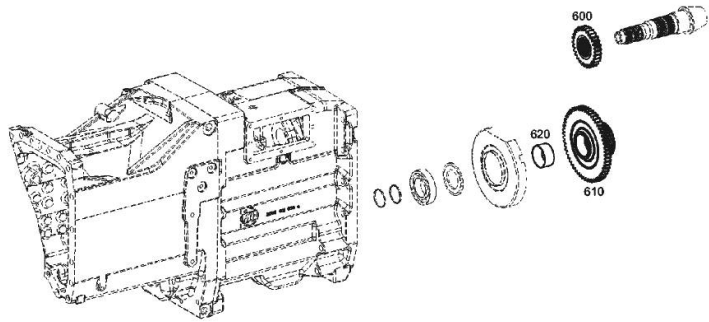


Fig.	P/n	QTY	Name
420	04416594	1	shim mm 6.7
420	04416595	1	shim mm 6.9
420	04416596	1	shim mm 7.1
420	04416597	1	shim mm 7.5
420	04416599	1	shim mm 7.7
420	04416600	1	shim mm 7.9
420	04416601	1	shim mm 8.1
420	04416602	1	shim mm 8.3
420	04416603	1	shim mm 8.5
420	04416604	1	shim mm 8.7
430	04416412	11	disc
440	04416413	10	disc mm 2.0
450	04416414	1	washer
452	04415933	1	circlip mm 2.5
500	0.010.3437.2	3	pin
500.10	04416415	1	pin
500.20	04416416	1	oil seal 7x2.5
520	04423292	1	piston
530	04416418	1	ring
540	04331370	1	ring
550	04416419	1	spring x4
560	04416420	1	shoulder ring
570	0.010.2863.2	1	circlip 45x2.5

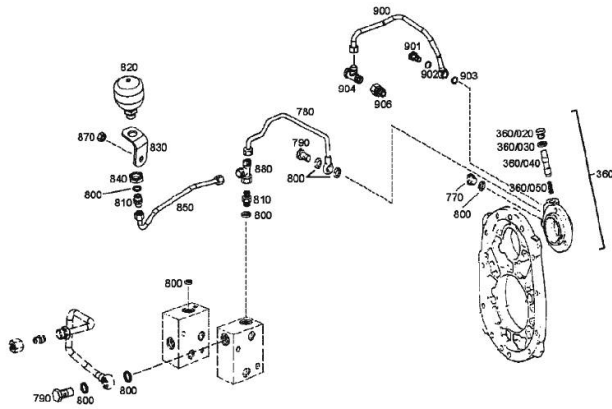
FRONT TRANSMISSION - 2095 009 042

Fig.	P/n	QTY	Name
600	04416781	1	gear Z = 37
610	0.010.3439.2	1	wheel z=75
620	0.010.3340.1	1	bush



P.T.O. SHAFT - 2095 009 042

Fig.	P/n	QTY	Name
360	0.010.3229.0	1	cover
360.20	04417591	1	plug
360.30	04436331	1	oil seal 16 x 20
360.40	04424374	1	piston
360.50	04417367	1	spring
770	0.900.0280.7	1	stop
780	0.010.3455.2	1	pipng
790	0.900.0282.1	2	pipe union
800	04423731	7	oil seal 14 x 18
810	04417466	2	pipe fitting
820	04439224	1	accumulator
830	0.010.3456.0	1	angular
840	0.900.0953.6	1	nut
850	0.900.0490.9	1	tube
870	0.900.0281.4	1	nut m 12
880	04417783	1	pipe fitting
900	0.900.0283.5	1	tube
901	04427560	1	pipe union
902	0.900.0290.6	1	circlip
903	04436331	1	oil seal 16 x 20
904	04431782	1	threaded joint
906	0.900.0282.4	1	pipe union



ROAD P.T.O. SHAFT - 2095 009 042

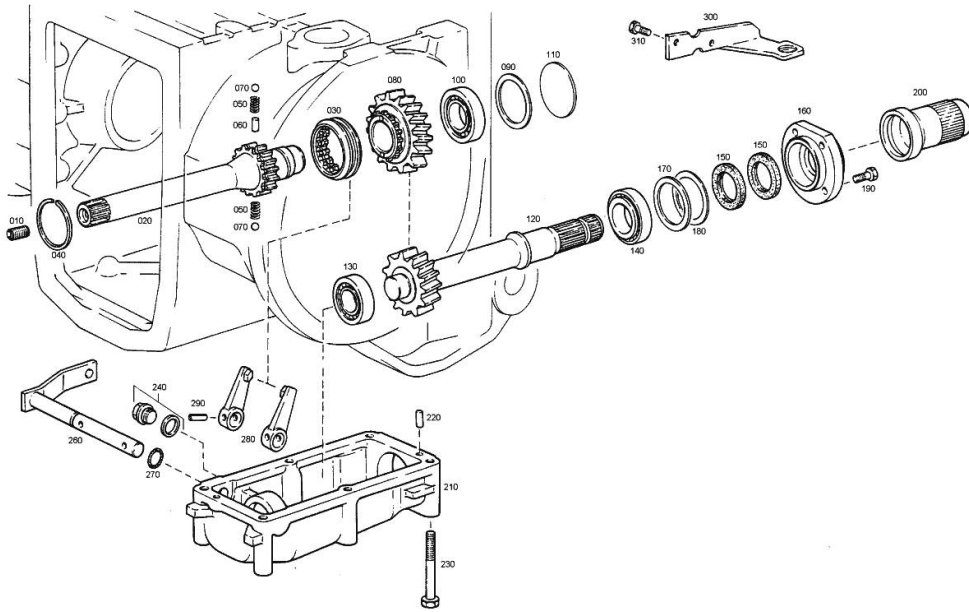


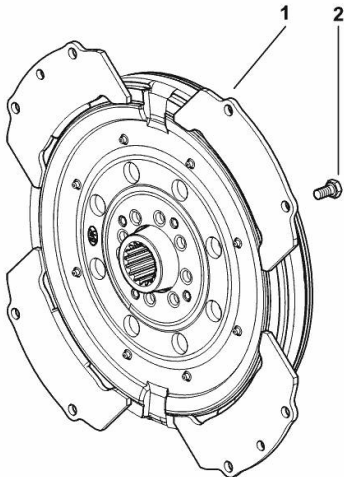
Fig.	P/n	QTY	Name
10	04417486	1	pin
20	04417487	1	transmission shaft
30	04417488	1	sleeve
40	0.900.0278.0	1	circlip
50	04417378	2	spring
60	0.900.0953.2	1	cylindrical plug m 6 x 15
70	04415909	2	ball
80	04417491	1	gear wheel
90	0.000.0000.1	1	cannot be supplied
90	04417360	1	shim s = 0.10
90	04417361	1	shim s = 0.15
90	04417362	1	shim s = 0.40
100	0.900.0279.3	1	roller bearing
110	04417494	1	cover
120	04417495	1	shaft
130	04436234	1	roller bearing
140	04416948	1	bearing
150	04417498	2	ring
160	04417499	1	cover
170	0.010.3343.2	1	small block 55x68x0.5
180	0.010.3343.1	1	small block 55x68x0.1
190	0.900.0291.0	4	screw
200	04417500	1	guard
210	04417501	1	box
220	0.900.0953.2	2	cylindrical plug m 6 x 15
230	0.900.0279.6	6	screw
240	0.010.3847.2	1	stop
260	0.010.3454.1	1	shaft
270	0.900.0278.8	1	oil seal
280	04417505	2	lever
290	0.010.3348.1	2	roll pin 8x26
300	0.010.3455.0	1	plate
310	0.900.0469.5	2	screw m 8 x 100

FLEXIBLE COUPLINGS

Fig.	P/n	QTY	Name
------	-----	-----	------

Notes:
[XM 110 -> ZKDL350200TH10001]

1	04455029	1	flexible coupling
2	2.0114.205.2	8	screw m 8 p.l.25 x 16



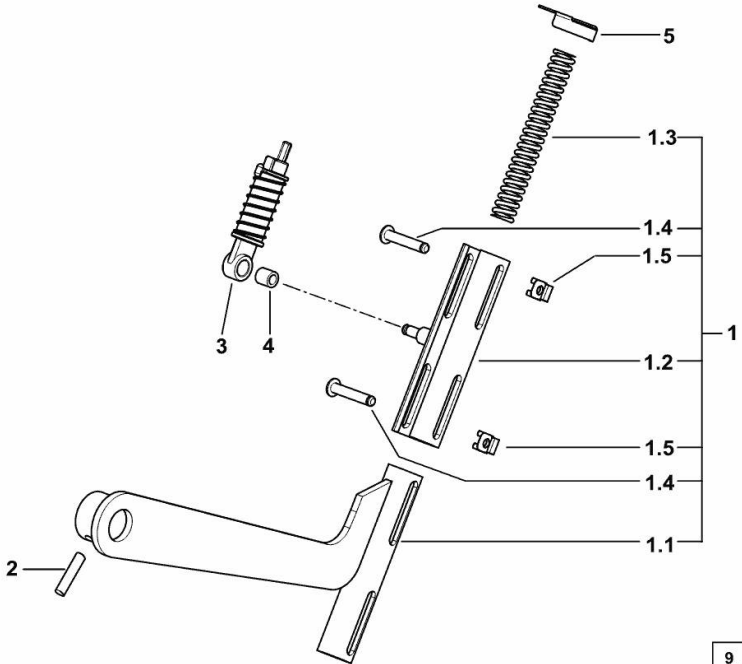
9_A3930_01_0-A-001

SUPER CREEPER - REDUCTION GEAR UNIT CONTROLS

Fig.	P/n	QTY	Name
------	-----	-----	------

Notes:
 [XM 110 -> ZKDL350200TH10001]

1	04453587.4/30	1	lever
1.1	04453287.3/10	1	lever
1.2	04415462.4	1	tube
1.3	04414550	1	spring
1.4	04415461	2	pin
1.5	01175740	2	clip
2	2.1630.752.2	1	pin 8 x 30
3	04415468	1	stop
4	04415469	1	clip
5	04418159	2	circlip

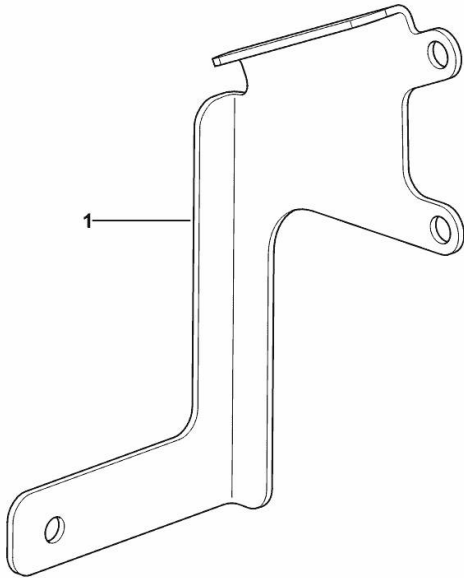


BRACKET

Fig.	P/n	QTY	Name
------	-----	-----	------

Notes:
[XM 110 -> ZKDL350200TH10001]

1	04455291	1	bracket
---	----------	---	---------



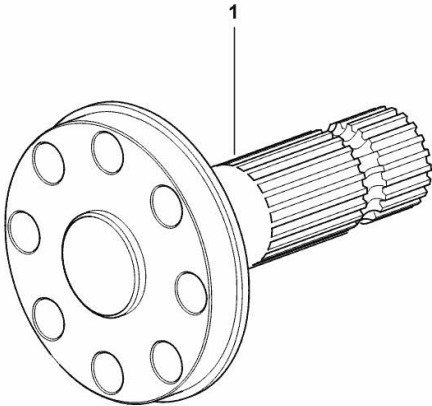
9_B1631_10_0-A-001

PTO OUTPUT SHAFT Z = 21

Fig.	P/n	QTY	Name
------	-----	-----	------

Notes:
[XM 110 -> ZKDL350200TH10001]

1	04413621	1	shaft Z = 21
---	----------	---	--------------



9_B1636_11_0-A-001

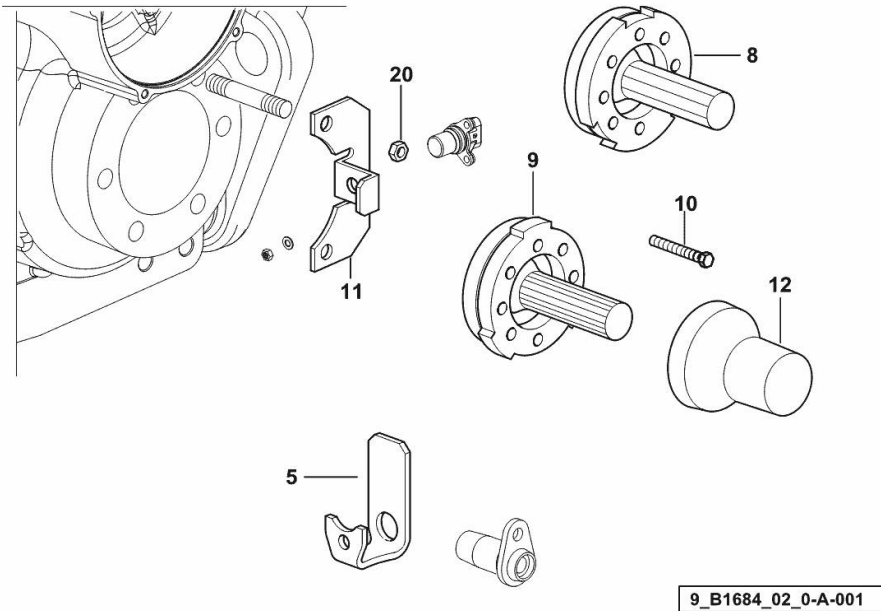
COMPLETION

Fig.	P/n	QTY	Name
------	-----	-----	------

Notes:

- EXPORT U.S.A. [XM 110 -> ZKDL350200TH10001]

5	04418427/10	1	bracket
8	04455065.3	1	power take-off shaft Z = 6
9	04455303.3	1	power take-off shaft Z = 21
10	2.0119.251.2	8	screw m 12 p.1.75 x 60
11	0.012.9605.0/10	1	support
12	0.012.9643.0/20	1	guard
20	2.1011.105.2	2	nut m 8 p.1.25

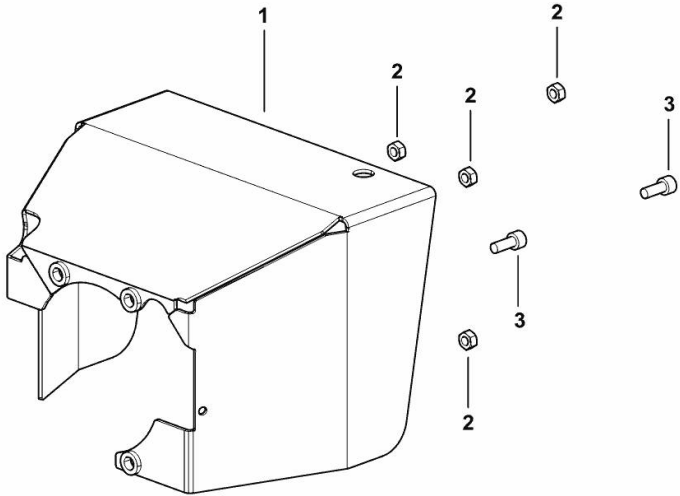


P.T.O. SHAFT PROTECTOR REAR

Fig.	P/n	QTY	Name
------	-----	-----	------

Notes:
 - EXPORT U.S.A. [XM 110 -> ZKDL350200TH10001]

1	0.018.9469.3	1	guard
2	2.1011.105.2	3	nut m 8 p.1.25
3	2.0312.206.2	1	screw m 8 p 1.25 x 20



9_L4736_20_0-A-001

Thank you so much for reading.
Please click the “Buy Now!”
button below to download the
complete manual.



After you pay.

You can download the most
perfect and complete manual in
the world immediately.

Our support email:

ebooklibonline@outlook.com