

# 47, 48, and 49 Backhoe for 4200—4700, 5105 and 5205, 5200—5500, 5210—5510 Tractors

## OPERATOR'S MANUAL 47, 48 and 49 Backhoe OMM135891 E1 (ENGLISH)

CALIFORNIA  
Proposition 65 Warning

Diesel engine exhaust and some of its constituents are known to the State of California to cause cancer, birth defects, and other reproductive harm.

If this product contains a gasoline engine:

 **WARNING**

The engine exhaust from this product contains chemicals known to the State of California to cause cancer, birth defects or other reproductive harm.

The State of California requires the above two warnings.

**John Deere Augusta Works**

LITHO IN U.S.A.

# Introduction

## Foreword

READ THIS MANUAL carefully to learn how to operate and service your machine correctly. Failure to do so could result in personal injury or equipment damage. This manual and safety signs on your machine may also be available in other languages. (See your John Deere dealer to order.)

THIS MANUAL SHOULD BE CONSIDERED a permanent part of your machine and should remain with the machine when you sell it.

MEASUREMENTS in this manual are given in both metric and customary U.S. unit equivalents. Use only correct replacement parts and fasteners. Metric and inch fasteners may require a specific metric or inch wrench.

RIGHT-HAND AND LEFT-HAND sides are determined by facing in the direction of forward travel.

WRITE PRODUCT IDENTIFICATION NUMBERS (P.I.N.) in the Specification or Identification Numbers section. Accurately record all the numbers to help in tracing the machine should it be stolen. Your dealer also needs these numbers when you order parts. File the identification numbers in a secure place off the machine.

WARRANTY is provided as part of John Deere's support program for customers who operate and maintain their equipment as described in this manual. The warranty is explained on the warranty certificate which you should have received from your dealer.

This warranty provides you the assurance that John Deere will back its products where defects appear within the warranty period. In some circumstances, John Deere also provides field improvements, often without charge to the customer, even if the product is out of warranty. Should the equipment be abused, or modified to change its performance beyond the original factory specifications, the warranty will become void and field improvements may be denied. Setting fuel delivery above specifications or otherwise overpowering machines will result in such action.

THE TIRE MANUFACTURER'S warranty supplied with your machine may not apply outside the U.S.

**CALIFORNIA PROPOSITION 65 WARNING: Diesel engine exhaust and some of its constituents are known to the State of California to cause cancer, birth defects, and other reproductive harm.**

DX,IFC1 -19-19SEP00-1/1

## Identification Numbers

Record identification numbers. Be sure to record all the numbers to help in tracing the machine if it is

stolen. You also need to give these numbers to your dealer when you order parts.

OUC1085,0000292 -19-15NOV00-1/2

Introduction

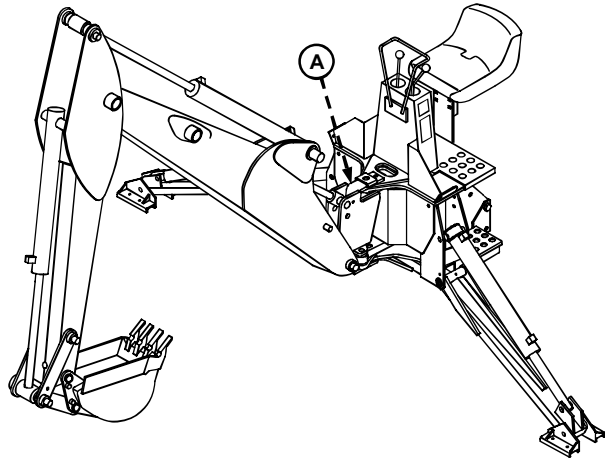
DATE OF PURCHASE:

DEALER NAME:

DEALER PHONE:

SERIAL NUMBER (A):

**A—Serial Number**



LV5660 -UN-18SEP01

OUO1085,0000292 -19-15NOV00-2/2

# Contents

	Page		Page
<b>Safety</b> .....	05-1	Installing Rear Hanger (5105, 5205 Tractors) .....	25-36
<b>Safety Signs</b> .....	10-1	Aligning Frame (5105, 5205 Tractors) .....	25-38
<b>Controls</b>		Preparing Tractor Hydraulics (5105, 5205 Tractors) .....	25-39
Controls .....	15-1	Disassembling Shipping Pallet (5105, 5205 Tractors) .....	25-48
<b>Assembly—47 Backhoe</b>		Installing Subframe to Mainframe (5105, 5205 Tractors) .....	25-50
Preparing Tractor .....	20-1	Preparing Backhoe Hydraulics (5105, 5205 Tractors) .....	25-51
Installing Rockshaft Attachment (RSA) Mounting Plate .....	20-2	Installing Stabilizers and Stabilizer Cylinders ..	25-53
Removing 47 Backhoe from Pallet .....	20-5	Installing Operator's Seat .....	25-55
Assembling 47 Backhoe .....	20-6	Installing Bucket .....	25-56
Attaching Backhoe to Tractor .....	20-9	Installing Optional Street Pad Kit .....	25-57
Avoid High-Pressure Fluids .....	20-11		
Connecting Hydraulic Hoses .....	20-11	<b>Assembly—49 Backhoe</b>	
Installing Stabilizers and Stabilizer Cylinders ..	20-12	Removing 3-Point Hitch .....	30-1
Installing Bucket .....	20-13	Installing Front Hanger .....	30-2
Installing Optional Street Pad Kit .....	20-15	Installing Rear Hanger .....	30-4
		Aligning Frame .....	30-6
<b>Assembly—48 Backhoe</b>		Avoid High-Pressure Fluids .....	30-7
Preparing Tractor (4300, 4400 Tractors) .....	25-1	Preparing Tractor Hydraulics .....	30-7
Installing Rockshaft Attachment (RSA) Mounting Plate (4300, 4400 Tractors) .....	25-2	Disassembling Shipping Pallet .....	30-9
Preparing Tractor (4500—4700 Tractors) .....	25-5	Installing Stabilizers and Stabilizer Cylinders ..	30-10
Installing Rockshaft Attachment (RSA) Mounting Plate (4500—4700 Tractors) .....	25-6	Installing Subframe to Mainframe .....	30-11
Disassembling Shipping Pallet (4300—4700 Tractors) .....	25-22	Preparing Backhoe Hydraulics .....	30-11
Assembling 48 Backhoe (4300—4700 Tractors) .....	25-24	Installing Bucket .....	30-13
Routing Hydraulic Hoses (4300—4700 Tractors) .....	25-29	Installing Optional Street Pad Kit .....	30-14
Attaching Backhoe to Tractor (4300—4700 Tractors) .....	25-31		
Avoid High-Pressure Fluids .....	25-33	<b>Attaching and Detaching—47 Backhoe</b>	
Connecting Hydraulic Hoses (4300—4700 Tractors) .....	25-33	Park Tractor Safely .....	35-1
Removing 3-Point Hitch (5105, 5205 Tractors) .....	25-35	Preparing Backhoe for Attachment .....	35-2
Installing Front Hanger (5105, 5205 Tractors) .....	25-35	Attaching Backhoe .....	35-3
		Avoid High-Pressure Fluids .....	35-4
		Connecting Hydraulic Hoses .....	35-5
		Installing and Removing Slow Moving Vehicle (SMV) Sign .....	35-6
		Preparing Backhoe for Detachment .....	35-7
		Disconnecting Hydraulic Hoses .....	35-8
		Detaching Backhoe .....	35-9

Continued on next page

*All information, illustrations and specifications in this manual are based on the latest information available at the time of publication. The right is reserved to make changes at any time without notice.*

COPYRIGHT © 2000  
DEERE & COMPANY  
Moline, Illinois  
All rights reserved  
A John Deere ILLUSTRATION® Manual

## Contents

	Page		Page
<b>Attaching and Detaching—48 Backhoe</b>		Lifting with Backhoe . . . . .	50-10
Park Tractor Safely . . . . .	40-1	Transporting Backhoe . . . . .	50-11
Preparing Backhoe for Attachment (4300— 4700 Tractors) . . . . .	40-2	<b>Service Machine Safely</b>	
Attaching Backhoe (4300—4700 Tractors) . . . . .	40-3	Practice Safe Maintenance . . . . .	55-1
Avoid High-Pressure Fluids . . . . .	40-4	Handle Chemical Products Safely . . . . .	55-2
Connecting Hydraulic Hose (4300—4700 Tractors) . . . . .	40-5	Wear Protective Clothing . . . . .	55-2
Installing and Removing Slow Moving Vehicle (SMV) Sign (4300 and 4400 tractors) . . . . .	40-8	Stay Clear of Rotating Drivelines . . . . .	55-3
Preparing Backhoe for Detachment (4300— 4700 Tractors) . . . . .	40-9	Avoid Heating Near Pressurized Fluid Lines . . . . .	55-3
Disconnecting Hydraulic Hoses (4300— 4700 Tractors) . . . . .	40-10	Avoid High-Pressure Fluids . . . . .	55-4
Detaching Backhoe (4300—4700 Tractors) . . . . .	40-12	<b>Service</b>	
Park Tractor Safely (5105, 5205 Tractors) . . . . .	40-13	Service Intervals . . . . .	60-1
Avoid High-Pressure Fluids . . . . .	40-14	Help Prevent Injury During Service . . . . .	60-1
Connecting Hydraulic Hoses (5105, 5205 Tractors) . . . . .	40-15	Replacing Bucket Teeth . . . . .	60-2
Attaching and Detaching Backhoe (5105, 5205 Tractors) . . . . .	40-16	Checking Tractor Hydraulic Fluid Level . . . . .	60-2
Installing and Removing Slow Moving Vehicle (SMV) Sign (5105, 5205 Tractors) . . . . .	40-19	Cleaning Inside Valve Covers . . . . .	60-4
Avoid High-Pressure Fluids . . . . .	40-20	Grease . . . . .	60-5
Disconnecting Hydraulic Hoses (5105, 5205 Tractors) . . . . .	40-21	Lubrication Safety . . . . .	60-6
<b>Attaching and Detaching—49 Backhoe</b>		Lubricating Boom and Stabilizers . . . . .	60-7
Park Tractor Safely . . . . .	45-1	Lubricating Bucket and Link Linkage . . . . .	60-7
Avoid High-Pressure Fluids . . . . .	45-2	Lubricating Boom, Dipperstick Cylinders, and Dipperstick Pivot . . . . .	60-8
Connecting Hydraulic Hoses . . . . .	45-3	<b>Troubleshooting</b>	
Attaching and Detaching Backhoe . . . . .	45-4	Using Troubleshooting Chart . . . . .	65-1
Installing and Removing Slow Moving Vehicle (SMV) Sign . . . . .	45-7	<b>Storing Machine</b>	
Avoid High-Pressure Fluids . . . . .	45-8	Storing Machine Safely . . . . .	70-1
Disconnecting Hydraulic Hoses . . . . .	45-9	<b>Specifications</b>	
<b>Operating Machine</b>		Dimensions . . . . .	70-1
Operate Safely . . . . .	50-1	Backhoe Compatibility . . . . .	70-8
Wear Protective Clothing . . . . .	50-1	<b>John Deere Service Keeps You on the Job</b>	
Backhoe Safety Tips . . . . .	50-2	John Deere Quality . . . . .	IBC-1
Adjusting Operator's Seat . . . . .	50-2		
Using Controls . . . . .	50-4		
Digging Safely . . . . .	50-5		
Slow Moving Vehicle (SMV) Sign . . . . .	50-5		
Operating Tractor . . . . .	50-6		
Removing Boom and Swing Lock Pins . . . . .	50-7		
Digging Position . . . . .	50-8		
Digging Angle . . . . .	50-8		
Bucket Digging . . . . .	50-8		
Dipperstick Digging . . . . .	50-9		
Spoil Pile Location . . . . .	50-9		

Thank you so much for reading.  
Please click the “Buy Now!”  
button below to download the  
complete manual.



After you pay.

You can download the most  
perfect and complete manual in  
the world immediately.

Our support email:

[ebooklibonline@outlook.com](mailto:ebooklibonline@outlook.com)