

XERION 5000 TRAC / TRAC VC

XERION 4500 TRAC / TRAC VC

XERION 4000 TRAC / TRAC VC

Operator's Manual

Original Operator's Manual

Validity of manual

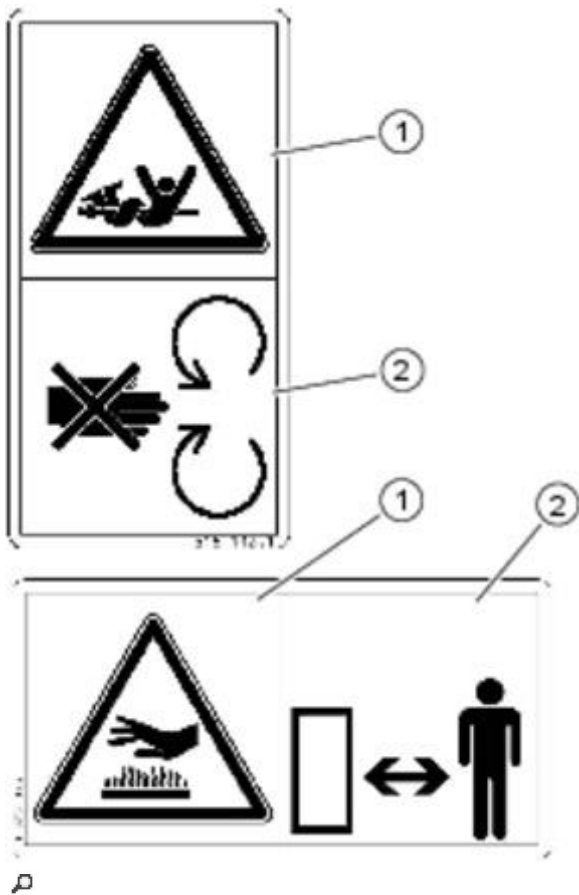
Tractor	Type	Vehicle identification number	
		From	To
XERION 5000 TRAC / TRAC VC	782	782 00021	–
XERION 4500 TRAC / TRAC VC	782	782 00021	–
XERION 4000 TRAC / TRAC VC	782	782 00021	–
XERION 5000 TRAC / TRAC VC	E54	E54 09011	–
XERION 4500 TRAC / TRAC VC	E54	E54 09011	–
XERION 4000 TRAC / TRAC VC	E54	E54 09011	–

Checking and charging the battery

Improper handling of the battery, e.g. by accidentally connecting the battery terminals with a metal object may make the battery explode. Persons may be seriously injured and suffer burns. The battery produces detonating gas, e.g. by long battery charging. A spark may ignite the detonating gas. Persons may be injured by the explosion and suffer chemical burns from battery acid splashing around.

- ▶ Use a suitable voltmeter for checking the battery condition.
- ▶ Follow the instructions for charging the battery outside of the tractor.
Assist-starting
- ▶ Keep fire, sparks and open light away from the battery.
- ▶ Transport the battery only in upright position so that no acid can escape.

Layout of safety decals



The hazard points on the machine are marked by safety decals.

	Designation
1	Pictograph: Shows the type and source of the hazard and possible consequences.
2	Pictograph: Shows how the hazard can be avoided by proper behaviour.

The positions and meanings of the safety decals are described in this Operator's Manual.

Engine

- If safety decals cannot be understood, please contact CLAAS.

Engine



00 0515 133 0



D

Do not open or remove safety devices during machine operation.



00 0515 138 0



p

Keep a sufficient distance from hot surfaces.

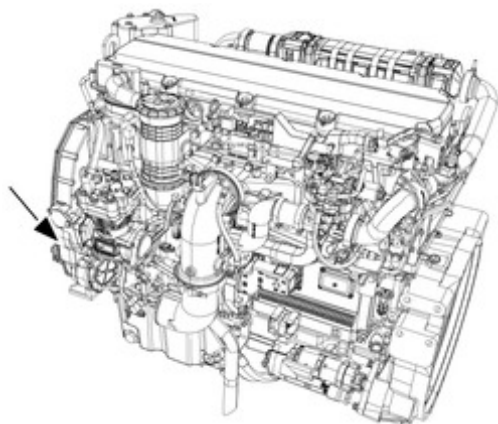


00 0515 135 0

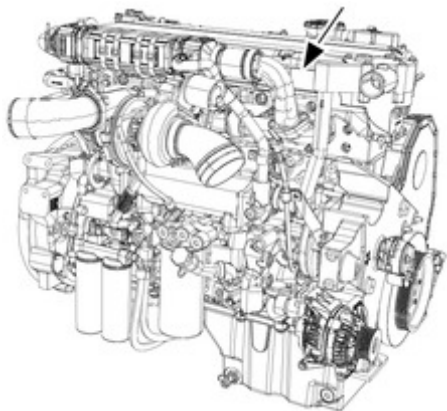


p

Start the engine only from the driver's seat.



p



⤵

293-9659 1



⤵

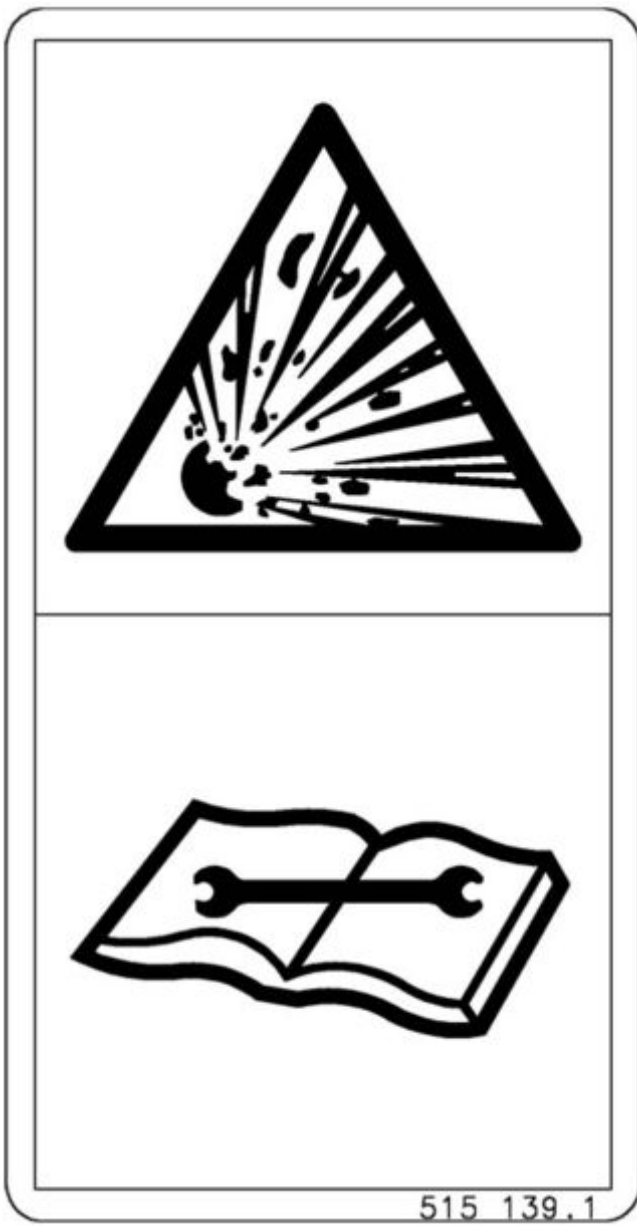
Warning!

Put this system into operation and start working on it only after the instructions and warnings in the Operator's Manual have been read and understood. Failing to follow the instructions or to observe the warnings involves danger of injury or mortal danger.

Brake



00 0515 139 1



Accumulators are under gas and oil pressure. Remove and repair only according to the instructions in the Repair Manual.

Power lift



00 0516 061 0



⚠

When actuating the power lift, stay outside of the lifting range of the three-point hitch.



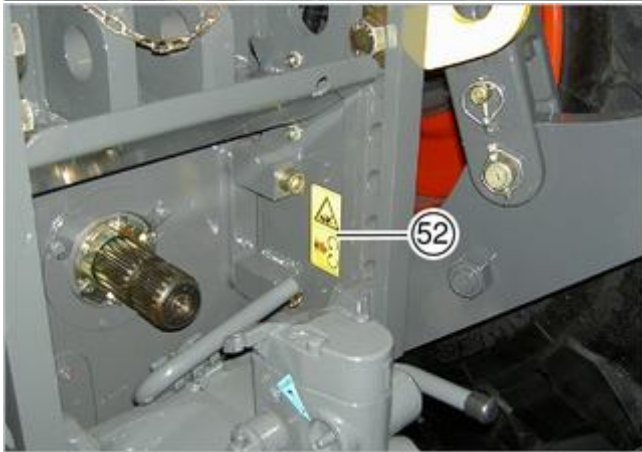
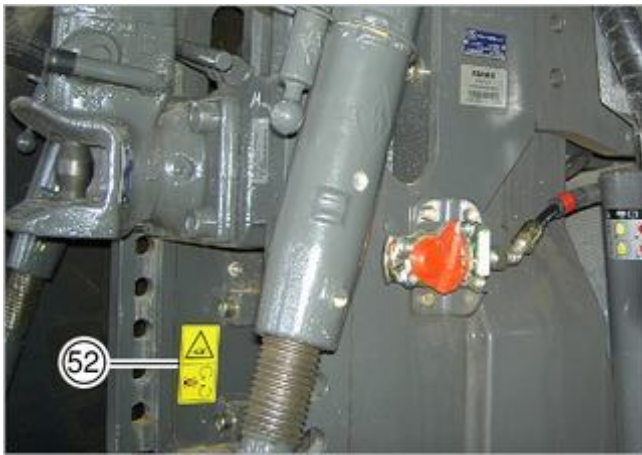


00 0516 062 0



When actuating the power lift, stay outside of the lifting range of the three-point hitch.

Drives



00 0515 143 1

Buy Now



Our support email:

ebooklibonline@outlook.com