

TORION 1511

TORION 1410

TORION 1177

Operator's Manual

Genuine Operator's Manual

Validity of manual

Wheel loader	Type	Vehicle identification number	
		From	To
TORION 1511	K57	K57 00011	–
TORION 1410	K56	K56 00011	–
TORION 1177	K55	K55 00011	–

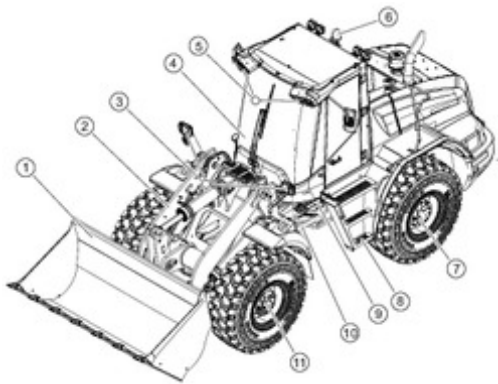
Information about this Operator's Manual

Read this Operator's Manual thoroughly in order to make yourself familiar with safe and correct operation, maintenance and transportation of the machine. This avoids injuries and machine damage. If you cannot understand parts of the Operator's Manual, contact a CLAAS Sales Partner.

This Operator's Manual is part of the machine and must be handed over to the buyer of the machine in case of resale. In case of loss or damage, the Operator's Manual and the safety decals applied to the machine can be reordered from a CLAAS Sales Partner. This Operator's Manual is also available in other languages.

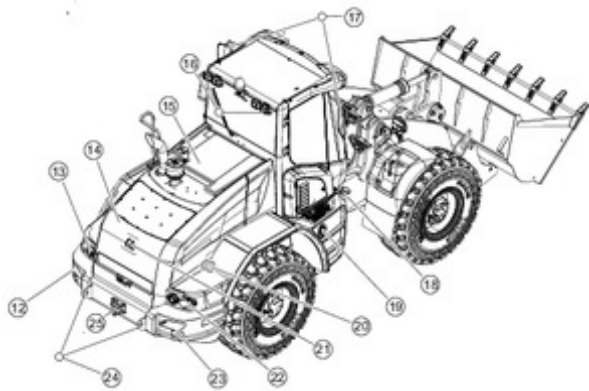
Directions such as front, rear, right and left refer to the direction of forward travel.

Overview of the wheel loader



⌘

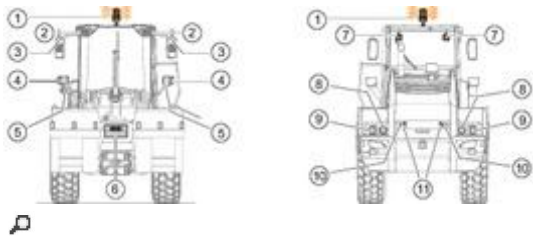
	Designation		Designation
1	Working attachments, loading tools*, buckets*	7	Rear axle
2	Lift arms	8	Access
3	Front lighting	9	Steering cylinder
4	Cab	10	Articulation lock
5	Front work lights	11	Front axle
6	Warning beacon	–	–



⌘

	Designation		Designation
12	Left ballast weight	19	Urea tank
13	Rear left lighting	20	Battery isolating switch
14	Protective grille	21	Rear camera
15	Engine bonnet	22	Rear right lighting
16	Rear work lights*	23	Right ballast weight
17	External mirror	24	Jacking point and lashing point
18	Fuel tank	25	Tow hitch

Overview of the work lighting and headlights



	Designation		Designation
1	Warning beacon*	7	Rear work lights*
2	Front work lights	8	Back-up light
3	Side light*	9	Brake lights, tail lights, rear turn signal indicators
4	Front turn signal indicator	10	Flashlight*
5	Front driving lights <ul style="list-style-type: none"> • Dipped beam • Side light • Main beam 	11	Numberplate lighting*
6	Vehicle front work light*	–	–

Coolant pre-heater

The coolant pre-heater pre-heats the coolant in the diesel engine at low outside temperatures. Power is supplied via a connection to the AC network.

Auxiliary heater with engine pre-heater

The auxiliary heater is intended for machine operation at low outside temperatures. The control element is located in the operator's cab to the right of the armrest.

The auxiliary heater is temperature-controlled and can be activated immediately or programmed for a specific time with the control element.

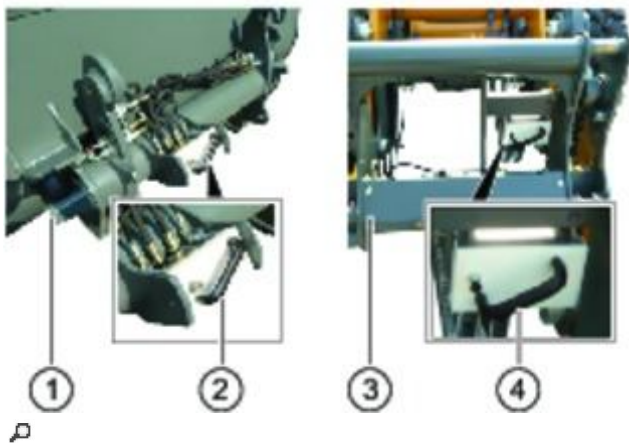
The auxiliary heater is used primarily to pre-heat the diesel engine. As soon as the coolant has been sufficiently heated, the heater fan in the operator's cab starts running. The operator's cab is heated and the cab windows are defrosted.

Weighing system

The weighing system measures the hydraulic pressure in the lifting cylinders of the lift arms and uses this as the basis for determining the weight of the bucket contents.

The weighing system can determine and add up individual bucket contents.

Tool carrier with multi-coupling



The multi-coupling is attached to the tool carrier. The hydraulic lines are connected automatically. It is no longer necessary to connect the hydraulic lines manually.

	Designation
1	Implement
2	Multi-coupling with protective cover
3	Tool carrier
4	Multi-coupling with protective cover

Crane arm

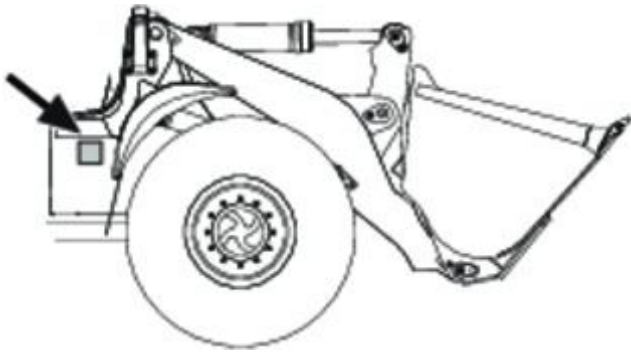


The crane arm carries load attachment devices (hooks) for transporting loads. The crane arm is attached to the tool carrier.

Reversing obstacle detector

While reversing, the reversing obstacle detector detects persons and objects inside a specific zone at the rear of the machine. If the reversing obstacle detector detects persons or objects, the system warns the driver optically and acoustically.

Position of the identification plate



p

-

Details provided on the identification plate

RAUHLADER - WHEELLOADER - CHARGEUSES SUR PNEUS			
Typ idetific Vehicle ID N° identification	①	Typ Type Type	⑥
CLAAS Maschinen Nummer CLAAS Machine No. CLAAS N° Machine	②	Baujahr Year of construction Année de construction	⑦
Technikjahr Technical year Année technique	③	Zul. Gesamtgewicht Permiss. total weight Poids admissible	⑧ kg
Reinleistung Motor Nominal engine power Puissance nom. moteur	④ kW	Zul. Achslast vord. Permiss. axle weight front Charge admise. sur ess. AV	⑨ kg
Höchstgeschwindigkeit Max. speed Vitesse max.	⑤ km/h	Zul. Achslast hinten Permiss. axle weight rear Charge admise. sur ess. AR	⑩ kg

Ⓓ

	Details provided on the identification plate
1	Vehicle identification number
2	Serial number
3	Technical year
4	Engine output
5	Top speed
6	Type
7	Construction year
8	Permissible gross weight
9	Admissible front axle load
10	Admissible rear axle load

The total weight and axle load specifications refer to driving the machine on roads.

Identification plate for the auxiliary heater*



Fabrik Schild-Duplikat 73116004
 gültig nur zusammen mit Original

Webasto (e1) (e1)
 Feel the drive
 Made in Germany 00 0005 02 1.73

HEIZGERÄT Typ	Therme90S
Spannung / El. Leistung	24 V / 53 W
Wärmestrom max.	9,1 kW
Brennstoff	Diesel
zul. Betriebsüberdruck	2 bar
Artikel Nr. 89139B	Fabr. Nr. 300812624627
Inbetriebnahmejahr	2/09

	Designation
1	Type
2	Electrical voltage/electrical output
3	Maximum heat flow
4	Fuel
5	Permissible positive operating pressure
6	Date of commissioning

Buy Now



Our support email:

ebooklibonline@outlook.com